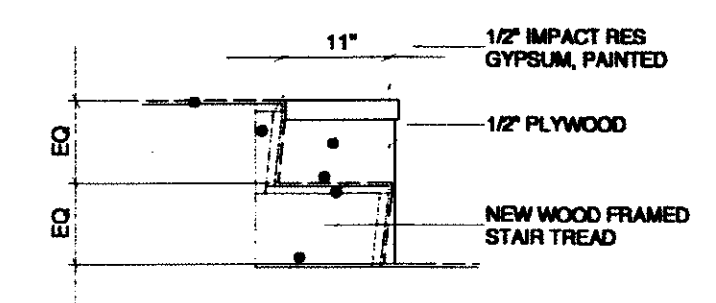
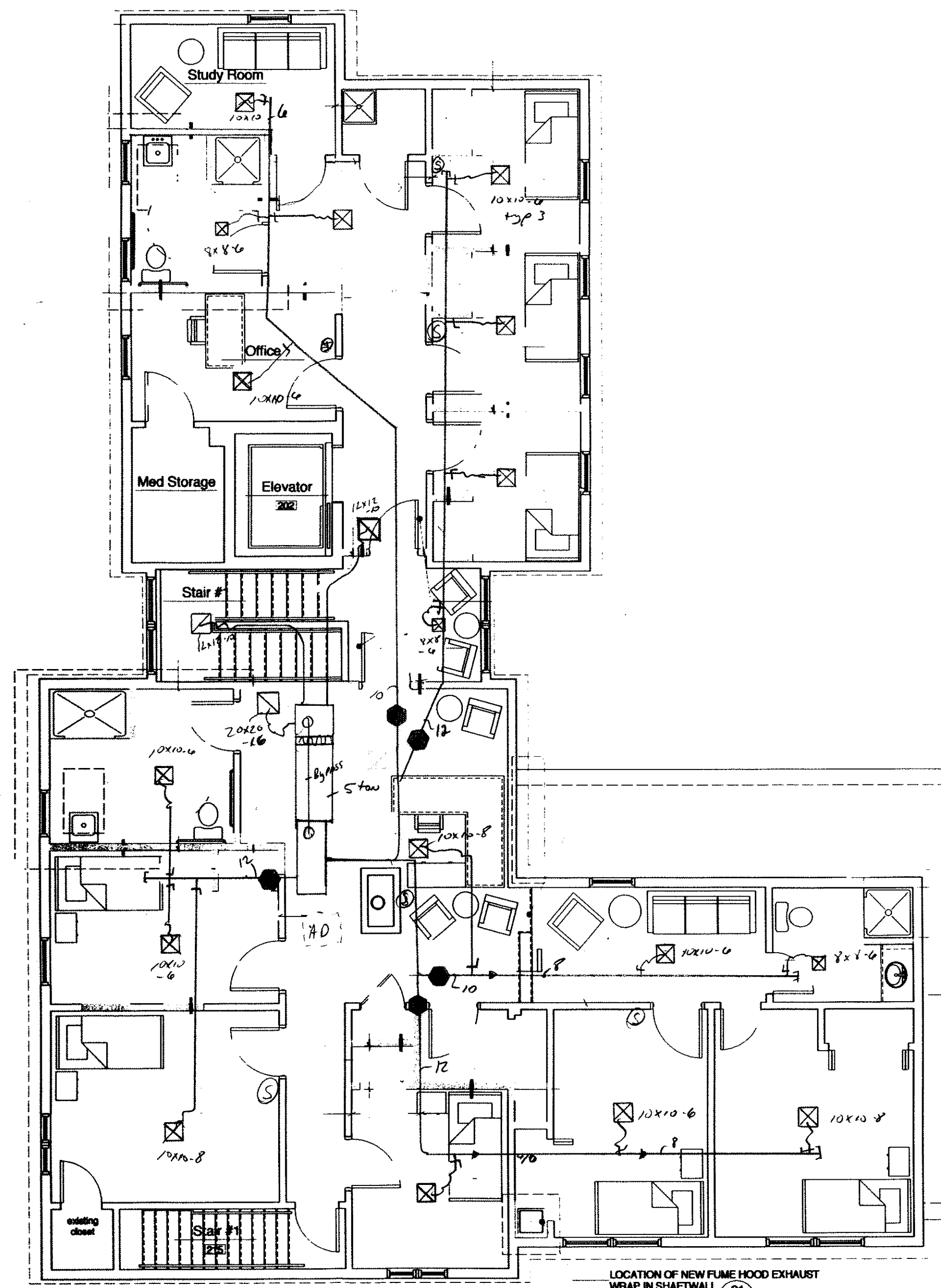


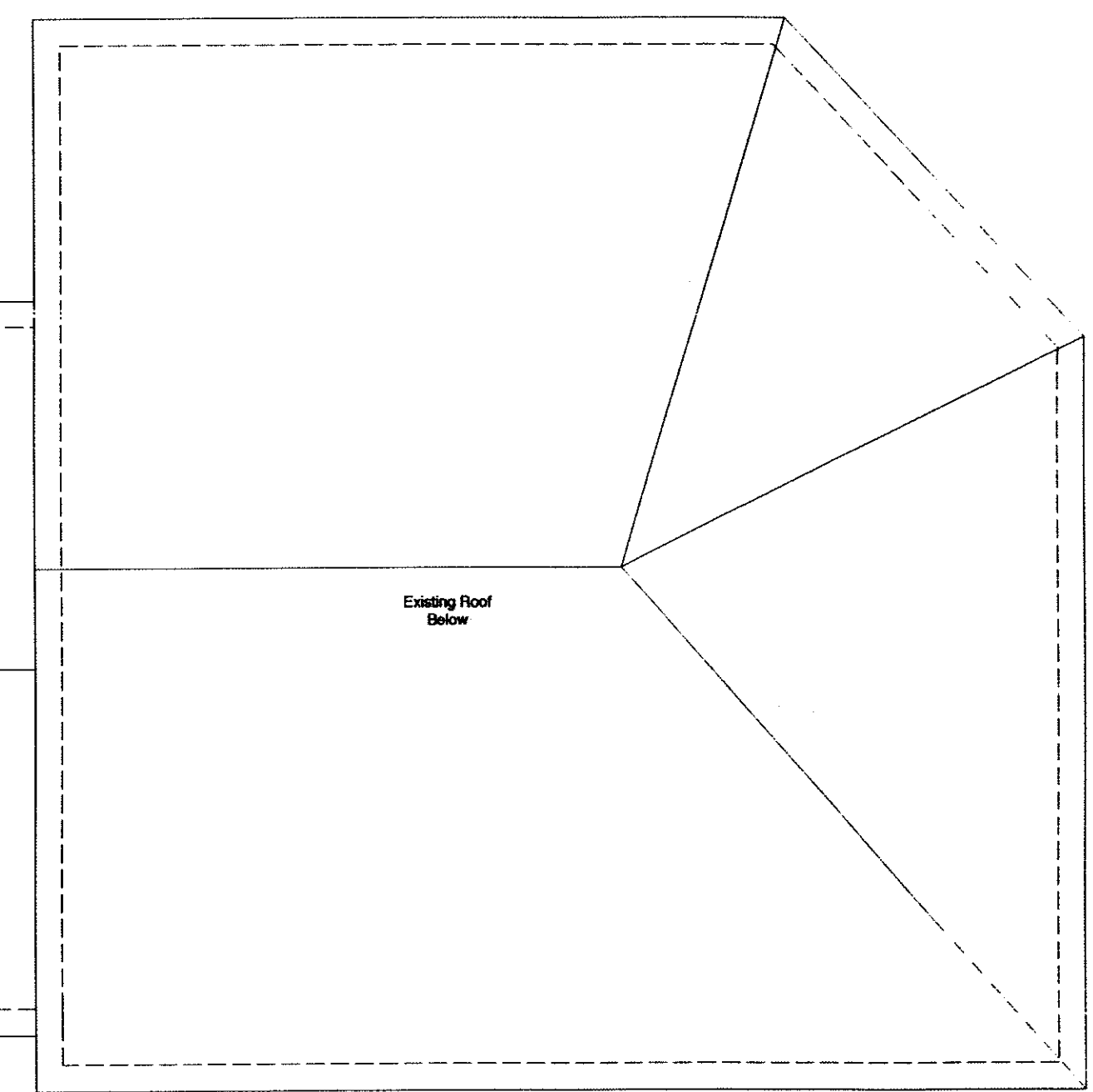
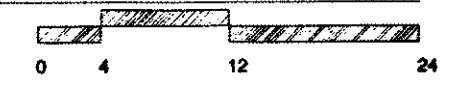
FINISH FLOORING
SEE SCHEDULE
ANGLED TREAD SHIM
PAINTED 1X4
POPLAR TRIM



20 First Floor Notation Plan



10 Second Floor Plan



LOCATION OF NEW FUME HOOD EXHAUST
WRAP IN SHAFTWALL
21
A101