

HOOD INFORMATION - Job # 2605503

HOOD NO.	TAG	MODEL	LENGTH	MAX. COOKING TEMP.	EXHAUST PLENUM RISERS(S)			TOTAL SUPPLY CFM	HOOD CONSTRUCTION	HOOD END TO END
					WIDTH	LENG.	HEIGHT DIA.			
1	Left	6024	9' 0.00"	500	2475	10"	2475	1683	430 SS	LEFT
		ND-2-PSP-F	9' 0.00"	450	1575	10"	1575	1496	Where Exposed 430 SS	RIGHT
2	Right	6024	9' 0.00"	450	1575	10"	1575	1496	Where Exposed 430 SS	ALDNE
		ND-2-PSP-F	9' 0.00"	450	1575	10"	1575	1496	Where Exposed 430 SS	ALDNE

HOOD INFORMATION

HOOD NO.	TAG	TYPE	FILTER(S)			EFFICIENCY @ 9 MICRONS	QTY.	TYPE	WIRE GUARD	LOCATION	SIZE	ELECTRICAL		FIRE SYSTEM	UTILITY CABINET(S)	FIRE SWITCHES	FIRE PIPING	HOOD SYSTEM HANGING WEIGHT
			QTY.	HEIGHT	LENGTH							MODEL #	QUANTITY					
1	Left	Captrate Solo Filter	6	20"	16'	93%	3	Screw In Compact	NO								NO	531 LBS
2	Right	Captrate Solo Filter	6	20"	16'	93%	3	Screw In Compact	NO								NO	535 LBS

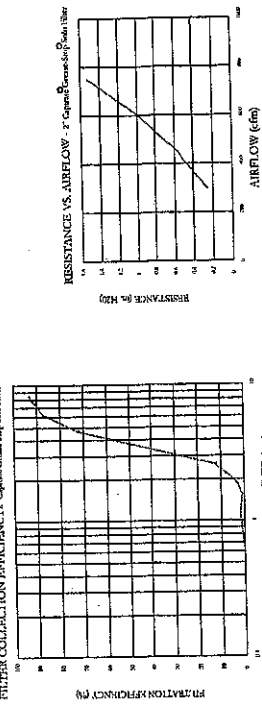
HOOD OPTIONS

HOOD NO.	TAG	OPTION
		FIELD WRAPPER 18.00" High Front, Left
		BACKSPLASH 80.00" High X 217.00" Long 430 SS Vertical
		LEFT SIDESPLASH 80.00" High X 60.00" Long 430 SS Vertical
1	Left	LEFT END STANDOFF (FINISHED) 1" Wide 60" Long Insulated
		BACKSPLASH - INSIDE CORNER 80.00" High X 2.00" Leg Length 430 SS Vertical
		BALANCE DAMPERS
		INSULATION FOR BACK OF HOOD
		FIELD WRAPPER 18.00" High Front, Right
2	Right	BALANCE DAMPERS
		INSULATION FOR BACK OF HOOD
		RIGHT WIDE VERTICAL END PANEL 42" Top Width, 36" Bottom Width, 80" High Insulated 4" Legs 430 SS

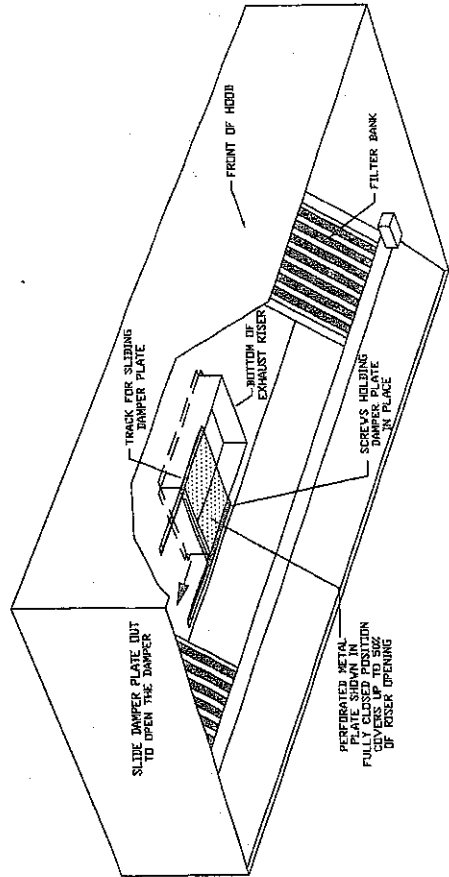
PERFORATED SUPPLY PLENUM(S)

HOOD NO.	TAG	POS.	LENGTH	WIDTH	HEIGHT	TYPE	WIDTH	LENG.	DIA.	CFM	S.P.
1	Left	Front	109"	16"	6"	MUA	10"	28"	561	0.147"	
						MUA	10"	28"	561	0.147"	
2	Right	Front	108"	16"	6"	MUA	12"	28"	748	0.181"	

SPECIFICATION: CAPTRATE® GREASE-STOP® SHIELD FILTER
 THE CAPTRATE GREASE-STOP SHIELD FILTER IS A SINGLE-STAGE FILTER FEATURING A UNIQUE S-BAFFLE DESIGN IN CONJUNCTION WITH A SLOTTED REAR BAFFLE DESIGN, TO DELIVER EXCEPTIONAL FILTRATION EFFICIENCY.
 FILTER IS STAINLESS STEEL CONSTRUCTION, AND SIZED TO FIT INTO STANDARD 2-INCH DEEP HOOD CHANNELS.
 UNITS SHALL INCLUDE STAINLESS STEEL HANDLES AND A FASTENING DEVICE TO SECURE THE TWO COMPONENTS WHEN ASSEMBLED.
 GREASE EXTRACTION EFFICIENCY PERFORMANCE SHALL REMOVE AT LEAST 75% OF GREASE PARTICLES FIVE MICRONS IN SIZE, AND 90% GREASE PARTICLES SEVEN MICRONS IN SIZE AND LARGER, WITH A CORRESPONDING PRESSURE DROP NOT TO EXCEED 1.0 INCHES OF WATER GAUGE.
 THE CAPTRATE GREASE-STOP SHIELD WAS TESTED TO ASTM STANDARD ASTM F2519-05.



CAPTRATE FILTERS ARE BUILT IN COMPLIANCE WITH:
 NFPA 996
 NSF STANDARD #42
 UL STANDARD #1046
 INT. MECH. CODE (IMC)



CUSTOMER APPROVAL TO MANUFACTURE!

Approved as Noted
 Approved with NO Exception Taken
 Re-visit and Re-submit
 SIGNATURE _____
 Your Title _____

BALANCING DAMPER DETAIL

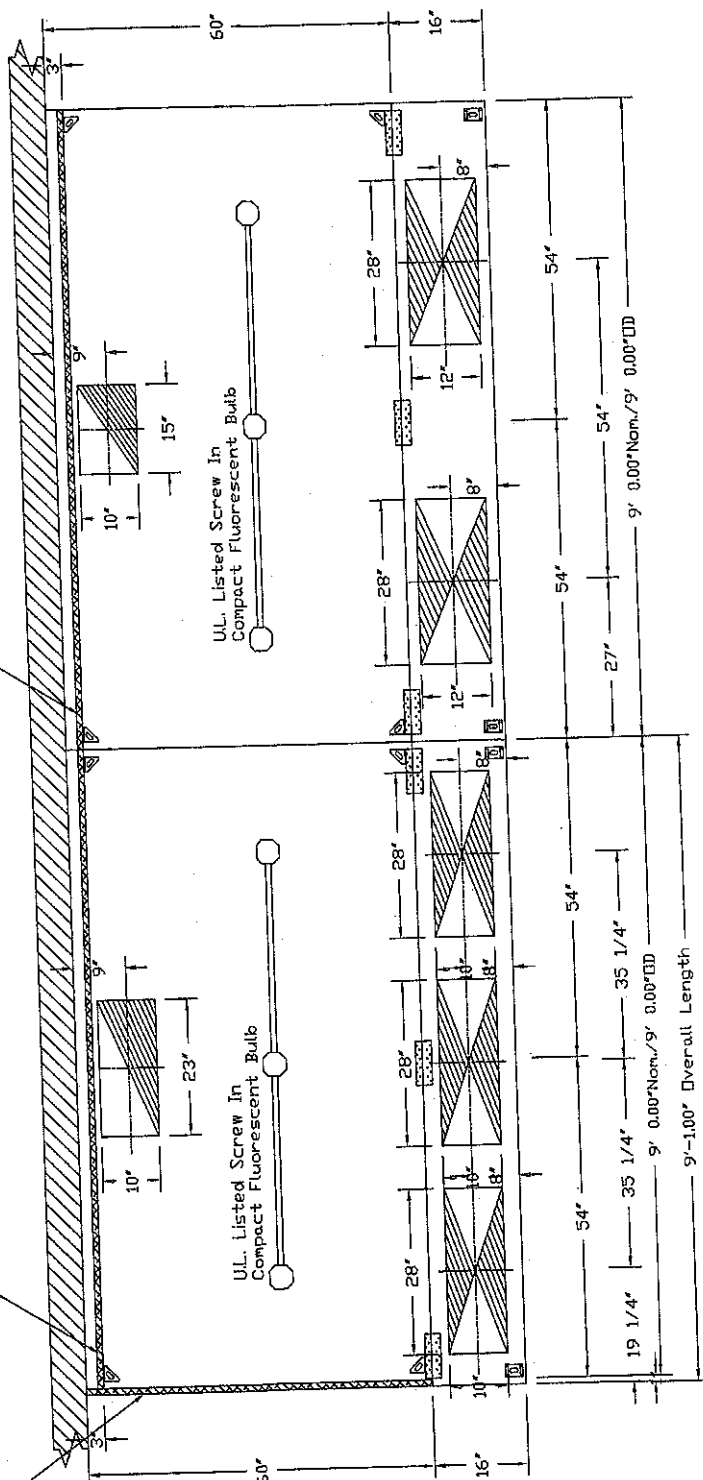


JOB: Bowl New England (nuo)
 LOCATION: WESTBROOK, ME,
 DATE: 6/16/2016
 JOB #: 2605503
 DRAWN BY: BFC-21
 DWG # 1
 SCALE: 3/8" = 1'-0"
 REV:

1" LAYER OF INSULATION FACTORY
 INSTALLED IN INTERNAL BACK STANDOFF.
 MEETS 0 INCH REQUIREMENTS FOR
 CLEARANCE TO COMBUSTIBLE SURFACES.

1" LAYER OF INSULATION FACTORY
 INSTALLED IN INTERNAL BACK STANDOFF.
 MEETS 0 INCH REQUIREMENTS FOR
 CLEARANCE TO COMBUSTIBLE SURFACES.

1" LAYER OF INSULATION
 FACTORY INSTALLED IN
 1.00" END STANDOFF MEETS
 REQUIREMENTS CLEARANCE
 TO COMBUSTIBLE SURFACES.



PLAN VIEW - Hood #2 (Right)
 9' 0.00" LONG 6024ND-2-PSP-F

PLAN VIEW - Hood #1 (Left)
 9' 0.00" LONG 6024ND-2-PSP-F

CUSTOMER APPROVAL TO MANUFACTURE:

Approved as Noted
 Approved with NO Exception Taken
 Revise and Resubmit

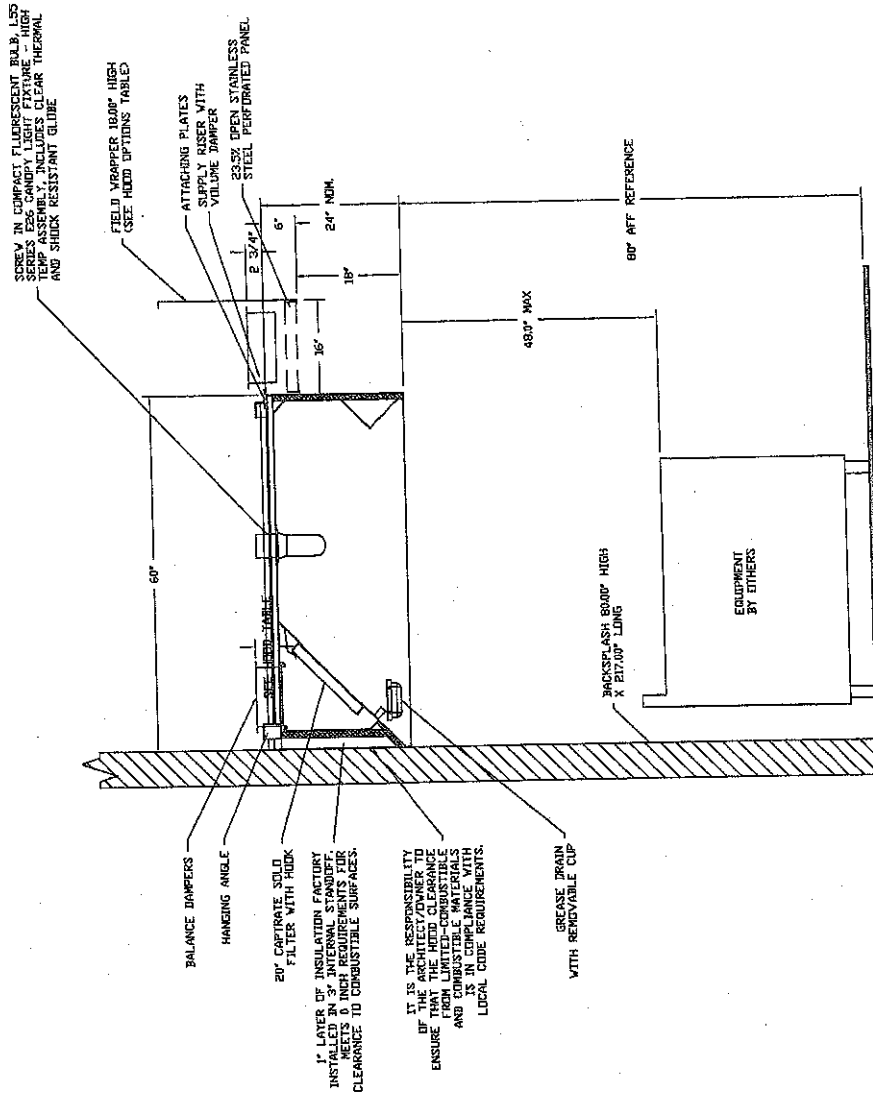
SIGNATURE _____ Date _____

Your Title _____

CAPTIVEAIRE



JOB	Bowl New England (muo)
LOCATION	WESTBROOK, ME.
DATE	6/16/2016
JOB #	2605503
DWG #	2
SCALE	3/8" = 1'-0"



SECTION VIEW - MODEL 6024ND-2-PSP-E
HOOD - #1 (left)

CUSTOMER APPROVAL TO MANUFACTURE:

Approved as Noted

Approved with NO Exception Taken

Revised and Resubmit

SIGNATURE _____ Date _____

Your Title _____



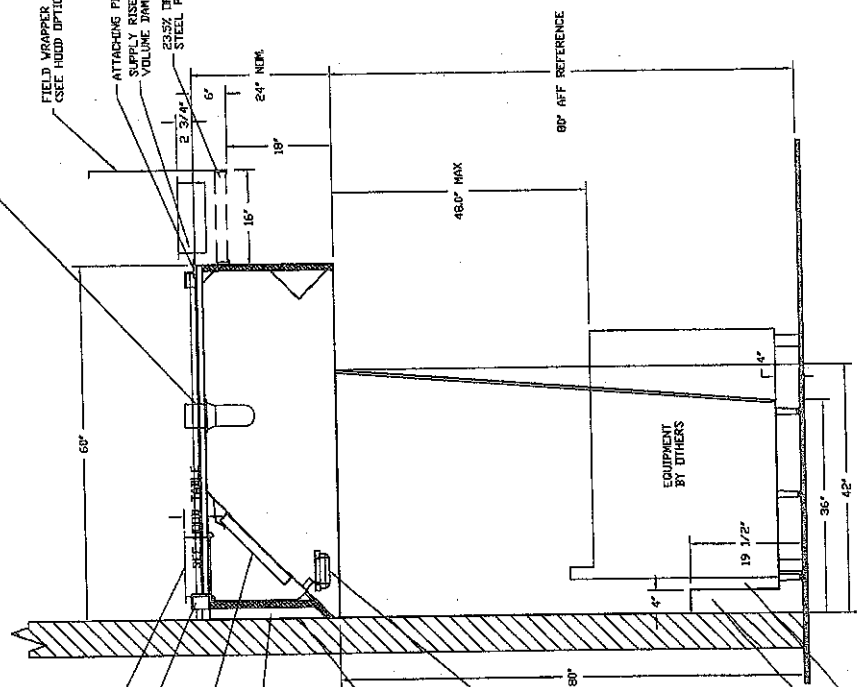
JOB Bowl New England (quo)	
LOCATION WESTBROOK, ME,	JOB # 2605503
DATE 6/16/2016	DRAWN BY BFC-el
DWG # 3	SCALE 3/8" = 1'-0"
REV.	

SCREW IN COMPACT FLUORESCENT BULB, L55 SERIES ZIG CANOPY LIGHT FIXTURE, HIGH TEMP ASSEMBLY, INDUSTRY CLEAR THERMAL AND SHOCK RESISTANT GLOBE

FIELD WRAPPER 18.00" HIGH (SEE HOOD OPTIONS TABLE)

ATTACHING PLATES SUPPORTED WITH VOLUME DIMMER

23.57" DEEP STAINLESS STEEL PERFORATED PANEL



SECTION VIEW - MODEL 6024ND-2-PSP-F HOOD - #2 (Right)

BALANCE DIMPERS

HANGING ANGLE

20" CARTRIDGE SOLD FILTER WITH HOOK

1" LAYER OF INSULATION FACTORY INSULATION STANDOFF MEETS 6" INCH REQUIREMENTS FOR CLEARANCE TO COMBUSTIBLE SURFACES

IT IS THE RESPONSIBILITY OF THE ARCHITECT/OOWNER TO ENSURE THAT THE HOOD CLEARANCE MEETS ALL APPLICABLE NATIONAL AND LOCAL CODE REQUIREMENTS.

BREASE DRAIN WITH REMOVABLE CUP

GAS CHASE CUTOUT (FOR GAS AND POWER LINES) RIGHT VIDE VERTICAL END PANEL WITH ADJUSTABLE LEGS

CUSTOMER APPROVAL TO MANUFACTURE:

Approved as Noted

Approved with NO Exception Taken

Revise and Resubmit

SIGNATURE _____ Date _____

Your Title _____

CAPTIVEAIRE



JOB	Bowl New England (muu)
LOCATION	WESTBROOK, ME.
DATE	6/16/2016
DWG #	4
JOB #	2605503
DRAWN BY	BFC-P1
REV.	SCALE 3/8" = 1'-0"

EXHAUST FAN INFORMATION - Job#2605503

FAN UNIT NO.	TAG	FAN UNIT MODEL #	CFM	ESP.	RPM	HP.	B.H.P.	Ø	VOLT	FLA	WEIGHT (LBS.)	SDNES
1		NCRA24HFA	4050	1.509	979	3.000	1.7050	1	230	17.0	299	E1

MVA FAN INFORMATION - Job#2605503

FAN UNIT NO.	TAG	FAN UNIT MODEL #	BLOWER	HOUSING	CFM	ESP.	RPM	HP.	B.H.P.	Ø	VOLT	FLA	WEIGHT (LBS.)	SDNES	BURNER EFFICIENCY(%)
2		A2-D500-G15	G15-PB	A2-D500	3179	0.500	796	2.000	1.2630	1	230	9.3	897	12.3	92

GAS FIRED MAKE-UP AIR UNIT(S)

FAN UNIT NO.	TAG	INPUT BTUs	OUTPUT BTUs	TEMP. RISE	REQUIRED INPUT PRESSURE	GAS TYPE
2		317209	291832	85 deg F	7. in. w.c. - 14. in. w.c.	Natural

FAN OPTIONS

FAN UNIT NO.	TAG	OPTION (Qty. - Descr.)
1		1 - Grease Box
		1 - 3 Year Extended Motor Warranty
		1 - Extra Set of Belts
		1 - Fan Base Ceramic Seal - For Grease Ducts
		1 - AC Interlock Relay - 24VAC Coil
		1 - Motorized Backdraft Damper for AE-J Housing
		1 - Full Crating For Commercial Heater
2		1 - Low Fire Start
		1 - Inlet Pressure Gauge, 0-35"
		1 - Manifold Pressure Gauge, -5 to 15" wc
		1 - 3 Year Extended Motor Warranty
		1 - Extra Set of Belts

FAN ACCESSORIES

FAN UNIT NO.	TAG	EXHAUST	SUPPLY
1		GREASE CUP	GRAVITY DAMPER
		WALL MOUNT	MOTORIZED DAMPER
		YES	YES
2			

CURB ASSEMBLIES

DN FAN NO.	ITEM	SIZE
1 # 1	Curb	31.500"W x 31.500"L x 24.000"H
2 # 2	Curb	31.000"W x 79.000"L x 24.000"H

ROOF PITCH FOR CURB(S) MUST BE SPECIFIED PRIOR TO RELEASING ORDER

---:12

CUSTOMER APPROVAL TO MANUFACTURE:

Approved as Noted

Approved with NB Exception Taken

Revise and Resubmit

SIGNATURE _____ Date _____

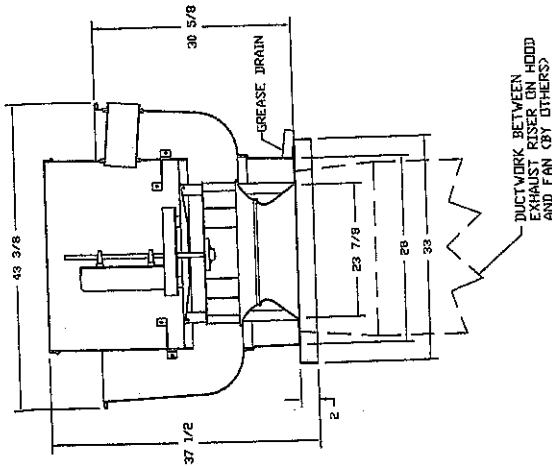
Your Title _____



CAPTIVE AIR

JOB: Bowl New England (muo)
 LOCATION: WESTBROOK, ME.
 DATE: 6/16/2016
 DWG # 5
 JOB # 2605503
 DRAWN BY BFC-21
 SCALE 3/8" = 1'-0"

FAN #1_NCA24HPFA - EXHAUST FAN



FEATURES:

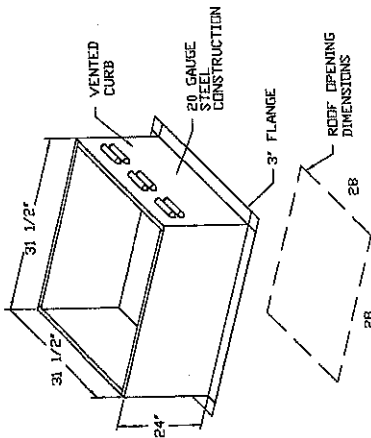
- ROOF MOUNTED FANS
- RESTAINING MODEL
- ULCS AND UL722
- ULCS SOUND AND AIR CERTIFIED
- WIRING FROM MOTOR TO DISCONNECT SWITCH
- WEATHERPROOF DISCONNECT
- HIGH HEAT OPERATION 300°F (149°C)
- GREASE CLASSIFICATION TESTING

NORMAL TEMPERATURE TEST
 EXHAUST FAN MUST OPERATE CONTINUOUSLY
 WHILE EXHAUSTERS HAVE REACHED
 UNTIL ALL INTERNAL PARTS HAVE REACHED
 NORMAL EQUILIBRIUM, AND WITHOUT ANY
 DEGRADING EFFECTS TO THE FAN WHICH
 WOULD CAUSE UNSAFE OPERATION.

ABNORMAL FLARE-UP TEST
 EXHAUST FAN MUST OPERATE CONTINUOUSLY
 WHILE EXHAUSTERS BURNING GREASE VAPORS
 AT 300°C (572°F) FOR A PERIOD OF
 15 MINUTES WITHOUT THE FAN BECOMING
 DAMAGED TO ANY EXTENT THAT COULD CAUSE
 AN UNSAFE CONDITION.

OPTIONS:

- GREASE BOX
- 3 YEAR EXTENDED MOTOR WARRANTY
- EXTRA SET OF BELTS
- FAN BASE CERAMIC SEAL - FOR GREASE DUCTS



PITCHED CURBS ARE AVAILABLE
 FOR PITCHED ROOFS.
 SPECIFY PITCH.
 EXAMPLE: 7/12 PITCH = 30° SLOPE



CUSTOMER APPROVAL TO MANUFACTURE:

as Noted

with NO Exception Taken

and Resubmitt

RE _____ Date _____

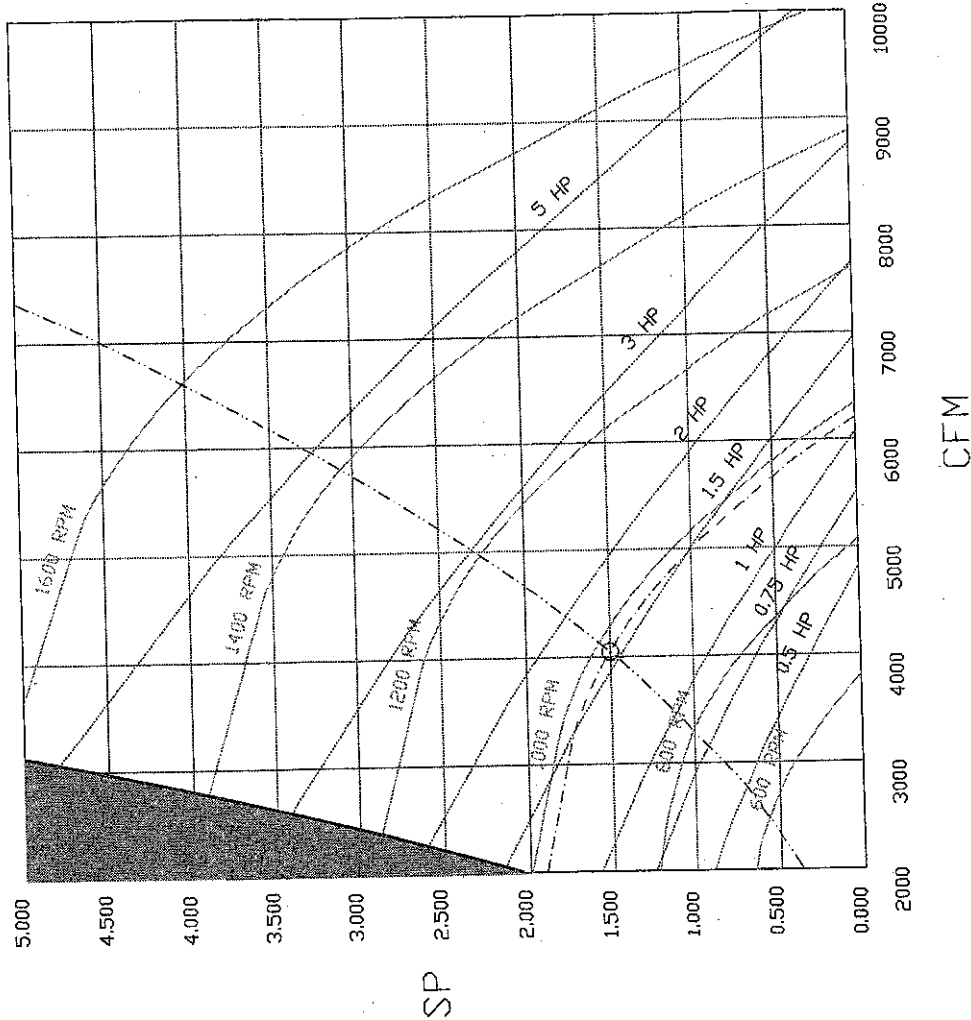


CAPTIVEAIRE

JOB Bowl New England (mua)	
LOCATION WESTBROOK, ME.	JOB # 2605503
DATE 6/16/2016	DRAWN BY BFC-21
DWG # 6	SCALE 3/8" = 1'-0"
REV.	

FAN#1 - EXHAUST PERFORMANCE CURVES.

4050 CFM, 1.5 SP @ 979 RPM and 1.705 BHP at 59 feet and 70 deg F
 * Please note that these curves were adjusted for job specific temperature and altitude.



CUSTOMER APPROVAL TO MANUFACTURE:

Approved as Noted
 Approved with NO Exception Taken
 Revise and Resubmit

SIGNATURE _____ Date _____
 Your Title _____



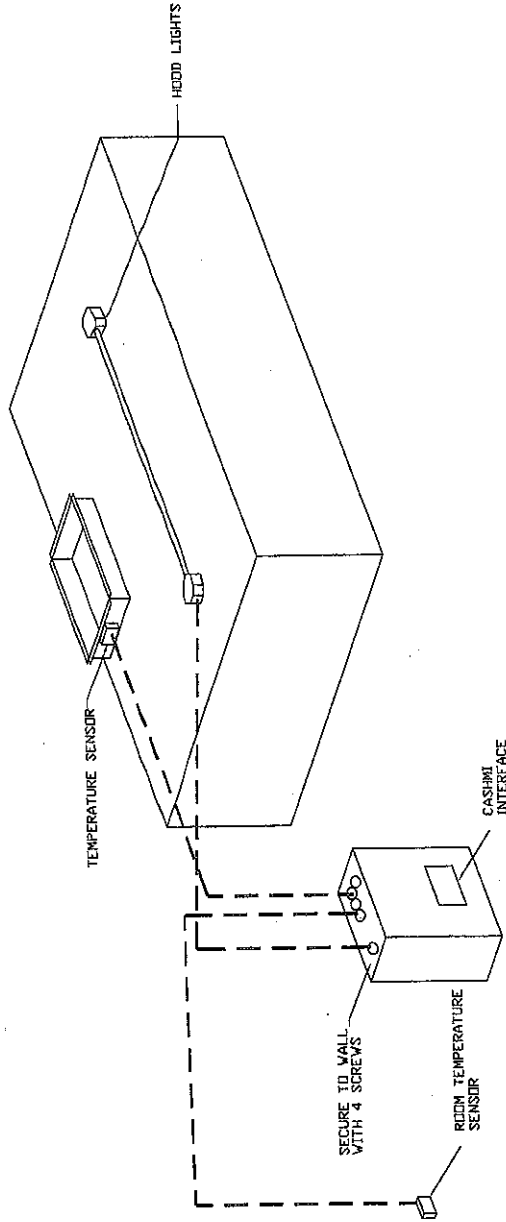


CAPTIVEAIRE

JOB	Bowl, New England (nuu)
LOCATION	WESTBROOK, ME.
DATE	6/16/2016
DWG #	7
REV.	
JOB #	2605503
DRAWN BY	BFC-EI
SCALE	3/8" = 1'-0"

ELECTRICAL PACKAGES - Job#2605503

NO.	TAG	PACKAGE #	LOCATION	SWITCHES		OPTION	FANS CONTROLLED				
				LOCATION	QUANTITY		TYPE	? HP.	VOLT.	FLA	
1		SC-21110FP	Wall Mount in SS Box	SS Wall Mount Box	1 Light	Smart Controls Thermostatic Control	Exhaust	1	3000	230	17.0
			Wall Mount in SS Box	SS Wall Mount Box	1 Fan		Supply	1	2000	230	9.3



WALL MOUNTED CONTROL CENTER

CUSTOMER APPROVAL TO MANUFACTURE:

- Approved as Noted
- Approved with NO Exception Taken
- Re-Vis and Resubmit

STAMPED _____
 Your Title _____ Date _____

CAPTIVEAIR



JOB: Bowl New England (mua.)

LOCATION: WESTBROOK, ME.

DATE: 6/16/2016

DWG # 9

REV.

JOB # 2605503

DRAWN BY BFC-21

SCALE 3/8" = 1'-0"

23
22
21
20
19
18
17
16
15
14
13
12
11
10
9
8
7
6
5
4
3
2
1

WIRE COLOR
 BK - BLACK
 YV - YELLOW
 GR - GREEN
 BR - BLUE
 BR - BROWN
 GR - GRAY
 PR - PURPLE
 DR - ORANGE
 RD - RED
 PK - PINK
 WH - WHITE

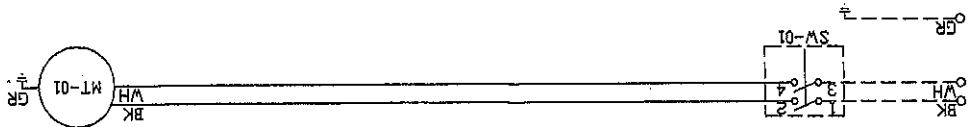
NOTES
 - - - - DENOTES FIELD WIRING
 _____ DENOTES INTERNAL WIRING

ELECTRICAL INFORMATION
 MOTOR/CTRL MOP 35A
 MOTOR/CTRL MOP 35A

MOTOR INFO
 EXHAUST 3HP-230V-1P-17.0FLA

Component Identification
 Label Description Location
 MT-01 Fan Motor [2]
 SW-01 Main disconnect switch [2]

Installed Options



JOB 2605503 - Bowl New England (nuo)

DRAWING NUMBER DF2605503-2
 SHIP DATE 6/16/2016
 MODEL A2-D500-G16

ATTENTION ELECTRICIAN!
 DROP FOR DISCONNECT CONNECTION
 IS FACTORY SUPPLIED
 CONNECT POWER TO THE DROP

Installed Options

Motorized Back Draft Damper

Discharge Temp. Control

24V AC Interlock Relay

Component Identification
 Label Location Legend

FR-01 Flame rod FSC-01
 1160 111-140
 NA-01 Modulating amplifier
 1196

MT-01 Supply motor
 120
 MT-02 Damper motor
 120
 DL-01 Supply motor overload
 120170

PS-01 Low Airflow Switch
 120
 PS-02 High Airflow Switch
 120

RE-10 AC Interlock Relay
 11001170

ST-01 Supply motor contactor
 120170290
 SW-01 Main disconnect switch
 120
 SW-03 Damper end limit switch
 140

TR-01 Power transformer(200v)
 110
 TR-02 Power transformer(200v)
 110
 TR-03 Ignition transformer
 110
 TR-04 Power transformer(200v)
 110

TS-02 High temp limit switch
 110
 TS-03 Intake Air Sensor
 110
 TS-05 Discharge Air Sensor
 1211

VA-01 Pilot gas valve
 1130
 VA-02 Main gas valve
 1160
 VA-03 Modulating gas valve
 1200

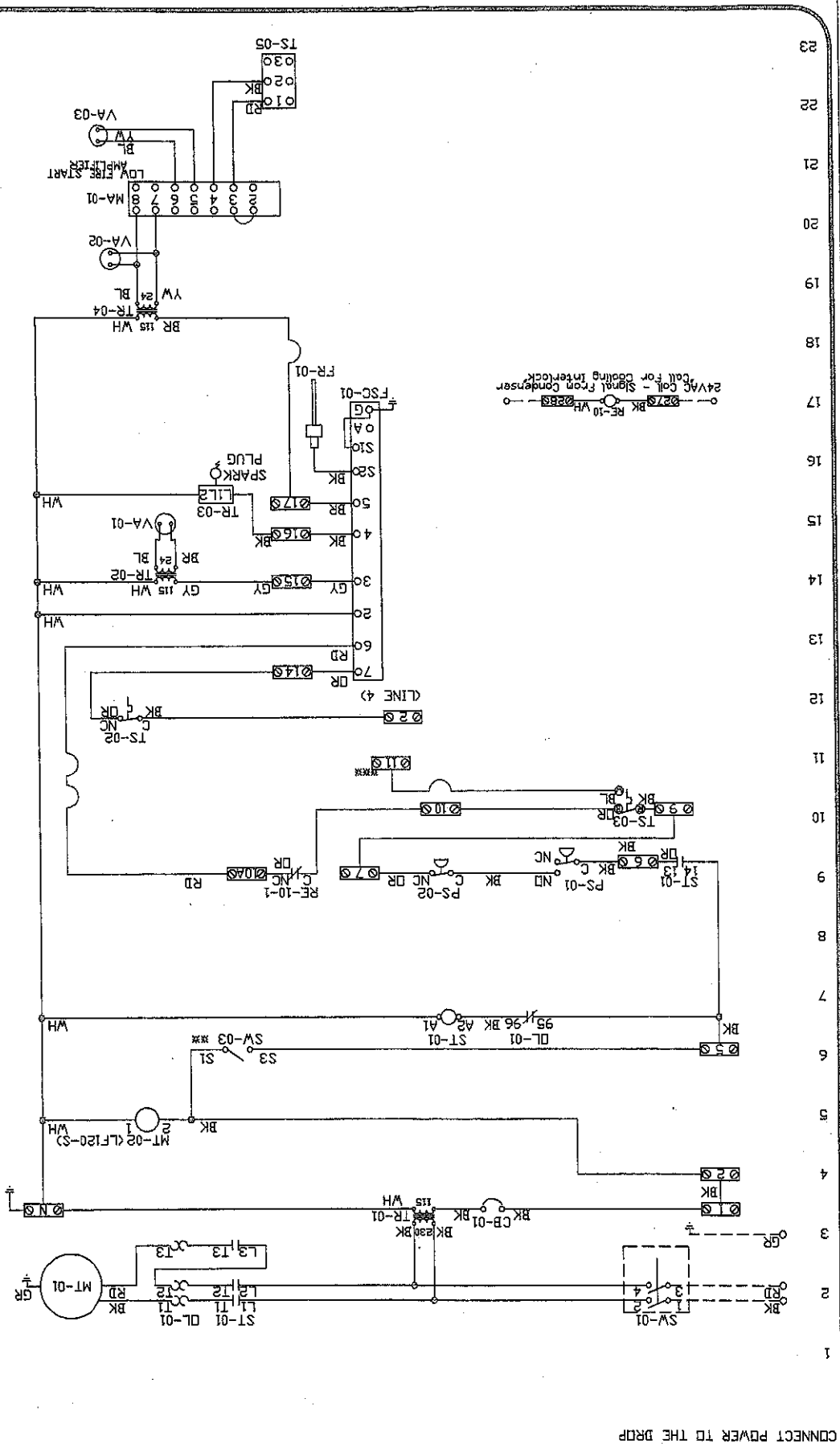
MOTOR INFO
 SUPPLY 2HP-230V-1P-9.3FLA
 CONTACTOR 100-K12D10
 OVERLOAD 193-KC10

ELECTRICAL INFORMATION
 MOTOR/CTRL CIRCUIT MCA 12.7A
 MOTOR/CTRL CIRCUIT MDP 20A

NOTES
 --- DENOTES FIELD WIRING
 --- DENOTES INTERNAL WIRING

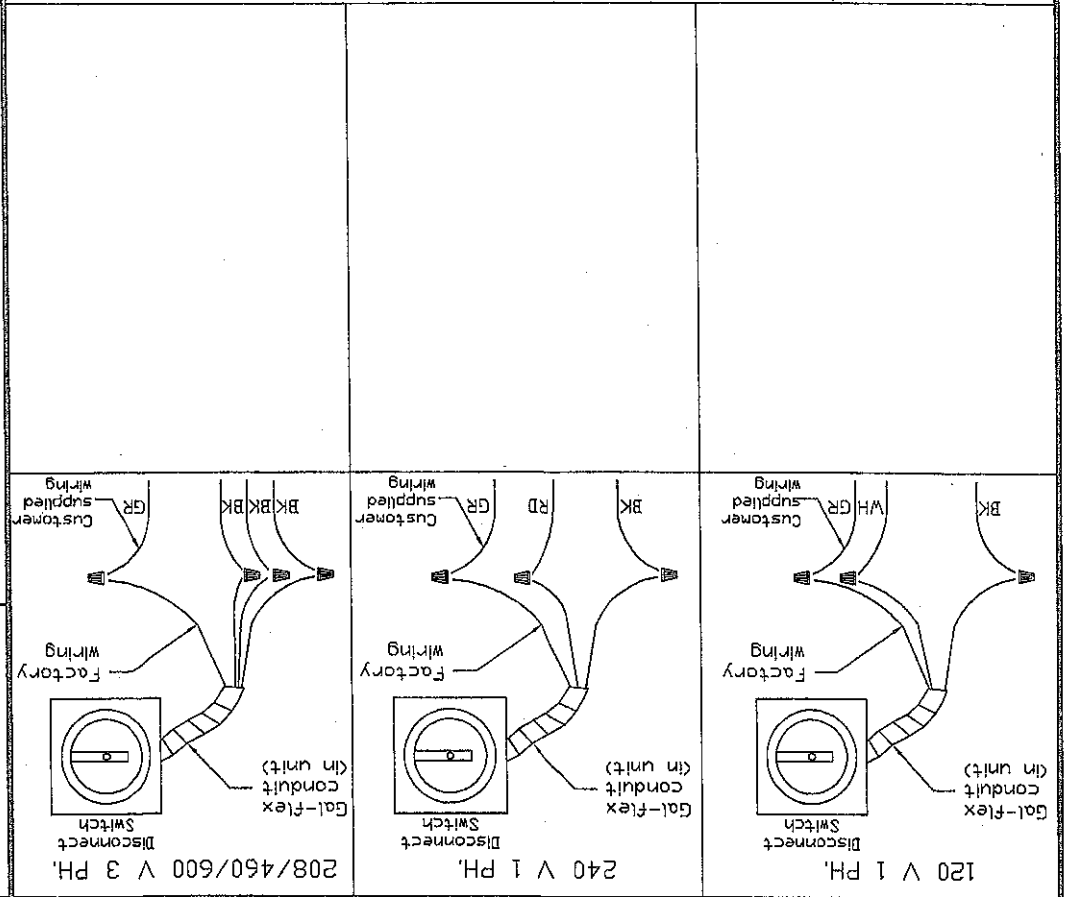
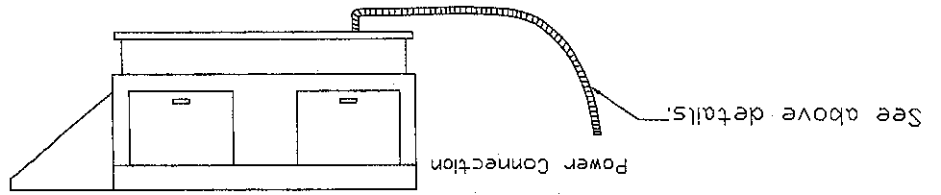
*** TERMINALS S4 AND S6 USED ON
 NF & AF SERIES ACTUATORS
 *** TERMINAL 11 PROVIDES COOLING
 CONNECTION

5	DR - ORANGE PR - PURPLE
4	BR - BROWN GR - GRAY
3	BK - BLACK GR - GREEN
2	RD - RED YV - YELLOW
1	WH - WHITE
0	PK - PINK
6	CM - COMMON



- WIRE COLOR
- BK - BLACK
 - YV - YELLOW
 - GR - GREEN
 - BL - BLUE
 - BR - BROWN
 - GY - GRAY
 - OR - ORANGE
 - PR - PURPLE
 - RD - RED
 - PK - PINK
 - WH - WHITE

NOTES



Installed Options

JOB	2605503 - Bowl New England (ma)
DRAWING NUMBER	RP2605503-2
SHIP DATE	6/16/2016
MODEL	A2-D-500-G16

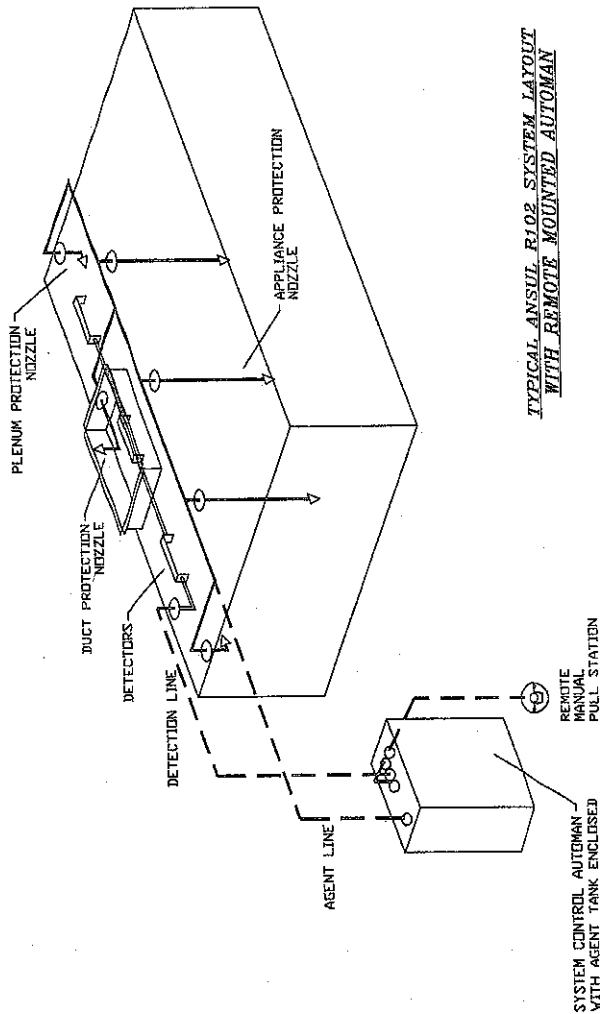
SPECIFICATIONS

THE RESTAURANT FIRE SUPPRESSION SYSTEM SHALL BE THE PRE-ENGINEERED TYPE WITH A FIXED NOZZLE AGENT DISTRIBUTION NETWORK. IT SHALL BE LISTED WITH UNDERWRITERS LABORATORIES, INC. (UL)

THE SYSTEM SHALL BE CAPABLE OF AUTOMATIC DETECTION AND ACTUATION WITH LIQUID OR REMOTE MANUAL ACTUATION. ACCESSORIES SHALL BE AVAILABLE FOR MECHANICAL OR ELECTRICAL GAS LINE SHUT-OFF APPLICATIONS.

THE EXTINGUISHING AGENT SHALL BE A POTASSIUM CARBONATE, POTASSIUM ACETATE-BASED FORMULATION DESIGNED FOR FLAME INHIBITION AND SECUREMENT OF GREASE RELATED FIRES. IT SHALL BE AVAILABLE IN PLASTIC CONTAINERS WITH INSTRUCTIONS FOR LIQUID AGENT HANDLING AND USAGE.

THE REGULATED RELEASE MECHANISM SHALL BE COMPATIBLE WITH A FUSIBLE LINK DETECTION SYSTEM. THE FUSIBLE LINK SHALL BE SELECTED AND INSTALLED ACCORDING TO THE OPERATING TEMPERATURE IN THE VENTILATING SYSTEM. THE FUSIBLE LINK SHALL BE SUPPORTED BY A DETECTOR BRACKET/LINKAGE ASSEMBLY.



**TYPICAL ANSUL R102 SYSTEM LAYOUT
WITH REMOTE MOUNTED AUTOMAN**

CUSTOMER APPROVAL TO MANUFACTURE:

Approved as Noted

Approved with NO Exception Taken

Revise and Resubmit

SIGNATURE _____

Your Title _____

Date _____



CAPTIVEAIRE

JOB: Bowl New England (nuu)	
LOCATION: WESTBROOK, ME.	
DATE: 6/16/2016	JOB #: 2605503
DWG #: 13	DRAWN BY: BFC-21
REV.	SCALE: 3/8" = 1'-0"

FACTORY WIRING SCHEMATIC CIRCUIT BOARDS
ECPM03 Rev. 136
HMI Rev. 106

68-VAC RELAY	RD-X	24 VDC RELAY	NO	14	NO
	14		NC	2	NC
	1		COM	1	COM
	2		COM	2	COM
	3		COM	3	COM
	4		COM	4	COM
	5		COM	5	COM

COMPONENT LIST

LABEL	DESCRIPTION	QUANTITY
ST-X	Switches	
DL-X	Overload Relays	
C-X	Contactors	
PS-1	Power Supplies	
RA-x	Relays	
RD-x	Relays	

LEGEND

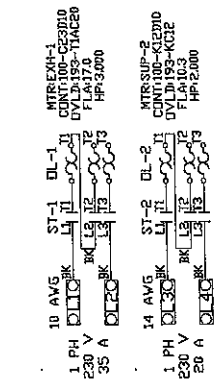
FACTORY WIRING

BK	BLACK	YV	YELLOW
BL	BLUE	GN	GREEN
BR	BROWN	PR	PURPLE
DR	DRAWN	RD	RED
WH	WHITE		
DR/BL	DRY/BL STRIPE		
BL/WH	BL/WH STRIPE		
RD/WH	RD/WH STRIPE		
WH/BL	WH/BL STRIPE		

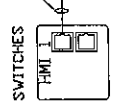
SEE NAME
Boal, New England, Inc.
 DRAWING TITLE
SC-21110FP
 DESCRIPTION OF OPERATION
 220V 1 Phase w/ control
 Supply Power to
 Supply Exhaust on
 In Fire, Lights out in
 Fire, Furnace On/Off
 Controlled
 Controlled
 temperature sensor
 shipped loose for field
 installation.

DESIGN NO.	26055103	DRAWN BY	
DATE	5/16/2016	CHECKED BY	
PROJECT	FACTORY	REV.	
GROUP	NO ECP	HEET	#1-2

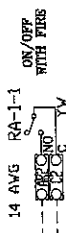
MOTOR POWER CIRCUIT



PUT END OF LINE PLUG IN
 EMPTY RJ45 JACKS. P/N: EDLEDA
 CAT-5 CABLE LENGTH AS REQUIRED.

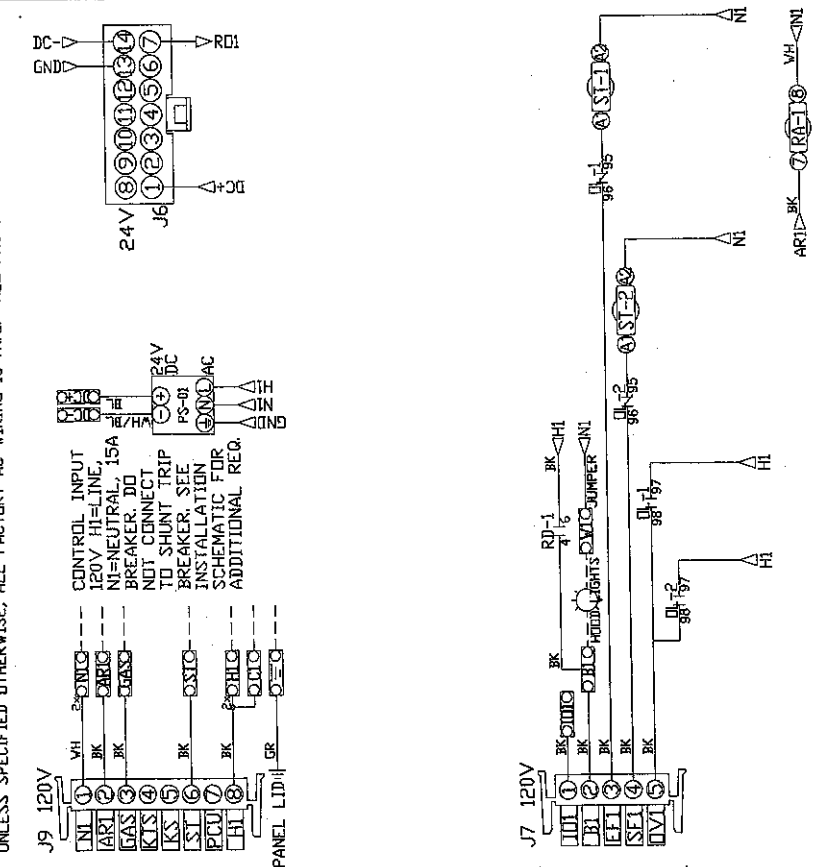


DRY CONTACTS (SHOWN DE-ENERGIZED)



14 x 18 x 6 Box

UNLESS SPECIFIED OTHERWISE, ALL FACTORY AC WIRING 16 AVG. ALL FACTORY DC WIRING 18 AVG.



CONTROL INPUT
 120V HI-LINE, 15A
 NI=NEUTRAL, 15A
 BREAKER, DO NOT CONNECT TO SHUNT TRIP BREAKER, SEE INSTALLATION SCHEMATIC FOR ADDITIONAL REQ.

DC-10
 PS-01