

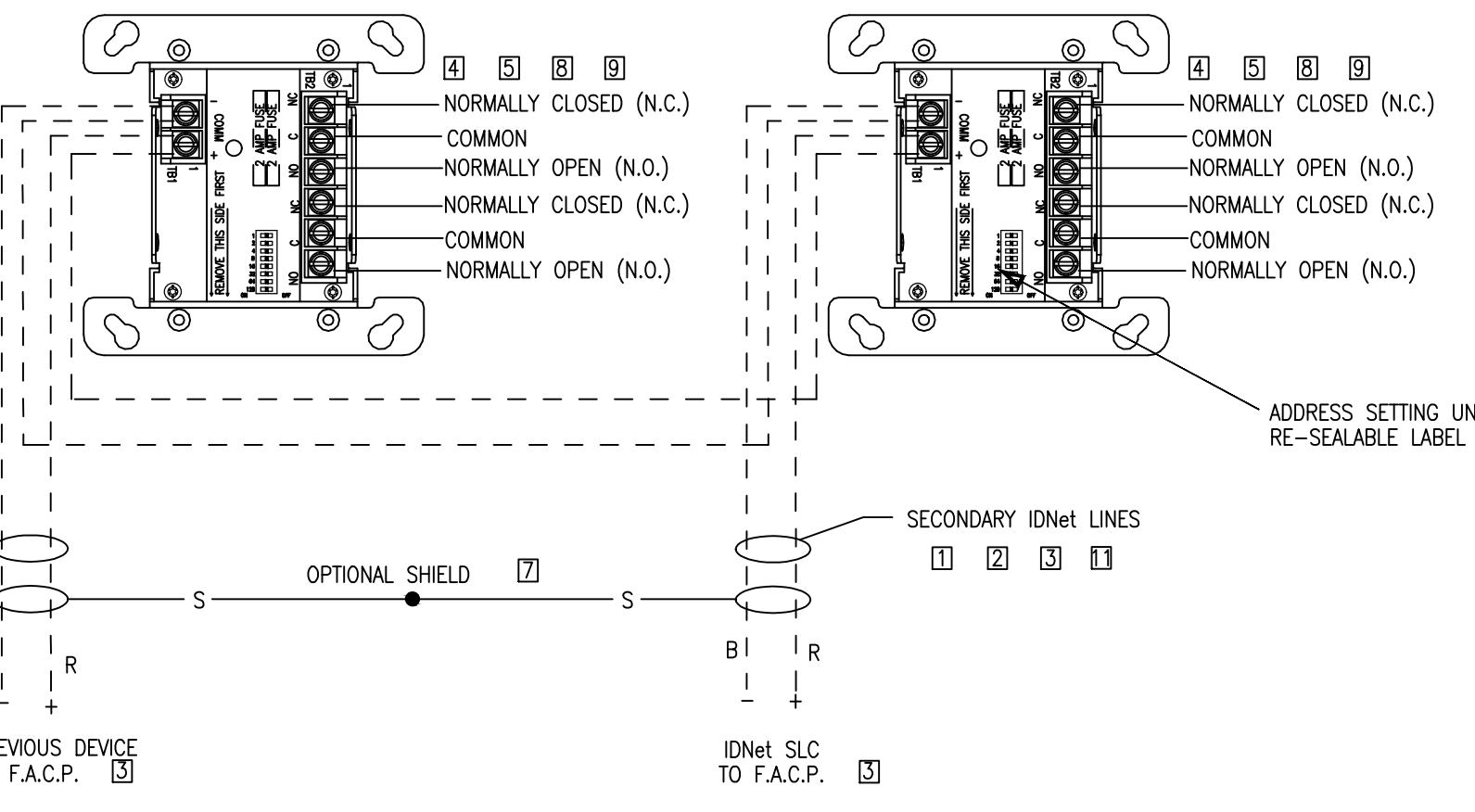
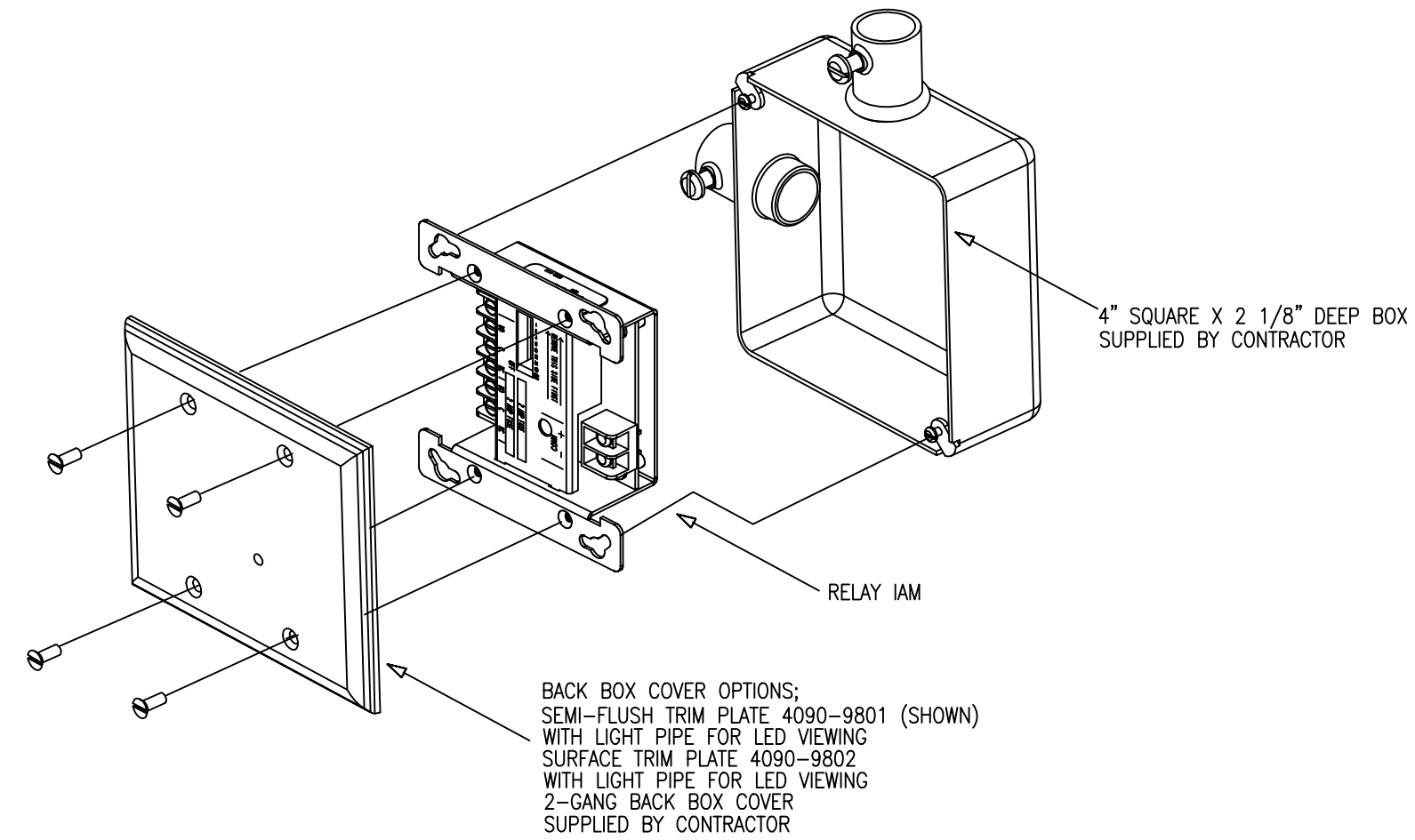
PRODUCT INFORMATION

4090-9008 IDNet SLC, DUAL RELAY, ADDRESSABLE OUTPUT MODULE (AOM)

- FEATURES:
- UL LISTED
  - A SINGLE ADDRESSABLE POINT BOTH CONTROLS TWO 2A FORM "C" CONTACT AND TRACKS ITS STATUS
  - COMPATIBLE WITH SIMPLEX MODEL 4010 AND 4100 ADDRESSABLE FIRE ALARM CONTROL PANEL
  - LATCHING RELAY DESIGN ALLOWS DATA AND POWER TO BE BOTH SUPPLIED BY IDNet SLC COMMUNICATIONS
  - COMPACT, SEALED CONSTRUCTION:
    - SCREW TERMINALS FOR WIRING CONNECTIONS
    - REDUCES DUST INFILTRATION
- SPECIFICATIONS:
- RELAY IAM POWER: SUPPLIED BY IDNet SLC COMMUNICATIONS
  - RELAY AOM CONTACTS (FORM "C", SPDT)
  - POWER LIMITED RATING: 2A @ 24VDC, TRANSIENT SUPPRESSED LOADS, 1A @ 24VDC FOR INDUCTIVE LOADS
  - NON POWER LIMITED RATING: 1/2A @ 24VAC, TRANSIENT SUPPRESSED LOADS, 1A @ 24 VDC FOR INDUCTIVE LOADS
  - WIRE CONNECTIONS: SCREW TERMINALS FOR IN/OUT WIRING, #18 TO #14 AWG WIRE
  - COMPATIBLE WITH SIMPLEX 2081-9044 OVER VOLTAGE PROTECTORS
  - DIMENSIONS: 4 1/8" H x 4 1/8" W x 1 3/8" D (105mm x 105mm x 35mm)
  - HOUSING MATERIAL: BLACK THERMOPLASTIC
  - MOUNTING PLATE MATERIAL: SHEET METAL, GALVANIZED
  - TEMPERATURE RANGE: 32° F TO 120° F (0° C TO 49° C) INTENDED FOR INDOOR OPERATION
  - HUMIDITY RANGE UP TO 93% RH AT 100° F (38° C)

DESCRIPTION:  
IDNet SLC RELAY MODULES ALLOW THE SIMPLEX FIRE ALARM CONTROL PANEL TO CONTROL A REMOTELY LOCATED FORM "C" CONTACT USING IDNet ADDRESSABLE SLC COMMUNICATIONS FOR BOTH DATA AND POWER. TYPICAL APPLICATIONS WOULD BE FOR SWITCHING LOCAL POWER FOR CONTROL FUNCTIONS SUCH AS ELEVATOR CAPTURE, OR CONTROL OF HVAC COMPONENTS, PRESSURIZATION FANS, DAMPERS, ETC. RELAY STATUS IS ALSO COMMUNICATED REQUIRING ONLY ONE DEVICE ADDRESS.

- WIRING NOTES:
- IDNet SLC LINES ARE TO BE #18 AWG TWISTED PAIR (CONSULT SC SALES ENGINEERING FOR EXCEPTIONS) SHIELD RECOMMENDED.
  - MAXIMUM ALLOWABLE LINE RUN, FROM THE F.A.C.P. TO THE FARTHEST DEVICE, NOT TO EXCEED 2500 FEET.
  - MAXIMUM QUANTITY OF DEVICES PER CIRCUIT: CONTROL PANEL MODULE DEPENDENT.
  - CONTRACTOR WIRING TO RELAY CONTACTS IS UNSUPERVISED. USE #14 AWG WIRE TO LOCAL CODE.
  - RELAY CONTACTS RATED 2A, 24VDC (1A FOR INDUCTIVE LOAD) RELAY CONTACTS RATED 0.5A 120VAC (NON POWER LIMITED) FOR POWER-LIMITED OPERATION, POWER MUST BE PROVIDED FROM FACP OR POWER-LIMITED POWER SUPPLY LISTED FOR FIRE PROTECTIVE SIGNALING USE.
  - SEE INSTALLATION INSTRUCTIONS 574-184.
  - IF SHIELD IS PRESENT, CONNECT TO THE OUTGOING IDNet SHIELD TO PROVIDE A CONTINUOUS SHIELD OVER THE LENGTH OF THE IDNet CHANNEL. METHOD OF SPLICE DETERMINED BY AHJ.
  - WHEN CONNECTED TO A NON POWER-LIMITED SOURCE, THE WIRING MUST MAINTAIN A MINIMUM 1/4 INCH SEPARATION FROM IDNet WIRING.
  - WHEN USED WITH NON POWER-LIMITED SOURCE, THE "POWER LIMITED WIRING" INDICATION ON THE DEVICE LABEL MUST BE OBLITERATED.
  - WHEN BOTH POWER-LIMITED AND NON POWER-LIMITED SOURCES ARE PRESENT, USE TYPE FPL, FPLR OR FPLP POWER LIMITED CABLE FOR POWER-LIMITED CIRCUITS.
  - MAXIMUM TOTAL WIRE (INCLUDING ALL T-TAPS) ON CIRCUIT, FROM THE F.A.C.P. NOT TO EXCEED 10,000 FEET OR .58uF. (CLASS B ONLY) REFER TO FIELD WIRING DIAGRAM 842-073



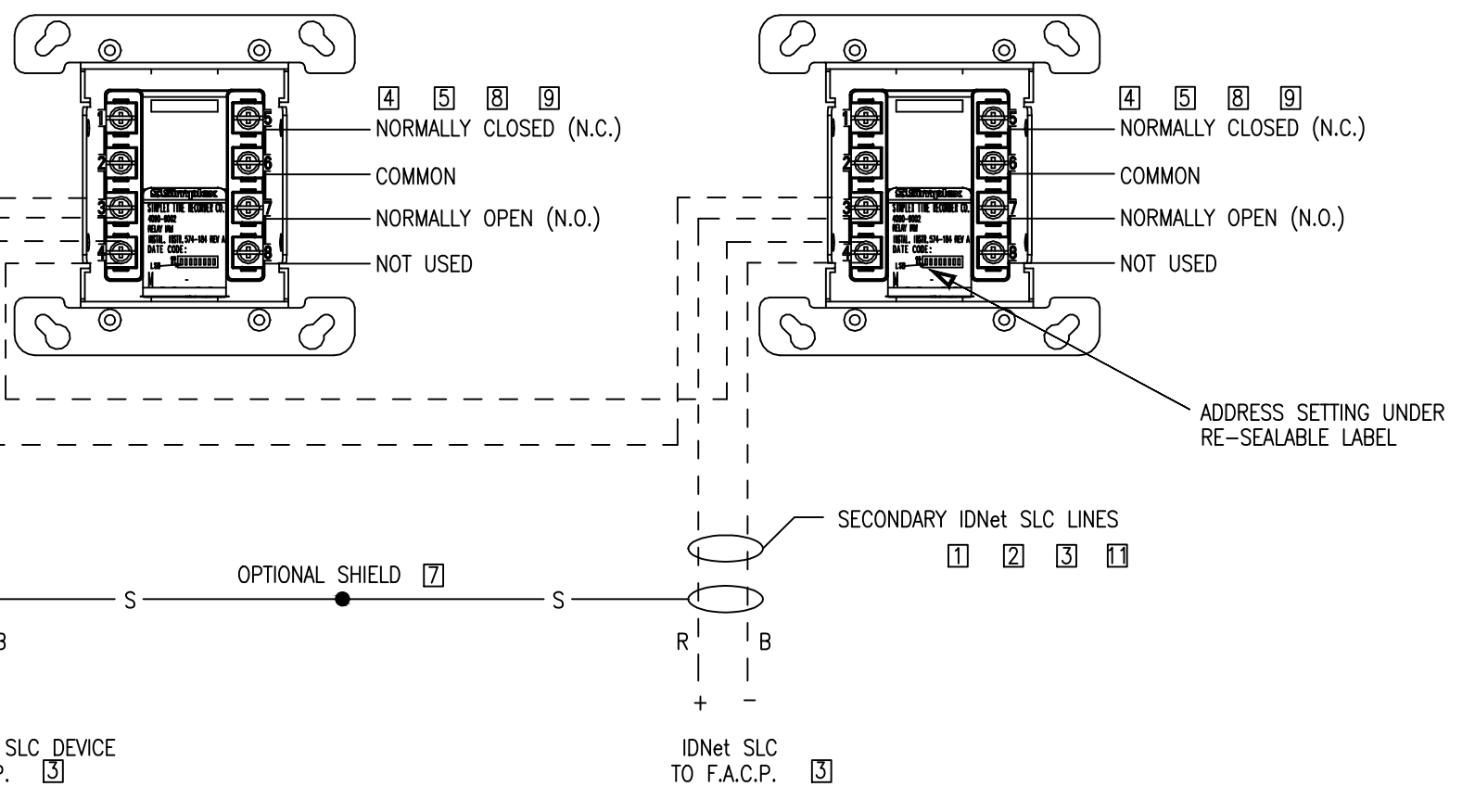
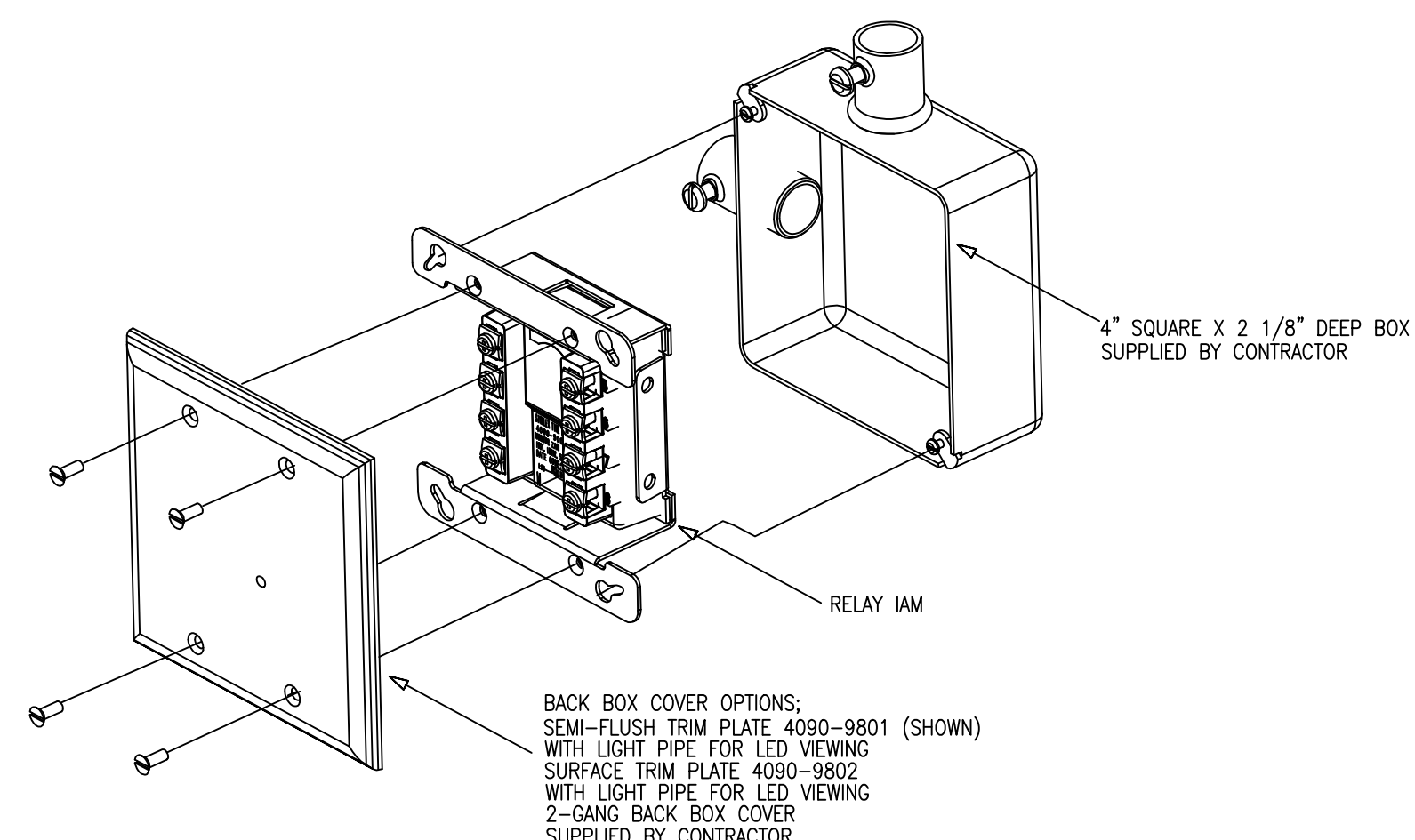
PRODUCT INFORMATION

4090-9002 IDNet SLC, INDIVIDUAL ADDRESSABLE OUTPUT MODULE RELAY (AOM)

- FEATURES:
- UL LISTED
  - A SINGLE ADDRESSABLE POINT BOTH CONTROLS A 2A FORM "C" CONTACT AND TRACKS ITS STATUS
  - COMPATIBLE WITH SIMPLEX MODEL 4010 AND 4100 ADDRESSABLE FIRE ALARM CONTROL PANEL
  - LATCHING RELAY DESIGN ALLOWS DATA AND POWER TO BE BOTH SUPPLIED BY IDNet COMMUNICATIONS
  - COMPACT, SEALED CONSTRUCTION:
    - SCREW TERMINALS FOR WIRING CONNECTIONS
    - REDUCES DUST INFILTRATION
- SPECIFICATIONS:
- RELAY IAM POWER: SUPPLIED BY IDNet COMMUNICATIONS
  - RELAY IAM CONTACTS (FORM "C", SPDT)
  - POWER LIMITED RATING: 2A @ 24VDC, TRANSIENT SUPPRESSED LOADS, 1A @ 24VDC FOR INDUCTIVE LOADS
  - NON POWER LIMITED RATING: 1/2A @ 24VAC, TRANSIENT SUPPRESSED LOADS, 1A @ 24 VDC FOR INDUCTIVE LOADS
  - WIRE CONNECTIONS: SCREW TERMINALS FOR IN/OUT WIRING, #18 TO #14 AWG WIRE
  - COMPATIBLE WITH SIMPLEX 2081-9044 OVER VOLTAGE PROTECTORS
  - DIMENSIONS: 4 1/8" H x 4 1/8" W x 1 3/8" D (105mm x 105mm x 35mm)
  - HOUSING MATERIAL: BLACK THERMOPLASTIC
  - MOUNTING PLATE MATERIAL: SHEET METAL, GALVANIZED
  - TEMPERATURE RANGE: 32° F TO 120° F (0° C TO 49° C) INTENDED FOR INDOOR OPERATION
  - HUMIDITY RANGE UP TO 93% RH AT 100° F (38° C)

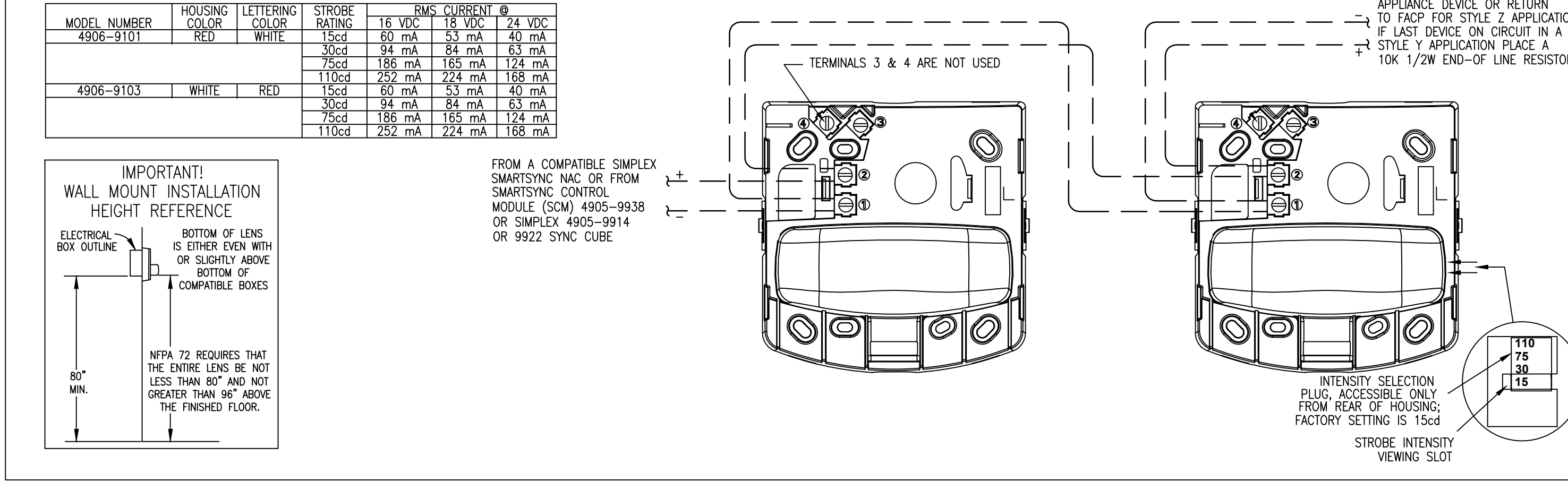
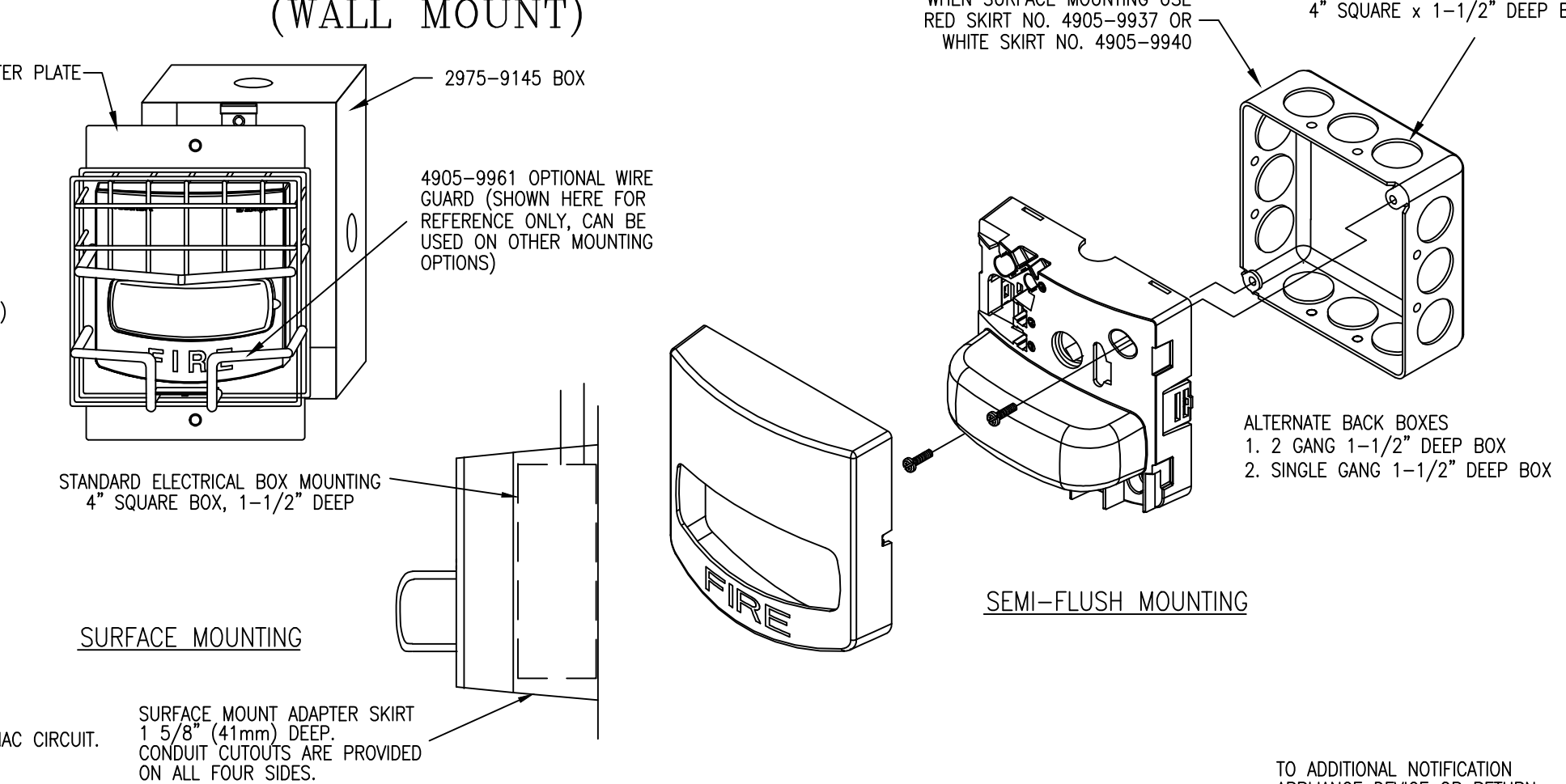
DESCRIPTION:  
IDNet SLC RELAY MODULES ALLOW THE SIMPLEX FIRE ALARM CONTROL PANEL TO CONTROL A REMOTELY LOCATED FORM "C" CONTACT USING IDNet ADDRESSABLE COMMUNICATIONS FOR BOTH DATA AND POWER. TYPICAL APPLICATIONS WOULD BE FOR SWITCHING LOCAL POWER FOR CONTROL FUNCTIONS SUCH AS ELEVATOR CAPTURE, OR CONTROL OF HVAC COMPONENTS, PRESSURIZATION FANS, DAMPERS, ETC. RELAY STATUS IS ALSO COMMUNICATED REQUIRING ONLY ONE DEVICE ADDRESS.

- WIRING NOTES:
- IDNet SLC LINES ARE TO BE #18 AWG TWISTED PAIR (CONSULT SC SALES ENGINEERING FOR EXCEPTIONS) SHIELD RECOMMENDED.
  - MAXIMUM ALLOWABLE LINE RUN, FROM THE F.A.C.P. TO THE FARTHEST DEVICE, NOT TO EXCEED 2500 FEET.
  - MAXIMUM QUANTITY OF DEVICES PER CIRCUIT: CONTROL PANEL MODULE DEPENDENT.
  - CONTRACTOR WIRING TO RELAY CONTACTS IS UNSUPERVISED. USE #14 AWG WIRE TO LOCAL CODE.
  - RELAY CONTACTS RATED 2A, 24VDC (1A FOR INDUCTIVE LOAD) RELAY CONTACTS RATED 0.5A 120VAC (NON POWER LIMITED) FOR POWER-LIMITED OPERATION, POWER MUST BE PROVIDED FROM FACP OR POWER-LIMITED POWER SUPPLY LISTED FOR FIRE PROTECTIVE SIGNALING USE.
  - SEE INSTALLATION INSTRUCTIONS 574-184.
  - IF SHIELD IS PRESENT, CONNECT TO THE OUTGOING IDNet SHIELD TO PROVIDE A CONTINUOUS SHIELD OVER THE LENGTH OF THE IDNet CHANNEL. METHOD OF SPLICE DETERMINED BY AHJ.
  - WHEN CONNECTED TO A NON POWER-LIMITED SOURCE, THE WIRING MUST MAINTAIN A MINIMUM 1/4 INCH SEPARATION FROM IDNet WIRING.
  - WHEN USED WITH NON POWER-LIMITED SOURCE, THE "POWER LIMITED WIRING" INDICATION ON THE DEVICE LABEL MUST BE OBLITERATED.
  - WHEN BOTH POWER-LIMITED AND NON POWER-LIMITED SOURCES ARE PRESENT, USE TYPE FPL, FPLR OR FPLP POWER LIMITED CABLE FOR POWER-LIMITED CIRCUITS.
  - MAXIMUM TOTAL WIRE (INCLUDING ALL T-TAPS) ON CIRCUIT, FROM THE F.A.C.P. NOT TO EXCEED 10,000 FEET OR .58uF. (CLASS B ONLY) REFER TO FIELD WIRING DIAGRAM 842-073



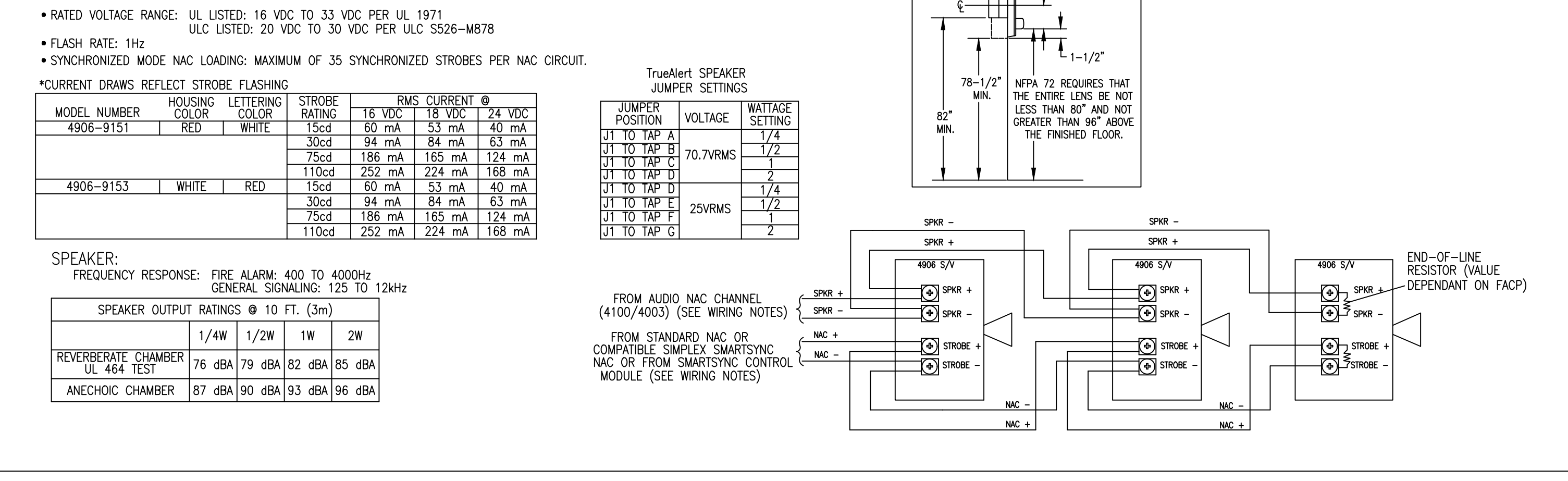
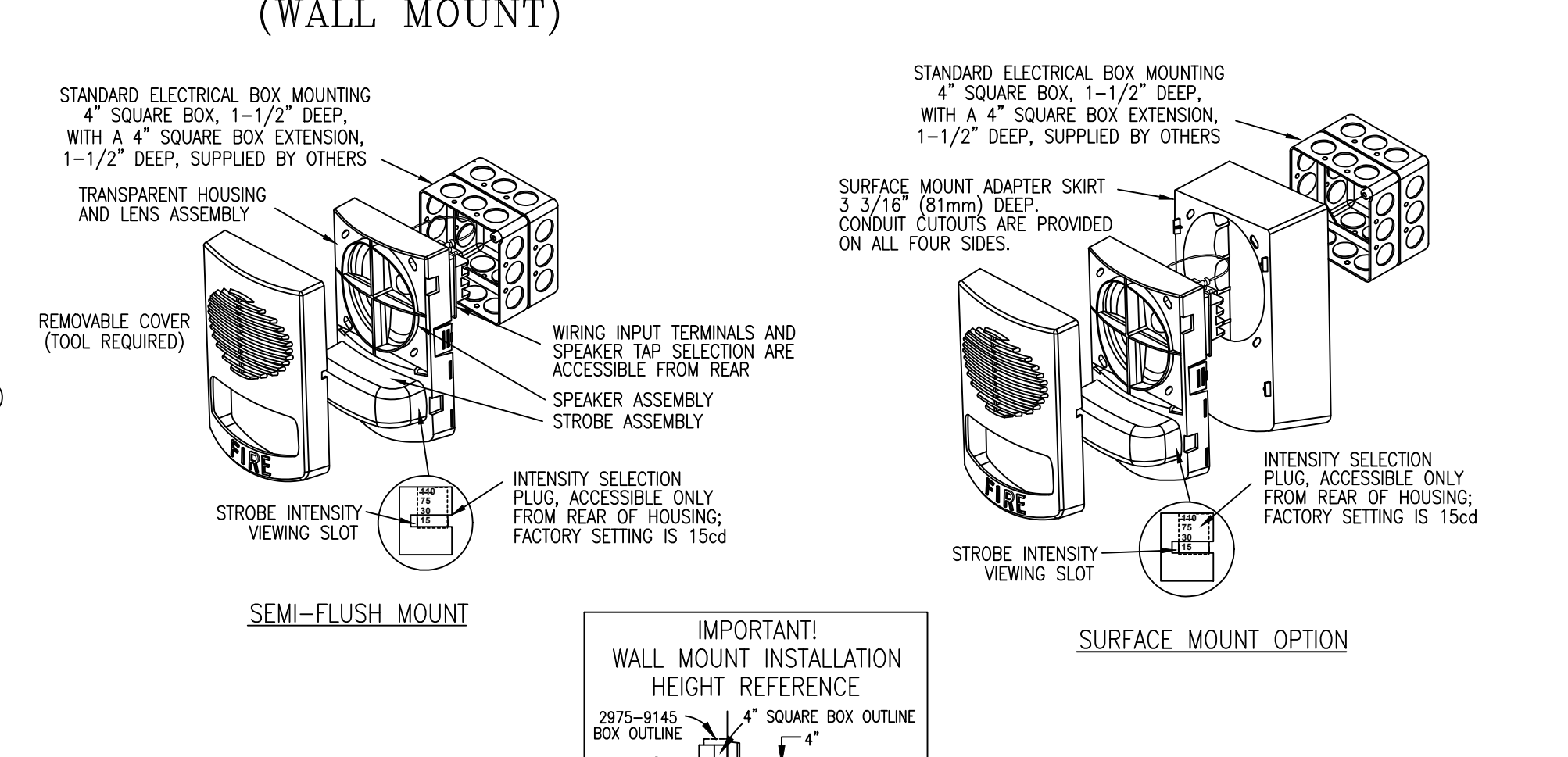
TrueAlert™ NON-ADDRESSABLE MULTI-CANDELA VISIBLE NOTIFICATION APPLIANCE (WALL MOUNT)

- PRODUCT INFORMATION
- FEATURES:
- UL LISTED TO STANDARD 1971
  - ADA COMPATIBLE
  - SYNCHRONIZATION FLASH RATE MODE FOR USE WITH:
    - SEPARATE STROBE SYNCHRONIZATION MODULES THAT ARE AVAILABLE FOR CLASS B OR CLASS A OPERATION
    - SEPARATE SMARTSYNC CONTROL MODULES (SCMs) THAT PROVIDE CLASS B OR CLASS A OUTPUT FROM CONVENTIONAL NAC INPUTS
- SPECIFICATIONS:
- HOUSING DIMENSIONS: 5-1/8" H x 5" W x 2-3/4" D (130mm x 127mm x 70mm)
  - TEMPERATURE RANGE: 32° F TO 122° F (0 TO 50° C)
  - HUMIDITY RANGE: 10% TO 93% NON-CONDENSATING AT 100° F (38° C)
  - TERMINAL BLOCKS FOR 18AWG TO 12AWG; TWO WIRES PER TERMINAL FOR IN/OUT WIRING.
- WIRING:
- NOTIFICATION APPLIANCES ARE RATED PER INDIVIDUAL NAMEPLATE LABEL.
  - MAINTAIN CORRECT POLARITY ON TERMINAL CONNECTIONS. DO NOT LOOP WIRES UNDER TERMINALS.
  - ALL NAC WIRING CONNECTIONS ARE SUPERVISED AND POWER-LIMITED.
  - SEE INSTALLATION INSTRUCTIONS (579-548) FOR ADDITIONAL INFORMATION.
- STROBE:
- RATED VOLTAGE RANGE: UL LISTED: 16 VDC TO 33 VDC PER UL 1971 ULC LISTED: 20 VDC TO 30 VDC PER ULC S526-M878
  - FLASH RATE: 1Hz
  - SYNCHRONIZED MODE NAC LOADING: MAXIMUM OF 35 SYNCHRONIZED STROBES PER NAC CIRCUIT.
  - CURRENT DRAWS REFLECT STROBE FLASHING



TrueAlert™ NON-ADDRESSABLE MULTI-CANDELA SPEAKER/VISIBLE NOTIFICATION APPLIANCE (WALL MOUNT)

- PRODUCT INFORMATION
- FEATURES:
- UL LISTED TO STANDARD 1971 & 1480
  - ADA COMPATIBLE
  - OPTIONS FOR WALL MOUNT SPEAKER VISUALS:
    - SKIRTS FOR SURFACE MOUNT ELECTRICAL BOXES - RED 4905-9946, WHITE 4905-9947
    - 4905-9998 WIRE GUARD
- SYNCHRONIZATION FLASH RATE MODE FOR USE WITH:
- SEPARATE STROBE SYNCHRONIZATION MODULES THAT ARE AVAILABLE FOR CLASS B OR CLASS A OPERATION
- SPECIFICATIONS:
- HOUSING DIMENSIONS: 7-1/4" H x 5" W x 2-5/8" D (184mm x 127mm x 67mm)
  - TEMPERATURE RANGE: 32° F TO 122° F (0 TO 50° C)
  - HUMIDITY RANGE: 10% TO 93% NON-CONDENSATING AT 100° F (38° C)
  - TERMINAL BLOCKS FOR 18AWG TO 12AWG; TWO WIRES PER TERMINAL FOR IN/OUT WIRING.
- WIRING NOTES:
- NOTIFICATION APPLIANCES ARE RATED PER INDIVIDUAL NAMEPLATE LABEL.
  - MAINTAIN CORRECT POLARITY ON TERMINAL CONNECTIONS. DO NOT LOOP WIRES UNDER TERMINALS.
  - ALL NAC WIRING CONNECTIONS ARE SUPERVISED AND POWER-LIMITED.
  - SEE INSTALLATION INSTRUCTIONS (579-548) FOR ADDITIONAL INFORMATION.
- STROBE:
- RATED VOLTAGE RANGE: UL LISTED: 16 VDC TO 33 VDC PER UL 1971 ULC LISTED: 20 VDC TO 30 VDC PER ULC S526-M878
  - FLASH RATE: 1Hz
  - SYNCHRONIZED MODE NAC LOADING: MAXIMUM OF 35 SYNCHRONIZED STROBES PER NAC CIRCUIT.
  - CURRENT DRAWS REFLECT STROBE FLASHING



**tyco** SimplexGrinnell  
Safer. Smarter. Tyco.™

DISTRICT - 147  
WESTBROOK, MAE 04092  
PHONE: 207-842-8440  
FAX: 207-842-8439

**SPARE TIME RECREATION-LASER TAG AMUSEMENT**

SPARE TIME RECREATION-LASER TAG AMUSEMENT  
867 RIVERSIDE STREET  
PORTLAND, MAINE 04103-1070

| ISSUE NO. | CHK. | DESCRIPTION | DATE    | BY | REVISED PER ADDITION OF MAINTENANCE SHEET |
|-----------|------|-------------|---------|----|---|
| 1         |      |             | 8/15/15 | SK |   |

DRAWN BY: MD  
CHECKED BY: SK  
ISSUE DATE: 8/12/15  
JOB #:  
PROJECT #: 147-985922501  
SIMPLEXGRINNELL © 2015  
SYSTEM:  
FIRE ALARM SYSTEM  
SHEET:

WIRING TYPICALS

FA-702

FILE PATH: W:\Northern New England Design Team\147 Spare Time Recreation\REV1\REV1\Fire Alarm Drawings\FA-702.dwg  
LAST SAVED BY: MDESJATA  
LAST PRINTED: 9/15/2015 10:33:55 AM  
24 x 36" Arch D Size