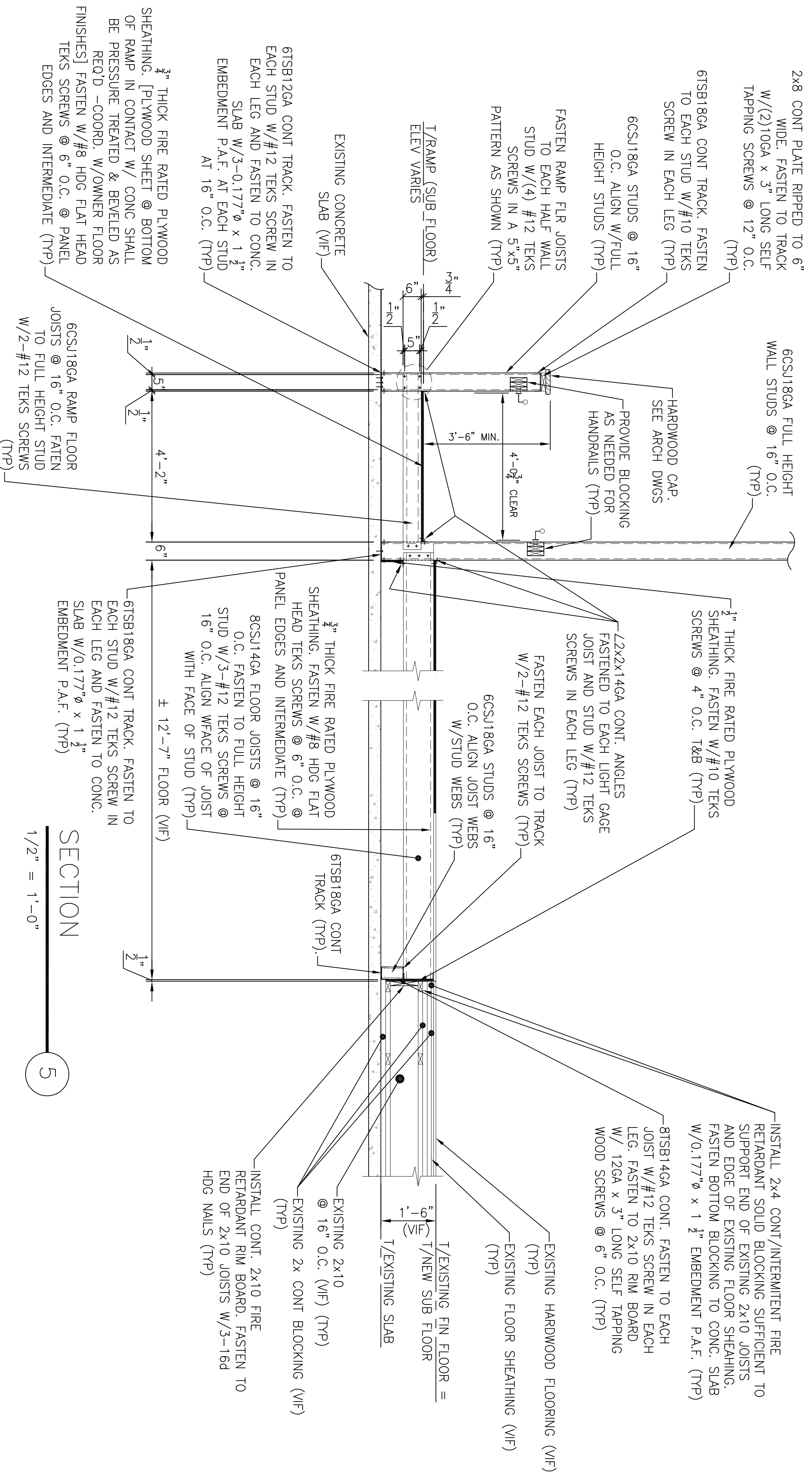
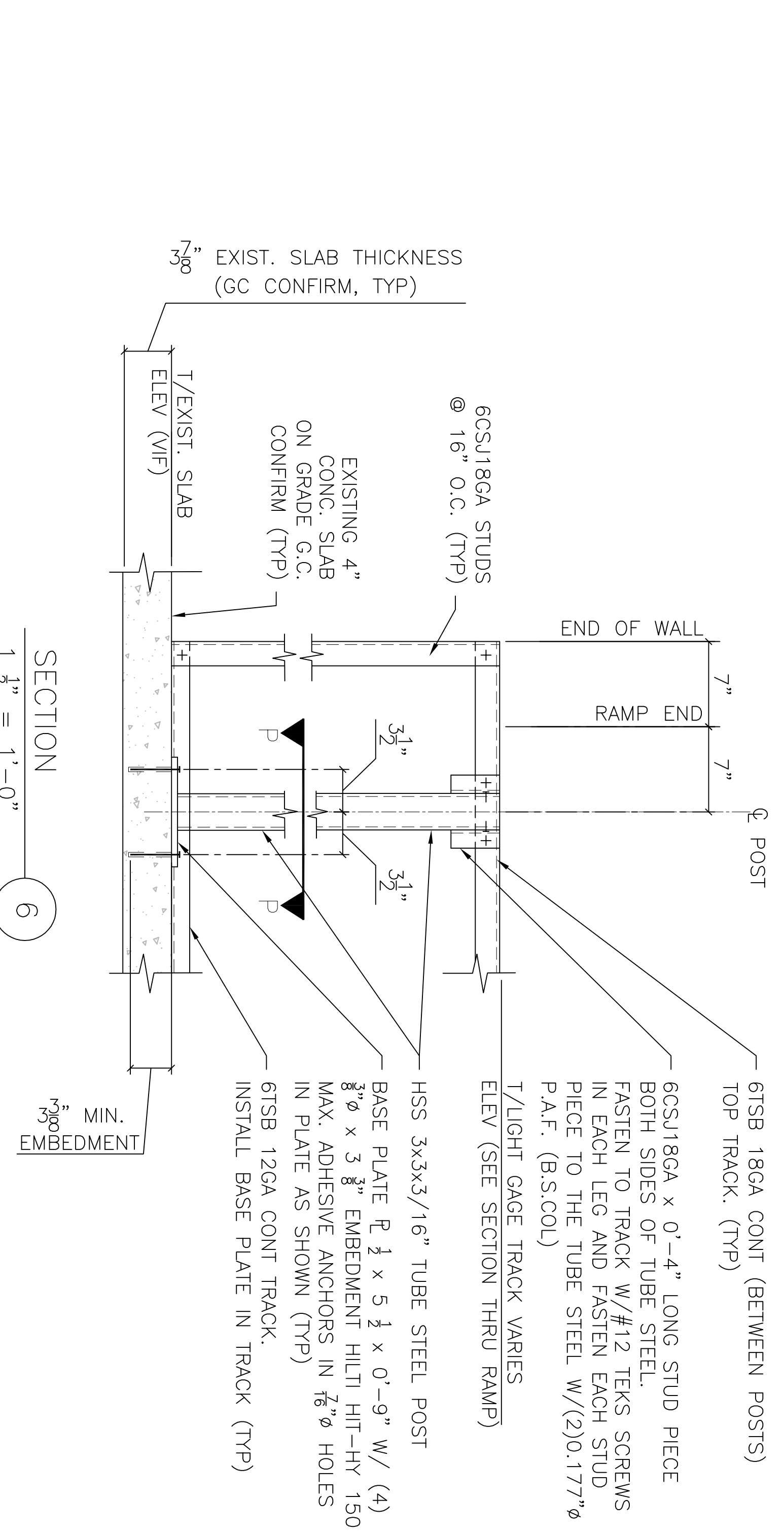


LASER TAG ARENA

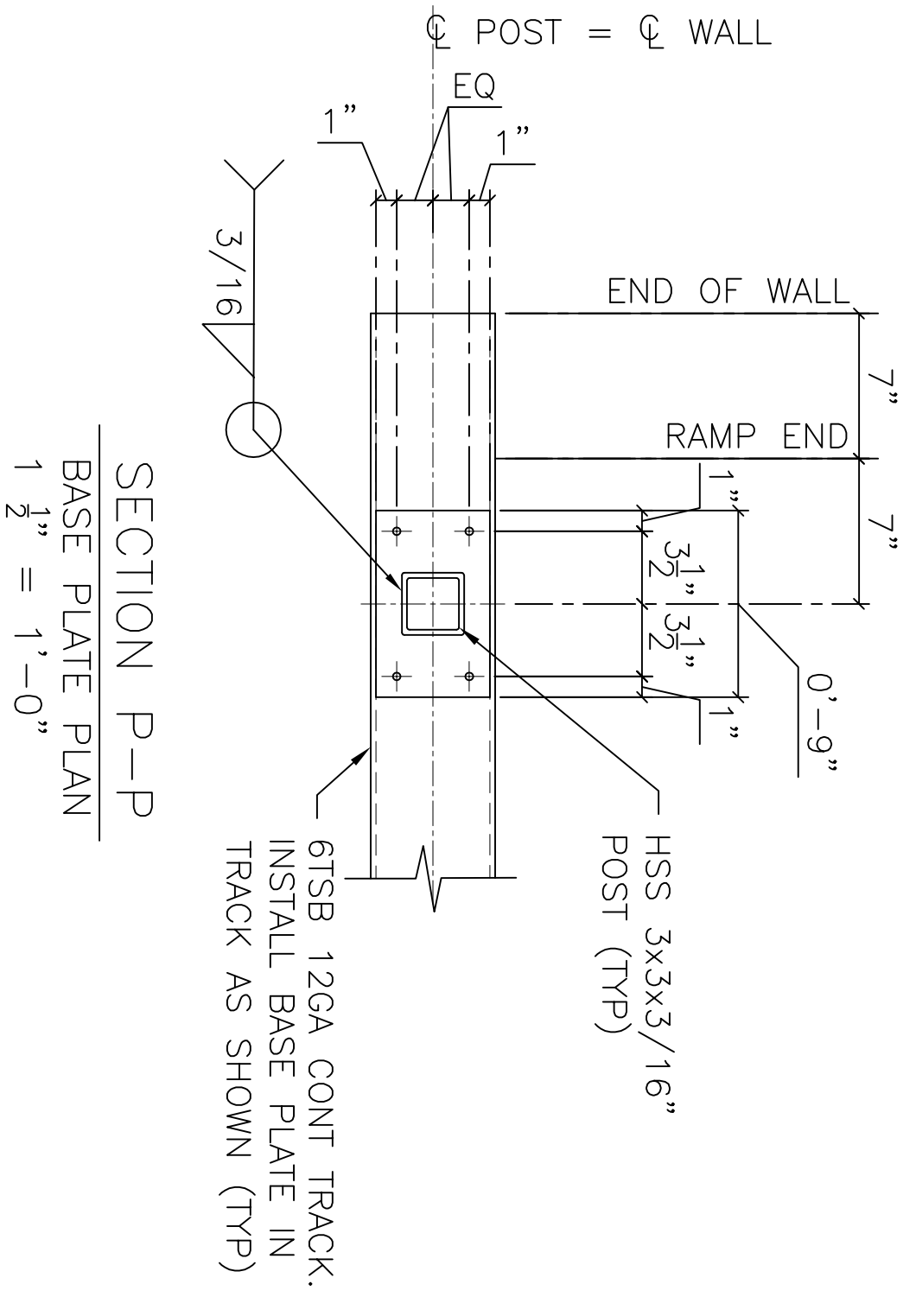
VESTING/BRIEFING ROOM



SECTION 5  
1/2" = 1'-0"

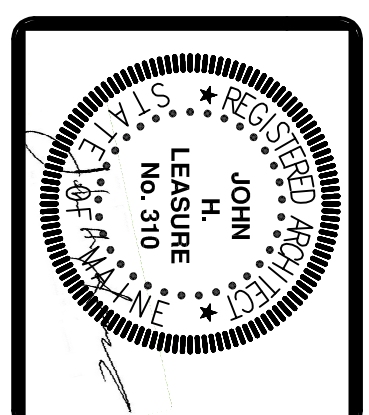
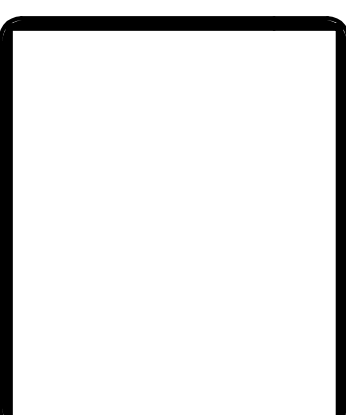


SECTION 6  
1 1/2" = 1'-0"



SECTION P-P  
BASE PLATE PLAN  
1 1/2" = 1'-0"

REV.	DATE	STATUS
0	2-26-15	ISSUED FOR PERMITS
2	4-10-15	GENERAL REVISIONS



PROPOSED LASER TAG AMUSEMENT  
SPARE TIME BOWLING  
867 RIVERSIDE STREET  
PORTLAND, MAINE  
RAMP FRAMING DETAILS

