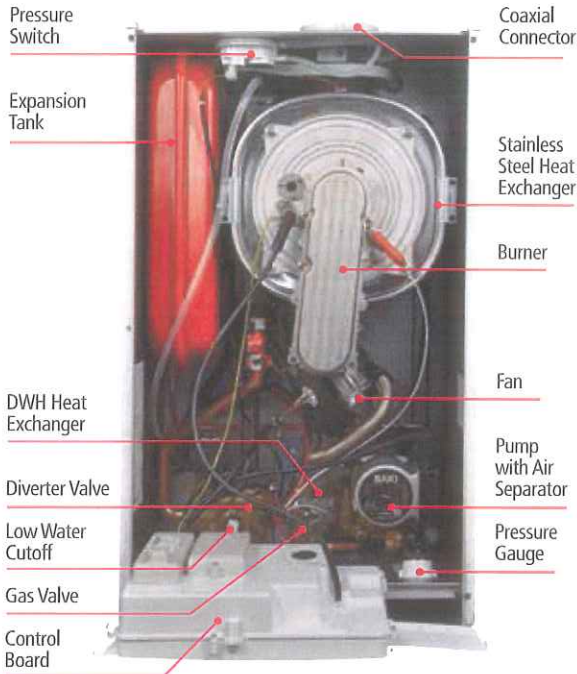


# Built-In Value Added








*Baxi Luna Duo-Tec is a high efficiency modulating, condensing wallhung boiler with multiple built-in safety and performance enhancing components.*

- ◆ 7:1 turndown ratio (134,000 to 18,000 BTU/hr) enhances versatility and efficiency
- ◆ Automatic gas-adaptive and self-calibrating functions enhance combustion efficiency and lower fuel bills
- ◆ Two-speed modulating pump with built-in air vent generates up to 40% reduction in electrical use annually
- ◆ Stainless steel AISI 318 pre-mixing burner and heat exchanger (10-year warranty) assures longevity
- ◆ Stainless steel enhanced secondary heat exchanger (combi model) ensures condensation in domestic hot water mode
- ◆ Controller with large backlit digital display on front of boiler makes it easy to set up and service
- ◆ Pre-heat function helps eliminate cold water sandwich
- ◆ Ability to accept and increase heating of pre-heated solar water
- ◆ Frost protection, as well as pump and diverter valve seize prevention
- ◆ Approved for closet installation, saving valuable living space
- ◆ Ask a Baxi certified contractor about other built-in performance and safety features including high limit sensors, low water cut-off, shut off valves, pressure relief valve, system pressure gauge, expansion tank and auto bypass.

## Baxi Luna Duo-Tec Residential Models

## Baxi Luna HT Commercial Models

Baxi Luna High Efficiency Technical Notes		40 GA		1.33 GA		1.45		1.65		1.100	
											
Rated heat input	BTU/hr	153,864	125,908	167,262	241,600	379,127					
Reduced heat input	BTU/hr	21,838	21,838	55,618	73,361	112,980					
Rated heat output	BTU/hr	136,486	136,486	153,546	221,789	348,039					
Reduced heat output	BTU/hr	19,108	19,108	52,058	69,326	106,766					
Sealed combustion chamber		yes	yes	yes	yes	yes					
Ignition		electronic	electronic	electronic	electronic	electronic					
Anti-frost device on heating circuit		yes	yes	yes	yes	yes					
Maximum pressure on heating circuit	psi	43	43	30	30	30					
Regulation of heating	– high temp	°F/°C	176/80	176/80	86/180	86/180					
circuit water temperature	– low temp	°F/°C	113/40	113/40	86/113	86/113					
Dimensions:	Height	in	30.04	30.04	37.40	37.40					
	Width	in	17.71	17.71	23.62	23.62					
	Depth	in	13.58	13.58	18.35	18.35					
Coaxial/Dual flue tube	in/mm	2.36-3.93/60-100	2.36-3.93/60-100	3.15-4.92/3.15	3.15-4.92/3.15	4.33-6.30/4.33					
Net weight	lbs	102	102	141	158	215					
Gas type		NG/LP	NG/LP	NG/LP	NG/LP	NG/LP					



Marathon International  
 Exclusive North American Distributor for Baxi Products  
 1815 Sismet Road, Mississauga  
 Ontario L4W 1P9, Canada  
 info@wallhungboilers.com

Baxi is ISO 9001 certified for quality management, OHSAS 18001 for health and safety management and ISO 14001 for environmental management.

The Company assumes no responsibility for any possible contents mistakes, and reserves the right to make changes in products, due to technical or commercial demands, at any time without notice.



[www.wallhungboilers.com](http://www.wallhungboilers.com)

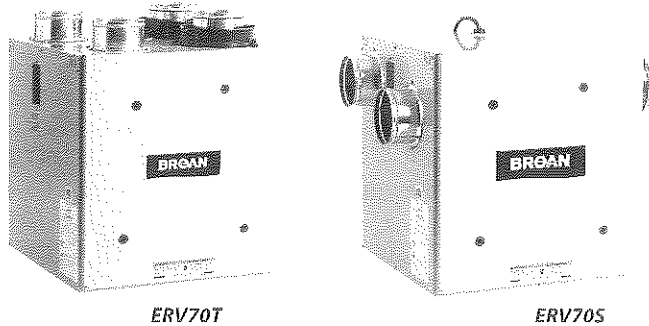


## BROAN™ ERV70 Series

Part no. ERV70T (TOP PORTS)

Part no. ERV70S (SIDE PORTS)

35 to 70 CFM (0.4 in. w.g.)



### The BROAN™ ERV70 Series of Energy Recovery Ventilators

The BROAN™ ERV70 Series is an ideal choice for condos, apartments and other limited space applications that require up to 70 cfm of continuous ventilation. With its compact size and 4-inch vertical or horizontal ports, it can be installed in small spaces such as a closet or mechanical room above a hot water tank.

The BROAN™ ERV70 Series has one blower (patent pending) and is quieter than any other similar ERV on the market. ERV technology is a great choice for summer ventilation with air conditioning in humid climates, and for dry homes in colder climates. Read more about ERV and HRV technology at [www.broan.com](http://www.broan.com).

- At just 34 lb. (15.2 kg), it can be installed without opening the unit
- Features pressure taps, balancing dampers, integrated hooks and port straps to simplify installation
- Removable terminal block for quicker wall control connections

#### REPAIRS AND MAINTENANCE

All parts requiring maintenance can be removed in less than 5 minutes allowing easy access for repairs. The PSC motor is permanently lubricated.

#### WARRANTY

The BROAN™ ERV70 Series is protected by a 2-year warranty on parts only. The energy recovery core is covered by a 5-year warranty, with the original proof of purchase.

## ENERGY RECOVERY VENTILATOR

### Controls

- This unit is very simple to operate. Once it is installed, press on its push button, located on the unit top left side, to select high speed, low speed or to stop it (the blower is off but will turn on in response to a wall control signal). The LED (located under the push button) will then show on which mode the unit is in.

### Options

- Exclusive wall mounting bracket ACCWMK

### Defrosting System

The BROAN™ ERV70 Series uses a unique recirculation defrost method, which maintains balanced air pressure in the home. If there is a call for ventilation from a wall control during the defrost cycle, the defrost is put "on hold" while air is exchanged, ensuring that no humid air is recirculated.

OUTSIDE TEMPERATURE		DEFROST CYCLE MIN./ OPERATING MIN.
°C	°F	
WARMER THAN -5	WARMER THAN 23	NO DEFROST
-5 TO -27	23 TO -17	7/22
-27 AND LESS	-17 AND LESS	7/15

### Energy Recovery Core

Dimensions: 10" x 10" x 5.5" (25.4 cm x 25.4 cm x 14 cm)

Exchange surface: 42.3 ft.<sup>2</sup> (3.9 m<sup>2</sup>)

Weight: 8 lb. (3.6 kg)

Material: Polymerized paper

Type: Cross flow

Warranty: 5 years

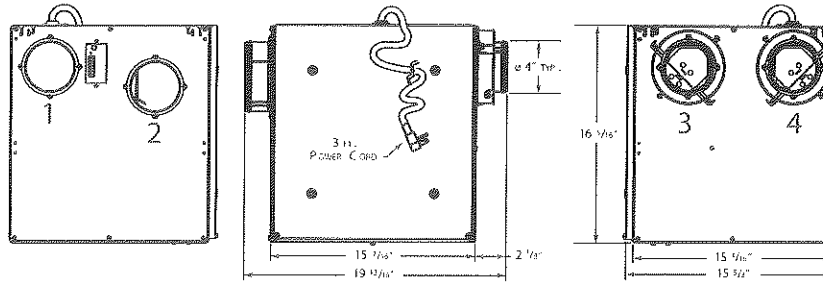
### Requirements and standards

- Complies with the UL 1812 requirements regulating the installation of Energy Recovery Ventilators
- Complies with the CSA C22.2 no. 113 Standard applicable to ventilators
- Complies with CSA C444 requirements regulating the installation of Energy Recovery Ventilators
- Technical data was obtained from published results of tests relating to CSA C439 Standards
- HVI certified

Available at :

## DIMENSIONS: BROAN™ ERV70S (Side Ports)

- 1: FRESH AIR TO BUILDING PORT
- 2: EXHAUST AIR FROM BUILDING PORT



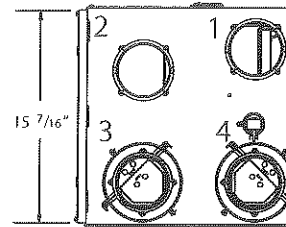
- 3: FRESH AIR FROM OUTSIDE PORT
- 4: EXHAUST AIR TO OUTSIDE PORT

NOTE: ALL UNITS PORTS WERE CREATED TO BE CONNECTED TO DUCTS HAVING A MINIMUM OF 4" DIAMETER, BUT IF NEED BE, THEY CAN BE CONNECTED TO BIGGER SIZED DUCTS BY USING AN APPROPRIATE TRANSITION (E.G.: 4" DIAMETER TO 5" DIAMETER TRANSITION).

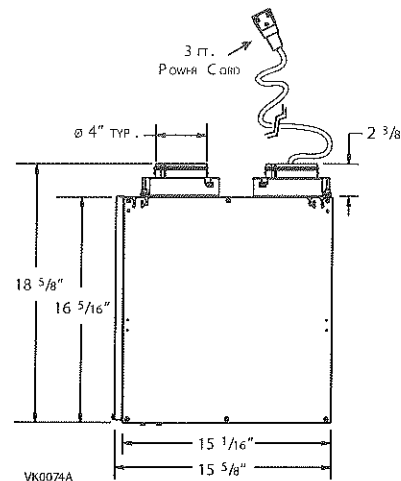
## VENTILATION PERFORMANCE

EXTERNAL STATIC PRESSURE	NET SUPPLY AIR FLOW			GROSS AIR FLOW						
				SUPPLY			EXHAUST			
PA	IN. W.G.	L/S	CFM	M <sup>3</sup> /H	L/S	CFM	M <sup>3</sup> /H	L/S	CFM	M <sup>3</sup> /H
25	0.1	39	82	139	39	85	143	39	83	141
50	0.2	37	78	133	38	81	136	37	79	134
75	0.3	35	75	127	36	78	131	35	75	127
100	0.4	33	70	119	34	73	122	34	71	121
125	0.5	32	67	114	33	71	117	32	67	114
150	0.6	29	62	105	30	66	109	29	61	104
175	0.7	28	59	100	28	61	102	27	57	97
200	0.8	26	55	93	26	57	95	24	52	88

## BROAN™ ERV70T (Top Ports)



- 1: FRESH AIR TO BUILDING PORT
- 2: EXHAUST AIR FROM BUILDING PORT
- 3: FRESH AIR FROM OUTSIDE PORT
- 4: EXHAUST AIR TO OUTSIDE PORT



NOTE: ALL UNITS PORTS WERE CREATED TO BE CONNECTED TO DUCTS HAVING A MINIMUM OF 4" DIAMETER, BUT IF NEED BE, THEY CAN BE CONNECTED TO BIGGER SIZED DUCTS BY USING AN APPROPRIATE TRANSITION (E.G.: 4" DIAMETER TO 5" DIAMETER TRANSITION).

## ENERGY PERFORMANCE

SUPPLY TEMPERATURE	NET AIR FLOW			POWER CONSUMED	SENSIBLE RECOVERY EFFICIENCY	APPARENT SENSIBLE EFFECTIVENESS	LATENT RECOVERY/ MOISTURE TRANSFER	
								°C
HEATING								
0	32	17	35	60	34	66	77	0.59
0	32	30	64	109	50	60	69	0.54
-25	-13	17	36	61	43	56	75	0.55
COOLING								
35	95	17	36	61	34	TOTAL RECOVERY EFFICIENCY		50

NOTE: All specifications are subject to change without notice.

## SPECIFICATIONS

- Part Number Top Ports:
- Part Number Side Ports:
- Total Assembled Weight (including polymerized paper core): 34 lb. (15.2 kg)
- Round 4" ports
- Core Filters: 2 washables, MERV 6  
9.2" x 5.75" x 0.38"  
(23.4 cm x 16.6 cm x 1 cm)

- Housing: Pre-painted steel
- Insulation: Expanded polystyrene
- Mounting: Suspension by chains and spring or optional wall bracket
- Supply and Exhaust Blower Motor: 1 motor
  - Protection type: Thermally protected
  - Insulation class: B

- Speed Control on Unit:
  - Low speed and high speed
  - Other modes available with auxiliary wall controls
- Energy Recovery Core:
  - Heat Exchange Surface Area: 42.3 ft.<sup>2</sup> (3.9 m<sup>2</sup>)
  - Type: Crossflow
  - Material: Polymerized paper
- Unit Electrical Characteristics:
 

Volts	Frequency	Ampere	Watts
120	60 Hz	0.5	60

Project:	REMARKS
Location:	
Part no.:	
Qty.:	
Submitted by: _____ Date: _____	



Broan-NuTone LLC, 926 West State Street, Hartford, WI 53027 (1-800-637-1453)

www.broan.com

