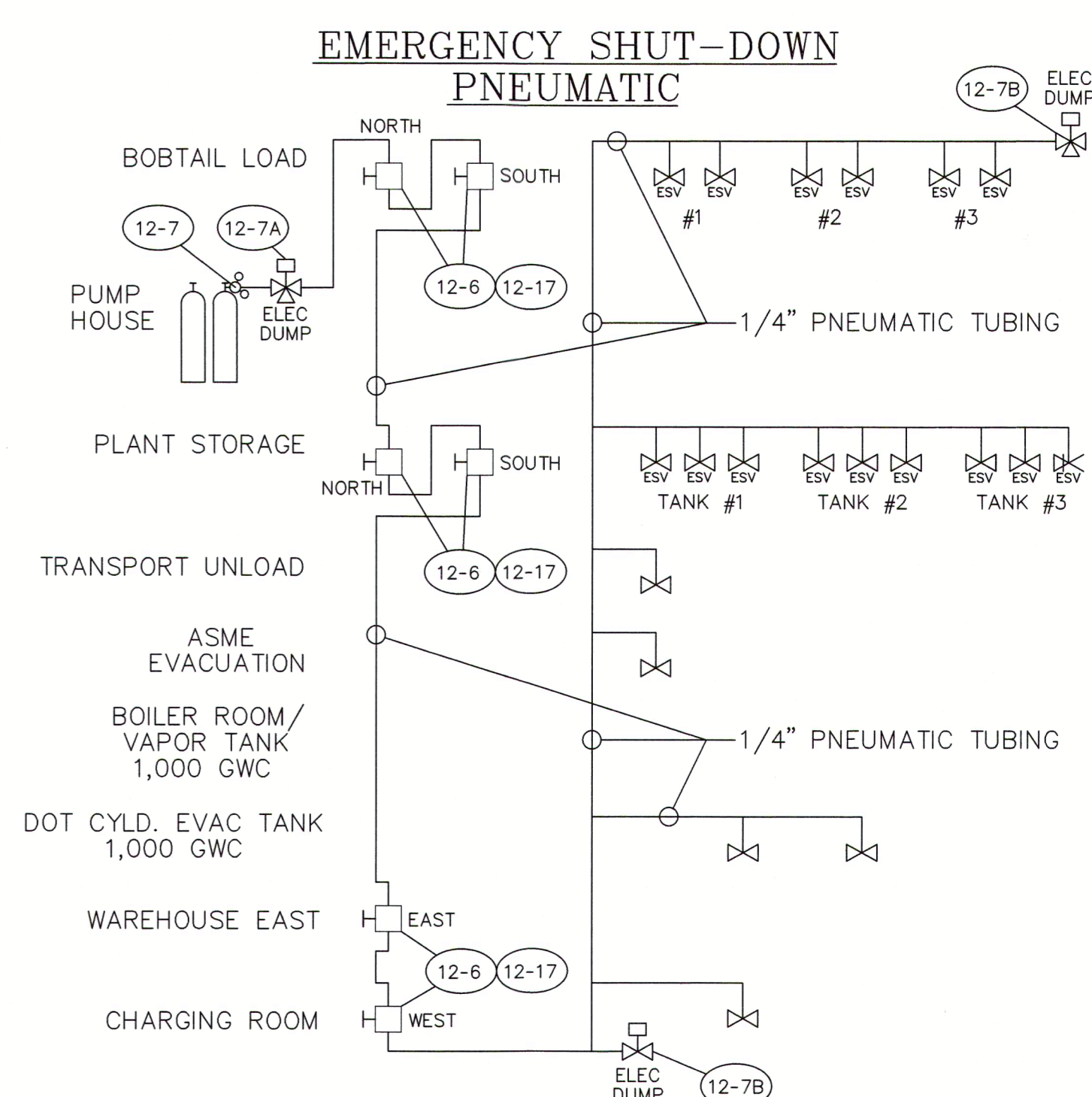
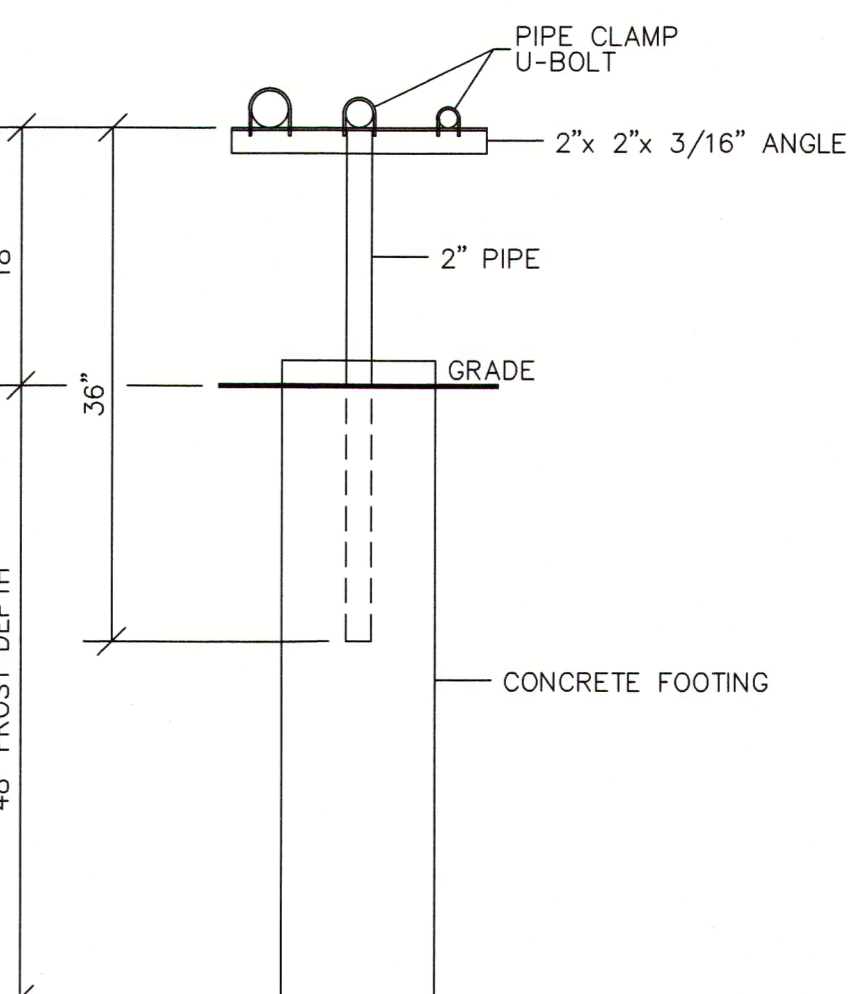
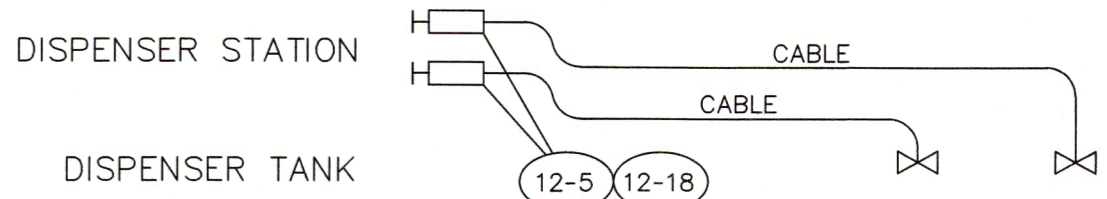


LPGAS SITE PLAN
SCALE: 1" = 20'-0"

TRANSPORT UNLOADING ASME EVACUATION
SCALE: NONE



EMERGENCY SHUT-DOWN PNEUMATIC



SUPPORT SPACING

PIPE SIZE	SPACING
4"	14'
3"	12'
2"	10'
1 1/4"	10'
3/4"	8'

PIPE SUPPORT DETAIL
SCALE: NONE

REVISIONS

NO.	DATE	BY	DESCRIPTION
1	3/14/17	MM	GENERAL REVISIONS - ADDED STATIONING DETAIL/DIMENSIONS, RELOCATED DISPENSER STATION, ETC.
2	2/23/17	MM	GENERAL REVISIONS

JEM MECHANICAL SERVICES LLC

15 OLD MILL ROAD
CHESTER, NEW JERSEY 07930
PHONE: (908) 879-8012

REFERENCES

SYMBOL	M.G.M.	DATE	SCALE	CHECKED
		1/27/17	NONE	

LPGAS SITE PLAN
SUBURBAN PROPANE
PORTLAND, MAINE

LPG PERMIT COMMENTS - RETAIL SETBACK DISTANCES 9/24/18
LPG PERMIT 8/15/18