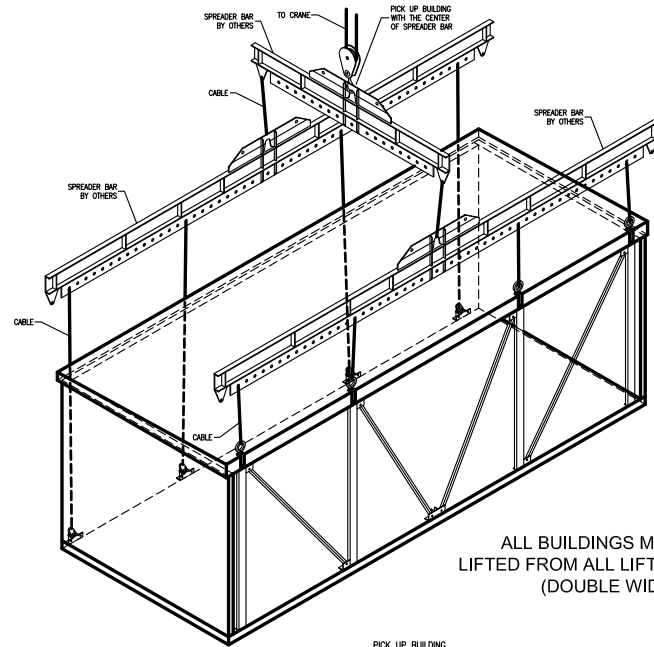
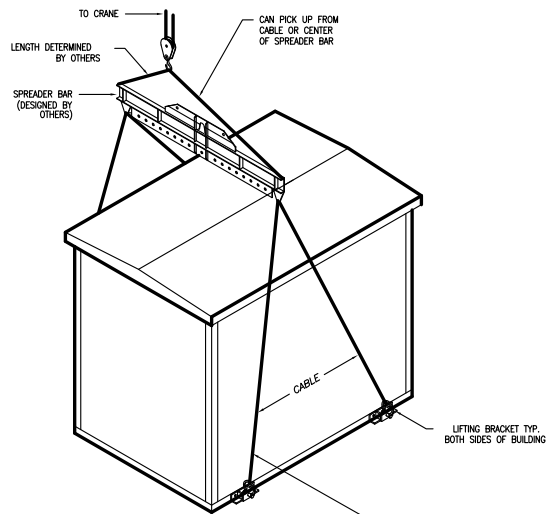
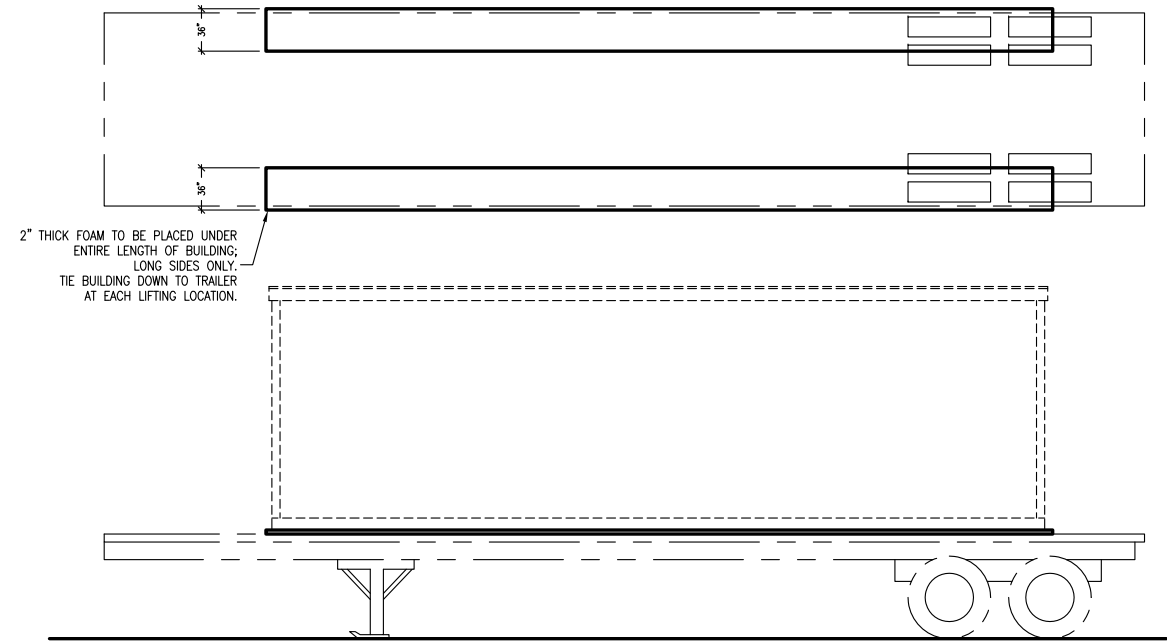


ALL BUILDINGS MUST BE LIFTED FROM ALL LIFTING POINTS

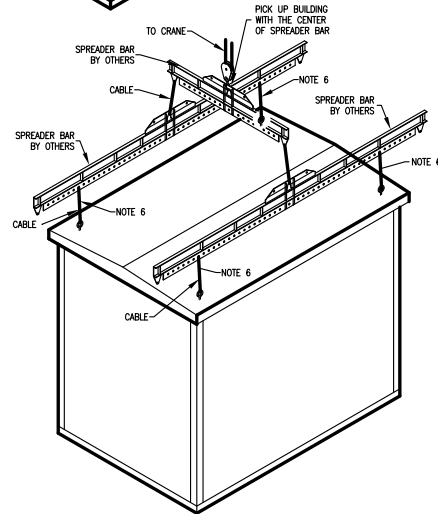
FOR TEMPORARY STORAGE OF SHELTERS, USE MIN. 4x4 TIMBERS DOWN LENGTH OF SHELTER ONLY; TYPICAL OF ALL SHELTER DESIGNS



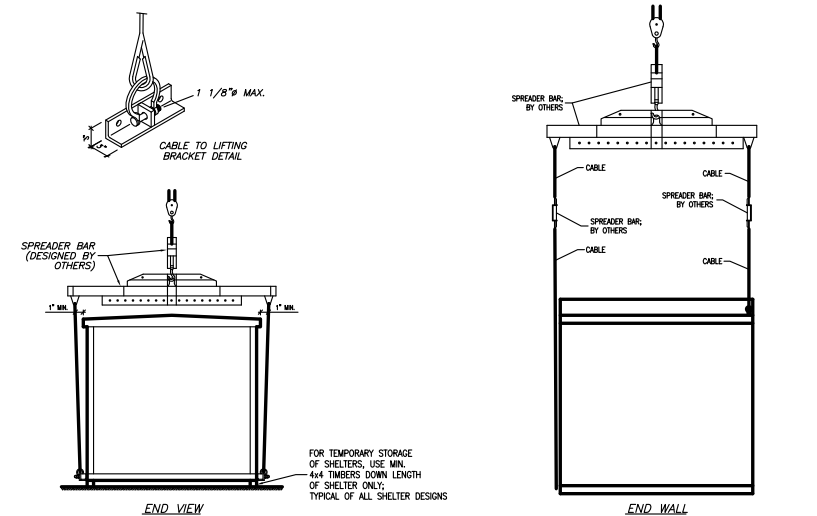
ALL BUILDINGS MUST BE LIFTED FROM ALL LIFTING POINTS (DOUBLE WIDE)



ALL BUILDINGS MUST BE LIFTED FROM ALL LIFTING POINTS



ALL BUILDINGS MUST BE LIFTED FROM ALL LIFTING POINTS (ROOF LIFT)



ALL BUILDINGS MUST BE LIFTED FROM ALL LIFTING POINTS

SINGLE BUILDING SET UP PROCEDURE:

1. INSPECT BUILDING UPON DELIVERY FOR DAMAGE DURING TRANSPORTATION.
2. REMOVE LIFTING BRACKETS FROM SHELTER.
3. CAULK AND GROUT BUILDING.
4. ATTACH TIE DOWN BRACKETS TO SHELTER AND FOUNDATION USING ANCHOR BOLTS.
5. INSTALL AND CAULK ALL ACCESSORIES (EXTERIOR LIGHT, CANOPY, ICE SHEILD, VENT HOODS, GROUND BARS, ETC.)
6. INSPECT ROOF AND ROOF EDGE FOR DAMAGE CAUSED BY OFFLOAD AND REPAIR IF NEEDED.
7. CLEAN INTERIOR AND COMPLETE ANY TOUCH UP PAINTING AS NEEDED.
8. CHECK DOOR ALARM FOR PROPER OPERATION.
9. CHECK LIGHTING AND AIR CONDITIONING FOR PROPER OPERATION.
10. INSPECT COMPLETE BUILDING FOR COSMETICS.

MULTI-WIDE BUILDING SET UP PROCEDURE:

1. INSPECT BUILDING UPON DELIVERY FOR DAMAGE DURING TRANSPORTATION.
2. REMOVE LIFTING BRACKETS FROM SHELTER.
3. ATTACH TIE DOWN BRACKETS TO SHELTER AND FOUNDATION USING ANCHOR BOLTS.
4. INSTALL AND CAULK ALL ACCESSORIES (EXTERIOR LIGHT, CANOPY, ICE SHEILD, VENT HOODS, GROUND BARS, ETC.)
5. INSPECT ROOF AND ROOF EDGE FOR DAMAGE CAUSED BY OFFLOAD AND REPAIR IF NEEDED.
6. INSTALL BACKER ROD AND CAULK EXTERIOR WALLS AND ROOF.
7. INSTALL FLASHING ON ALL INTERIOR MOD. LINES.
8. MAKE ALL CONDUIT AND CABLE TRAY CROSSOVERS.
9. CLEAN INTERIOR AND COMPLETE ANY TOUCH UP PAINTING AS NEEDED.

10. CHECK DOOR ALARM FOR PROPER OPERATION.
11. CHECK LIGHTING AND AIR CONDITIONING FOR PROPER OPERATION.
12. INSPECT COMPLETE BUILDING FOR COSMETICS.

OFFLOAD NOTES:

1. BUILDING SHALL BE OFFLOADED LEVEL.
2. ALL CABLES, SHACKLING, SPREADER BARS, ETC. SHALL BE DESIGNED AND SUPPLIED BY OTHERS.
3. ALL LIFTING POINTS SHALL BE USED.
4. 1 1/8" MAXIMUM DIAMETER FOR SHACKLES.
5. REMOVE BRACKET AFTER PLACEMENT OF SHELTER AND INSTALL ANCHOR TIE-DOWN PLATES (SHIPPED LOOSE INSIDE SHELTER) AT EACH LOCATION.
6. OFFLOAD BUILDING WITH CABLES IN VERTICAL POSITION. ANGLED POSITION CABLES ARE NOT ACCEPTABLE.

REV.	BY	DATE	REVISION	APP.	DATE	BOM	DATE

THESE PLANS ARE THE CONFIDENTIAL PROPERTY AND TRADE SECRETS OF FIBREBOND CORPORATION. ANY USE OF THESE DRAWINGS OR THE INFORMATION CONTAINED HEREIN FOR ANY REASON OTHER THAN AS EXPRESSLY AUTHORIZED BY FIBREBOND CORPORATION IS STRICTLY PROHIBITED. THESE DRAWINGS HAVE BEEN DISTRIBUTED WITH THE UNDERSTANDING THAT ANYONE RECEIVING OR OTHERWISE OBTAINING POSSESSION OF THEM WILL BE EXPRESSLY NOTIFIED OF THEIR CONFIDENTIAL NATURE.

1300 DAVENPORT DRIVE MINDEN, LA. 71055
ph. (800) 824-2614 www.fibrebond.com

AT&T MOBILITY

11'-5" X 24'-0" PATIO SHELTER
LIFTING, STORAGE, AND
TRANSPORTATION DIAGRAM

DRN. BY: CSP DATE: 6/5/13 APP. BY: CSP DATE: -
CHK. BY: DATE: APP. BY: MG DATE: -

SCALE: NONE SHEET NO.: 9-2
DWG NO.: D-9312