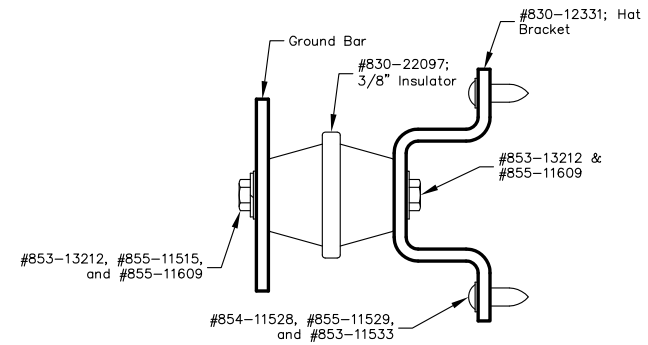


Exterior



Interior

GROUND BAR MOUNTING PROCEDURES

General Notes:

1. For Waveguides, Door Canopy, and Exterior Vent Hood installations, use 1/4" x 1 5/8" Hilti HPS Impact anchors, #854-22496.
2. HVAC mounting, use 5/16" x 1 1/2" sleeve anchors, #854-11135.
3. All interior boxes, panels, straps, etc. shall use #853-10848 screws. Large boxes and lights need to have washer #855-11513 with screw.
4. For exterior boxes, use #854-11528, #855-11529, and #853-11533 for anchors.
5. On furred walls using hat channel, sheetrock and FRP shall be fastened at perimeter at 12" o.c. using screws. On furred walls using THERMASHEATH insulation attach 3/8" Nupoly to wall over THERMASHEATH insulation with 3/16"x3 1/4" PNF tapcons #854-12917. Use Chemrex #850-11235 glue on 3/8" Nupoly.
6. On Concrete walls, mount sheetrock 16" o.c. using 3/16"x1 1/2" HPS anchors, #854-15111. Mount FRP over sheetrock using 1 1/2" coil nails, #854-11841 12" o.c. for Light Weight Bldgs. For C2 Bldgs., use 1/4"x2 1/16" HPS anchors, #854-11501.

						THESE PLANS ARE THE CONFIDENTIAL PROPERTY AND TRADE SECRETS OF FIBREBOND CORPORATION. ANY USE OF THESE DRAWINGS OR THE INFORMATION CONTAINED HEREIN FOR ANY REASON OTHER THAN AS EXPRESSLY AUTHORIZED BY FIBREBOND CORPORATION IS STRICTLY PROHIBITED. THESE DRAWINGS HAVE BEEN DISTRIBUTED WITH THE UNDERSTANDING THAT ANYONE RECEIVING OR OTHERWISE OBTAINING POSSESSION OF THEM WILL BE EXPRESSLY NOTIFIED OF THEIR CONFIDENTIAL NATURE.				1300 DAVENPORT DRIVE MINDEN, LA. 71055 ph. (800) 824-2614 www.fibrebond.com					
						AT&T MOBILITY 11'-5" X 24'-0" PATIO SHELTER MISC. DETAILS & NOTES				SCALE: NONE SHEET NO.: 9-1					
REV.	BY	DATE	REVISION	APP.	DATE	BOM	DATE	DRN. BY: CSP	DATE: 6/5/13	APP. BY: CSP	DATE: -	B DWG NO.: D-9312			
								CHK. BY:	DATE:	APP. BY: MG	DATE: -				