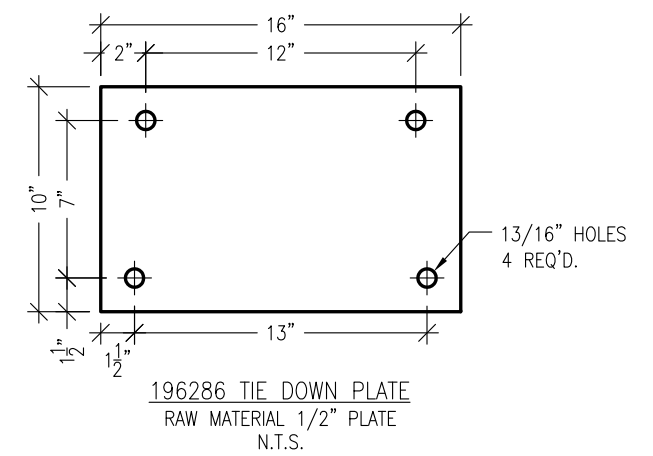
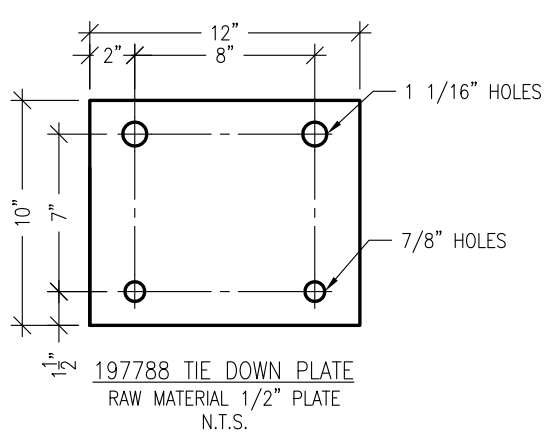
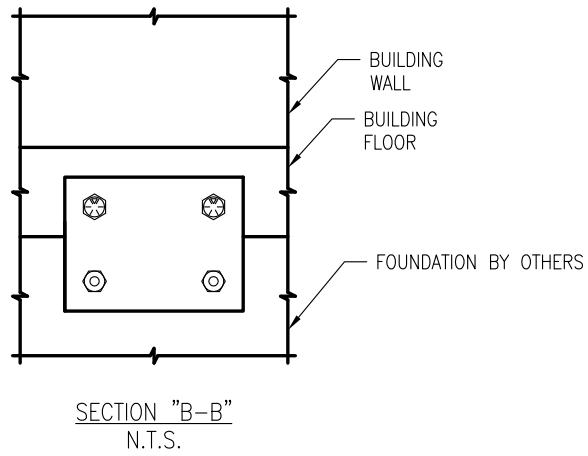
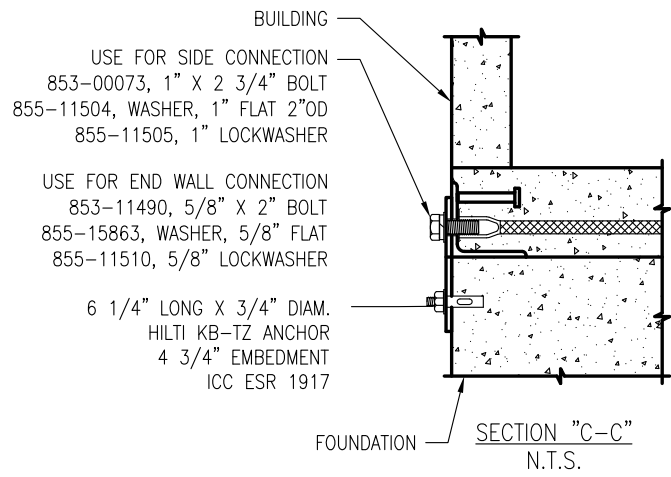


SLAB FOUNDATION

REFER TO EXTERIOR ELEVATIONS FOR QUANTITY AND LOCATIONS OF TIE-DOWN PLATES ALONG LONG WALLS.



- NOTES:
1. SLAB TO BE LEVEL $\pm 1/4$ ".
 2. SLAB FOUNDATION DESIGNED ASSUMING ALLOWABLE SOIL BEARING PRESSURE OF 2000 PSF PER NCBC.
 3. SLAB FOUNDATION DESIGNED ASSUMING MAXIMUM SOIL PLASTICITY INDEX OF 27 PER NCBC.
 4. CONCRETE STRENGTH FOR FOUNDATION DESIGN SHALL BE A MINIMUM OF 3000psi AT 28 DAYS.

REV.	BY	DATE	REVISION	APP.	DATE	BOM	DATE

THESE PLANS ARE THE CONFIDENTIAL PROPERTY AND TRADE SECRETS OF FIBREBOND CORPORATION. ANY USE OF THESE DRAWINGS OR THE INFORMATION CONTAINED HEREIN FOR ANY REASON OTHER THAN AS EXPRESSLY AUTHORIZED BY FIBREBOND CORPORATION IS STRICTLY PROHIBITED. THESE DRAWINGS HAVE BEEN DISTRIBUTED WITH THE UNDERSTANDING THAT ANYONE RECEIVING OR OTHERWISE OBTAINING POSSESSION OF THEM WILL BE EXPRESSLY NOTIFIED OF THEIR CONFIDENTIAL NATURE.

1300 DAVENPORT DRIVE MINDEN, LA. 71055
 ph. (800) 824-2614 www.fibrebond.com

AT&T MOBILITY

11'-5" X 24'-0" PATIO SHELTER

FOUNDATION PLAN

DRN. BY: CSP	DATE: 6/5/13	APP. BY: CSP	DATE: -
CHK. BY:	DATE:	APP. BY: MG	DATE: -

SCALE: NOTED SHEET NO.: 8

DWG NO.: D-9312