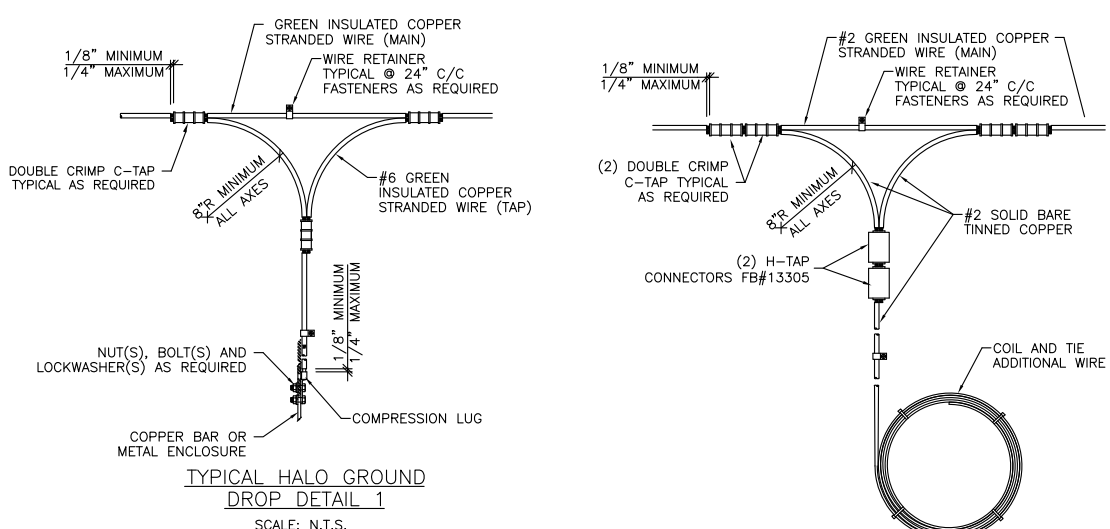
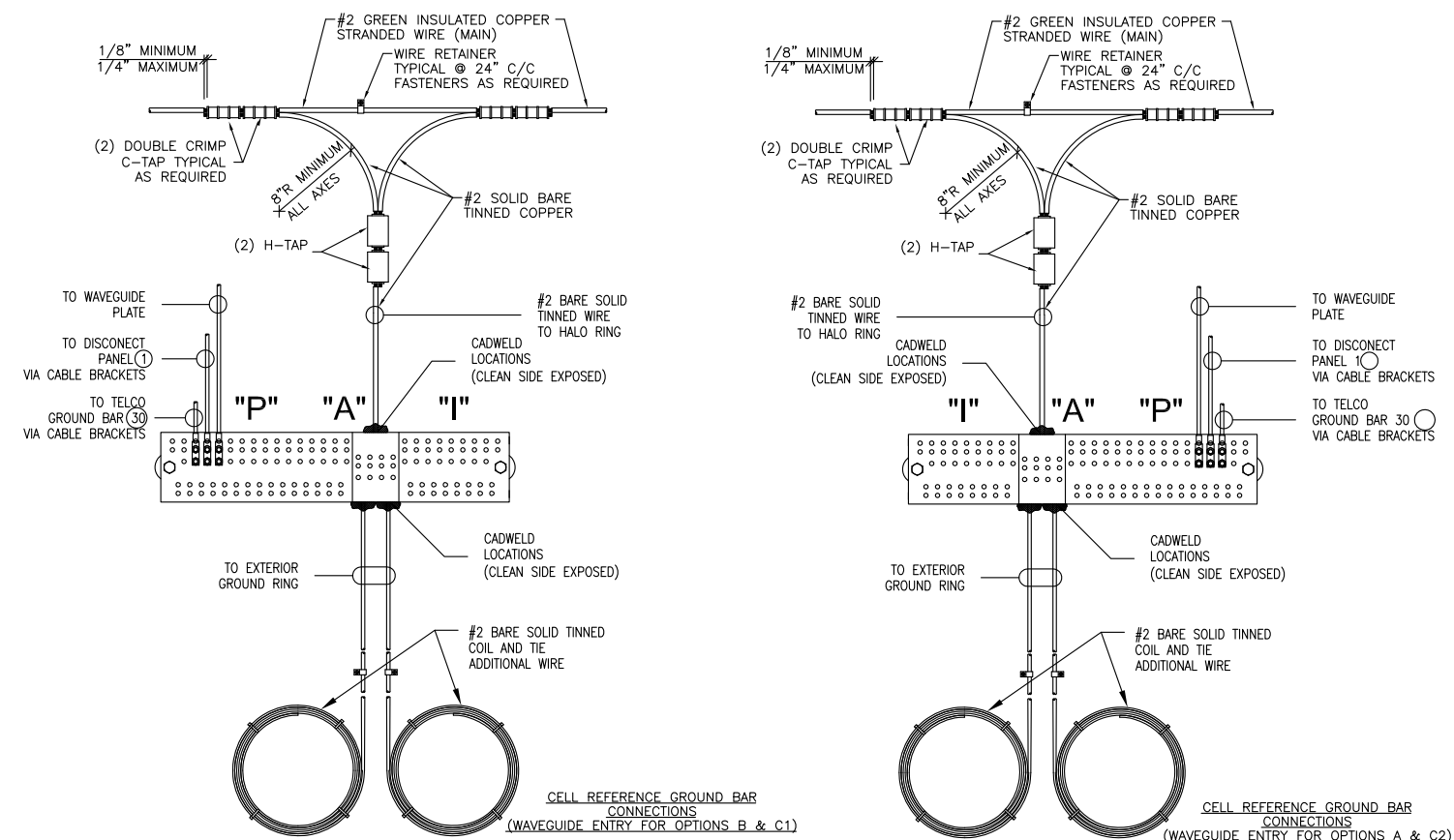


ORIENTATION OF CELL REFERENCE GROUND BAR TO WAVEGUIDE ENTRY FOR EACH LOCATION (WAVEGUIDE ENTRY FOR OPTIONS B & C-1)

ORIENTATION OF CELL REFERENCE GROUND BAR TO WAVEGUIDE ENTRY FOR EACH LOCATION (WAVEGUIDE ENTRY FOR OPTIONS A & C-2)

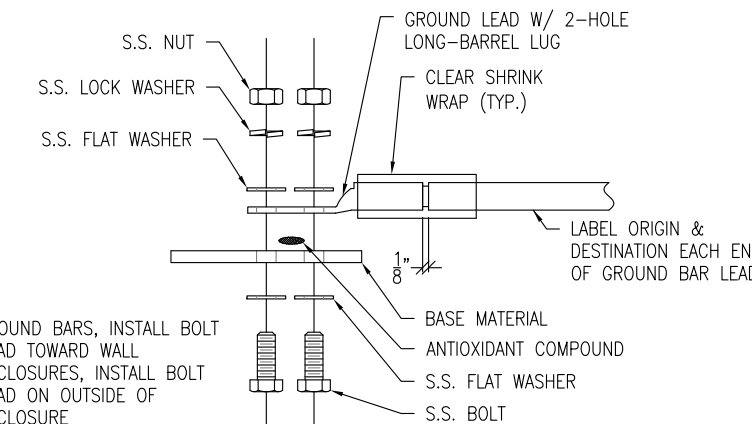
69" A.F.F.

69" A.F.F.



TYPICAL HALO GROUND DROP DETAIL 1
SCALE: N.T.S.

TYPICAL HALO GROUND GROUND CORNER DETAIL 2

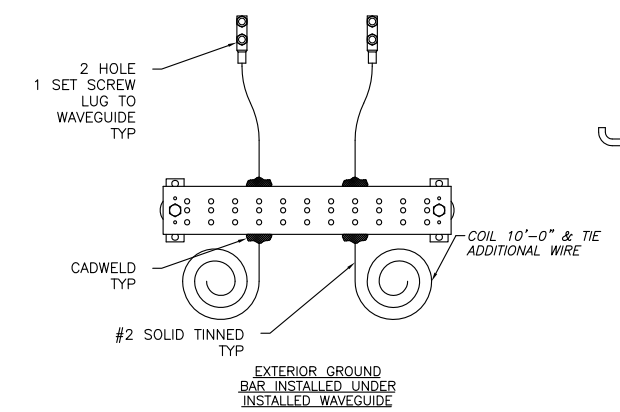


GROUND LUG INSTALLATION DETAIL
SCALE : NTS

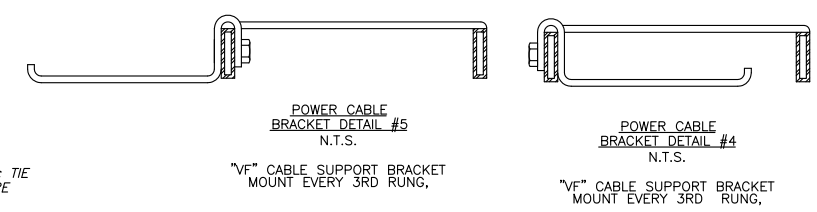
- NOTE:
1. GROUND BARS, INSTALL BOLT HEAD TOWARD WALL
2. ENCLOSURES, INSTALL BOLT HEAD ON OUTSIDE OF ENCLOSURE

NOTE:
SEE HALO GROUND CEILING VIEW FOR NOTES

GROUNDING LUG CHART				
FB #	WIRE SIZE	HOLES	HOLE SPACING	
830-12673	#2	(2) 5/16"Ø	5/8"	
830-21380	#4	(2) 5/16"Ø	5/8"	
830-21023	#6	(2) 5/16"Ø	5/8"	
830-21024	#2	(2) 7/16"Ø	1"	
830-11703	#4	(2) 7/16"Ø	1"	
830-22172	#6	(2) 7/16"Ø	1"	
830-20626	2/0	(2) 7/16"Ø	1"	



EXTERIOR GROUND BAR INSTALLED UNDER INSTALLED WAVEGUIDE



H-TAP & H-TAP COVER SELECTION CHART

H-TAP		H-TAP COVER		CONDUCTOR SIZES CODE WIRE (FLEX CABLE)			
FIBREBOND Part No.	MANUFACTURER Part No.	FIBREBOND Part No.	MANUFACTURER Part No.	MAIN	TAP 1	TAP 2	TAP 3
830-13305	HTCT2-2-1	830-13306	CLRCVR2-1	2-6 STR/SOL (2-8)	2-6 STR/SOL (2-8)	8-14 (8-14)	8-14 (8-14)
830-13304	HTCT250-2-1	830-13303	CLRCVR3-1	250-2 (4/0-2)	2-6 STR/SOL (2-8)	8-14 (8-14)	--
830-13310	HTCT250-250-1	830-13310	CLRCVR4-1	250-2 (4/0-2)	250-2 STR/SOL (2-8)	--	--

REV.	BY	DATE	REVISION	APP.	DATE	BOM	DATE

THESE PLANS ARE THE CONFIDENTIAL PROPERTY AND TRADE SECRETS OF FIBREBOND CORPORATION. ANY USE OF THESE DRAWINGS OR THE INFORMATION CONTAINED HEREIN FOR ANY REASON OTHER THAN AS EXPRESSLY AUTHORIZED BY FIBREBOND CORPORATION IS STRICTLY PROHIBITED. THESE DRAWINGS HAVE BEEN DISTRIBUTED WITH THE UNDERSTANDING THAT ANYONE RECEIVING OR OTHERWISE OBTAINING POSSESSION OF THEM WILL BE EXPRESSLY NOTIFIED OF THEIR CONFIDENTIAL NATURE.

1300 DAVENPORT DRIVE MINDEN, LA. 71055
ph. (800) 824-2614 www.fibrebond.com

AT&T MOBILITY
11'-5" X 24'-0" PATIO SHELTER
HALO GROUND DETAILS

DRN. BY: CSP DATE: 6/5/13 APP. BY: CSP DATE: -
CHK. BY: DATE: APP. BY: MG DATE: -

SCALE: NONE SHEET NO.: 7-4
DWG NO.: D-9312