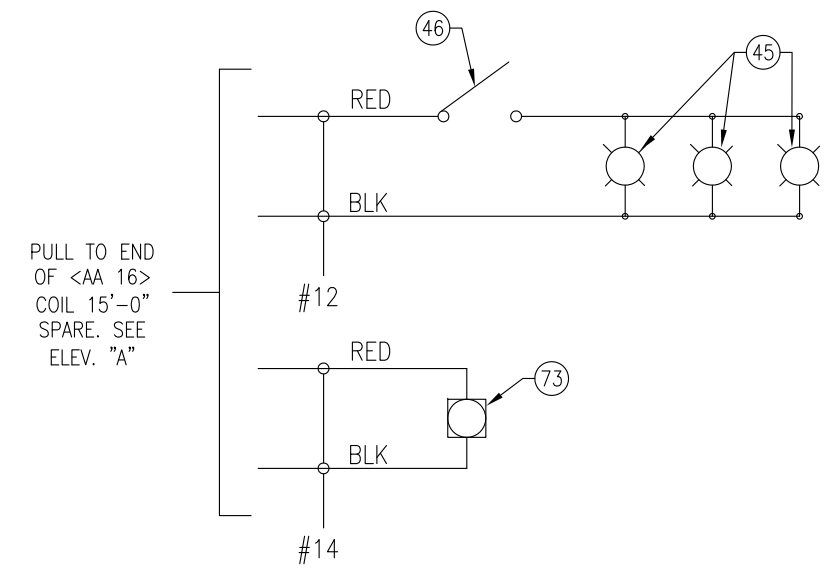


POWER RISER BLOCK DIAGRAM

- NOTES:
- DASHED LINES DENOTE FIELD WORK.
 - BUILDING ELECTRICAL SYSTEM IS RATED AT 10,000 A.I.C. IF HIGHER RATINGS ARE REQUIRED, IT IS THE RESPONSIBILITY OF SITE CONTRACTOR/ ENGINEER TO MEET SUCH REQUIREMENTS.
 - SERVICE BOND IS TO BE MADE BY DEVICES (STRAPS, SCREWS, ETC.) SUPPLIED BY EQUIPMENT MANUFACTURER. IF NO SUCH DEVICE IS SUPPLIED, BOND IS TO BE MADE IN ACCORDANCE WITH NEC ARTICLE 250.
 - WHEN SERVICE OVER CURRENT DISCONNECT IS FIELD INSTALLED AND HAS A NEUTRAL TO GROUND CONNECTION ESTABLISHED, REMOVE NEUTRAL TO GROUND CONNECTION IN TRANSFER SWITCH.
 - CONDUCTOR OVER CURRENT PROTECTION DEVICES ARE SELECTED IN ACCORDANCE WITH NEC (ARTICLE 240.3).
 - CONDUCTOR SIZING IS SELECTED FROM NEC (ARTICLE 215.2).
 - ALL LUGS THAT HOLD MORE THAN ONE WIRE SHALL BE LISTED FOR MULTI-BARRELL CONNECTIONS.
 - ALL CONDUCTORS SHALL BE COPPER.
 - LABEL SERVICE DISCONNECT WITH A RED TAG.
 - RECOMMENDED SERVICE ENTRANCE CONDUCTOR SIZE:
(3) 3/0 AWG & (1) #4 GROUND.



DC WIRING

REV.	BY	DATE	REVISION	APP.	DATE	BOM	DATE

THESE PLANS ARE THE CONFIDENTIAL PROPERTY AND TRADE SECRETS OF FIBREBOND CORPORATION. ANY USE OF THESE DRAWINGS OR THE INFORMATION CONTAINED HEREIN FOR ANY REASON OTHER THAN AS EXPRESSLY AUTHORIZED BY FIBREBOND CORPORATION IS STRICTLY PROHIBITED. THESE DRAWINGS HAVE BEEN DISTRIBUTED WITH THE UNDERSTANDING THAT ANYONE RECEIVING OR OTHERWISE OBTAINING POSSESSION OF THEM WILL BE EXPRESSLY NOTIFIED OF THEIR CONFIDENTIAL NATURE.

1300 DAVENPORT DRIVE MINDEN, LA. 71055
ph. (800) 824-2614 www.fibrebond.com

AT&T MOBILITY

11'-5" X 24'-0" PATIO SHELTER

ELECTRICAL SCHEMATIC #2

DRN. BY: CSP	DATE: 6/5/13	APP. BY: CSP	DATE: -
CHK. BY:	DATE:	APP. BY: MG	DATE: -

F
FIBREBOND

SCALE: NONE SHEET NO.: 3-2

DWG NO.: D-9312