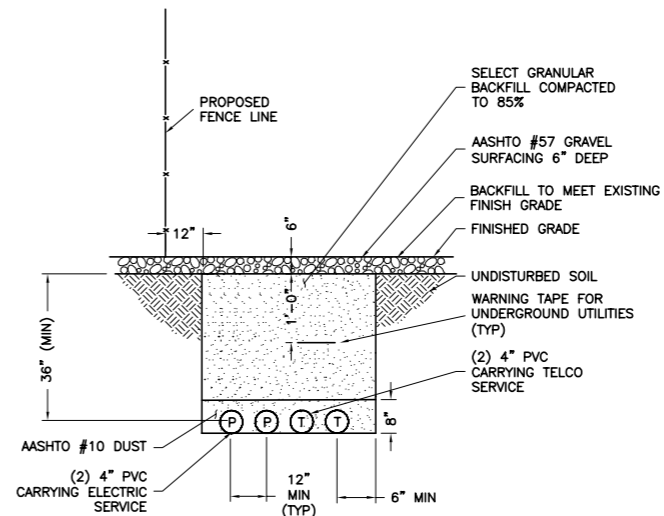
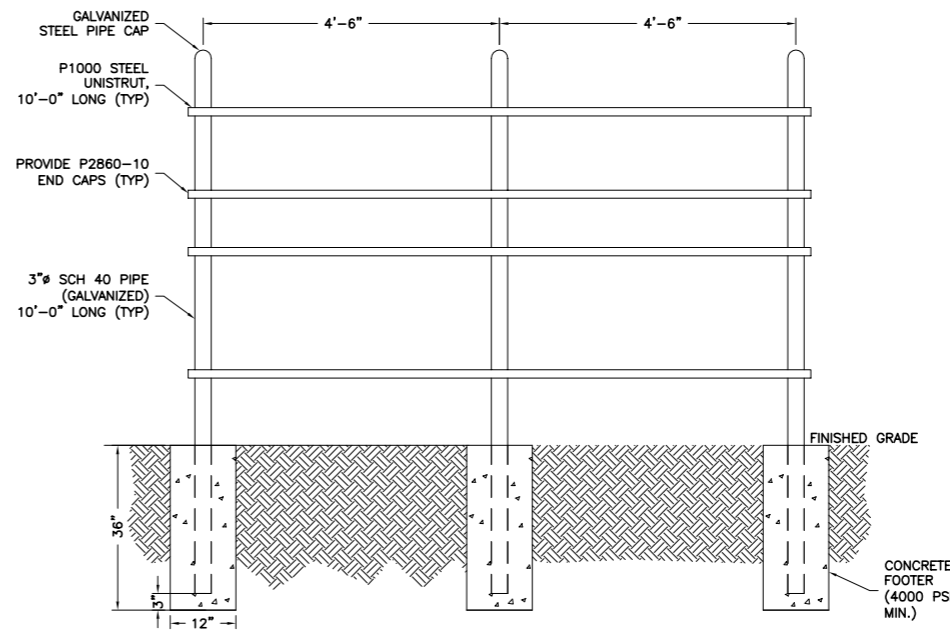


1 ELECTRICAL PLAN
SCALE: 1" = 5'



NOTE:
1. EXCAVATE EXISTING SUBGRADE AS REQUIRED TO INSTALL CONDUITS IN ACCORDANCE WITH OSHA AND ALL APPLICABLE CODES.

2 TYPICAL TRENCH DETAIL
E-1 NTS



3 UTILITY ELEVATION
E-1 NTS

ENGINEER

NB+C
TOTALLY COMMITTED.

NB+C ENGINEERING SERVICES, LLC.
100 APOLLO DRIVE
SUITE 303
CHELMSFORD, MA 01824
(978) 856-6308

APPLICANT



ME5372
LUCAS TREE
636 RIVERSIDE STREET
PORTLAND, ME 04103
CITY OF PORTLAND

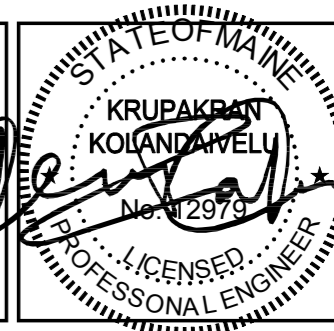
SITE INFORMATION

REVISIONS

REV	DATE	DESCRIPTION	BY
7	12/12/16	REVISED PER RF SHEET	MJS
6	02/09/15	FINAL CDs	KMD
5	01/05/15	REVISED PER RF SHEET	KMD
4	08/27/14	REVISED COORDINATES	KMD
3	06/06/14	REVISED PER COMMENTS	DAK
2	05/22/14	PRELIMINARY CDs	DAK
1	03/20/14	REVISED PER COMMENTS	DAK
0	10/10/13	PRELIMINARY ZDs	DAK

DESIGN RECORD

PROFESSIONAL STAMP



ENGINEER

KRUPAKARAN KOLANDAIVELU P.E.
ME PROFESSIONAL ENGINEER LIC. #12979

SHEET TITLE

**ELECTRICAL PLAN
& DETAILS**

SHEET NUMBER

E-1