



**NE**  
**TOTALLY**  
NB+C ENGINEER  
1777 CENTRAL  
DURHAM  
BLUE ISLAND  
VT

Reviewed for Code Compliance  
Inspections Division  
Approved with Conditions

Date: 07/08/14



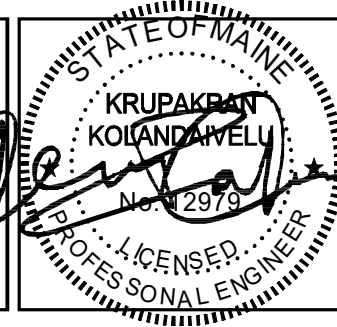
550 COONILLUATE ROAD  
FRAMINGHAM, MA 01701

ME5372  
LUCAS TREE  
636 RIVERSIDE STREET  
PORTLAND, ME 04103  
CITY OF PORTLAND

**REVISIONS**

REV	DATE	DESCRIPTION	BY
3	06/06/14	REVISED PER COMMENTS	DAK
2	05/22/14	PRELIMINARY CDs	DAK
1	03/20/14	REVISED PER COMMENTS	DAK
0	10/10/13	PRELIMINARY ZDs	DAK

PROFESSIONAL STAMP



ENGINEER

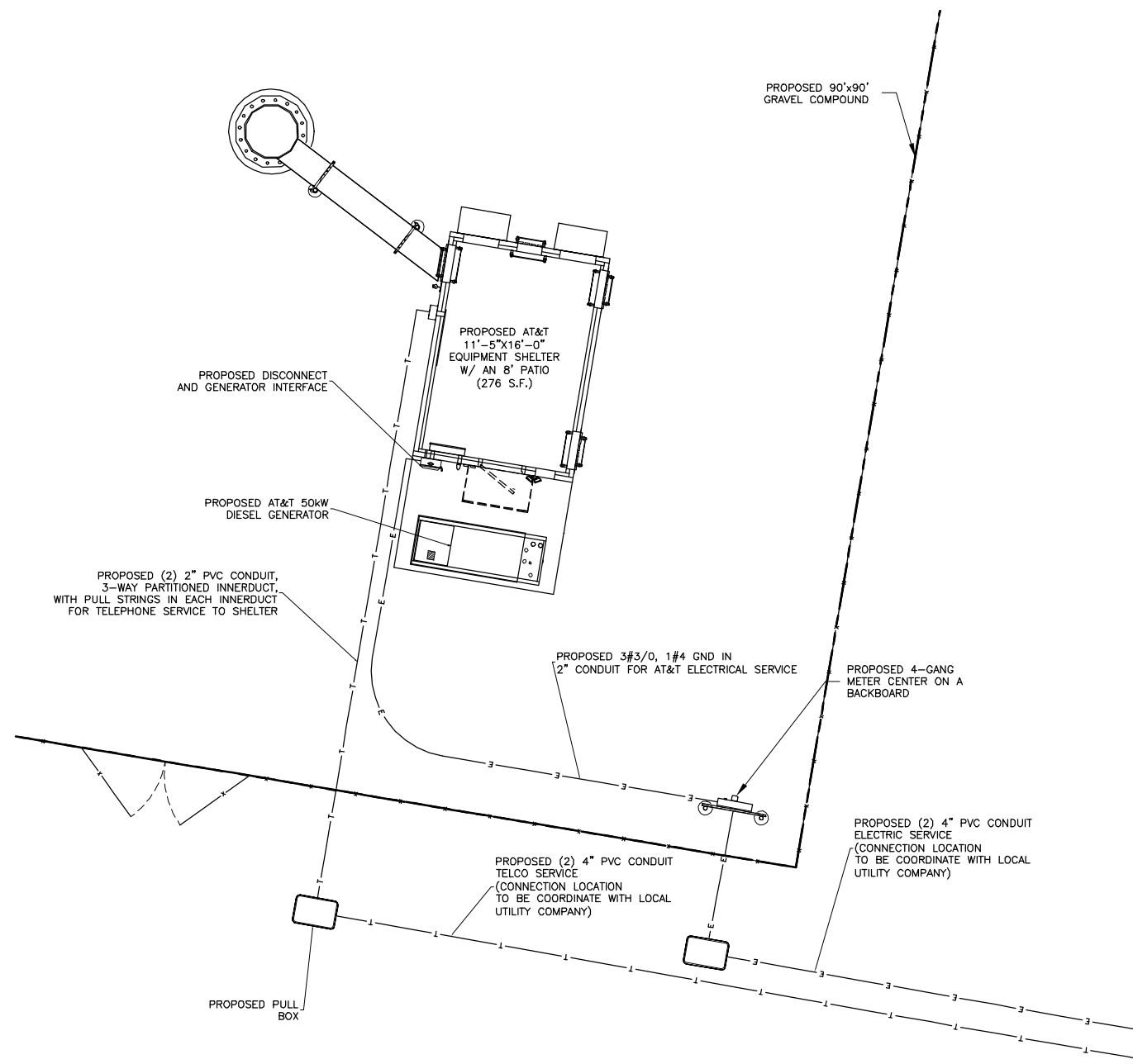
KRUPAKARAN KOLANDAIVELU P.E.  
ME PROFESSIONAL ENGINEER LIC. #12979

SHEET TITLE

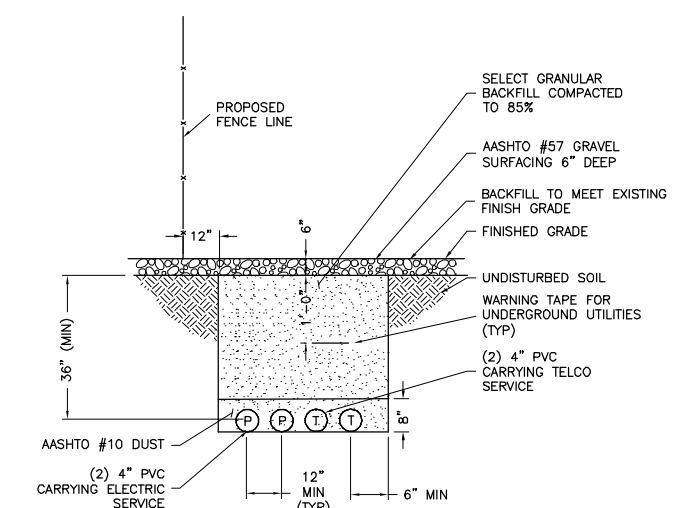
**ELECTRICAL PLAN  
& DETAILS**

SHEET NUMBER

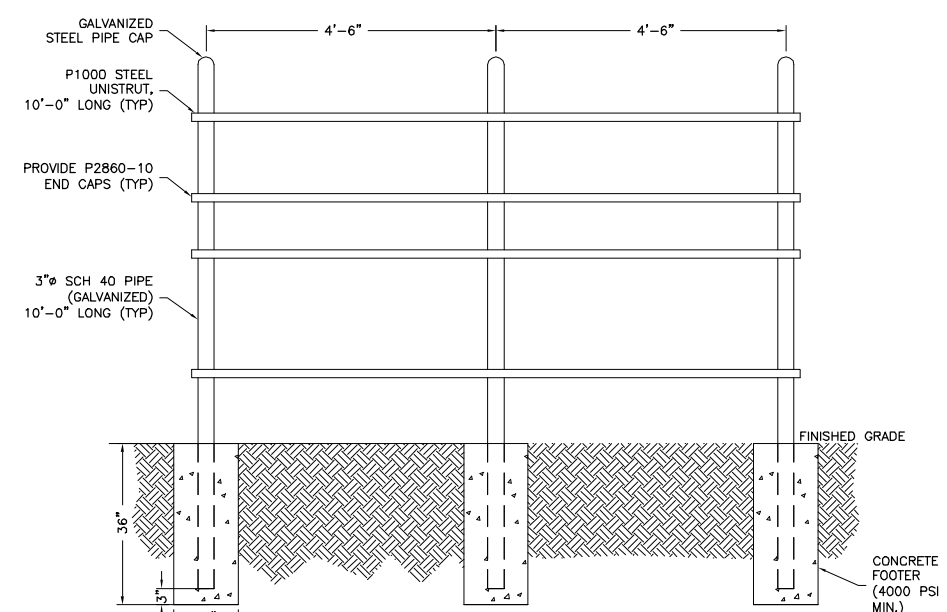
**E-1**



**1 ELECTRICAL PLAN**  
SCALE: 1" = 5'



**2 TYPICAL TRENCH DETAIL**  
NTS



**3 UTILITY ELEVATION**  
NTS