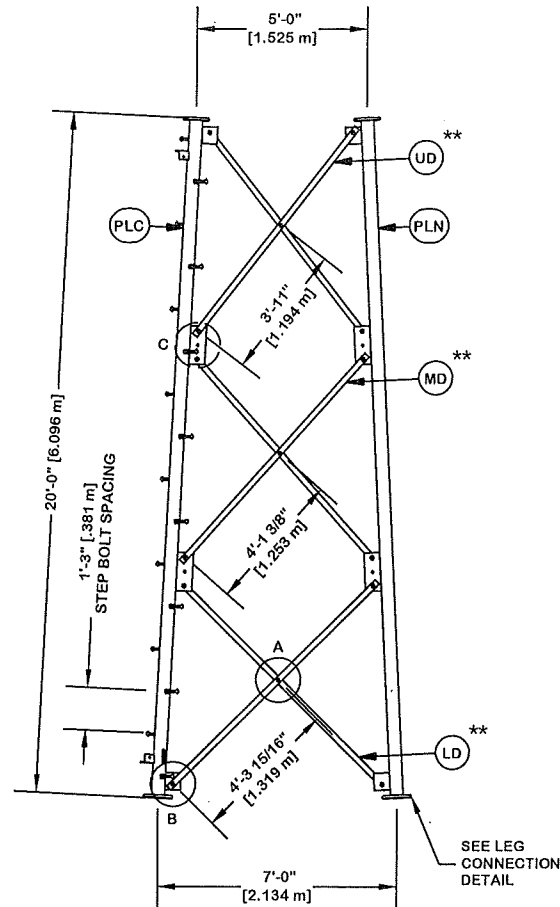


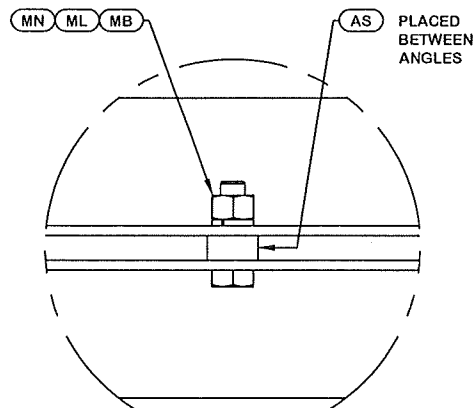
ORIENT LEGS WITH P/N STAMP
TOWARD BOTTOM OF SECTION

ORIENT ANGLES WITH STAMPED
END TOWARD TOP OF SECTION

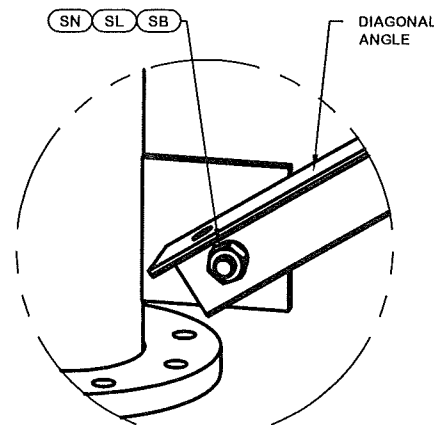
** DIAGONAL ANGLES MUST BE INSTALLED
WITH THE NON-BOLTED FACE UP, ↑
THIS MAY BE ON THE OPPOSITE SIDE OF THE
SIDE PLATE THAN WHAT IS SHOWN IN THE DETAIL.



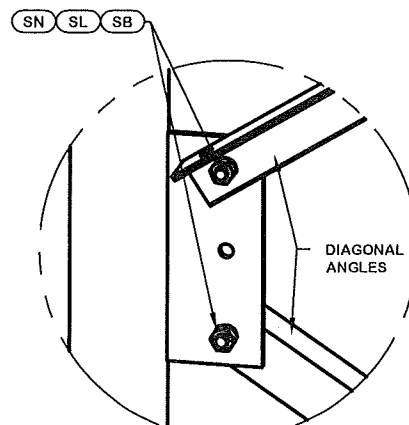
PARTS LIST					
ITEM	QTY	PART NO.	PART DESCRIPTION	UNIT WT.	NET WT.
PLC	1	226200	PIPE LEG SECTION 20'-0" (CLIMBING) 5" SCH. 40 V-SE	389.610	389.610
PLN	2	226201	PIPE LEG SECTION 20'-0" (NON-CLIMBING) 5" SCH. 40	386.250	772.500
STP	16	228189	STEP BOLT ASSY 5/8"-11 X 7" W/ LOCK WASHER HEAVY	1.100	17.600
LD	6	231342	ANGLE V-7 LOW 101 3/16" (W/45 CLIPPED)	21.600	129.600
MB	9	227580	5/8"-11 X 2-1/4" A325T HOT DIPPED GALV. BOLT (FULL)	0.640	5.760
AS	9	124838	MID-DIAGONAL SPACER 1 1/16" HOLE 3/8" THICK	0.450	4.050
MN	9	312501	5/8"-11 HOT DIPPED GALVANIZED NUT	0.120	1.080
ML	9	312123	5/8" GALVANIZED LOCKWASHER (53-22230)	0.020	0.180
SL	36	312153	3/4" GALVANIZED LOCKWASHER	0.030	1.080
SN	36	312502	3/4"-10 HOT DIPPED GALVANIZED NUT	0.190	6.840
SB	36	227579	3/4"-10 X 2-1/4" A-325T BOLT WITH FULL THREAD	0.420	15.120
MD	6	226189	ANGLE V-7 MID 95 13/16"	20.460	122.760
UD	6	226190	ANGLE V-7 UP 90 27/32"	19.390	116.340
LCB	24	227668	3/4"-10 X 3-1/2" A-325T BOLT WITH FULL THREAD	0.540	12.960
LCF	24	312152	3/4" GALVANIZED FLAT WASHER (F436)	0.080	1.920
LCL	24	312153	3/4" GALVANIZED LOCKWASHER	0.030	0.720
LCN	24	312502	3/4"-10 HOT DIPPED GALVANIZED NUT	0.190	4.560
Total Wt				1602.68 lb [727.63 kg]	



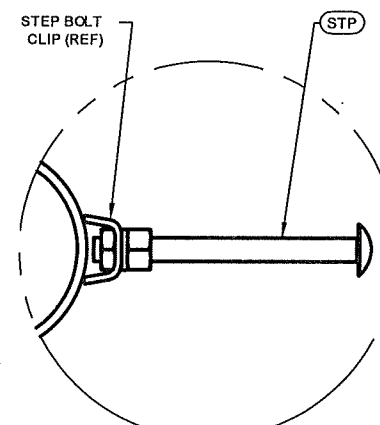
DETAIL A
ANGLE INTERSECTION CONNECTION



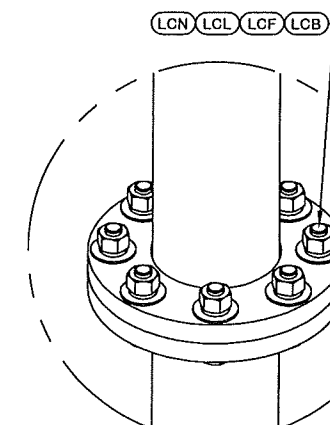
DETAIL B
END SIDE PLATE ANGLE CONNECTION



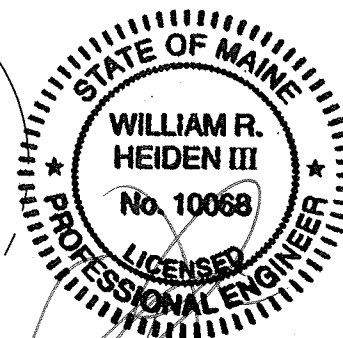
DETAIL C
MID SIDE PLATE ANGLE CONNECTION



STEP BOLT INSTALLATION



LEG TO LEG CONNECTION
(SIDE PLATES NOT SHOWN FOR CLARITY)



NOV 15 2016

William R. Heiden III, ME P.E. #10068

@A <ACBATCH>		SKK 8/10/2016		SITE CITY OF PORTLAND FD, ME MOTOROLA SOLUTIONS U 19 X 180'		DESCRIPTION SECTION V-7.0 (120' - 140' ELEVATION)		 1-877-467-4763 Plymouth, IN 1-800-547-2151 Salem, OR	
REV DESCRIPTION OF REVISIONS REVISION HISTORY		CPD BY DATE		COPYRIGHT 2013 PROPRIETARY NOTE: THE DATA AND TECHNIQUES CONTAINED IN THIS DRAWING ARE PROPRIETARY INFORMATION OF VALMONT INDUSTRIES AND CONSIDERED A TRADE SECRET. ANY USE OR DISCLOSURE WITHOUT THE CONSENT OF VALMONT INDUSTRIES IS STRICTLY PROHIBITED.		STRUCTURE APPROVAL SKK 8/10/2016		FOUNDATION APPROVAL	
						ENG. FILE NO. 324370		DWG. NO. 268614T	