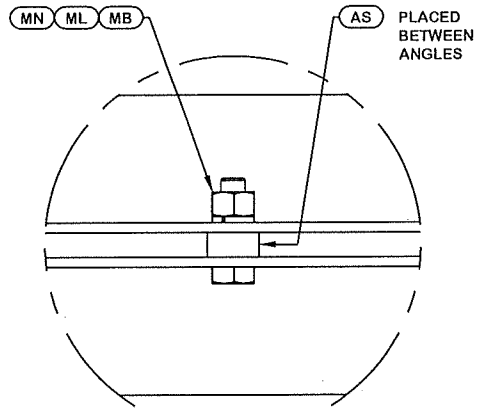
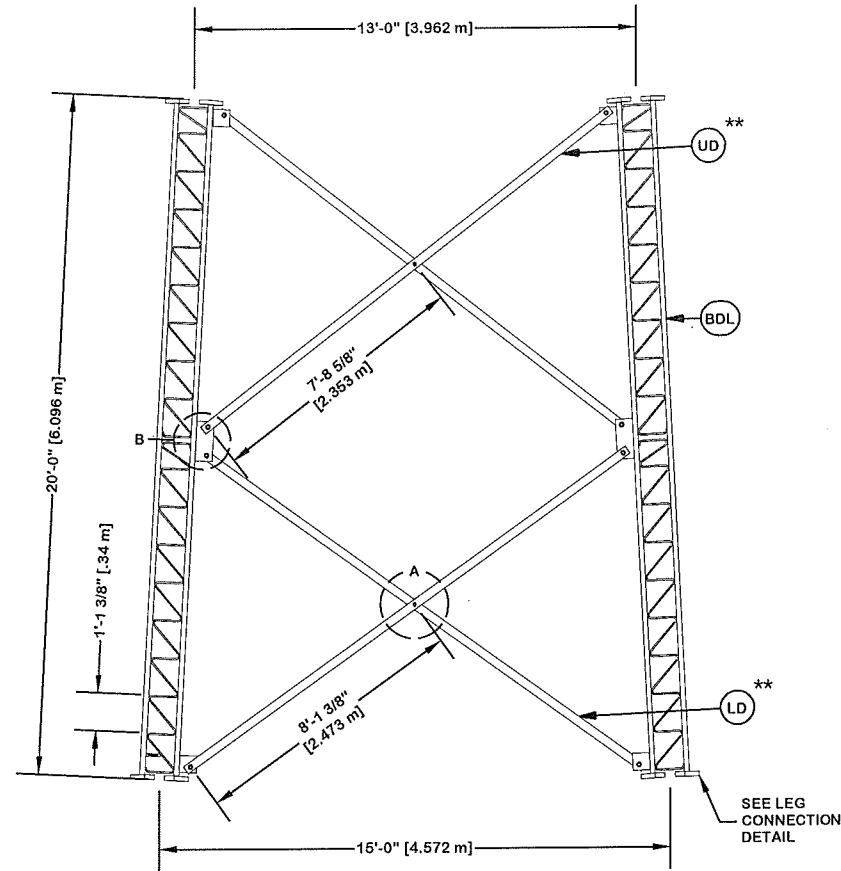


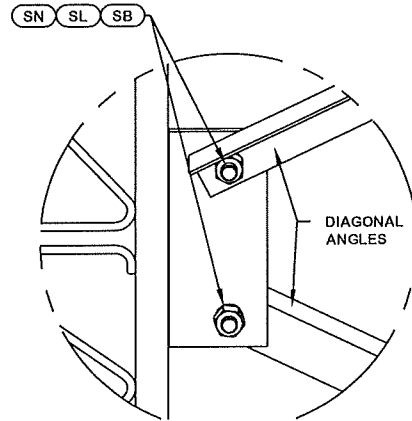
ORIENT LEGS WITH P/N STAMP
TOWARD BOTTOM OF SECTION

ORIENT ANGLES WITH STAMPED
END TOWARD TOP OF SECTION

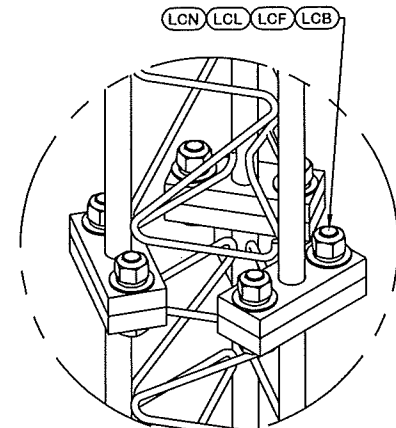
** DIAGONAL ANGLES MUST BE INSTALLED
WITH THE NON-BOLTED FACE UP,
THIS MAY BE ON THE OPPOSITE SIDE OF THE
SIDE PLATE THAN WHAT IS SHOWN IN THE DETAIL.



DETAIL A
ANGLE INTERSECTION CONNECTION

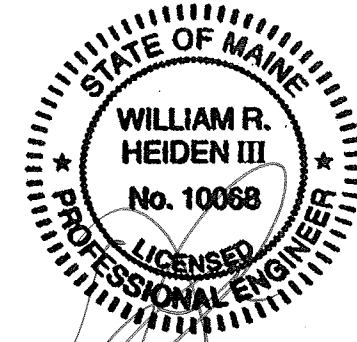


DETAIL B
MID SIDE PLATE ANGLE CONNECTION



LEG TO LEG CONNECTION
(SIDE PLATES NOT SHOWN FOR CLARITY)

PARTS LIST					
ITEM	QTY	PART NO.	PART DESCRIPTION	UNIT WT.	NET WT.
BDL	3	194651	#12 LEG SECTION - 1-1/2" LEG - 1/2" BRACE - 1" BOL	602.830	1808.490
LD	6	105582	DIAG BRACE 3/16" X 3" X 3" 15'- 11-31/32" LONG (A)	62.150	372.900
AS	6	104291	SPACER 1/2" THICK 13/16" HOLE	0.500	3.000
MN	6	312502	3/4"-10 HOT DIPPED GALVANIZED NUT	0.190	1.140
ML	6	312153	3/4" GALVANIZED LOCKWASHER	0.030	0.180
MB	6	160427	3/4"-10 X 3" A-325T BOLT WITH FULL THREAD	0.470	2.820
SL	24	312223	1" GALVANIZED LOCKWASHER	0.080	1.920
SN	24	312504	1"-8 HOT DIPPED GALVANIZED NUT	0.430	10.320
SB	24	172265	1"-8 X 2-1/4" A-325 BOLT WITH 1-3/4" THREAD	0.840	20.160
UD	6	105579	DIAG BRACE 3/16" X 3" X 3" 15'- 2-3/8" LONG (A-36)	59.040	354.240
LCB	18	222016	1"-8 X 4-3/4" A-325 BOLT WITH 1-3/4" THREAD	1.380	24.840
LCF	18	312222	1" GALVANIZED FLAT WASHER (F436)	0.140	2.520
LCL	18	312223	1" GALVANIZED LOCKWASHER	0.080	1.440
LCN	18	312504	1"-8 HOT DIPPED GALVANIZED NUT	0.430	7.740
Total Wt				2611.71 lb [1185.74kg]	



NOV 15 2016

William R. Heiden III, ME P.E. #10068

REV	DESCRIPTION OF REVISIONS	CPD	BY	DATE
@A	<ACBATCH>		SKK	8/10/2016
REVISION HISTORY				

SITE	CITY OF PORTLAND FD, ME MOTOROLA SOLUTIONS U 19 X 180'
COPYRIGHT 2013	
PROPRIETARY NOTE:	THE DATA AND TECHNIQUES CONTAINED IN THIS DRAWING ARE PROPRIETARY INFORMATION OF VALMONT INDUSTRIES AND CONSIDERED A TRADE SECRET. ANY USE OR DISCLOSURE WITHOUT THE CONSENT OF VALMONT INDUSTRIES IS STRICTLY PROHIBITED.

DESCRIPTION	SECTION U-15.0 (40' - 60' ELEVATION)
STRUCTURE APPROVAL	SKK 8/10/2016
FOUNDATION APPROVAL	

1-877-467-4763 Plymouth, IN 1-800-547-2151 Salem, OR	
ENG. FILE NO.	324370
DWG. NO.	268614T
PAGE	5 OF 11