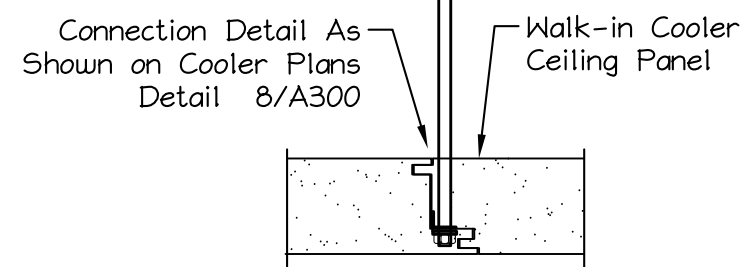
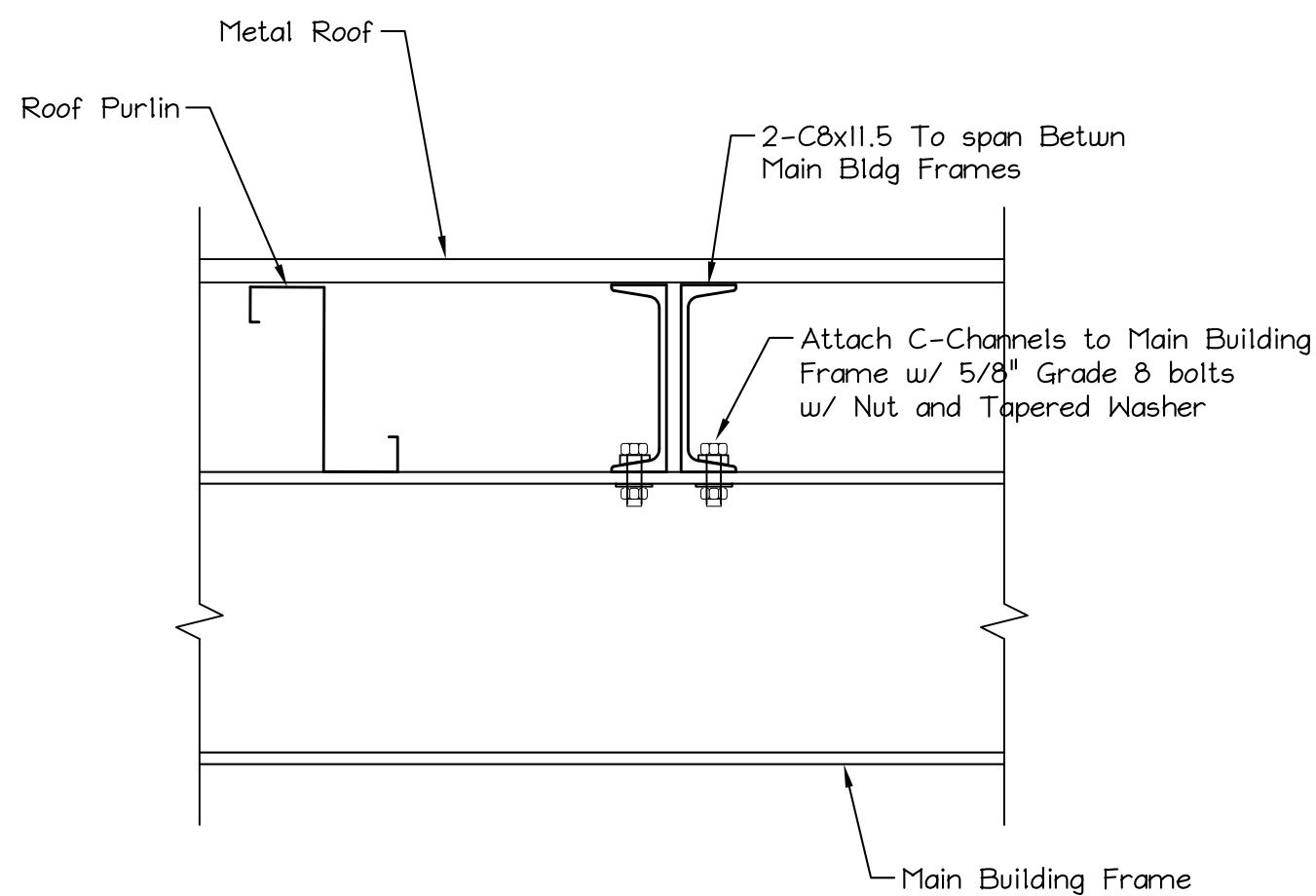


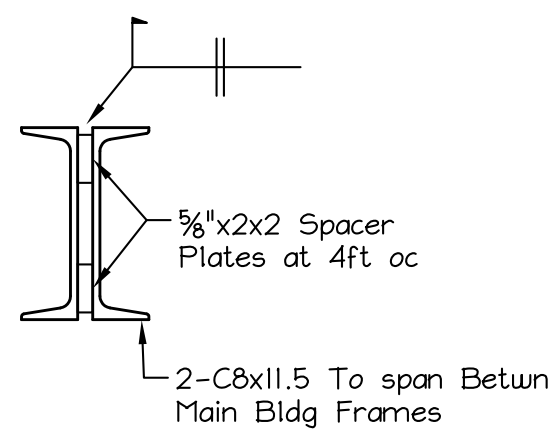
AHU Support Detail B



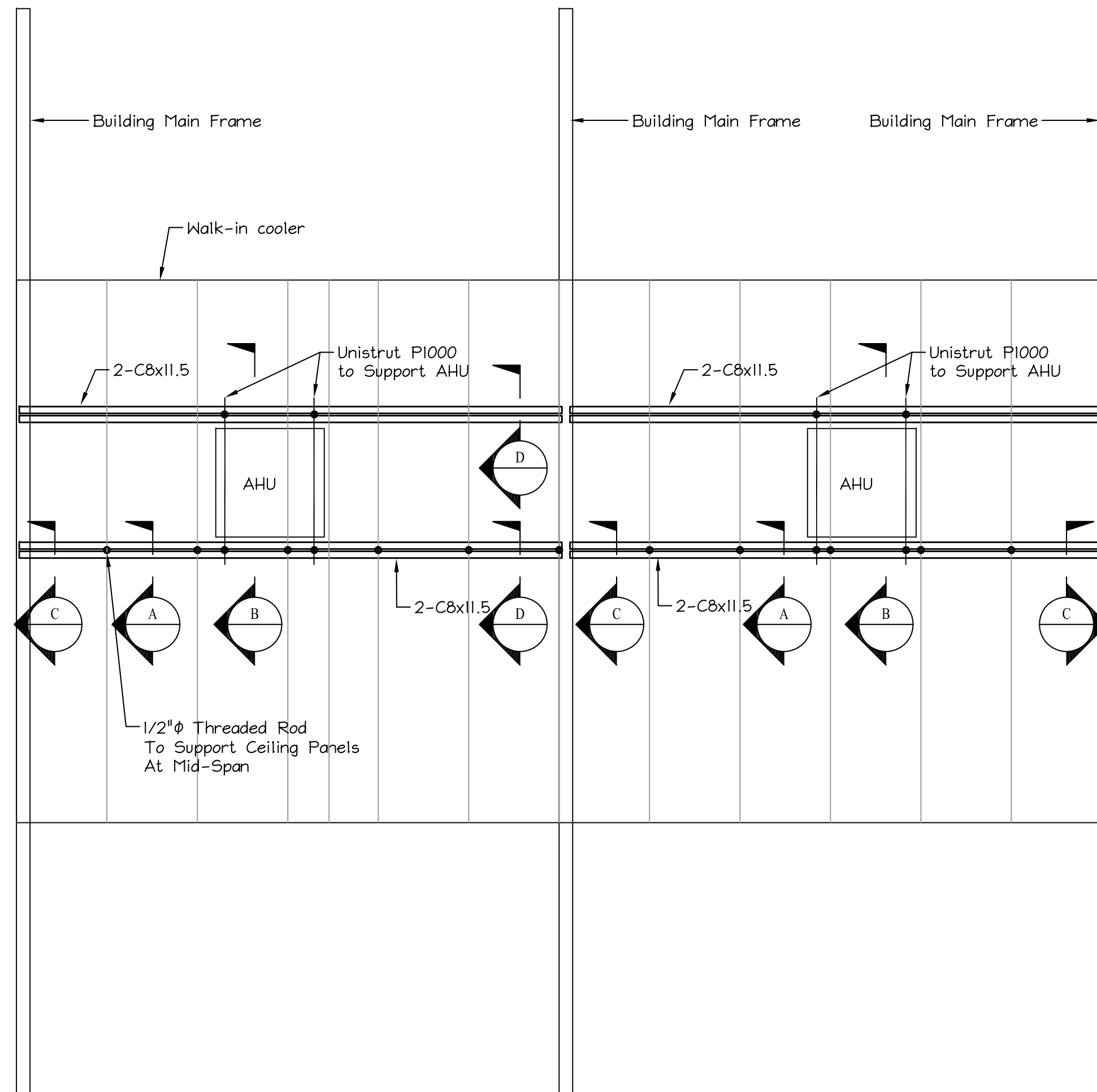
Walk-In Cooler Ceiling Panel Support Detail A



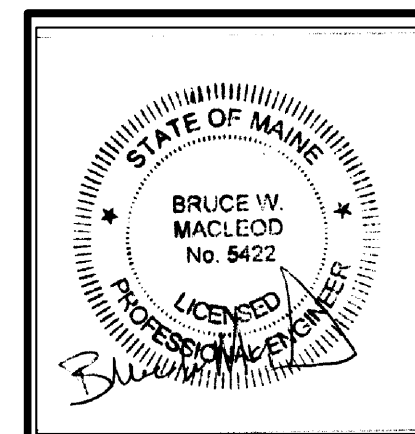
C-Channel to Building Frame Connection Detail C



C-Channel Fabrication Detail D



KEY PLAN
scale: 1/4"=1'-0"



MacLeod Structural Engineers, PA		
404 Main Street Gorham, Maine 04038 207.839.0980		
470 RIVERSIDE STREET UNIT #3 Portland, Maine		
WALK-IN COOLER SUPPORT		
TITLE: KEY PLAN & DETAILS		
DATE: 12.15.16	DRAWN BY: BWM	DRAWING NUMBER: S-1
SCALE: as noted	PROJ NO: 2016-082	