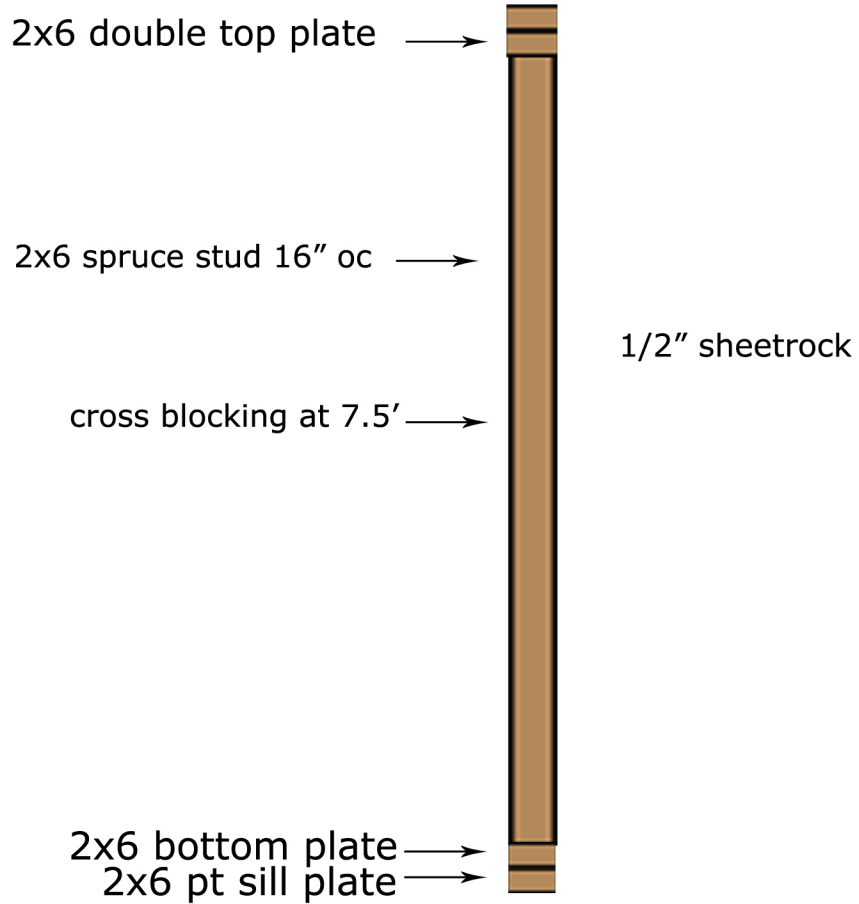
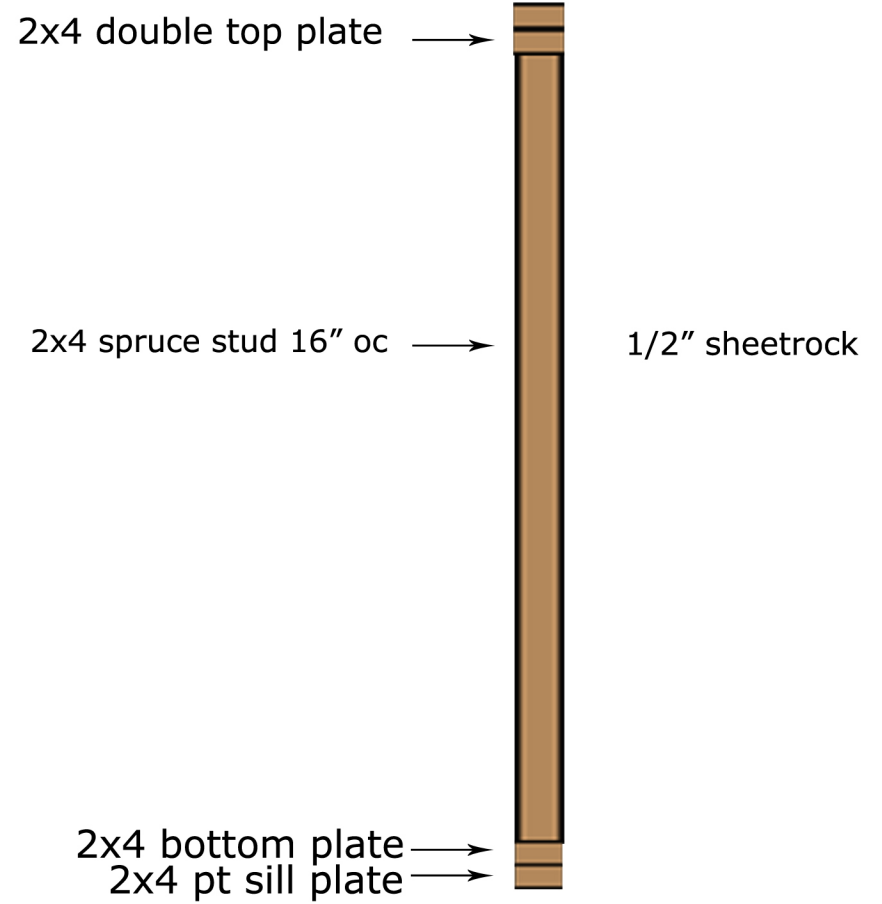


**15' +/- wall in warehouse space**



**wall in office space**



\*no walls will be load bearing\*