

EXTENSION/CANOPY BOLTS

MARK	QUAN	TYPE	DIA	LENGTH
EB-1	4	A325	3/4"	2"
EB-2	4	A325	3/4"	2"
EB-3	4	A325	2 1/4"	2"

STUB PURLIN

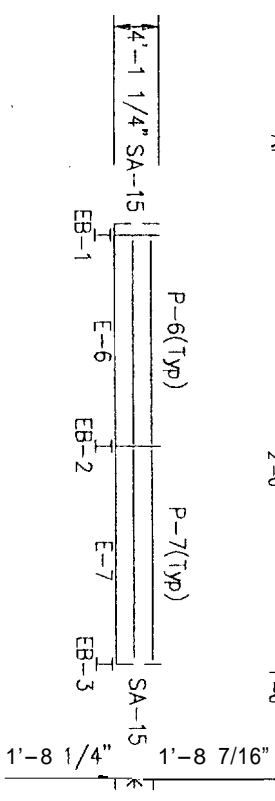
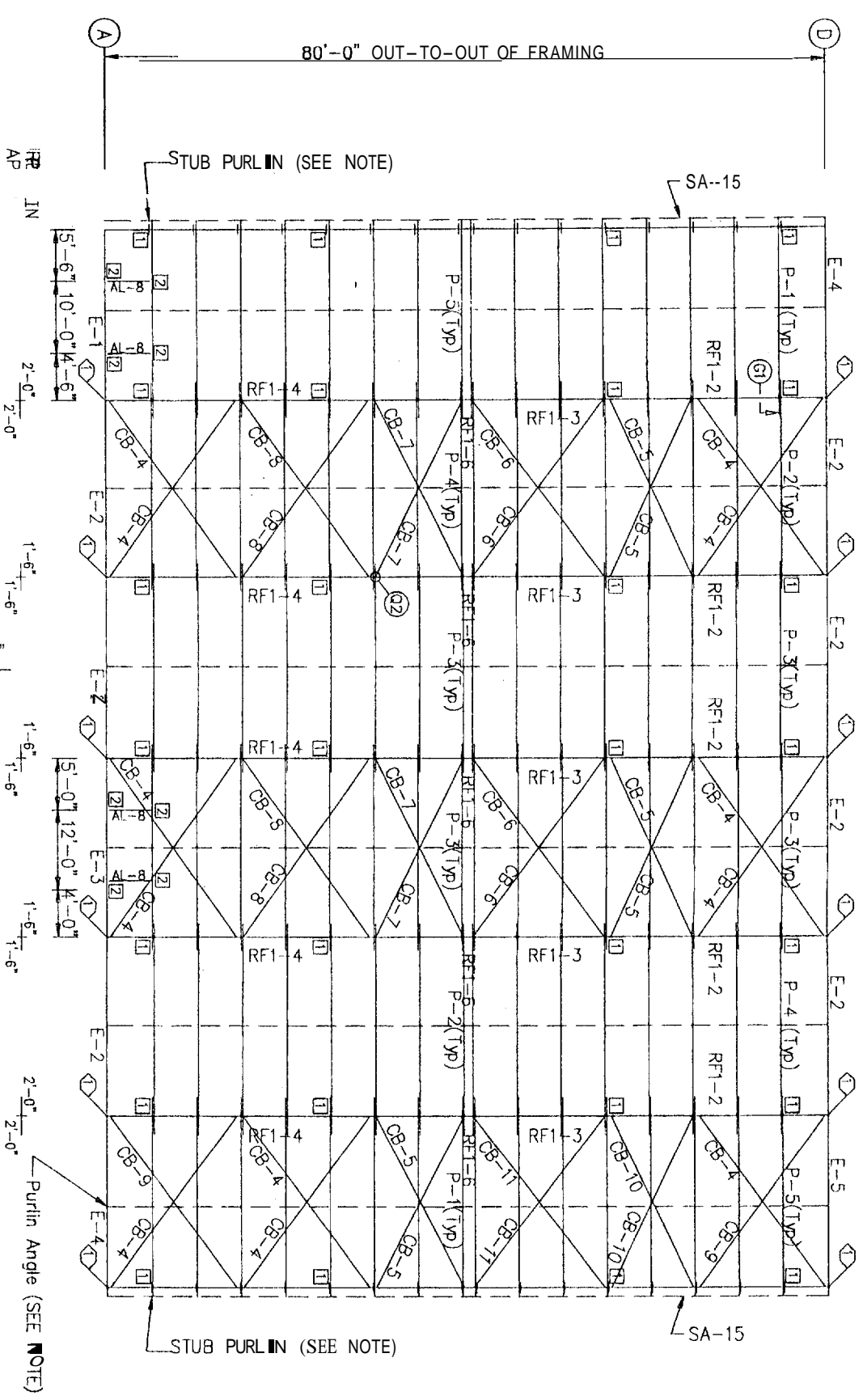
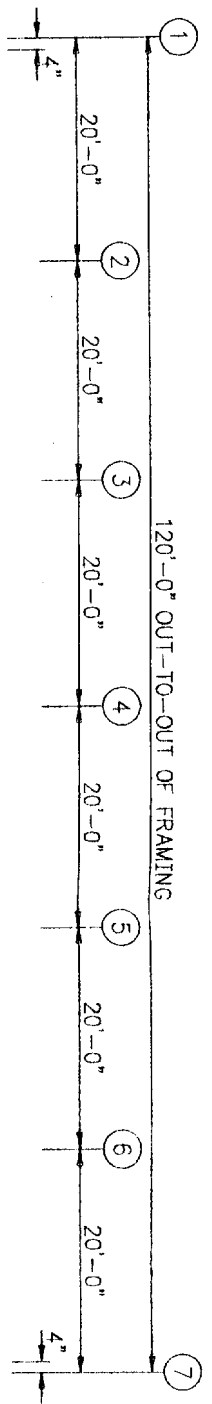
ID	QUAN	TYPE	DIA	LENGTH	WASH
1	2	A325	1 1/2"	1 1/4"	2

CONNECTION PLATES

ID	MARK/PART
1	FC-209

MEMBER TABLE

MARK	PART
EB-1	W09583
EB-2	W09583
EB-3	W09583
P-1	9215
P-2	9215
P-3	9215
P-4	9215
P-5	9215
P-6	9215
P-7	9215
E-1	8C16
E-2	8C16
E-3	8C16
E-4	8C16
E-5	8C16
E-6	9216
E-7	9216
CB-4	CABLE: 5/16" Ø
CB-5	CABLE: 5/16" Ø
CB-6	CABLE: 5/16" Ø
CB-7	CABLE: 5/16" Ø
CB-8	CABLE: 5/16" Ø
CB-9	CABLE: 5/16" Ø
CB-10	CABLE: 5/16" Ø
CB-11	CABLE: 5/16" Ø



CANOPY FRAMING PLAN

ROOF FRAMING PLAN

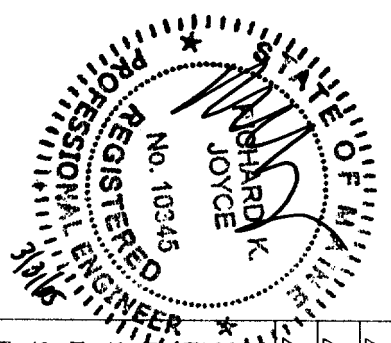
STUB PURLIN NOTES:

- 1) Stub purlin as required on roof plan.
- 2) FC-27 with 6 1/2" purlins.
- 3) FC-28 with 9" purlins.
- 4) See section A1, A2, A3, or A9.
- 5) Locate stub purlin under roof purlin.

PURLIN ANGLE NOTES:

(MARK: PBA-10, SIZE: 1"x1"x16 GAGE)

If shown on drawings PBA-10 is located as shown. One row is at midpoint of bay, two rows are at 1/3 points of bay, three rows are at 1/4 points of bay.



Sunward Corporation

BUYER: Mainland Structure Corp.
 JUST: Alexander-Russel Company, LLC

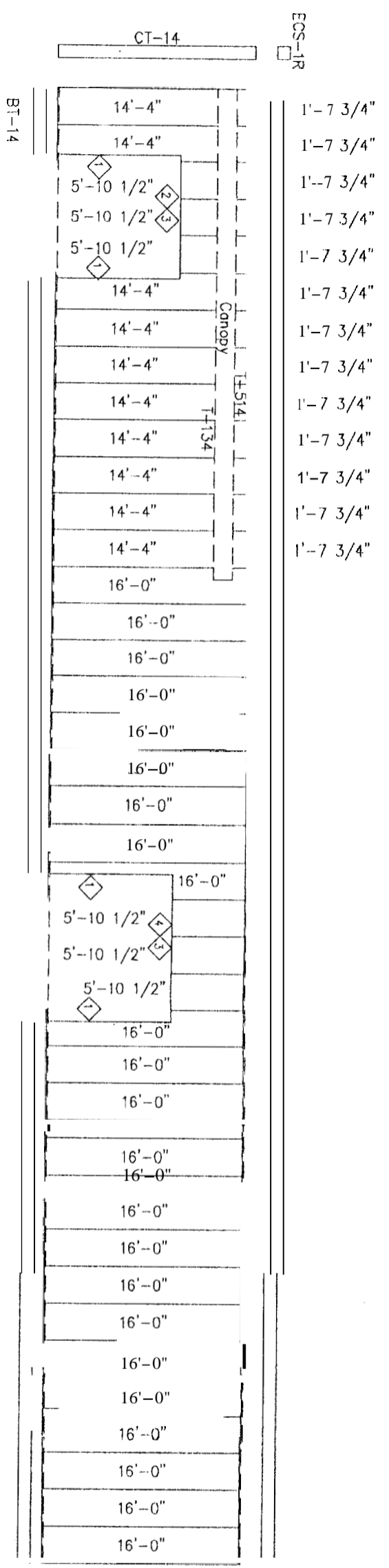
SITE: Portland, ME
 DESCR: 80.0 x 120.0 x 16.0
 SCALE: NONE

1.0:12
 DES. ENG.: M.B.
 CHECK BY: 3.30.05

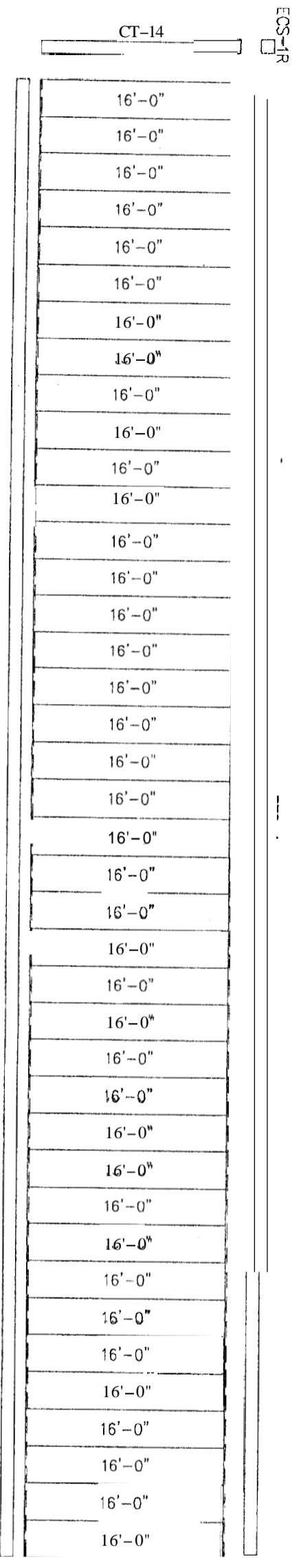
DRAWN BY: WAG
 3/28/05

P.O. : G29268
 SHEET NO. ES OF 10

TRIM TABLE			
FRAME LINE A & D			
ID	PART	LENGTH	DETAIL
1	CT-14	172"	TRIM_30
2	ETS-14	172"	TRIM_1
3	JTM-108	124"	TRIM_10
4	HT-108	124"	TRIM_9
	FTC-14	172"	TRIM_9
	HT-148	172"	TRIM_9

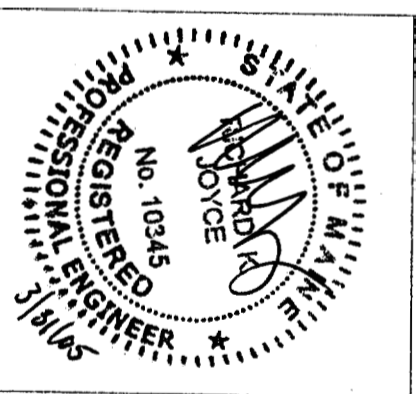


ELEVATION AT: FRAME LINE A



ELEVATION AT: FRAME LINE D

GENERAL NOTES:
 At framed openings the sheeting is field cut as required.

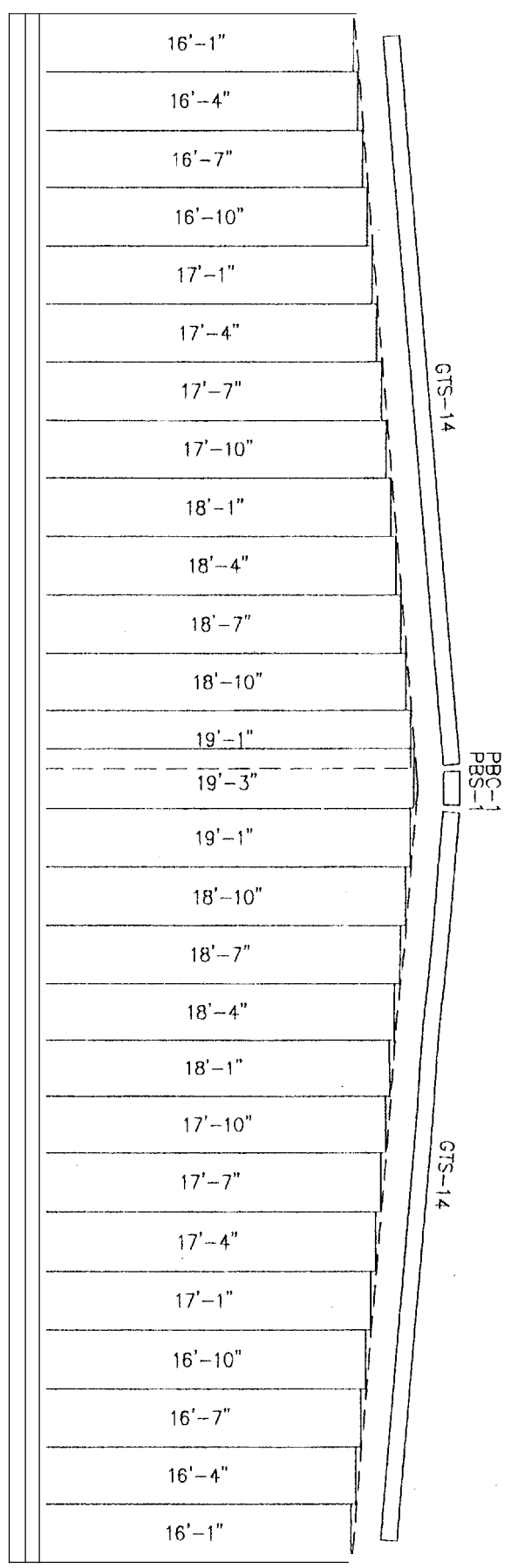


DDD

Sunward Corporation
 BUYER: Mainland Structure Corp.
 CUST: Alexander-Russell Company, LLC
 SITE: Portland, ME
 DESCR: 80.0 x 120.0 x 16.0
 SCALE: NONE
 P.O.: G29268

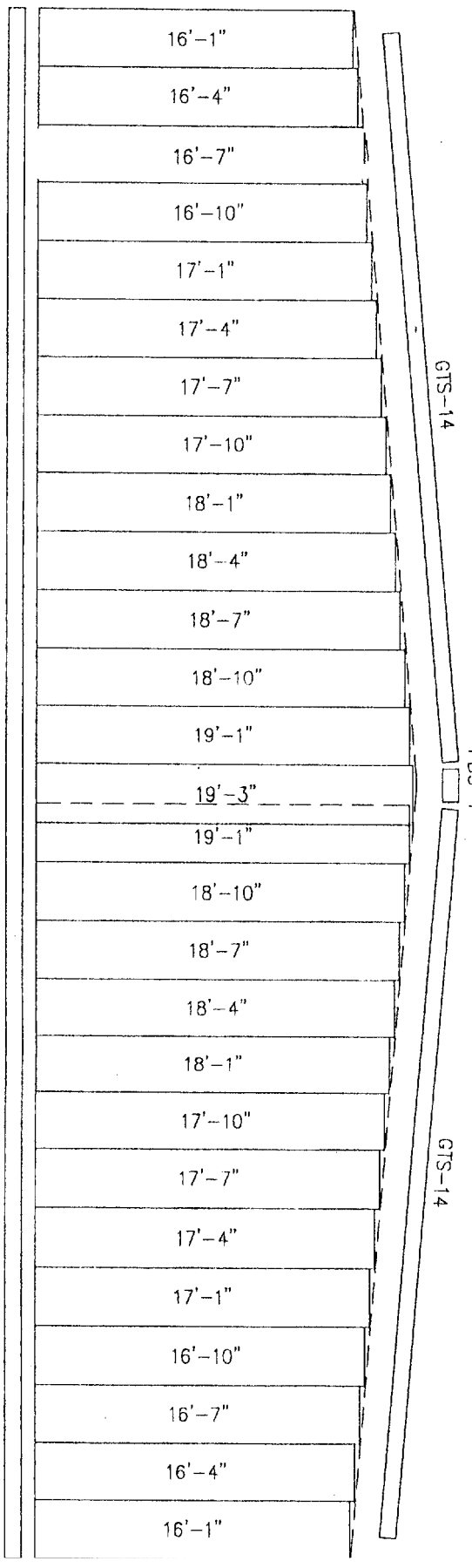
DRAWN BY: WAG
 3/28/05
 CHECK BY:
 DES. ENG.: *RKJ*
 3/30/05
 SHEET NO. E6 OF 10

ITEM	TABLE	DETAIL
LINE 1 & 7		TRIM_7
OID MATERIAL	LENGTH	TRIM_7
GTS-14	172"	TRIM_8
PRC-1		



NOTE: 1'-0" PANEL BACKLAP

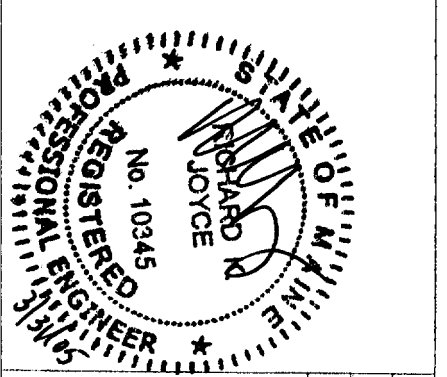
ELEVATION A1: LINE 1
ENDWALL SHEETING 26 Ga. HR



NOTE: 1'-0" PANEL BACKLAP

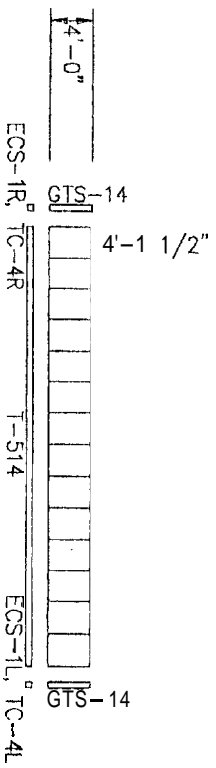
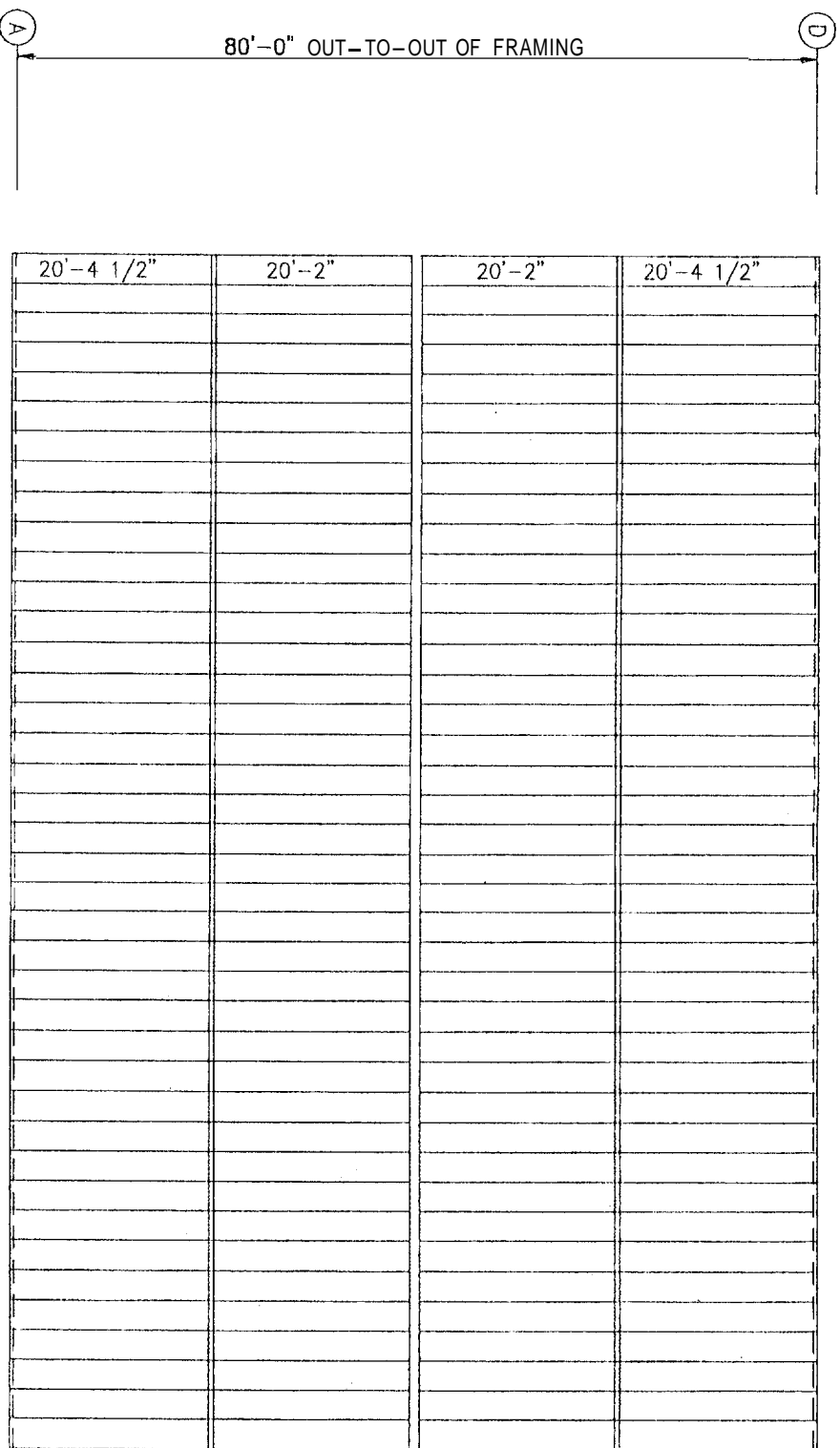
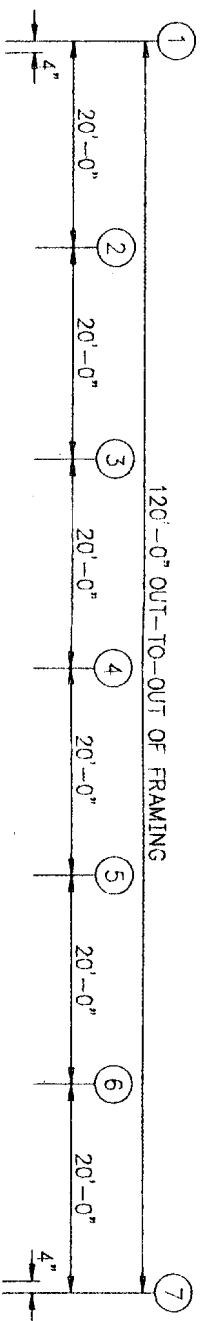
ELEVATION A1: LINE 7
ENDWALL SHEETING 26 Ga. HR

GENERAL NOTES:
At framed openings and greater than 1:12 roof pitch the sheeting is field cut as required.



Sunward Corporation
BUYER: Mainland Structure Corp.
CUST.: Alexander-Russel Company, LLC
SITE : Portland, ME
DESCR: 80.0 x 120.0 x 16.0
SCALE: NONE
P.O. : G29268

DRAWN BY: WAG
3/28/05
CHECK BY:
DES. ENG.: *WAG*
4.30.05
SHEET NO. E7 OF 10



ROOF SHEETING PLAN
PANELS: 26 Ga. HR

CANOPY SHEETING PLAN
PANELS: 26 Ga. HR

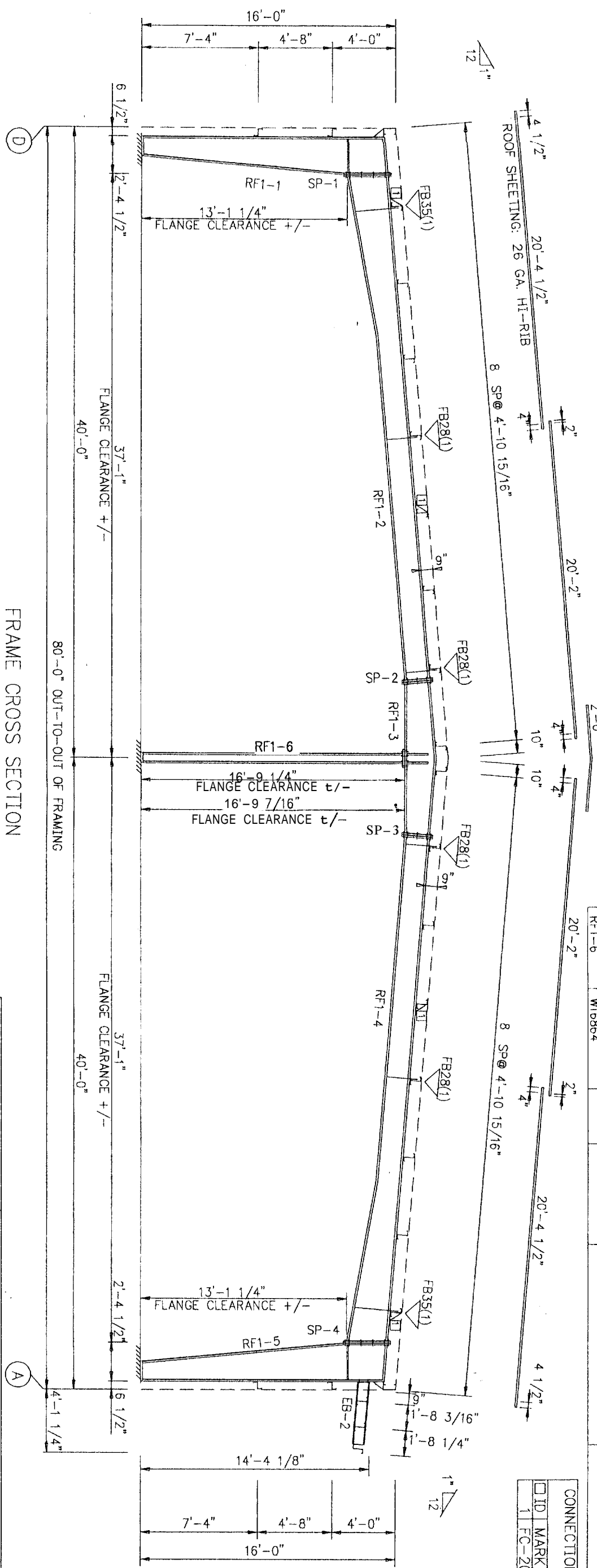
2'-0"
= (40)



Sumward Corporation
 BUYER: Mainland Structure Corp.
 CUST: Alexander-Russel Company, LLC
 SITE: Portland, ME
 DESOR: 80.0 x 120.0 x 16.0
 SCALE: NONE
 P.O.: G29268
 DRAWN BY: WAG
 3/25/05
 CHECK BY:
 DES. ENG.: [Signature]
 3.26.05
 SHEET NO. E8 OF 10

Splice Mark	Quan	Top/Bot/Int Type	Dia	Len	Bolt	Plate Size	Wid	Thick	Length	Col Id	Ont Typ	Qty	Len
SP-1	4	4	A325	3/4"	2"	8"	1/2"	2'-10"	7/16"	RM-6	8	A325	0.750 2"
SP-2	4	4	A325	3/4"	2"	8"	1/2"	1'-10"	5/16"				
SP-3	4	4	A325	3/4"	2"	8"	1/2"	1'-10"	5/16"				
SP-4	4	4	A325	3/4"	2"	8"	1/2"	2'-10"	7/16"				

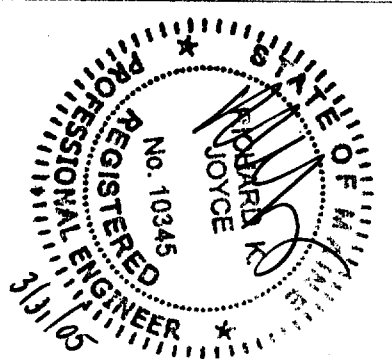
FLANGE BRACES: FBK 51 or 2)
 xx=length(in)
 (1) One Side; (2) Two Sides



PIECE	WEB DEPTH		WEB THICK	MEMBER SIZE TABLE (IN)		OUTSIDE FLANGE		INSIDE FLANGE		
	START	END		LENGTH	W	T	LEN	W	T	LEN
RF1-1	12.0	24.5	0.179	10'-0"	8x1/4"	x15'-2 3/4"	8x1/4"	x12'-10 5/8"	8x1/4"	x12'-10 5/8"
RF1-2	24.5	28.0	0.179	5'-5 1/8"	8x1/4"	x2'-4 5/16"	8x3/8"	x10'-4 11/16"	8x1/4"	x19'-10 15/16"
RF1-3	28.0	18.3	0.250	8'-4 1/8"	8x1/4"	x20'-0"	8x1/4"	x19'-10 15/16"	8x1/4"	x19'-10 15/16"
RF1-4	18.3	16.0	0.250	2'-0"	8x1/4"	x12'-0 3/4"	8x1/4"	x2'-0"	8x1/4"	x2'-0"
RF1-5	16.0	16.0	0.179	9'-11"	8x1/4"	x20'-0"	8x3/8"	x10'-4 11/16"	8x1/4"	x2'-0"
RF1-6	16.0	16.0	0.179	2'-0"	8x1/4"	x2'-4 5/16"	8x1/4"	x12'-10 5/8"	8x1/4"	x12'-10 5/8"

CONNECTION PLATES		
ID	MARK	PART
1	FC-209	

FRAME CROSS SECTION
 FOR RIGID FRAME LINE(S): 2 3

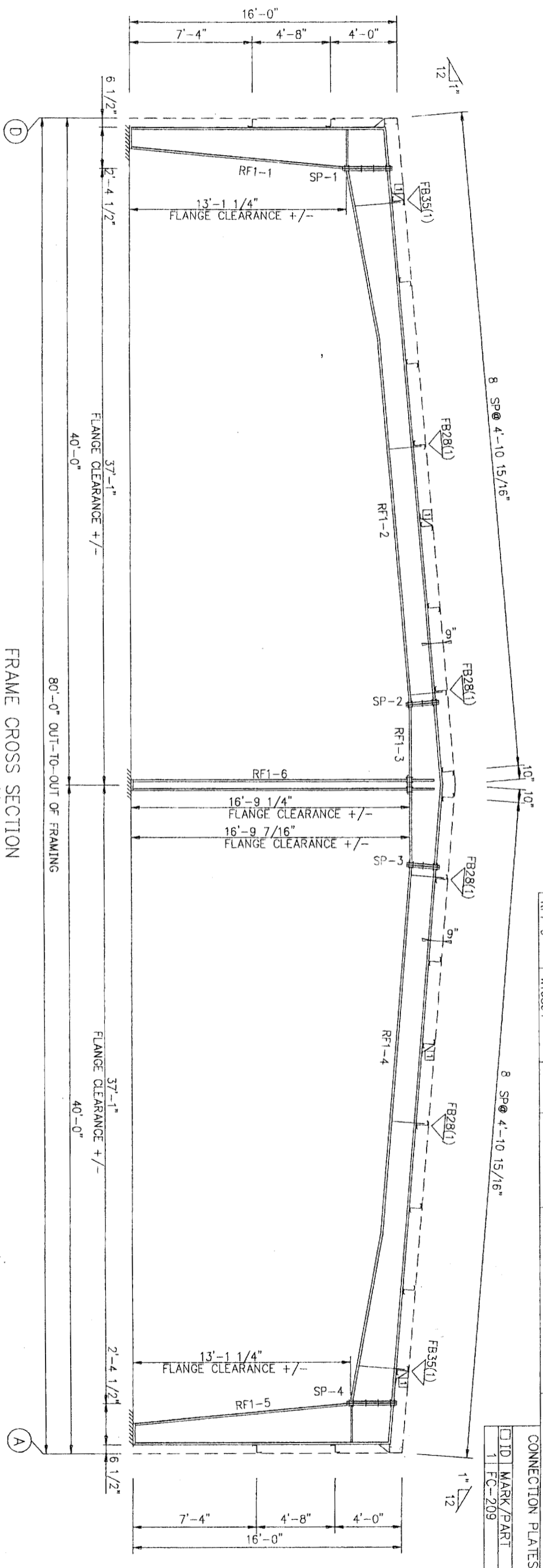


Sunward Corporation
 BUYER: Mainland Structure Corp.
 CUST: Alexander-Russell Company, LLC
 SITE: Portland, ME
 DESCR: 80.0 x 120.0 x 16.0
 SCALE: NONE
 P.O.: G29268

DRAWN BY: WAG
 3/28/05
 CHECK BY:
 DES. ENG.: RLB
 3-30-05
 SHEET NO. E9 OF 10

SPLICE PLATES & BOLTS				CAP PLATE BOLTS	
Splice Mark	Quan	Top/Bot/Int Type	Dia	Len	Bolt
SP-1	4	4	A325	3/4" 2"	8"
SP-2	4	4	A325	3/4" 2"	8"
SP-3	4	4	A325	3/4" 2"	8"
SP-4	4	4	A325	3/4" 2"	8"

FLANGE BRACES: FBxx (1 or 2)
 xx=length(in)
 (1) One Side; (2) Two Sides



PIECE	WEB DEPTH		WEB THICK	WEB PLATE LENGTH		OUTSIDE FLANGE		INSIDE FLANGE	
	START	END		THICK	LENGTH	W x T x LEN	W x T x LEN		
RF1-1	12.0/24.5	0.179	10'-0"	5'-5 1/8"	8x1/4" x15'-2 3/4"	8x1/4" x12'-10 5/8"	8x3/8" x3'-11 5/8"	8x3/8" x3'-11 5/8"	
RF1-2	24.5/28.0	0.179	8'-5 1/8"	8'-4 1/8"	8x1/4" x2'-4 5/16"	8x1/4" x12'-0 3/4"	8x1/4" x10'-4 11/16"	8x1/4" x9'-10 15/16"	
RF1-3	28.0/18.3	0.250	2'-0"	2'-0"	8x1/4" x2'-0 3/4"	8x1/4" x2'-0 3/4"	8x1/4" x2'-0"	8x3/8" x10'-4 11/16"	
RF1-4	18.3/16.0	0.179	10'-0"	9'-11"	8x1/4" x20'-0"	8x1/4" x20'-0"	8x3/8" x10'-4 11/16"	8x3/8" x10'-4 11/16"	
RF1-5	16.0/16.0	0.179	2'-0"	2'-0"	8x1/4" x2'-0"	8x1/4" x2'-0"	8x3/8" x10'-4 11/16"	8x3/8" x10'-4 11/16"	
RF1-6	16.0/18.3	0.250	8'-4 1/8"	5'-5 1/8"	8x1/4" x2'-4 5/16"	8x1/4" x2'-4 5/16"	8x1/4" x12'-10 5/8"	8x1/4" x12'-10 5/8"	
RF1-6	28.0/24.5	0.179	10'-0"	10'-0"	8x1/4" x15'-2 3/4"	8x1/4" x15'-2 3/4"	8x1/4" x12'-10 5/8"	8x1/4" x12'-10 5/8"	
RF1-6	24.5/12.0	0.179	8'-4 1/8"	5'-5 1/8"	8x1/4" x2'-4 5/16"	8x1/4" x2'-4 5/16"	8x1/4" x12'-10 5/8"	8x1/4" x12'-10 5/8"	
RF1-6	W16864	0.179	10'-0"	10'-0"	8x1/4" x15'-2 3/4"	8x1/4" x15'-2 3/4"	8x1/4" x12'-10 5/8"	8x1/4" x12'-10 5/8"	

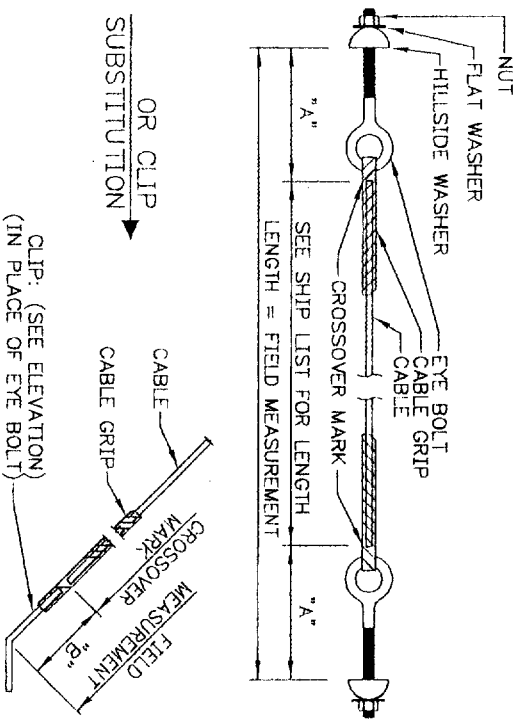
ID	MARK/PART
1	FC-209

FRAME CROSS SECTION
 FOR RIGID FRAME LINE(S) 4 5 6

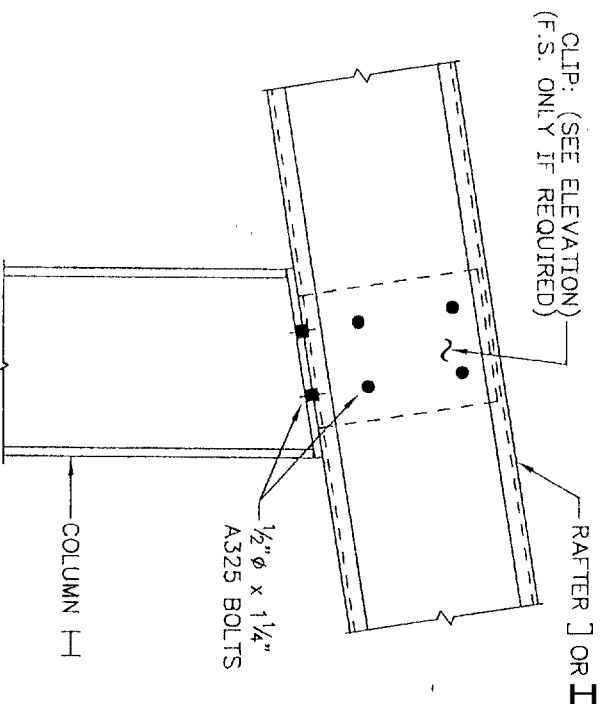


Sunward Corporation
 DRAWN BY: WAG
 3/28/05
 CHECK BY:
 BUTER: Mainland Structure Corp.
 CUST: Alexander-Russell Company, LLC
 SITE: Portland, ME
 DESCR: 80.0 x 120.0 x 16.0
 SCALE: NONE
 P.O.: G29268
 DES. ENG.: AB
 1.0:12
 3.30.05
 SHEET NO. E10 OF 10

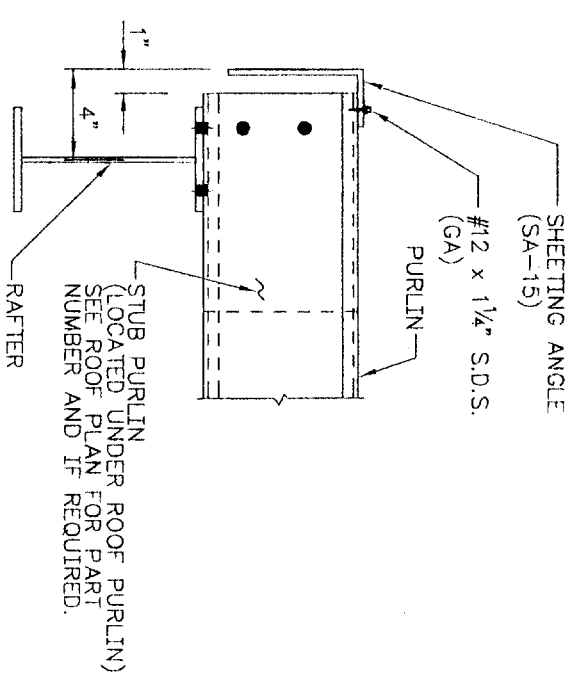
REFERENCE CHART				
CABLE Ø	5/8"	3/4"	1/2"	
EYE BOLT	3/8"	1/2"	3/4"	
"A" DIM.	9"	10"	12"	
"B" DIM.	5 1/2"	6 1/2"	N/A	



CABLE BRACING ASSEMBLY

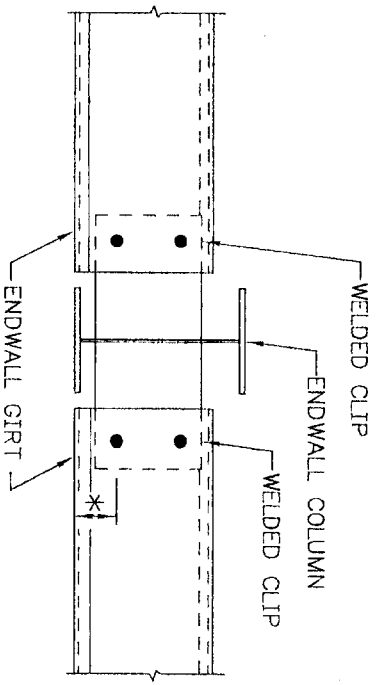


COLUMN TO RAFTER

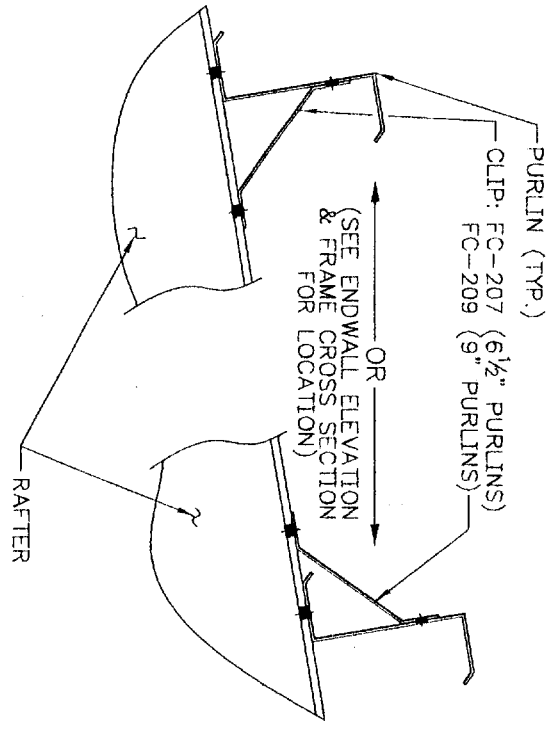


PURLIN TO RAFTER

GIRT SIZE(S)	* DIM.
6 1/2" Z & 8" or 9" C	2"
9" Z	3"

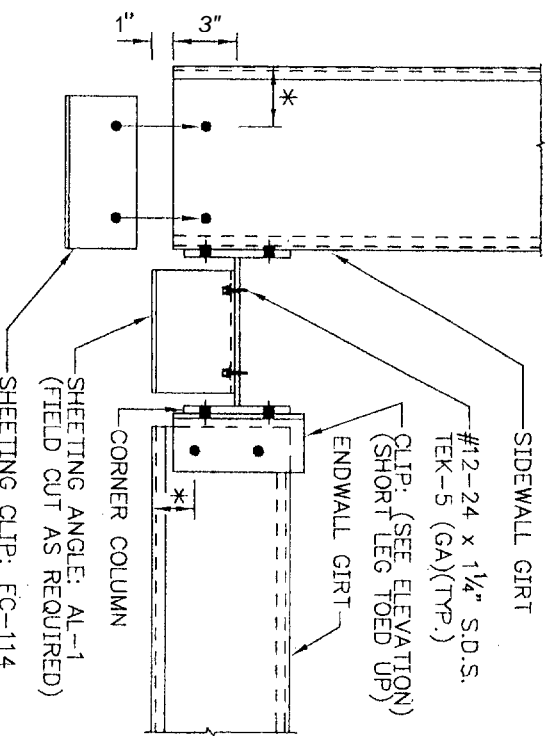


GIRTS TO ENDWALL COLUMN

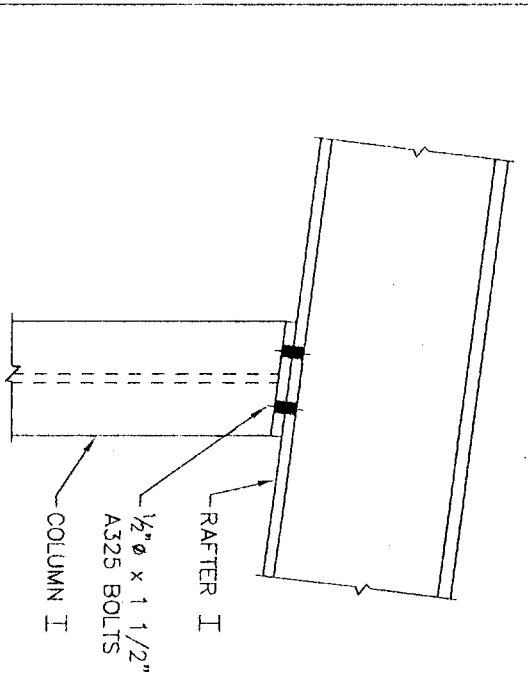


ANTI-ROLL CLIP

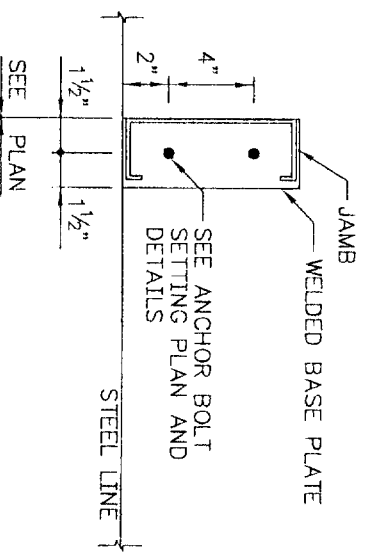
GIRT SIZE(S)	* DIM.
6 1/2" Z & 8" or 9" C	2"
9" Z	3"



GIRTS TO CORNER COLUMN



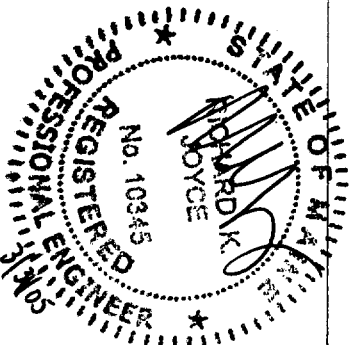
COLUMN TO RAFTER



JAMB BASE DETAIL

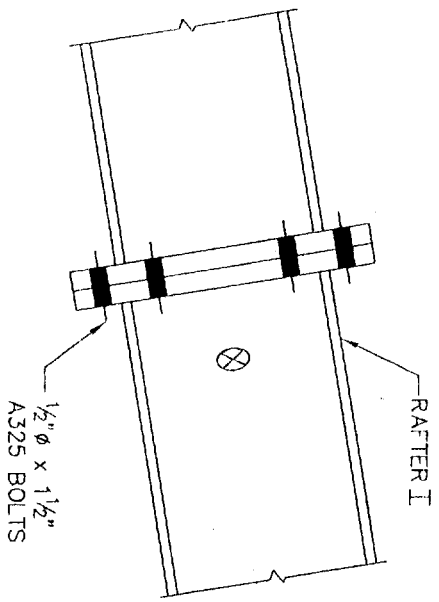
GENERAL NOTES:

- 1) ALL BOLTS ARE TO BE 1/2" Ø X 1 1/4" A-307 (U.N.)
- 2) VIEW IS FROM OUTSIDE OF THE BUILDING (U.N.)
- 3) ALL DIMENSIONS ARE +/-.
- 4) MATCH SHOP MARK "X" IF SHOWN.
- 5) SEE ELEVATIONS AND PLANS FOR MEMBER SIZE(S); THE DETAILS SHOWN MAY NOT INDICATE ACTUAL SIZE.
- 6) SEE RIGID FRAME CROSS SECTION(S) FOR PURLIN AND GIRT ORIENTATION.



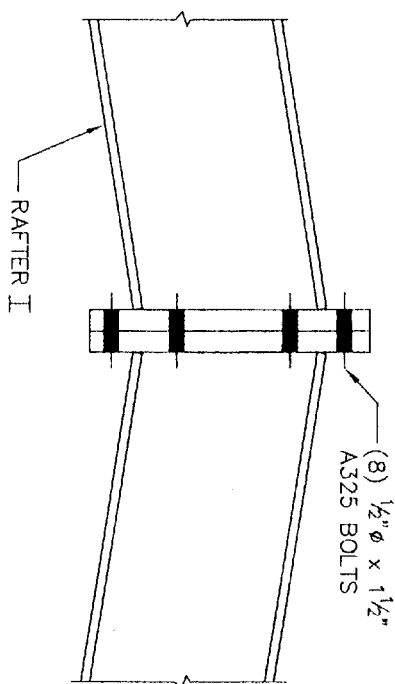
Sunward Corporation
 BUYER: Mainland Structure Corp.
 CUST.: Alexander-Russel Company, LLC
 SITE : Portland, ME
 DESCR: 80.0 x 120.0 x 16.0
 SCALE: NONE
 P.O. : G29268

DRAWN BY: WAG
 3/28/05
 CHECK BY:
 DES. ENG.: *[Signature]*
 3.28.05
 SHEET NO. G1 OF 4



RAFTER SPICE DETAIL

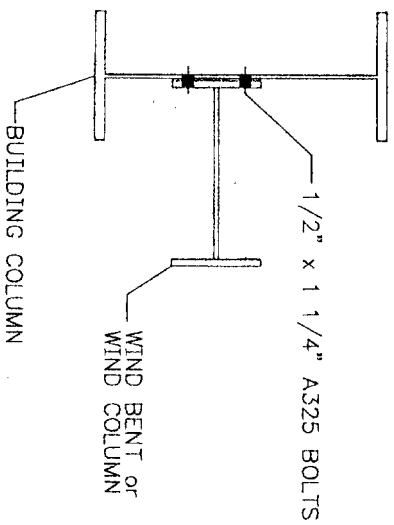
F9



PEAK DETAIL

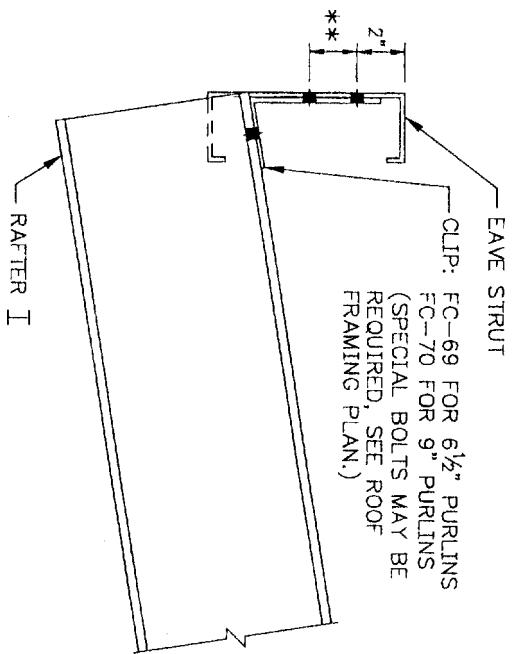
F12

PURLIN SIZE	**	**
6 1/2" Z	2"	
9" Z	4"	



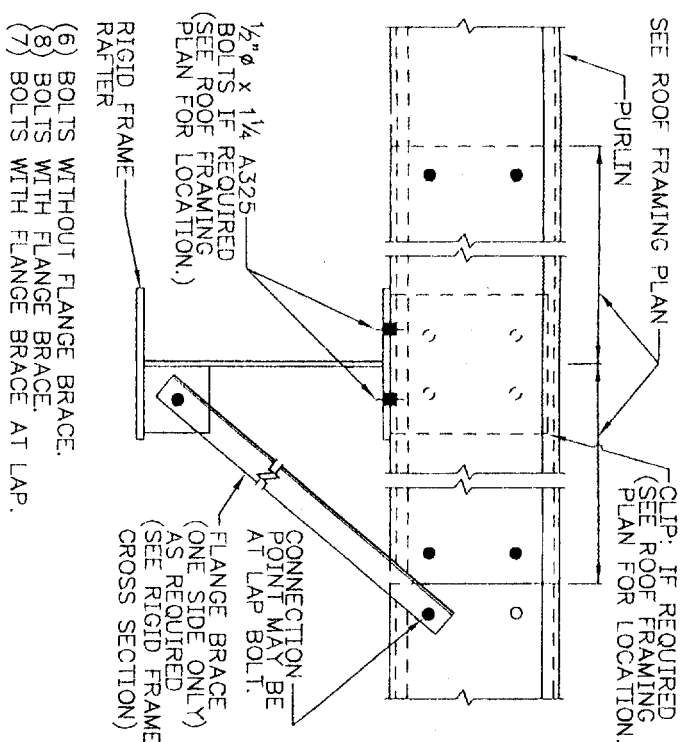
WIND BENT OR WIND COLUMN TO BUILDING COLUMN

H9



EAVE STRUT TO RAFTER

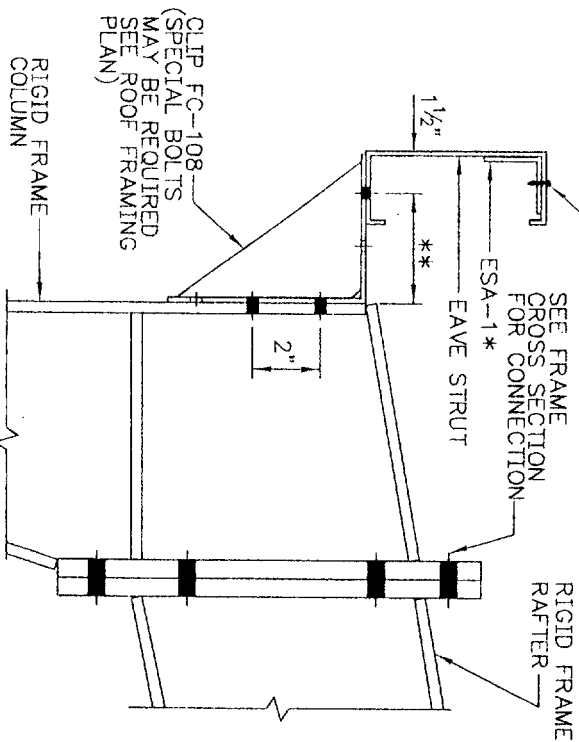
I18



PURLIN OVERLAP

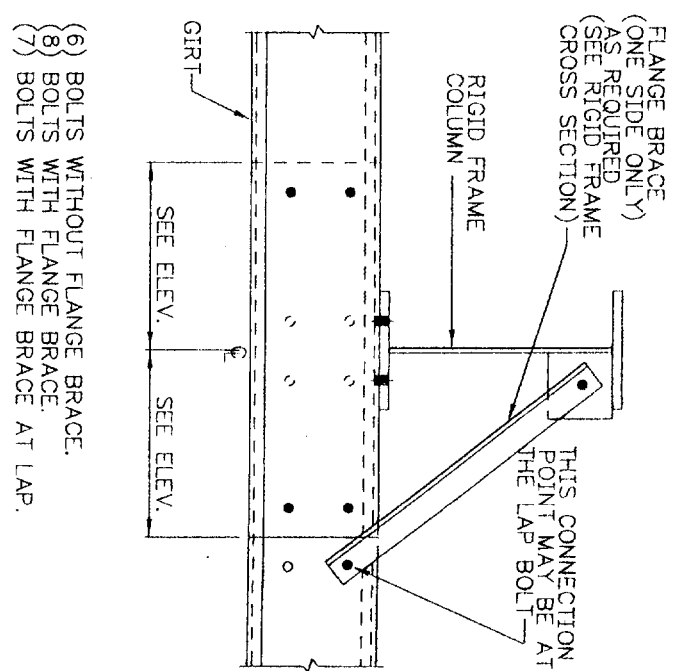
G1

GIRT SIZE	**	**
6 1/2" Z	5"	
9" Z	7 1/2"	



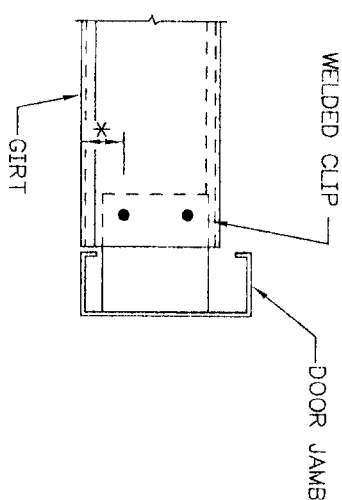
EAVE STRUT TO RIGID FRAME

J4



GIRT OVER LAP

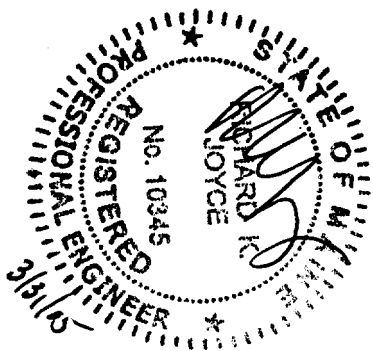
U1



GIRT TO DOOR JAMB

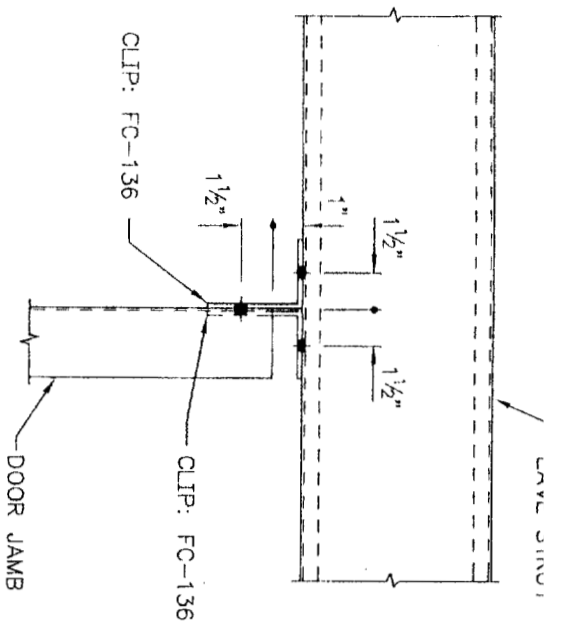
U7

- GENERAL NOTES:**
- 1) ALL BOLTS ARE TO BE 1/2" ϕ X 1 1/4" A-307 (U.N.)
 - 2) VIEW IS FROM OUTSIDE OF THE BUILDING (U.N.)
 - 3) ALL DIMENSIONS ARE +/-.
 - 4) MATCH SHOP MARK "X" IF SHOWN.
 - 5) SEE ELEVATIONS AND PLANS FOR MEMBER SIZE(S). THE DETAILS SHOWN MAY NOT INDICATE ACTUAL SIZE.
 - 6) SEE RIGID FRAME CROSS SECTION(S) FOR PURLIN AND GIRT ORIENTATION.

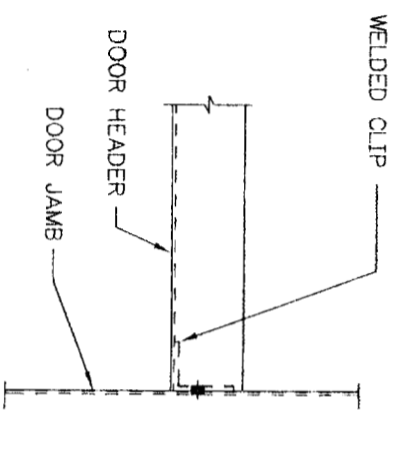


Sunward Corporation
 BUYER: Mainland Structure Corp.
 CUST.: Alexander-Russel Company, LLC
 SITE : Portland, ME
 DESCR: 80.0 x 120.0 x 16.0
 SCALE: NONE
 P.O. : G29268

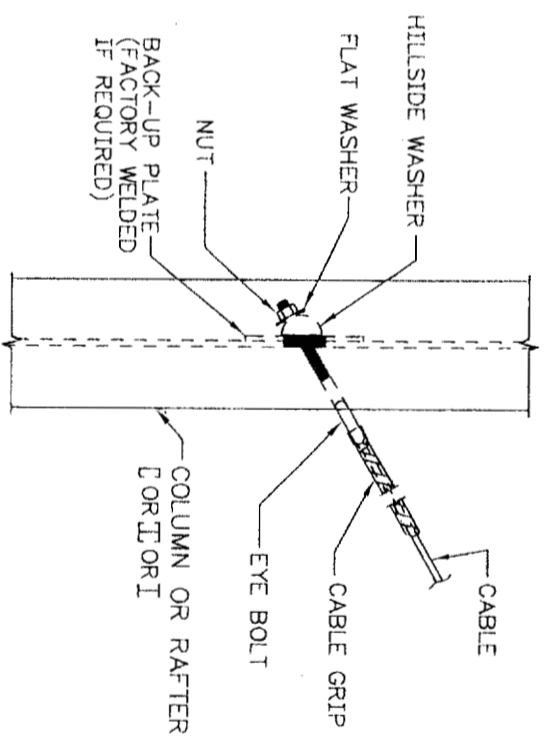
DRAWN BY: WAG
 CHECK BY: _____
 DES. ENG.: RLJ
 DATE: 3.30.05
 SHEET NO. G2 OF 4



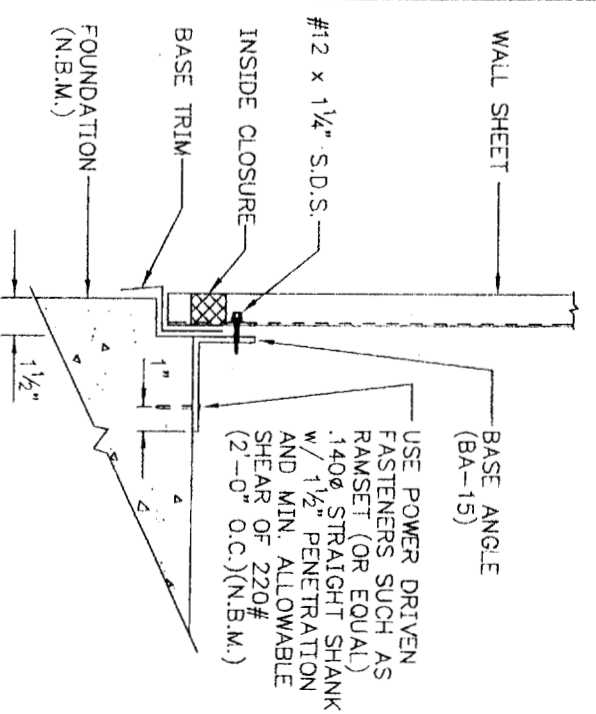
DOOR JAMB TO EAVE STRUT



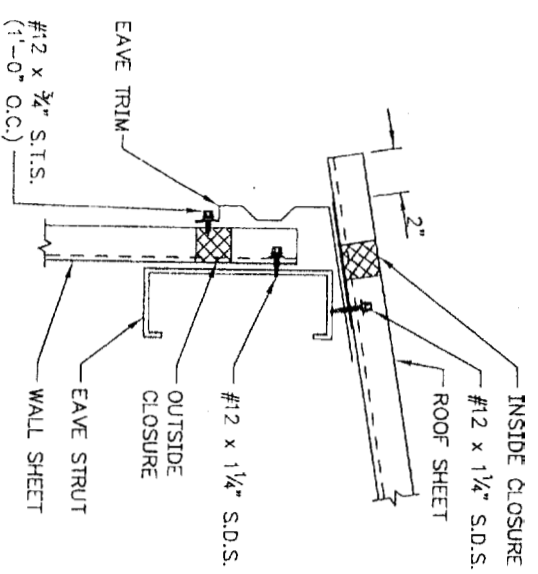
DOOR JAMB TO DOOR JAMB



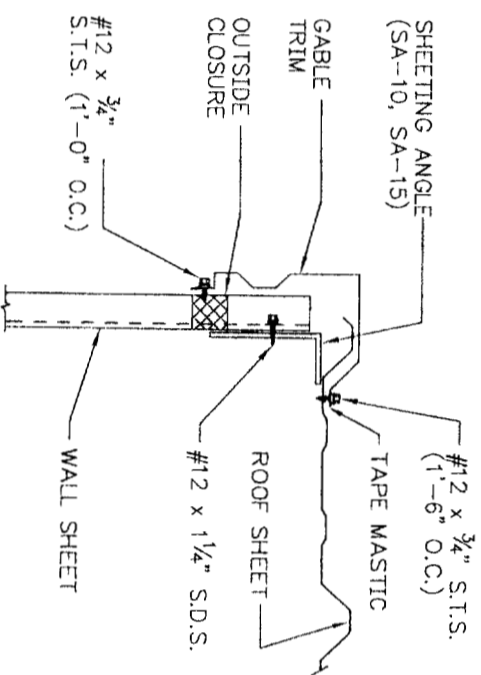
BRACING AT FRAME MEMBERS



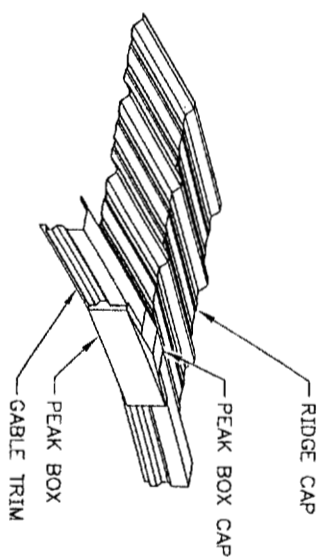
BASE DETAIL SECTION



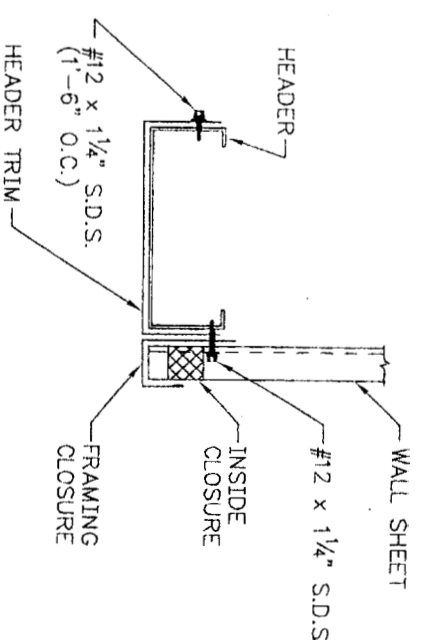
EAVE TRIM SECTION



GABLE TRIM SECTION

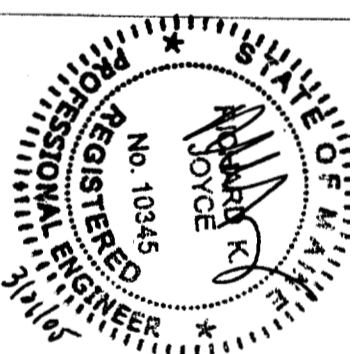


PEAK BOX



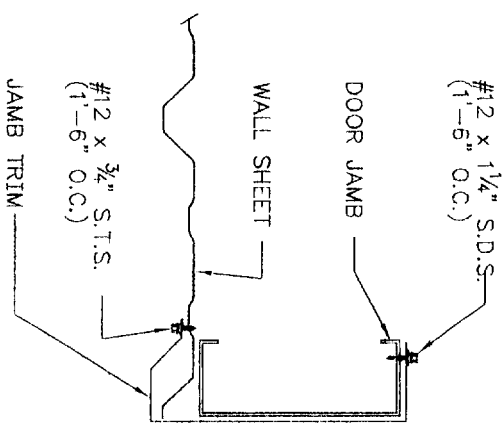
GABLE END SECTION

- GENERAL NOTES:**
- 1) ALL BOLTS ARE TO BE 1/2" ϕ X 1 1/4" A-307 (U.N.)
 - 2) VIEW IS FROM OUTSIDE OF THE BUILDING (U.N.)
 - 3) ALL DIMENSIONS ARE +/-
 - 4) MATCH SHOP MARK "X" IF SHOWN.
 - 5) SEE ELEVATIONS AND PLANS FOR MEMBER SIZE(S); THE DETAILS SHOWN MAY NOT INDICATE ACTUAL SIZE.
 - 6) SEE RIGID FRAME CROSS SECTION(S) FOR PURLIN AND GIRT ORIENTATION.

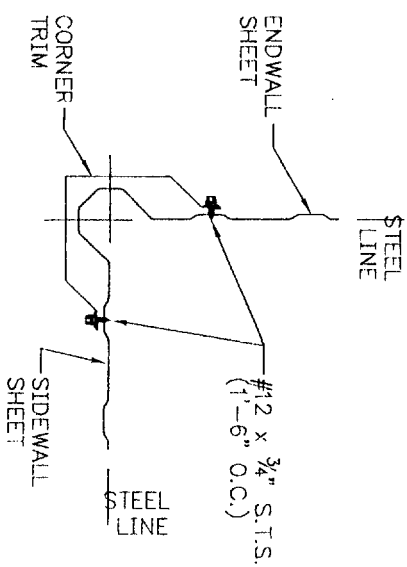


Sunward Corporation
 BUYER: Mainland Structure Corp.
 CUST: Alexander-Russel Company, LLC
 SITE: Portland, ME
 DESCR: 80.0 x 120.0 x 16.0
 SCALE: NONE
 P.O. G2926B

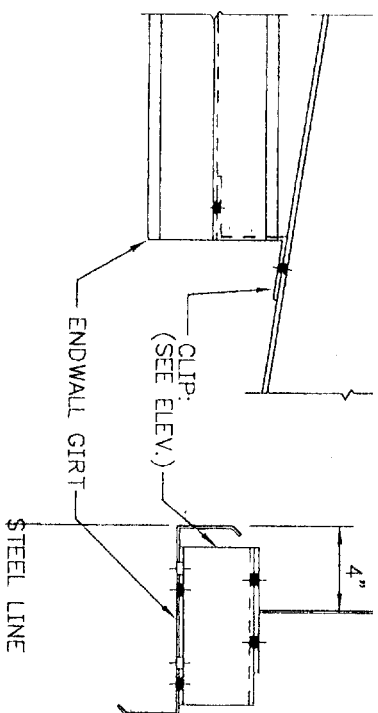
DRAWN BY: WAG
 CHECK BY: _____
 DES. ENG.: 12.9
 SHEET NO. 3-36-05
 1.0:12
 03 OF 4



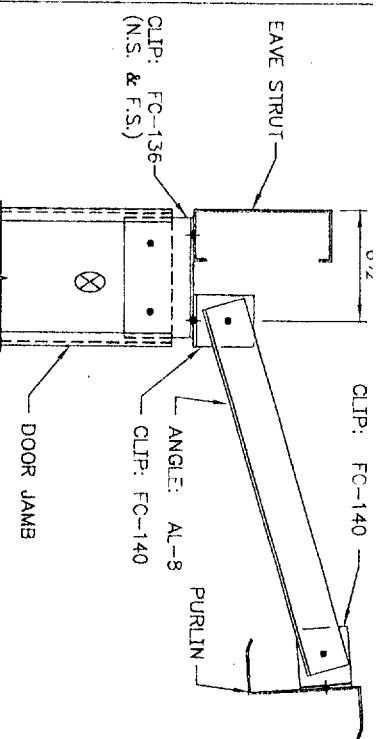
O.H. DOOR JAMB TRIM (1'-0") TRIM_10



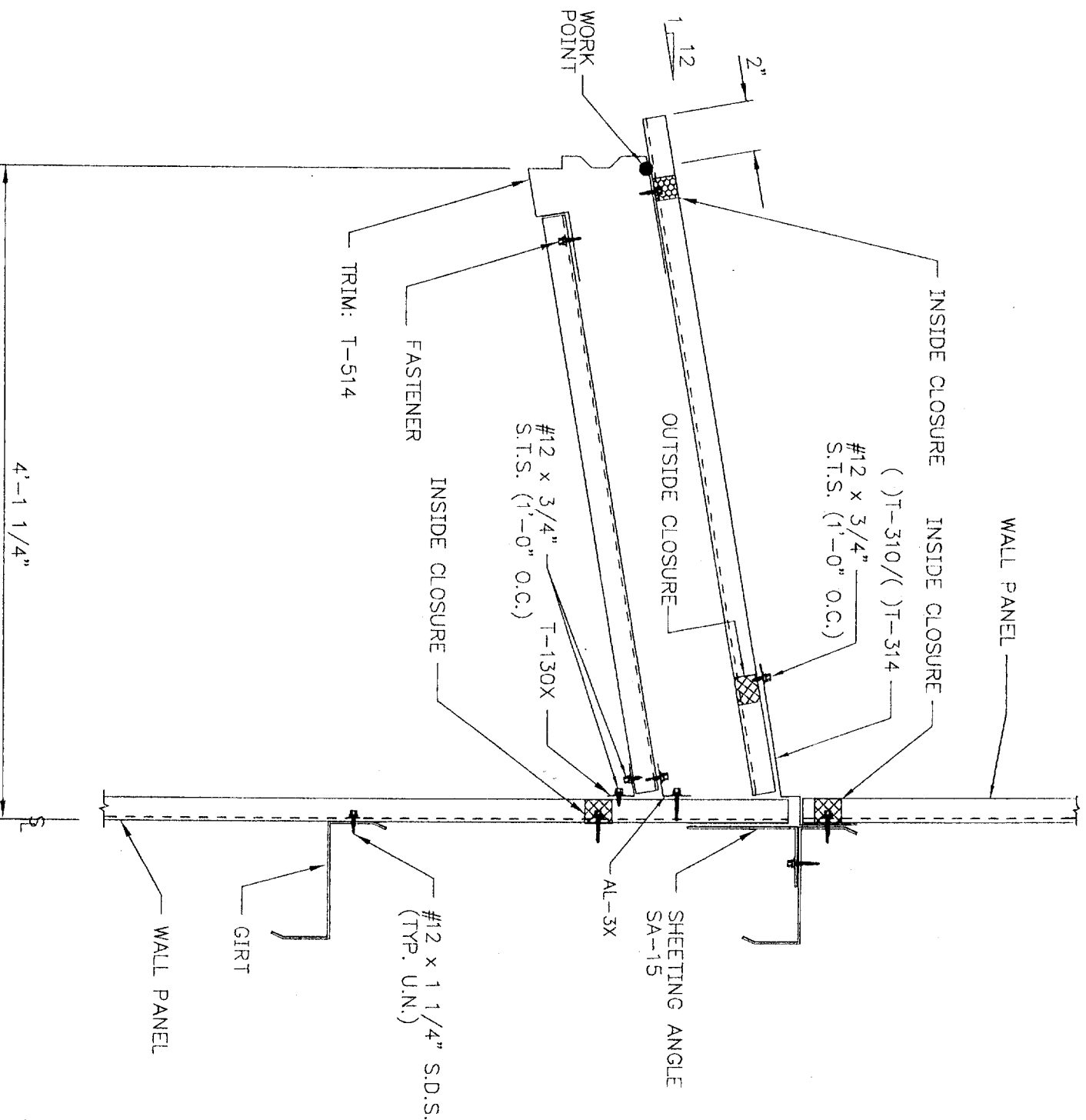
CORNER TRIM SECTION TRIM_30



GIRT TO ENDWALL RAFTER W3

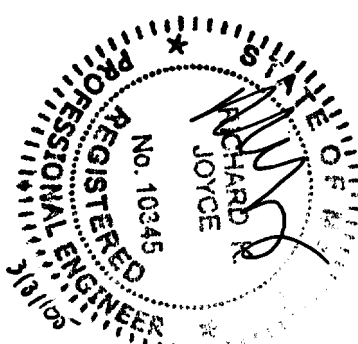


BACK BRACE SECTION L10



GENERAL NOTES:

- 1) ALL BOLTS ARE TO BE 1/2" Ø X 1 1/4" A-307 (U.N.)
- 2) VIEW IS FROM OUTSIDE OF THE BUILDING (U.N.)
- 3) ALL DIMENSIONS ARE +/-.
- 4) MATCH SHOP MARK "⊗" IF SHOWN.
- 5) SEE ELEVATIONS AND PLANS FOR MEMBER SIZE(S). THE DETAILS SHOWN MAY NOT INDICATE ACTUAL SIZE.
- 6) SEE RIGID FRAME CROSS SECTION(S) FOR PURLIN AND GIRT ORIENTATION.



BUYER: Mainland Structure Corp.
 CUST: Alexander-Russel Company, LLC
 SITE: Portland, ME
 DESGR: 80.0 x 120.0 x 16.0
 SCALE: NONE
 P.O.: G29268

Sunward Corporation

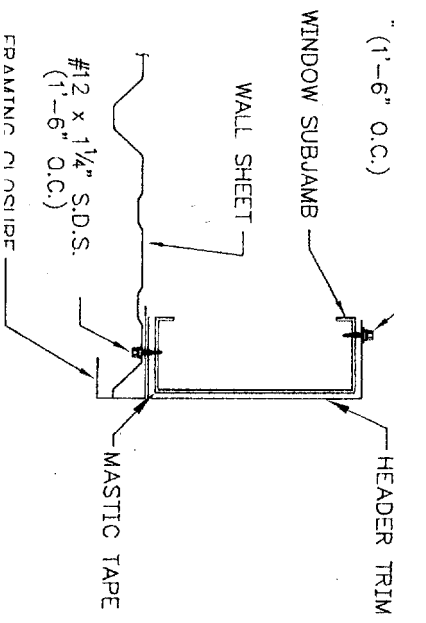
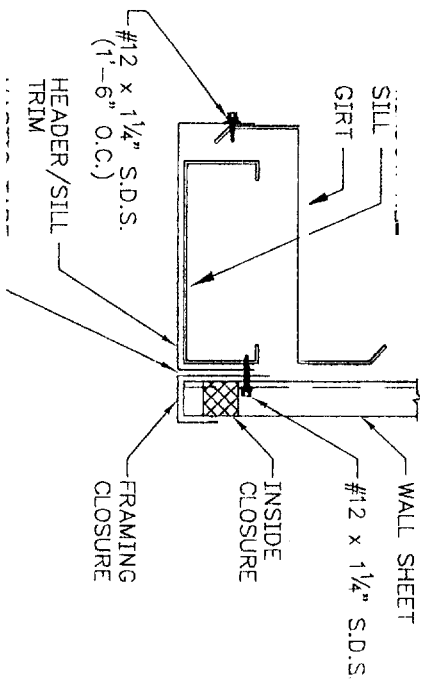
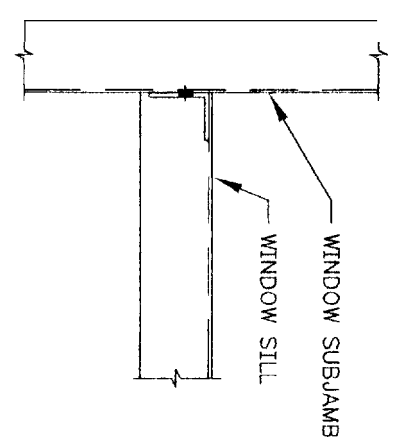
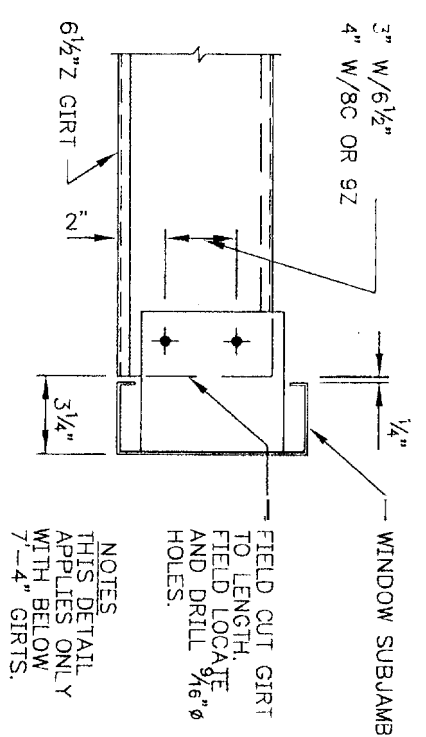
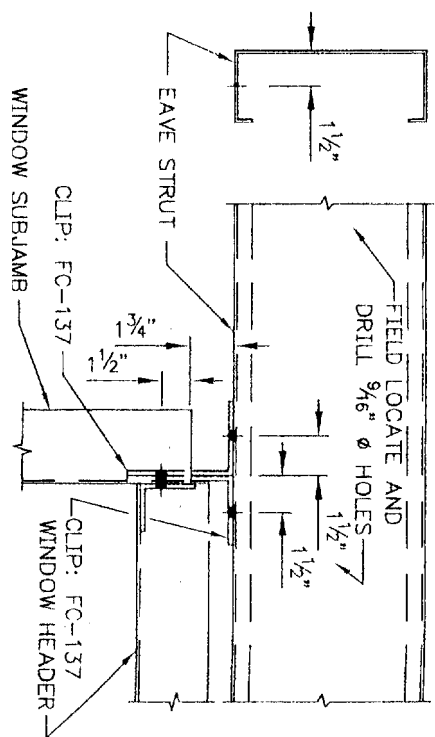
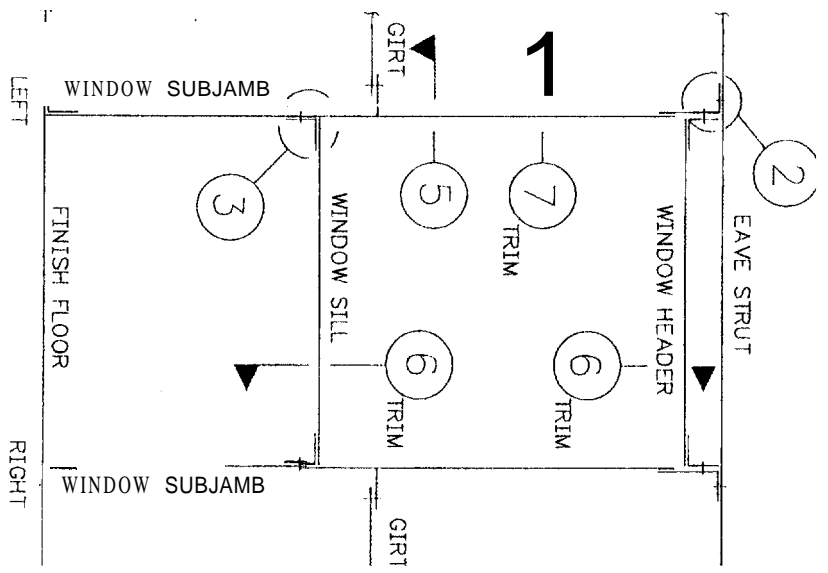
DRAWN BY: WAG

CHECK BY: 3/28/05

DES. ENG.: *RJS*

SCALE: NONE

SHEET NO. 04 OF 4

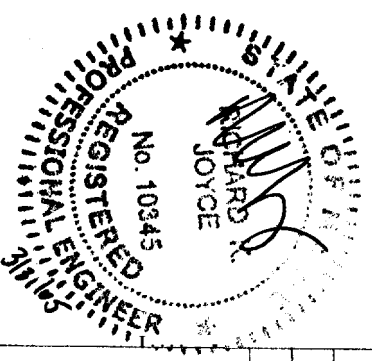


WINDOW SUBJAMB TO EAVE STRUT | 1 | GIRTS TO WINDOW SUBJAMB | 1 5 | WINDOW HEADER/SILL TRIM | 1 6 | WINDOW SUBJAMB TRIM | 1 7

1 9 | 1 10 | 1 11

GENERAL NOTES:

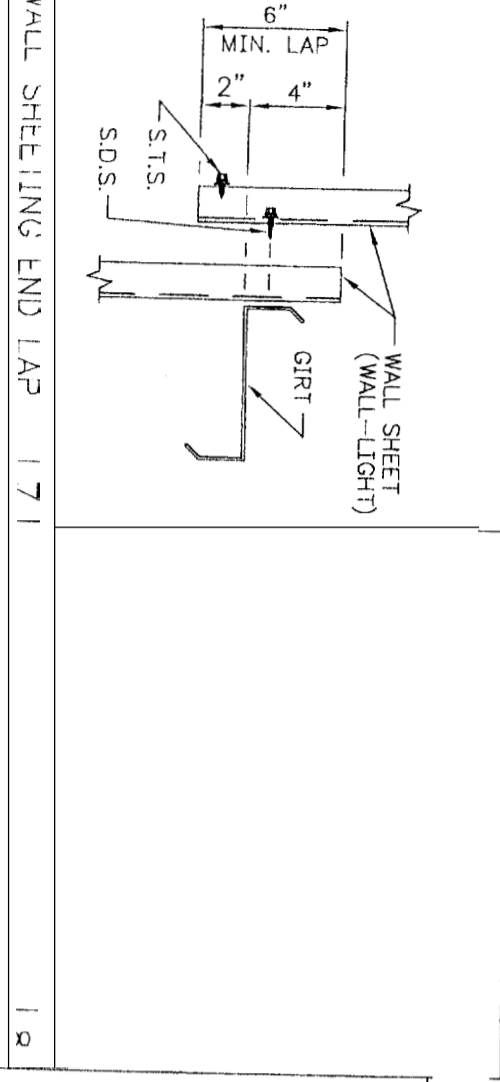
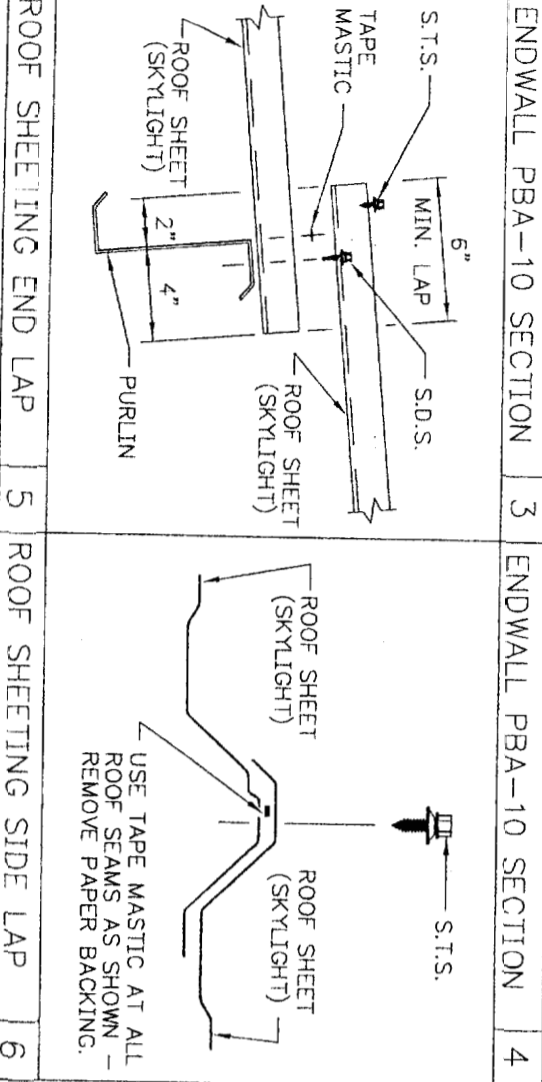
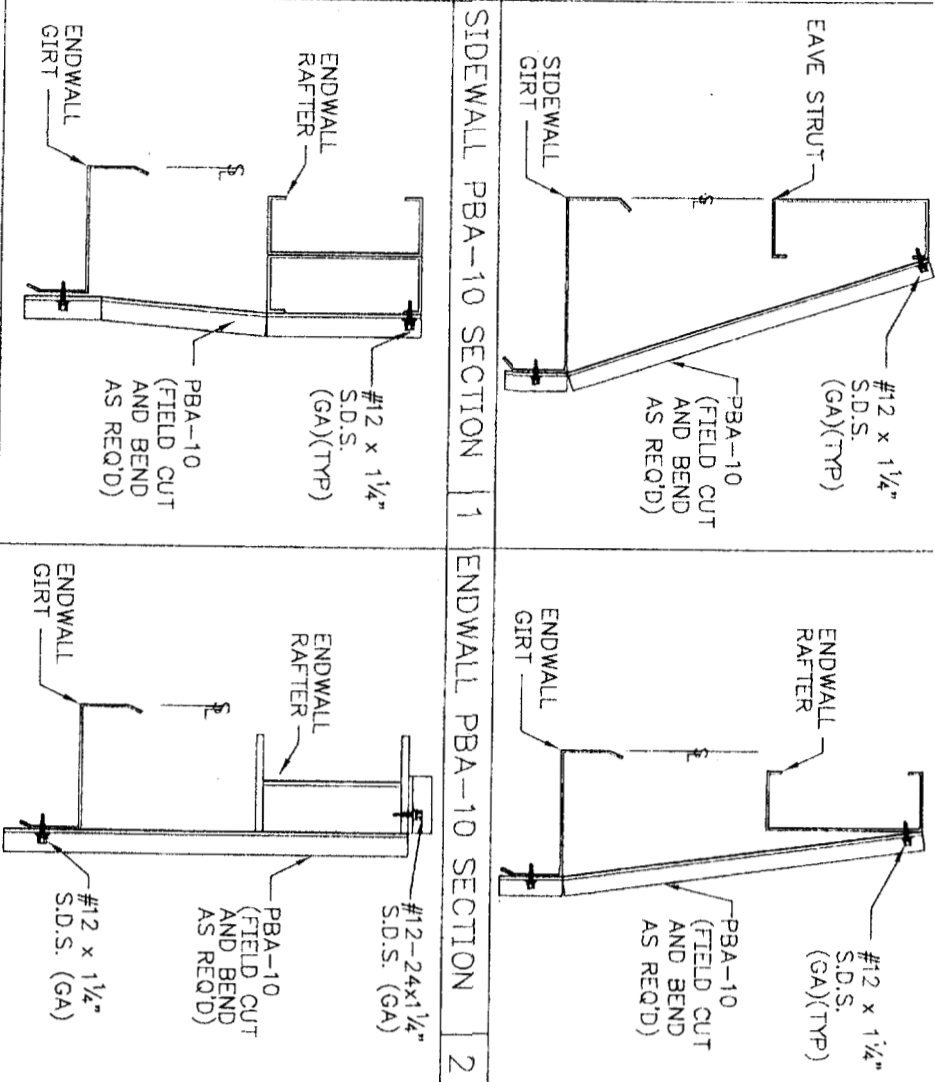
- 1) ALL BOLTS TO BE 1/2" Ø x 1 1/4" A-307 (U.N.)
- 2) VIEW IS FROM OUTSIDE OF BUILDING (U.N.)
- 3) ALL DIMENSIONS ARE +/-.
- 4) ⊗ MATCH SHOP MARK.
- 5) SEE RIGID FRAME CROSS SECTION, FOR PURLIN AND GIRT ORIENTATION.
- 6) SOME DETAILS THAT ARE SHOWN MAY NOT APPLY TO YOUR BUILDING. REFER TO YOUR VERIFICATION FOR THE OPTIONS THAT ARE INCLUDED.



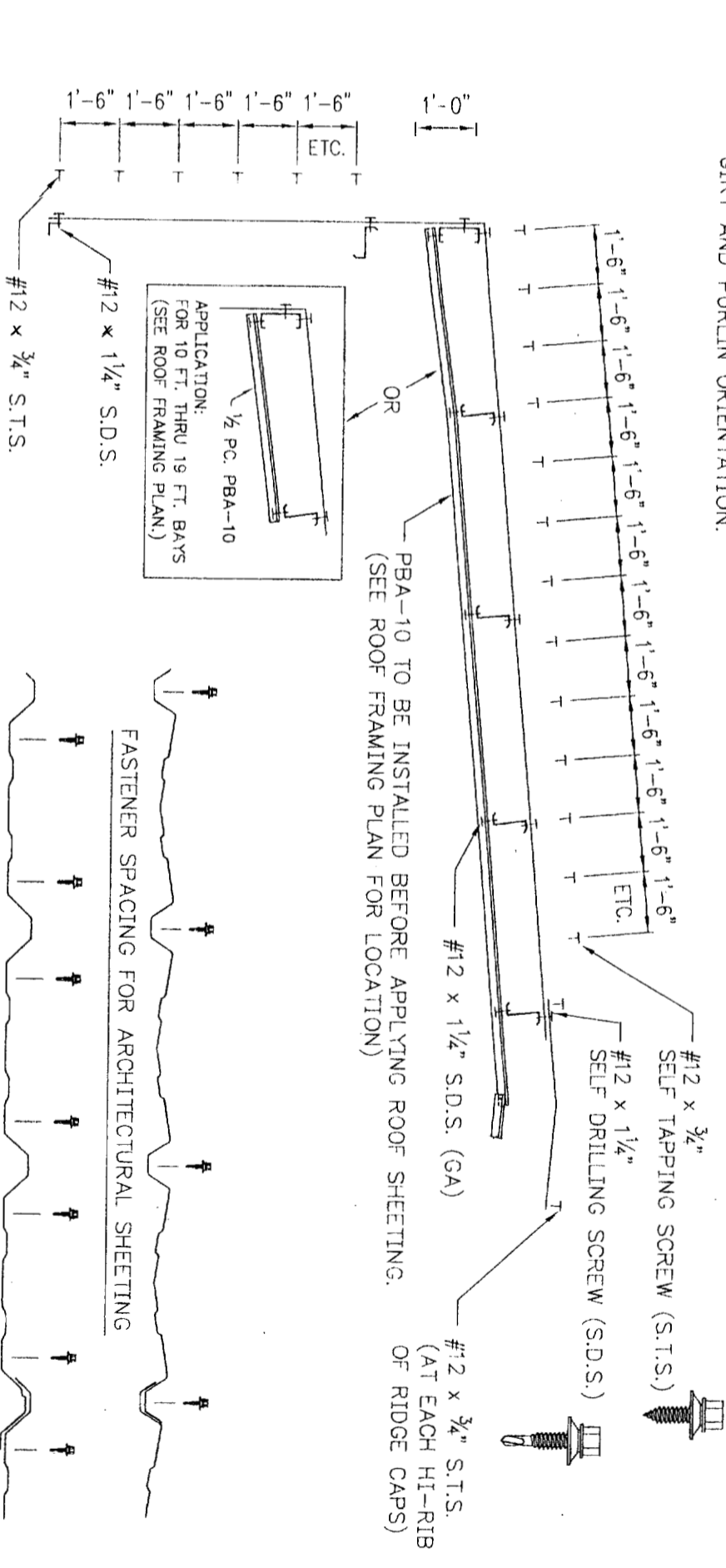
Sunward Corporation
 DRAWN BY: WAG
 3/28/05
 BUYER: Mainland Structure Corp.
 CUST.: Alexander-Russel Company, LLC
 SITE : Portland, ME
 DESCR: 80.0 x 120.0 x 16.0
 SCALE: NONE
 P.O. : G29268
 CHECK BY: _____
 DES. ENG.: WAG
 3-28-05
 SHEET NO. G01 OF 2

WINDOW SUBJAMB TO EAVE STRUT | 8 |

NOTE: SEE RIGID FRAME CROSS SECTION FOR GIRT AND PURLIN ORIENTATION.



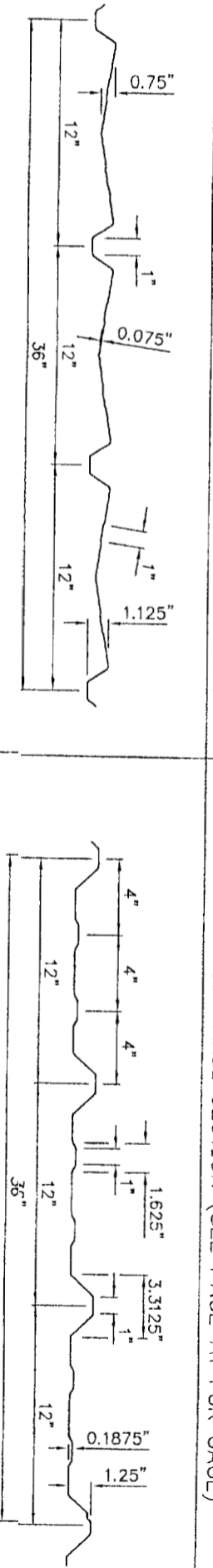
FASTENER APPLICATION AT EXTERIOR SHEETING



NOTE: SELF DRILLING SCREW PATTERNS

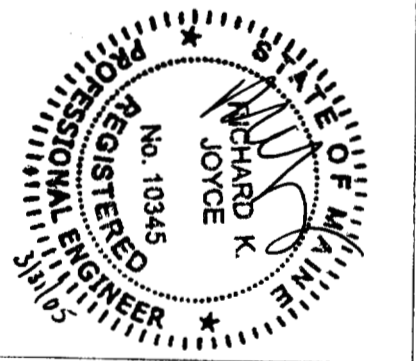
- 1) NON-INSULATED BUILDINGS: USE PATTERN (A) & (B)
- 2) INSULATED BUILDINGS: USE PATTERN (A) ONLY AT ALL FRAMING LINES. (WHEN INSULATING BETWEEN THE GIRTS/PURLINS AND SHEETING)
- 3) MORE THAN 4" OF FIBERGLASS INSULATION IS NOT RECOMMENDED BETWEEN THE GIRTS/PURLINS AND SHEETING.

ARCHITECTURAL PANEL SECTION (SEE PAGE A1 FOR GAGE)



GENERAL NOTES:

- 1) VIEW IS FROM OUTSIDE OF BUILDING (U.N.)
- 2) ALL DIMENSIONS ARE +/-.
- 3) SOME DETAILS THAT ARE SHOWN MAY NOT APPLY TO YOUR BUILDING. REFER TO YOUR VERIFICATION FOR THE OPTIONS THAT ARE INCLUDED.



Sunward Corporation
 BUYER: Mainland Structure Corp.
 CUST: Alexander-Russel Company, LLC
 SITE: Portland, ME
 DESCR: 80.0 x 120.0 x 16.0
 SCALE: NONE
 P.O.: G29268
 DRAWN BY: WAG
 CHECK BY: 3/28/05
 DES. ENG: 3.30.05
 SHEET NO. G02 OF 2