

City of Portland, Maine - Building or Use Permit Application
 389 Congress Street, 04101 Tel: (207) 874-8703, Fax: (207) 874-8716

PERMIT ISSUED

Permit No: 01-0570	Issue Date: MAY 25 2001	CBL: 321 A003001
-----------------------	----------------------------	---------------------

Location of Construction: 508 Riverside St	Owner Name: Dipietrantonio Antonio &	Owner Address: 20 Congress St, Portland, ME 04103	Phone: 207-878-6161
Business Name: Northeast Labs Services	Contractor Name: JS Peterson	Contractor Address: W. Buxton	Phone: 2079296786
Lessee/Buyer's Name: Northeast Labs Services	Phone: 207-878-6481	Permit Type: Signs - Permanent	Zone: IM

Past Use: Commercial / Laboratory Services	Proposed Use: Same: Signage Permit. Erect 8' X 4' Post Frame. Call Northeast Labs at 878-6481 when ready.	Permit Fee:	Cost of Work: \$0.00	CEO District: 1
		FIRE DEPT: <input type="checkbox"/> Approved <input type="checkbox"/> Denied	INSPECTION: Use Group: <i>Signage</i> Type: <i>1999</i>	

Proposed Project Description:
Erect 8' X 4' Post Frame for 4' X 4' Sign.

Signature: *[Signature]*

PEDESTRIAN ACTIVITIES DISTRICT (P.A.D.)

Action: Approved Approved w/Conditions Denied

Signature: _____ Date: _____

Permit Taken By: cjh	Date Applied For: 05/18/2001	Zoning Approval	
--------------------------------	--	------------------------	--

<ol style="list-style-type: none"> This permit application does not preclude the Applicant(s) from meeting applicable State and Federal Rules. Building permits do not include plumbing, septic or electrical work. Building permits are void if work is not started within six (6) months of the date of issuance. False information may invalidate a building permit and stop all work.. 	Special Zone or Reviews <input type="checkbox"/> Shoreland <input type="checkbox"/> Wetland <input type="checkbox"/> Flood Zone <input type="checkbox"/> Subdivision <input type="checkbox"/> Site Plan Maj <input type="checkbox"/> Minor <input type="checkbox"/> MM <input type="checkbox"/> Date: <i>5/24/01</i>	Zoning Appeal <input type="checkbox"/> Variance <input type="checkbox"/> Miscellaneous <input type="checkbox"/> Conditional Use <input type="checkbox"/> Interpretation <input type="checkbox"/> Approved <input type="checkbox"/> Denied Date: _____	Historic Preservation <input checked="" type="checkbox"/> Not in District or Landmark <input type="checkbox"/> Does Not Require Review <input type="checkbox"/> Requires Review <input type="checkbox"/> Approved <input type="checkbox"/> Approved w/Conditions <input type="checkbox"/> Denied Date: _____
	<i>Shall be no taller than 15 ft</i> <i>OK with conditions</i>		

PERMIT ISSUED WITH REQUIREMENTS

CERTIFICATION

I hereby certify that I am the owner of record of the named property, or that the proposed work is authorized by the owner of record and that I have been authorized by the owner to make this application as his authorized agent and I agree to conform to all applicable laws of this jurisdiction. In addition, if a permit for work described in the application is issued, I certify that the code official's authorized representative shall have the authority to enter all areas covered by such permit at any reasonable hour to enforce the provision of the code(s) applicable to such permit.

 SIGNATURE OF APPLICANT ADDRESS DATE PHONE

 RESPONSIBLE PERSON IN CHARGE OF WORK, TITLE DATE PHONE

THIS IS NOT A PERMIT/CONSTRUCTION MAY NOT COMMENCE UNTIL THE PERMIT IS ISSUED

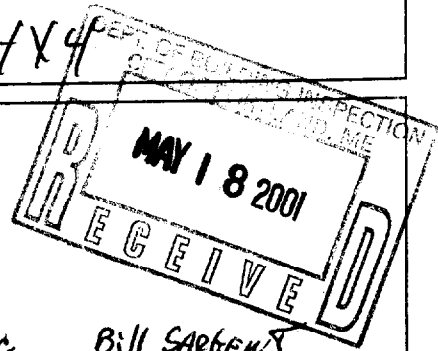
SIGNAGE APPLICATION

THIS IS NOT A PERMIT
CONSTRUCTION CANNOT NOT COMMENCE UNTIL THE PERMIT IS ISSUED

In the interest of processing your application in the quickest possible manner, please complete the Information below for a Building or Use Permit.

If you or the property owner owes real estate or personal property taxes or user charges on any property within the City, payment arrangements must be made before permits of any kind are accepted.

Location/Address of Construction: <u>508 RIVERSIDE ST</u>		
Total Square Footage of Proposed Structure <u>32 sq. FT.</u>	Square Footage of Lot	
Tax Assessor's Chart, Block & Lot Number Chart# <u>321</u> Block# <u>A</u> Lot# <u>003</u>	Owner:/Leasee <u>Dana C. Leavitt</u> <u>Great Atlanta Trading Inc</u>	Telephone #: <u>207-878-6161</u>
Lessee/Buyer's Name (If Applicable)	Owner's/Purchaser/Leasee Address: <u>NORTHEAST LABS SERVICES</u> <u>508 RIVERSIDE ST.</u> <u>PORTLAND, ME 04103</u>	Total s.f of signs <u>32</u> x .20 \$ <u>6.40</u> , plus \$30.00 TOTAL \$ <u>36.40</u>
Current use: <u>Commercial / Office</u>	Proposed use: <u>Same</u>	
Project description: <u>4X4 POST FRAME. 4X4</u> <u>(water drinking drop off for test kits)</u>		
Applicants Name, Address & Telephone: <u>NORTHEAST LABORATORY SERVICES</u> <u>508 RIVERSIDE ST</u> <u>PORTLAND, ME 04103</u> <u>207-878-6481</u>		
Contractor's Name, Address & Telephone: <u>JS Peterson</u> <u>WEST BUXTON, MAINE</u> <u>207, 929-6786</u>		
Who shall we contact when the permit is ready: <u>NORTHEAST LABS INC.</u> <u>Bill Sargent</u>		
Telephone: <u>207-878-6481</u>		
If you would like it mailed, what mailing address should we use: <u>508 RIVERSIDE ST</u> <u>PORTLAND, ME 04103</u>		



5/18/01
Gaf

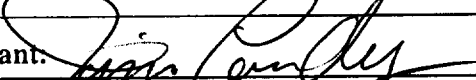
Rec'd By:

THIS IS NOT A PERMIT/CONSTRUCTION MAY NOT COMMENCE UNTIL THE PERMIT IS ISSUED

If the property is located in a HISTORIC DISTRICT, a separate sketch is required indicating the design, dimensions, construction materials and source of illumination if any. A photograph of the building façade should be submitted, showing where each sign is to be installed.

Certification

I hereby certify that I am the Owner of record of the named property, or that the owner of record authorizes the proposed work and that I have been authorized by the owner to make this application as his/her authorized agent. I agree to conform to all applicable laws of this jurisdiction. In addition, if a permit for work described in this application is issued, I certify that the Code Official's authorized representative shall have the authority to enter all areas covered by this permit at any reasonable hour to enforce the provisions of the codes applicable to this permit.

Signature of applicant. 	Date: 5-17-01
---	---------------

AGENT

Sign Permit Fee: \$30.00 plus \$0.20 per square foot.

A building permit is also required for any awning based on cost of work-\$30.00 for the first \$1,000.00 and \$6.00 for each additional \$1,000.00

BY FILLING OUT THIS APPLICATION IS DOES NOT MEET THAT YOU WILL BE APPROVED FOR THE AMOUNT OF SIGNAGE YOU ARE APPLYING FOR

IT IS SUGGESTED THAT YOU DO NOT ORDER ANY SIGNAGE UNTIL YOU HAVE RECEIVED YOUR SIGN PERMIT THAT HAS BEEN SIGNED BY THE BUILDING, ZONING AND POSSIBLE HISTORICAL OFFICIALS OF THIS OFFICE

SIGNAGE PRE-APPLICATION

PLEASE ANSWER ALL QUESTIONS

ADDRESS: 508 RINCESSING ST ZONE: I-M

OWNER: ANTHONY DIPIETRO

APPLICANT: NORTHEAST LABORATORY SERVICES

ASSESSOR NO. _____

PLEASE CIRCLE APPROPRIATE ANSWER

SINGLE TENANT LOT? YES NO MULTI-TENANT LOT? YES NO

FREESTANDING SIGN? (ex. Pole Sign) YES NO --- DIMENSIONS _____ HEIGHT _____

MORE THAN ONE SIGN? YES NO DIMENSIONS _____ HEIGHT _____

SIGN ATTACHED TO BLDG.? YES NO DIMENSIONS 4' x 8'

MORE THAN ONE SIGN? YES NO DIMENSIONS _____

AWNING: YES NO IS AWNING BACKLIT? YES NO HEIGHT OFF SIDEWALK _____

IS THERE ANY MESSAGE, TRADEMARK OR SYMBOL ON IT? _____

LIST ALL EXISTING SIGNAGE AND THEIR DIMENSIONS:

*** TENANT BLDG. FRONTAGE (IN FEET): 275'

*** REQUIRED INFORMATION

AREA FOR COMPUTATION

(I-M) multi Tenant

70' Allow max - 4x8 or 32' show

15' max height - not data -> to be made req

5' set back min - 10' show ok

YOU SHALL PROVIDE:

A SITE SKETCH AND BUILDING SKETCH SHOWING EXACTLY WHERE EXISTING AND NEW SIGNAGE IS LOCATED MUST BE PROVIDED. SKETCHES AND/OR PICTURES OF PROPOSED ARE ALSO REQUIRED.

SIGNATURE OF APPLICANT: Bill Sargent May 16, 2001 DATE:

Northeast Laboratory Services

BUILDING PERMIT REPORT

DATE: 19 MAY 2001 ADDRESS: 508 Riverside Street CBL: 321-A-003

REASON FOR PERMIT: Signage.

BUILDING OWNER: Dana C. Leavitt

PERMIT APPLICANT: CONTRACTOR J. S. Peterson

USE GROUP: CONSTRUCTION TYPE: CONSTRUCTION COST: PERMIT FEES:

The City's Adopted Building Code (The BOCA National Building Code/1999 with City Amendments)
The City's Adopted Mechanical Code (The BOCA National Mechanical Code/1993)

CONDITION(S) OF APPROVAL

This permit is being issued with the understanding that the following conditions shall be met: *1, *37, #32

- *1. This permit does not excuse the applicant from meeting applicable State and Federal rules and laws.
2. Before concrete for foundation is placed, approvals from the Development Review Coordinator and Inspection Services must be obtained.
3. Foundation drain shall be placed around the perimeter of a foundation that consists of gravel or crushed stone containing not more than 10 percent material that passes through a No. 4 sieve.
4. Foundations anchors shall be a minimum of 1/2" in diameter, 7" into the foundation wall, minimum of 12" from corners of foundation and a maximum 6' O.C. between bolts.
5. Waterproofing and dampproofing shall be done in accordance with Section 1813.0 of the building code.
6. Precaution must be taken to protect concrete and masonry.
7. It is strongly recommended that a registered land surveyor check all foundation forms before concrete is placed.
8. Private garages located beneath habitable rooms in occupancies in Use Group R-1, R-2, R-3 or I-1 shall be separated from adjacent interior spaces by fire partitions and floor/ceiling assembly which are constructed with not less than 1-hour fire resisting rating.
9. All chimneys and vents shall be installed and maintained as per Chapter 12 of the City's Mechanical Code.
10. Sound transmission control in residential building shall be done in accordance with Chapter 12, Section 1214.0 of the City's Building Code.
11. Guardrails & Handrails: A guardrail system is a system of building components located near the open sides of elevated walking surfaces for the purpose of minimizing the possibility of an accidental fall from the walking surface to the lower level.
12. Headroom in habitable space is a minimum of 7'6".
13. Stair construction in Use Group R-3 & R-4 is a minimum of 10" tread and 7 3/4" maximum rise.
14. The minimum headroom in all parts of a stairway shall not be less than 80 inches.
15. The Minimum required width of a corridor shall be determined by the most restrictive of the criteria under section 1011.3 but not less than 36".
16. Every sleeping room below the fourth story in buildings of Use Groups R and I-1 shall have at least one operable window or exterior door approved for emergency egress or rescue.
17. Each apartment shall have access to two (2) separate, remote and approved means of egress.
18. All vertical openings shall be enclosed with construction having a fire rating of at least one (1) hour, including fire doors with self closure's.
19. The boiler shall be protected by enclosing with (1) hour fire rated construction including fire doors and ceiling, or by providing automatic extinguishment.

5/18

- 20. All single and multiple station smoke detectors shall be of an approved type and shall be installed in accordance with the provisions of the City's Building Code Chapter 9, Section 920.3.2 (BOCA National Building Code/1999), and NFPA 101 Chapter 18 & 19. (Smoke detectors shall be installed and maintained at the following locations):
 - In the immediate vicinity of bedrooms
 - In all bedrooms
 - In each story within a dwelling unit, including basements
- 21. A portable fire extinguisher shall be located as per NFPA #10. They shall bear the label of an approved agency and be of an approved type. (Section 921.0)
- 22. The Fire Alarm System shall be installed and maintained to NFPA #72 Standard.
- 23. The Sprinkler System shall be installed and maintained to NFPA #13 Standard.
- 24. All exit signs, lights and means of egress lighting shall be done in accordance with Chapter 10 Section & Subsections 1023.0 & 1024.0 of the City's Building Code. (The BOCA National Building Code/1999)
- 25. Section 25 - 135 of the Municipal Code for the City of Portland states, "No person or utility shall be granted a permit to excavate or open any street or sidewalk from the time of November 15 of each year to April 15 of the following year".
- 26. The builder of a facility to which Section 4594-C of the Maine State Human Rights Act Title 5 MRSA refers, shall obtain a certification from a design professional that the plans commencing construction of the facility, the builder shall submit the certification the Division of Inspection Services.
- 27. Ventilation and access shall meet the requirements of Chapter 12 Sections 1210.0 and 1211.0 of the City's Building Code. (Crawl spaces & attics).
- 28. All electrical, plumbing and HVAC permits must be obtained by Master Licensed holders of their trade. **No closing in of walls until all electrical (min. 72 hours notice) and plumbing inspections have been done.**
- 29. All requirements must be met before a final Certificate of Occupancy is issued.
- 30. All building elements shall meet the fastening schedule as per Table 2305.2 of the City's Building Code (The BOCA National Building Code/1996).
- 31. Ventilation of spaces within a building shall be done in accordance with the City's Mechanical code (The BOCA National Mechanical Code/1993). (Chapter M-16)
- 32. Please read and implement the attached Land Use Zoning report requirements. *The sign shall be no taller than 15' in total height*
- 33. Boring, cutting and notching shall be done in accordance with Sections 2305.3, 2305.3.1, 2305.4.4 and 2305.5.1 of the City's Building Code.
- 34. Bridging shall comply with Section 2305.16.
- 35. Glass and glazing shall meet the requirements of Chapter 24 of the building code. (Safety Glazing Section 2406.0)
- 36. All flashing shall comply with Section 1406.3.10.
- * 37. All signage shall be done in accordance with Section 3102.0 signs of the City's Building Code, (The BOCA National Building Code/1999).

[Signature]
 E. Samuel Duffels, Building Inspector
 Cc: Lt. McDougall, PFD
 Marge Schmuckal, Zoning Administrator
 Michael Nugent, Inspection Service Manager

PSH 10/1/00

****This permit is herewith issued, on the basis of plans submitted and conditions placed on these plans, any deviations shall require a separate approval.**

*****THIS PERMIT HAS BEEN ISSUED WITH THE UNDERSTANDING THAT ALL THE CONDITIONS OF THE APPROVAL SHALL BE COMPLETED. THEREFORE, BEFORE THE WORK IS COMPLETED A REVISED PLAN OR STATEMENT FROM THE PERMIT HOLDER SHALL BE SUBMITTED TO THIS OFFICE SHOWING OR EXPLAINING THAT THE CONDITIONS HAVE BEEN MET. IF THIS REQUIREMENT IS NOT RECEIVED YOUR CERTIFICATE OF OCCUPANCY SHALL BE WITHHELD. (You Shall Call for Inspections)**

******ALL PLANS THAT REQUIRE A PROFESSIONAL DESIGNER'S SEAL, (AS PER SECTION 114.0 OF THE BUILDING CODE) SHALL ALSO BE PRESENTED TO THIS DIVISION ON AUTO CAD LT. 2000, DXF FORMAT OR EQUIVALENT.**

*******CERTIFICATE OF OCCUPANCY FEE \$50.00**

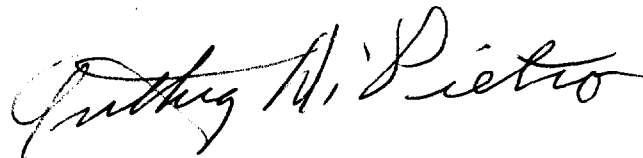
To: City Hall Signage Division

Date: May 16, 2001

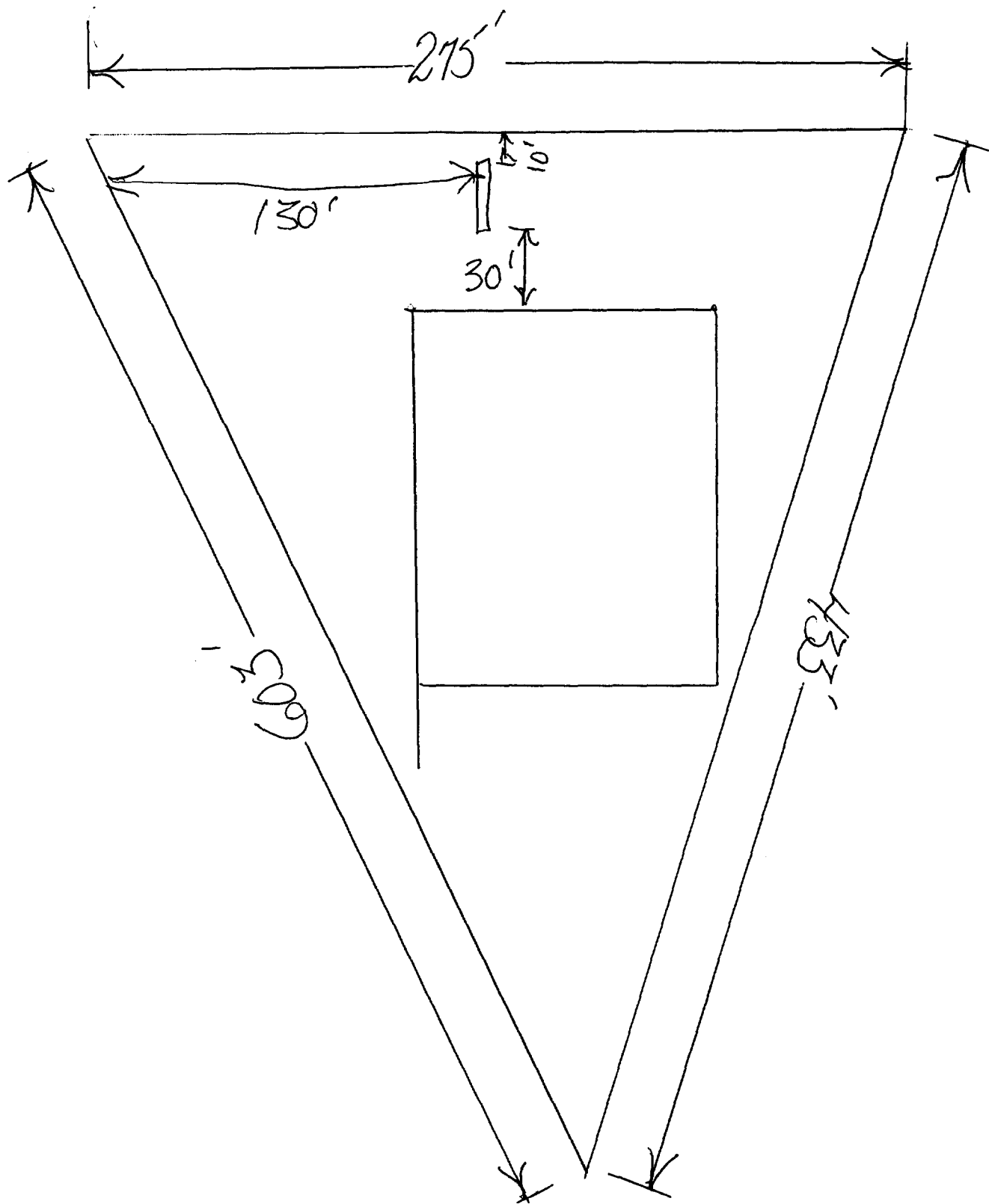
I hereby give my permission to Northeast Laboratory Services to install a Business Sign on my property at 508 Riverside Street, Portland, Maine 04103.

Sincerely

Anthony Dipietro

A handwritten signature in cursive script that reads "Anthony M. Dipietro". The signature is written in black ink and is positioned to the right of the typed name.

LOT DEM'



SIGN DEMI

