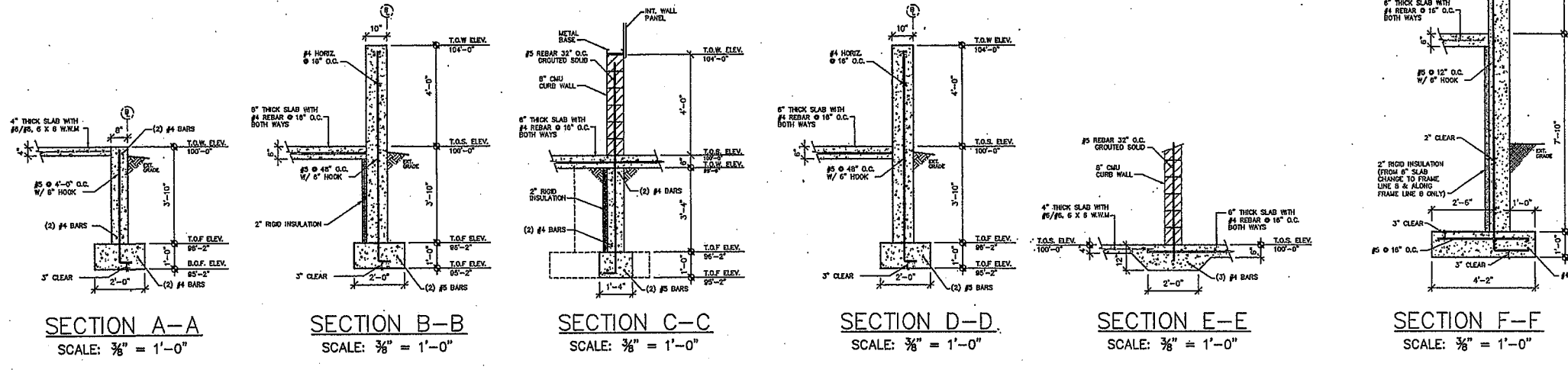


FOUNDATION PLAN
SCALE: 1/8" = 1'-0"

FOOTING SCHEDULE			
SYMBOL	SIZE (L X W X Th)	REINF. REQ'D	COMMENTS
F1	4'-0" x 4'-0" x 1'-0"	5 - #5 B.W.	BOTTOM REINF.
F2	8'-0" x 8'-0" x 1'-0"	7 - #5 B.W.	BOTTOM REINF.
F3	7'-3" x 7'-3" x 1'-4"	5 - #8 @ 12" O.C. BOTH WAYS	BOTTOM REINF.

TYPICAL WALL SECTIONS



- FOUNDATION NOTES:**
- THIS FOUNDATION PLAN IS FOR VARCO-PRUDEN, REFERENCE 10-6855 DATED:
 - DESIGN MAXIMUM ASSUMED SOIL BEARING PRESSURE=3000 PSF, CONTRACTOR TO CONFIRM.
 - CONCRETE IS 3000 PSI @ 28 DAYS, EXCEPT AS NOTED ON PLANS.
 - CONCRETE WORK SHALL CONFORM WITH ACI 315, "SPECIFICATIONS FOR STRUCTURAL CONCRETE FOR BUILDINGS".
 - REINFORCING TO BE GRADE 60, NEW DEFORMED BARS.
 - ALL FOUNDATION WALLS ARE 10" WIDE, UNLESS NOTED OTHERWISE ON PLANS.
 - UNLESS NOTED ON PIER DETAILS, ALL ANCHOR RODS ARE 3/4" DIA. ASTM F1554 A36 THREADED ROD WITH NUT EACH END. ALL ANCHOR RODS ARE 16" LONG WITH 3" EXPOSED U.O.N.
 - REF. ELEV. TOP OF FOUNDATION WALL=104'-0", TYP. UNLESS NOTED OTHERWISE THUS "TOW=". REF. ELEV. TOP OF PIER=104'-0", TYP. UNLESS NOTED OTHERWISE THUS "TOP=". REFERENCE PLAN FOR BOTTOM OF WALL FOOTING ELEVATION "BOF=".
 - ALL EXTERIOR FOOTINGS SHALL EXTEND 4'-4" BELOW FINISH GRADE (MINIMUM).
 - SEE VP PLANS FOR ANCHOR ROD LOCATION, ORIENTATION, AND SIZE.
 - CALCIUM CHLORIDE IS NOT ALLOWED IN ANY CONCRETE AND WILL BE REJECTED IF IT'S ALLOWED BY CONCRETE MIX.
 - G.C. TO VERIFY AND COORDINATE ALL LOCATIONS OF OVERHEAD DOORS (OHD), PEOPLE DOORS, AND LOADING DOCKS.

REV.	DESCRIPTION	DATE	BY
1	TED GREENLAW REVISIONS	5/6/10	JDB

PATCO CONSTRUCTION, INC.
1293 MAIN STREET SANFORD, ME 04073
TEL: (207)324-5574 FAX: (207)324-1643
WWW.PATCO-CONSTRUCTION.COM

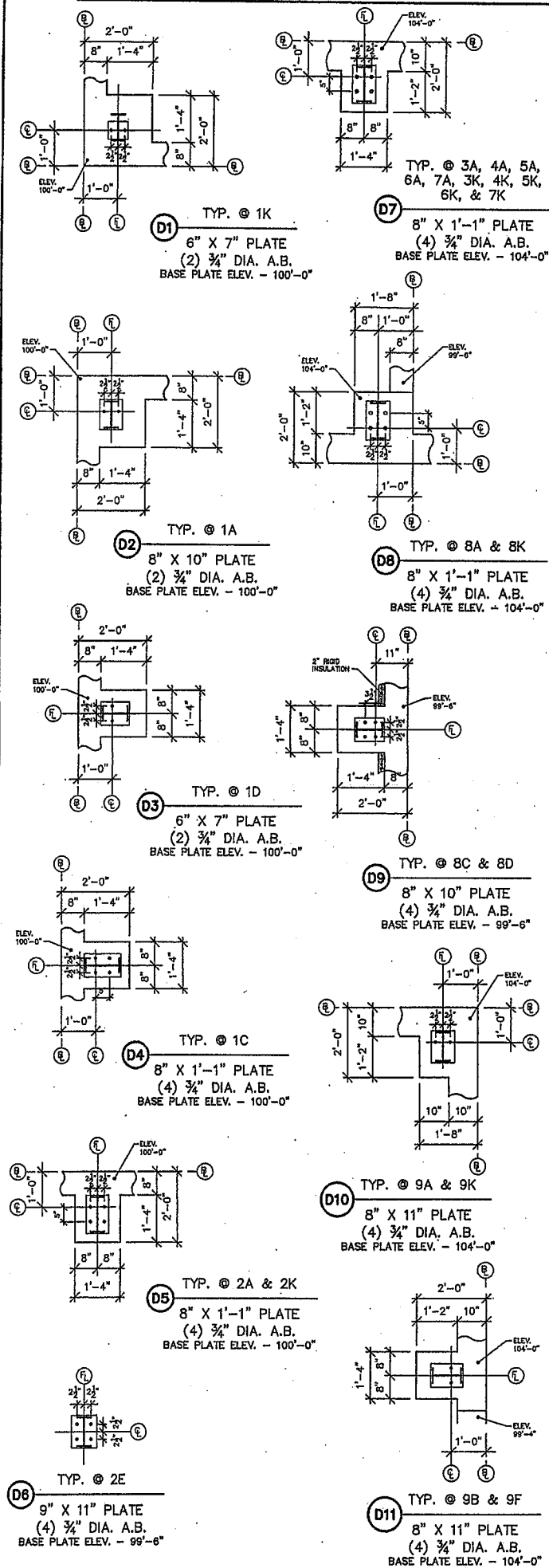
PROPOSED BUILDING FOR:
SCHNITZER NORTHEAST
RIVERSIDE STREET
PORTLAND, ME

FOUNDATION PLAN

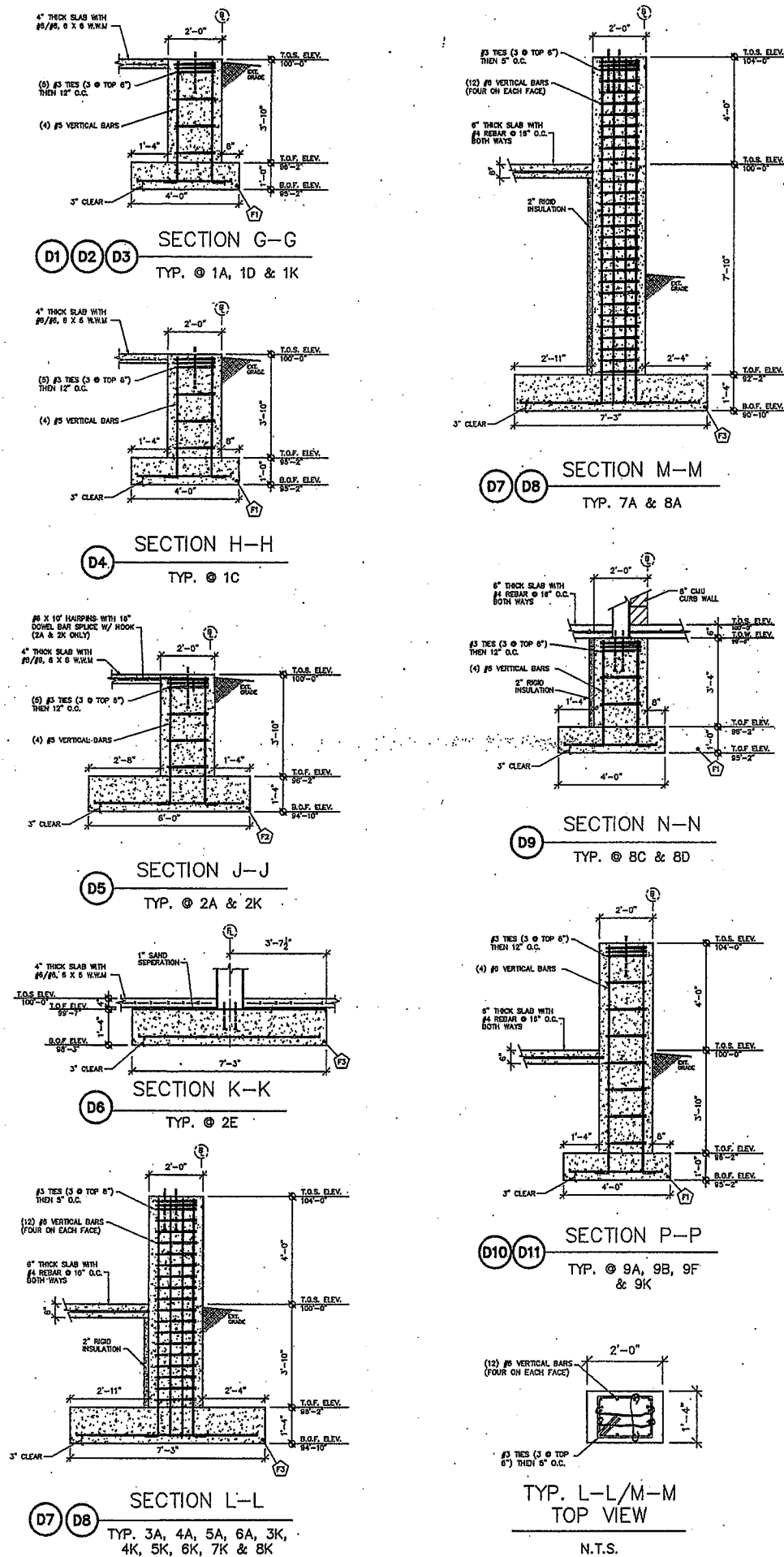
DATE: APRIL 23, 2010
SCALE: AS SHOWN
DRAWN BY: M.T.PELLETTIER
CHECKED BY:
JOB NUMBER: 2771
SHEET: F1

STATE OF MAINE
LICENSED PROFESSIONAL ENGINEER
NO. 9862

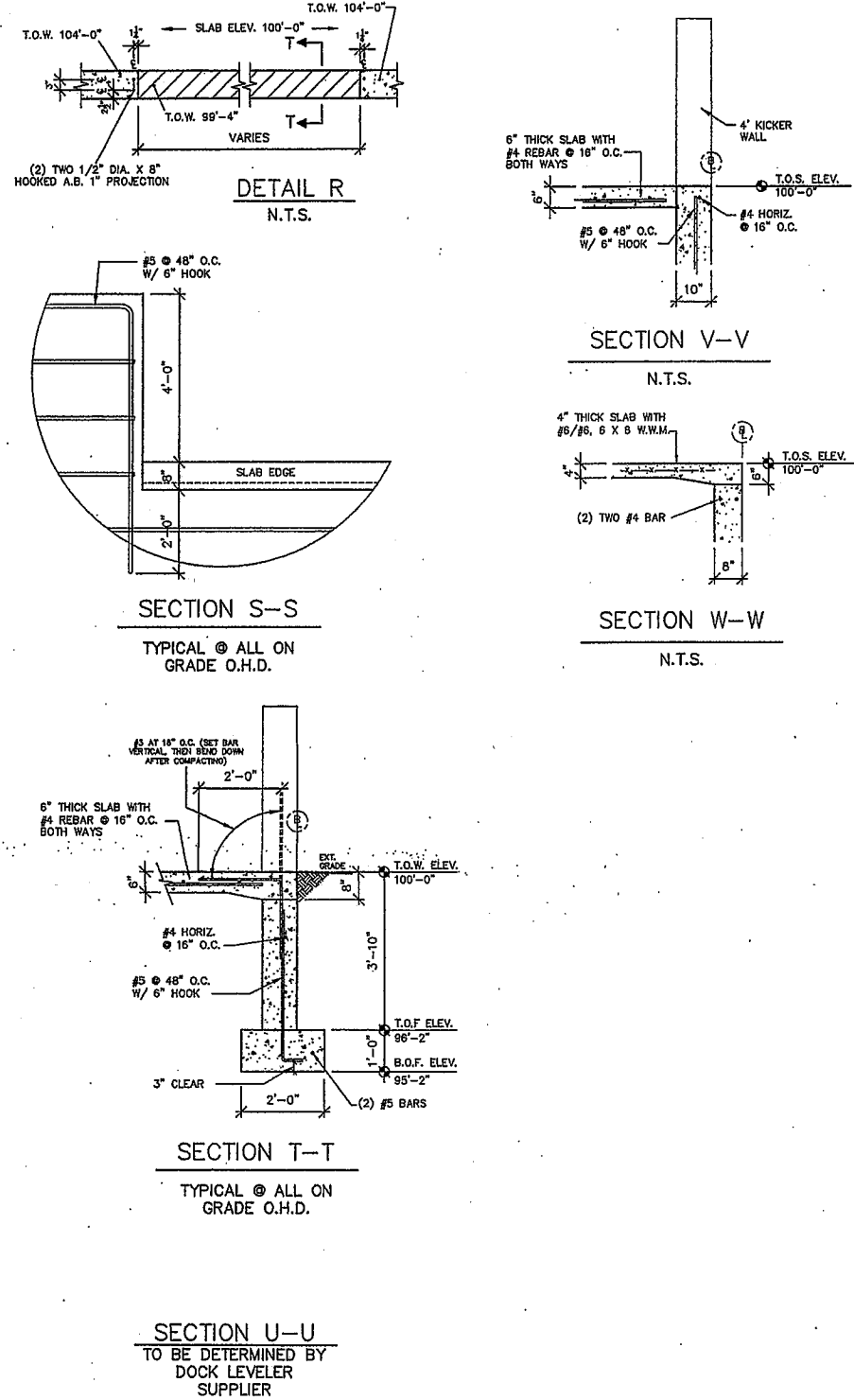
ANCHOR BOLT DETAILS



PIER & FOOTING SECTIONS



DOORS & DOCK DETAILS



DATE	3/9/10
DESCRIPTION	TED GREENLAW REVISIONS
REV	1

PATCO CONSTRUCTION, INC.
1293 MAIN STREET SANFORD, ME 04073
TEL: (207)324-5574 FAX: (207)324-1643
www.patco-construction.com

PROPOSED BUILDING FOR:
SCHNITZER NORTHEAST
RIVERSIDE STREET
PORTLAND, ME

ANCHOR BOLTS & SECTIONS

DATE	APRIL 23, 2010
SCALE	AS SHOWN
DRAWN BY	M.T.PELLETIER
CHECKED BY	
JOB NUMBER	2771
SHEET	

