

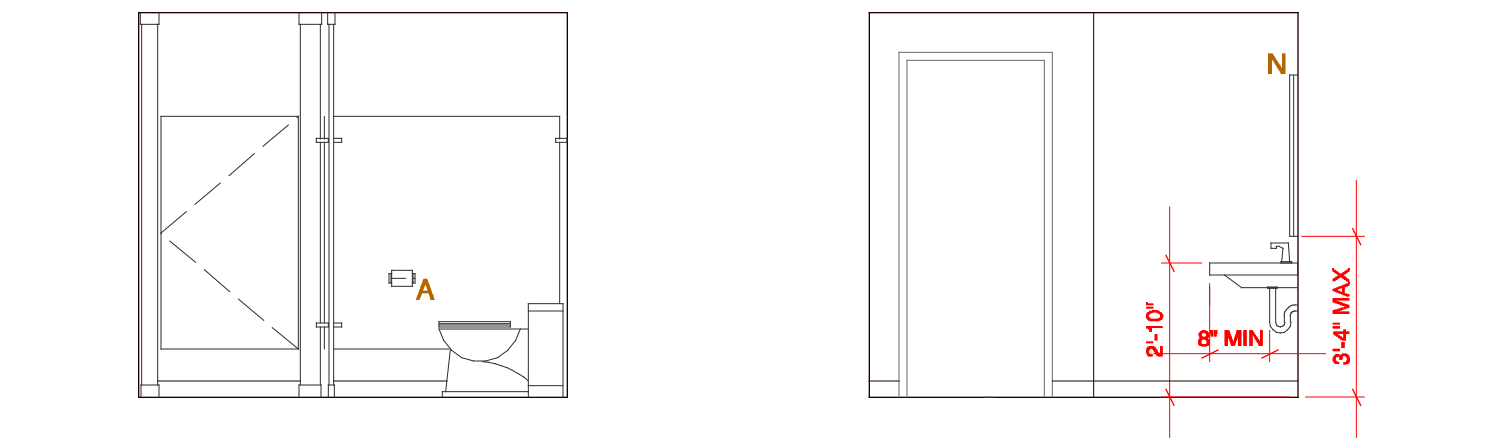
Approximate location of new wall construction extending to underside of structure above.
 New wall construction
 Existing wall construction to remain
 Proposed location of Fire Alarm Control Panel
 Fire Alarm Pull Station
 Proposed location of Knox Box
 Proposed location of Fire Extinguisher

project name
COMNAV
 project location
 430 Riverside Street
 Portland, Maine

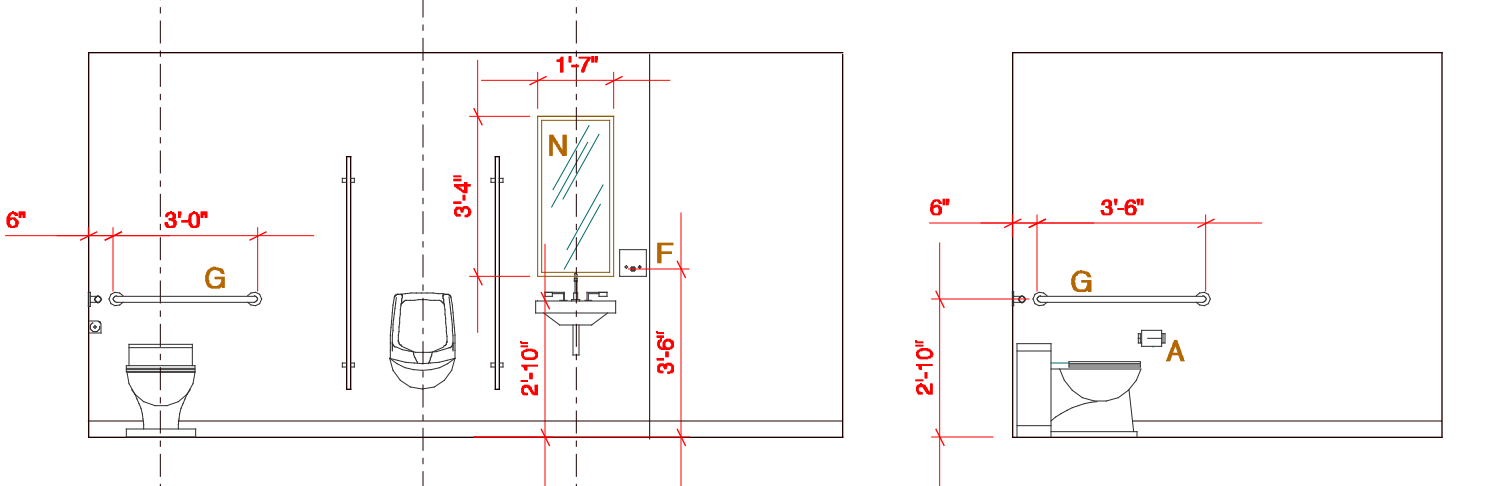
plan north
 true north

SUBMITTED FOR BUILDING PERMITS
 02/17/2012

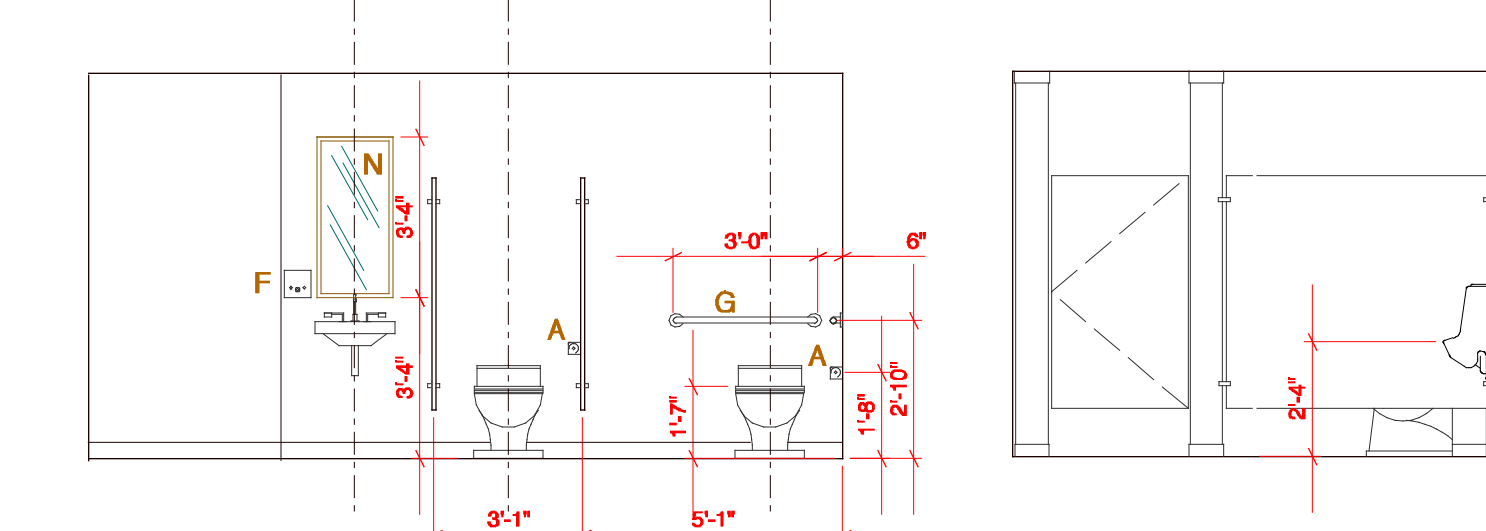
February 17, 2012
 1/8" = 1'-0"
 2011-016
 drawing title
Exisit. Conditions & Demolition Plans
 drawing number
A101



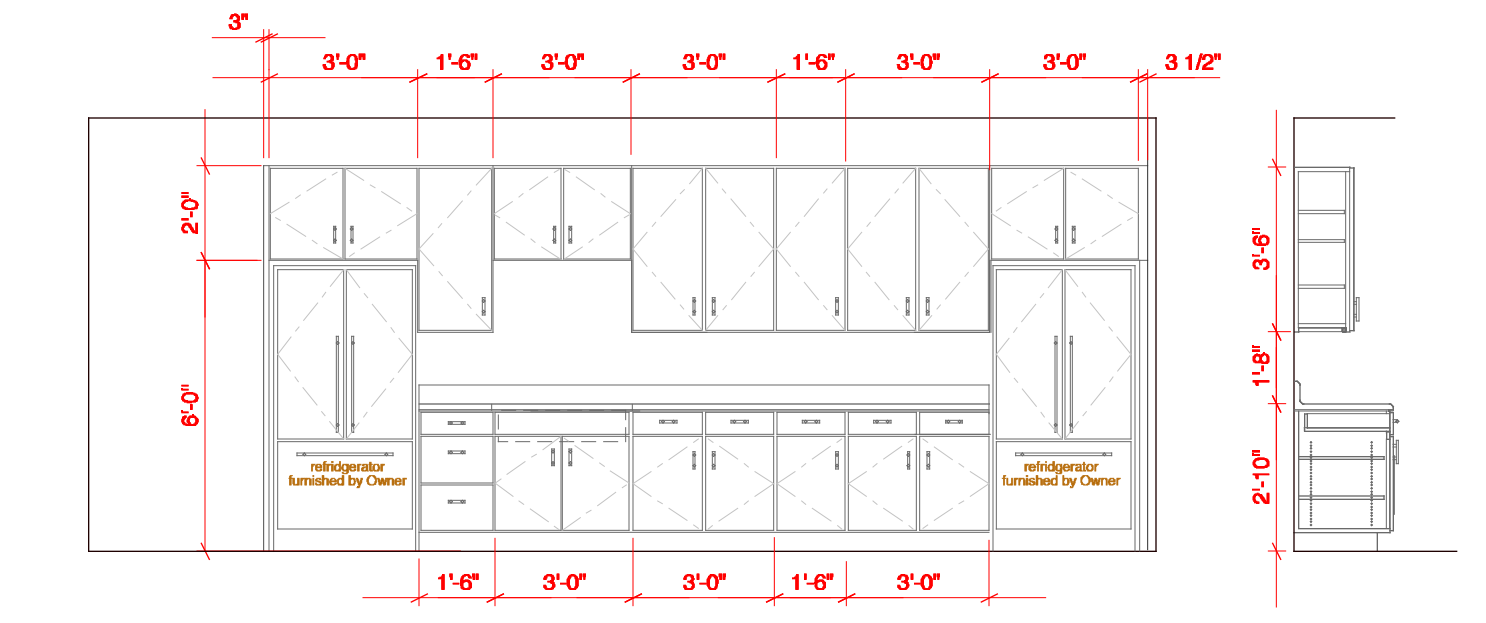
27 Bathroom Elevation 28 Bathroom Elevation



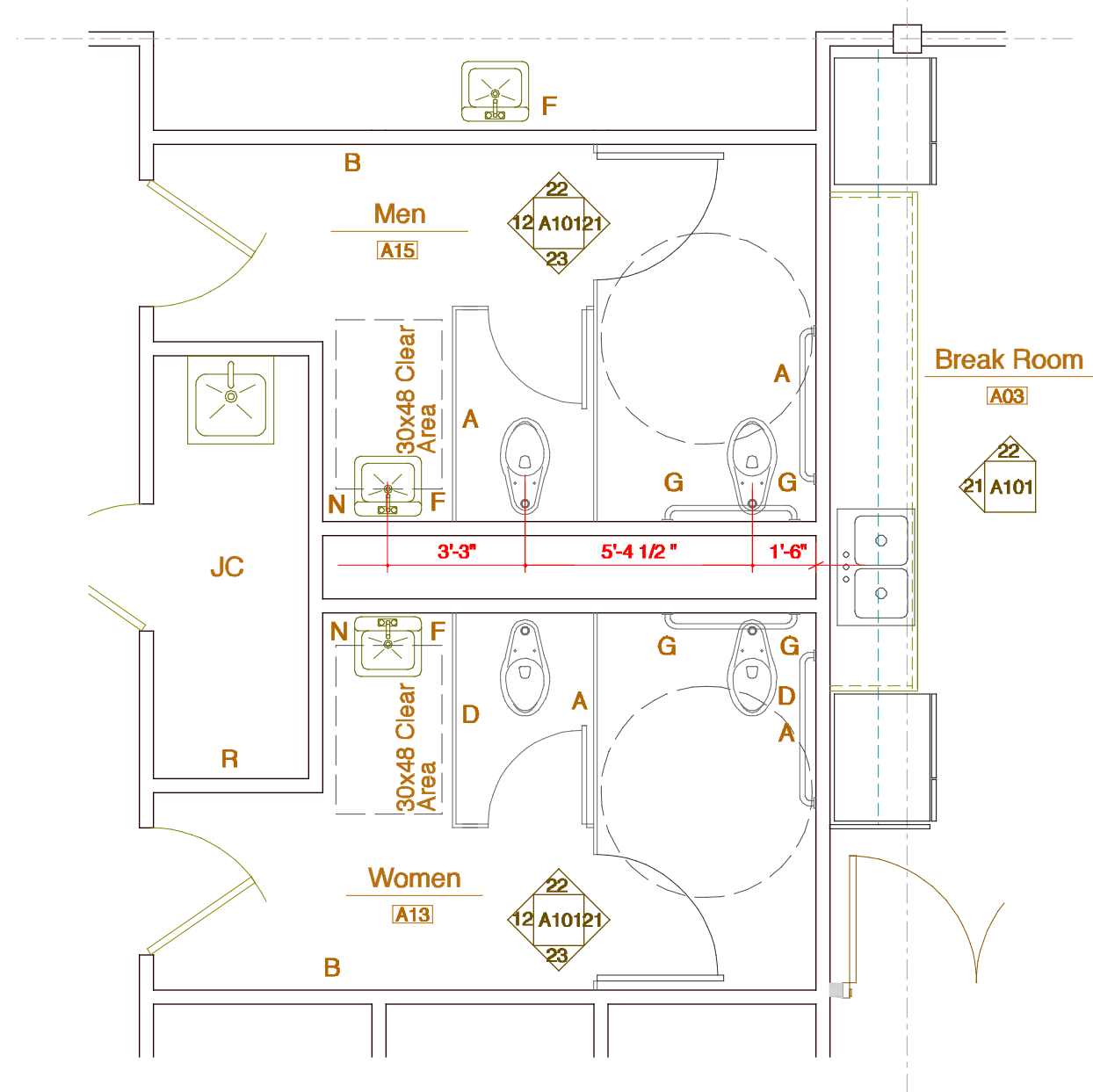
25 Bathroom Elevation 26 Bathroom Elevation



23 Bathroom Elevation 24 Bathroom Elevation

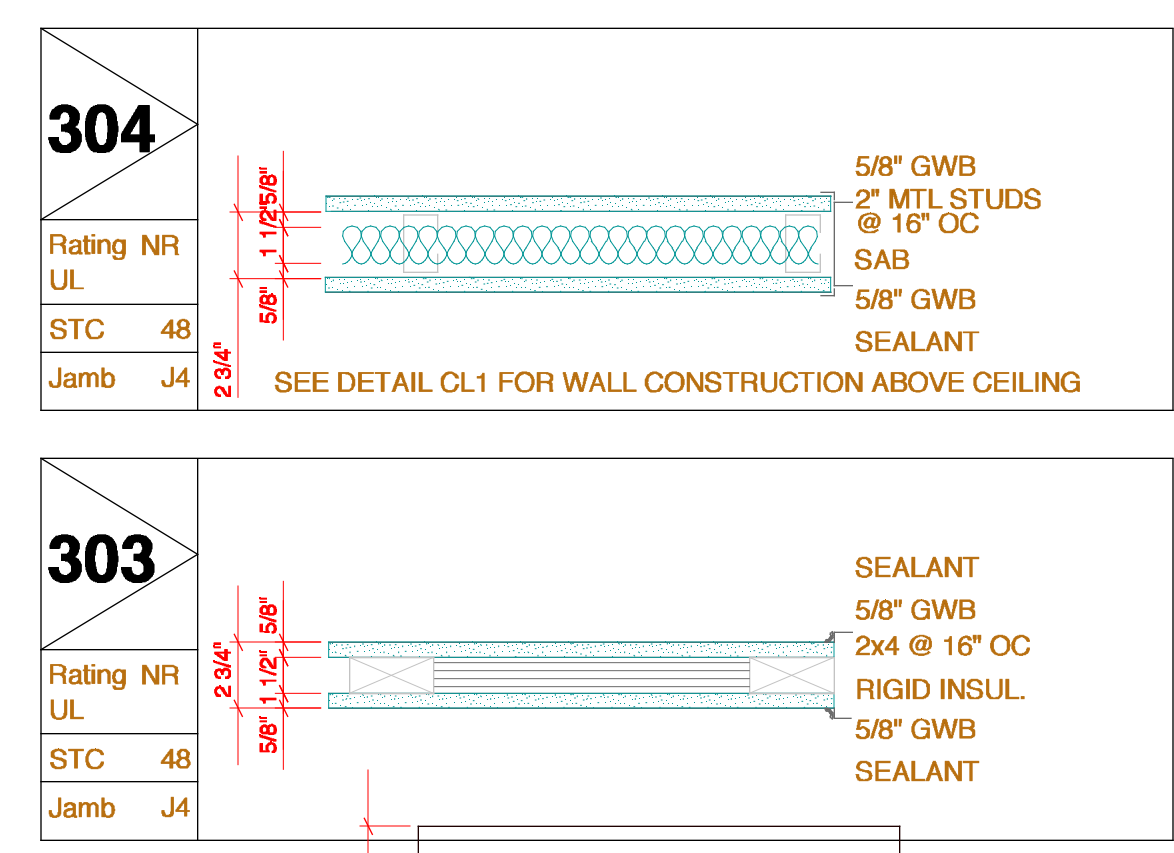


21 Enlarged Break Room Elevation

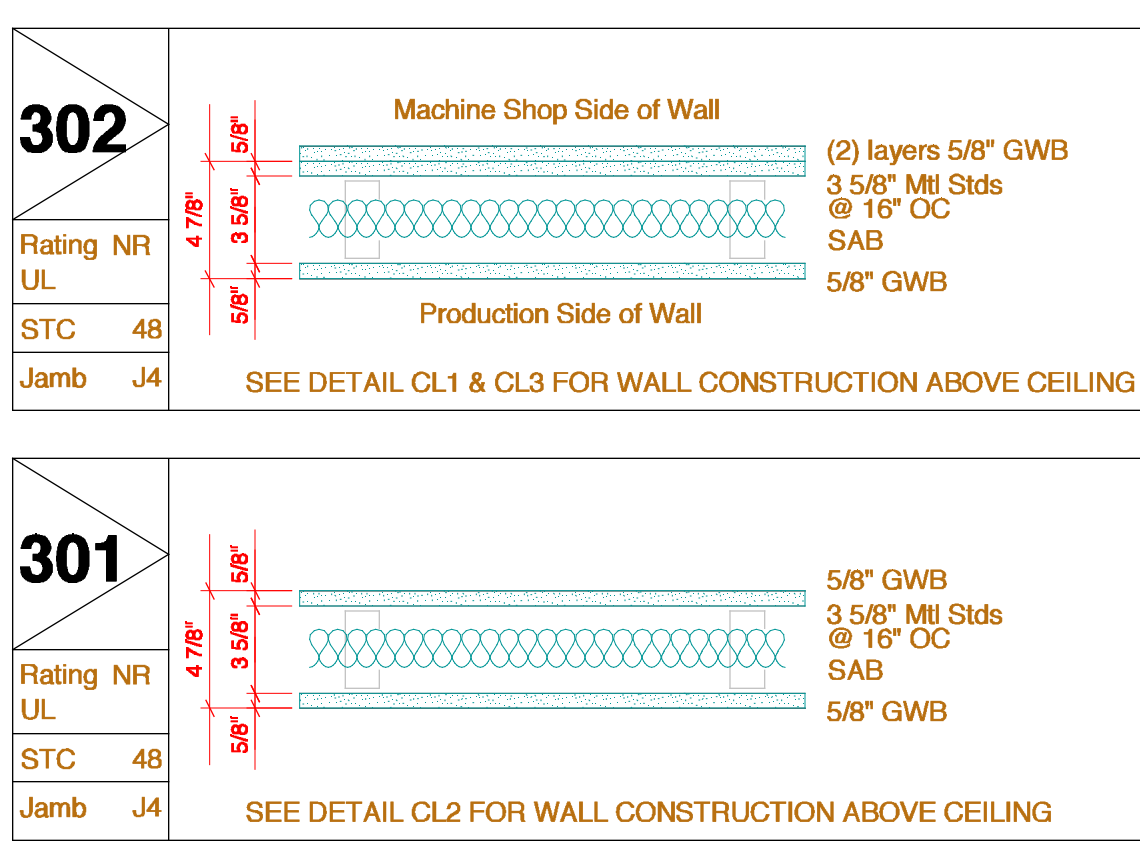


20 Proposed Floor Plan

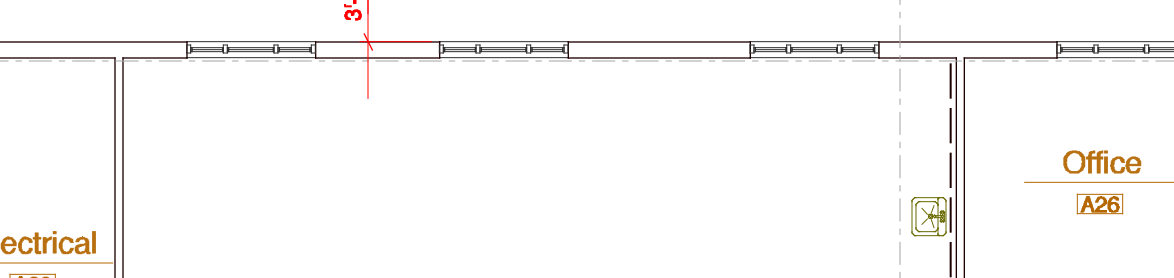
Toilet Accessories Schedule		
Description	Finish	
A Toilet Tissue Holder	SS / SF	
B Paper Towel Dispens./Dispos.	SS / SF	
C Sanitary Napkin Dispenser	SS / SF	
D Sanitary Napkin Disposal	SS / SF	
E NOT USED	SS / SF	
F Soap Dispenser - Wall Mount	SS / SF	
G Grab Bars Bobrick Series	SS / SF	
H NOT USED		
J NOT USED		
K NOT USED		
L Robe Hook	SS / SF	
M Mirror- Tilting	SS / SF	
N Mirror	SS / SF	
O Soap Dish- Recess.	SS / SF	
P Soap Dish- Surface Mount	SS / SF	
R Mop Rack		
S Mop Rack w/ Shelf		
T NOT USED		



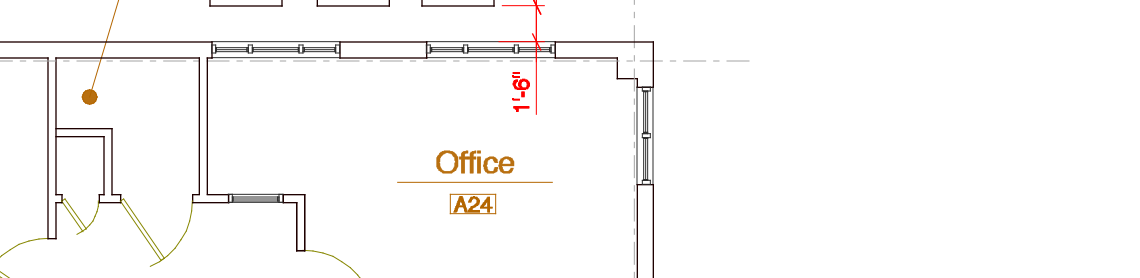
304 Rating NR UL STC 48 Jamb J4 SEE DETAIL CL1 FOR WALL CONSTRUCTION ABOVE CEILING



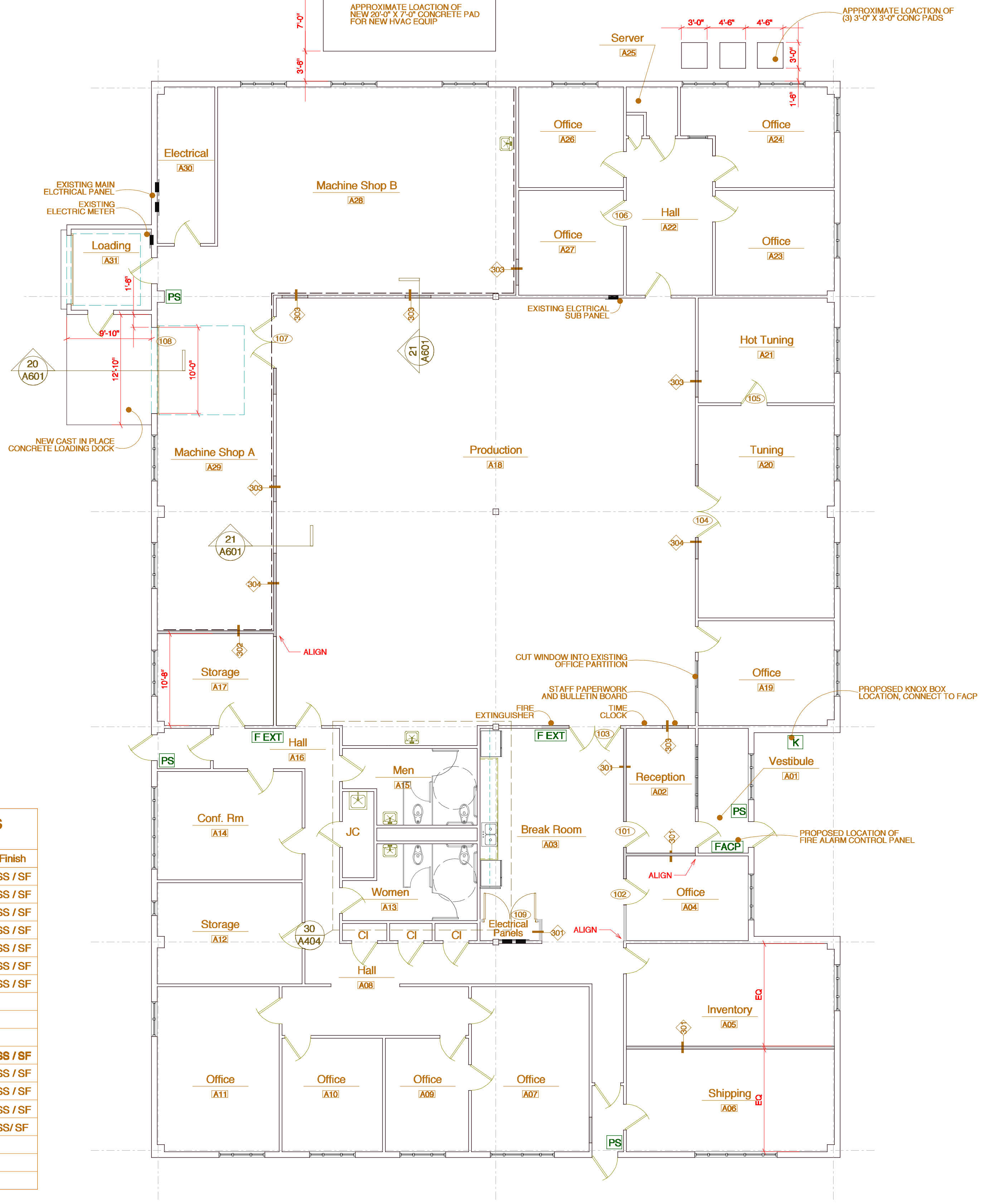
302 Rating NR UL STC 48 Jamb J4 SEE DETAIL CL1 & CL3 FOR WALL CONSTRUCTION ABOVE CEILING



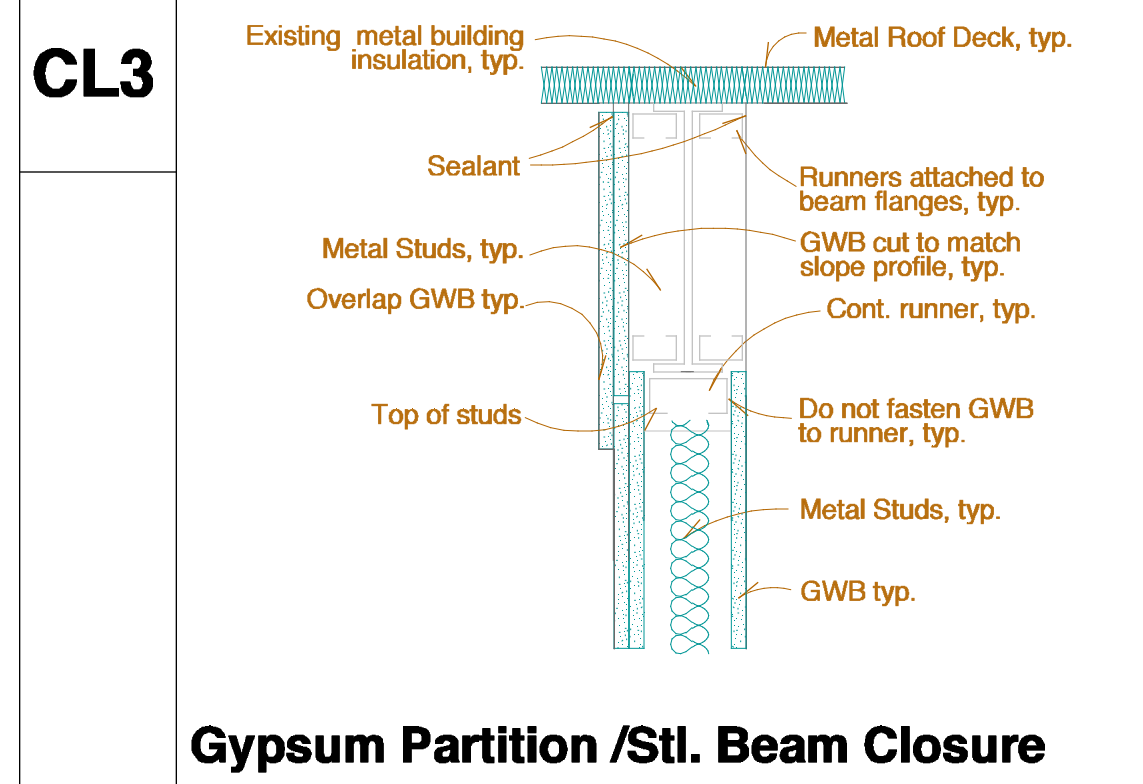
303 Rating NR UL STC 48 Jamb J4



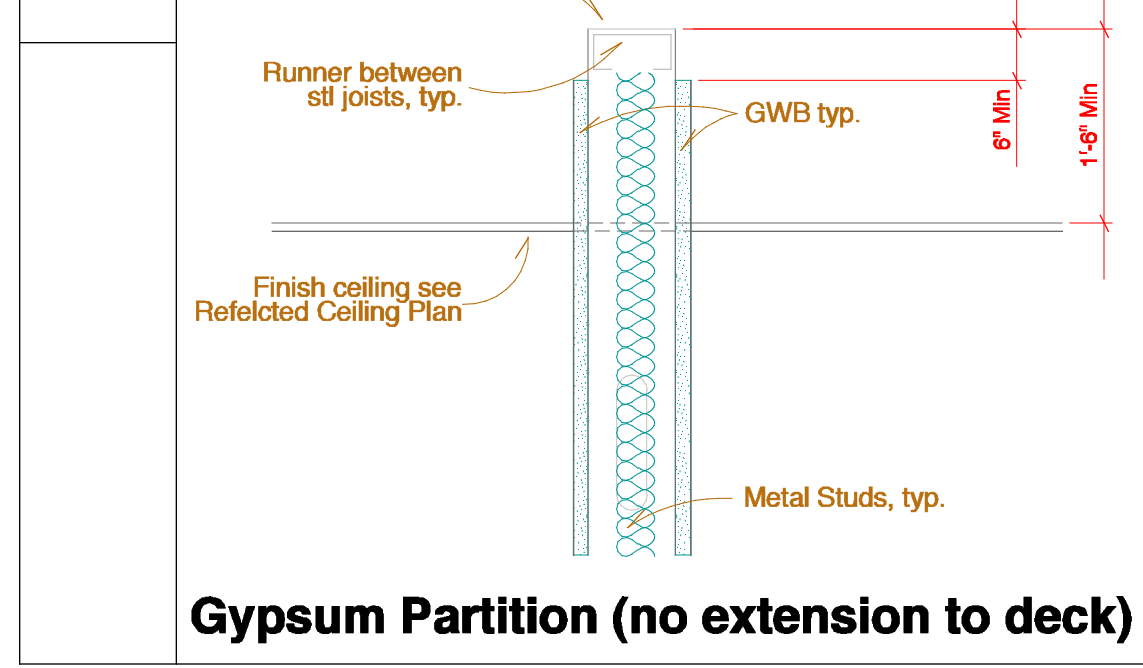
301 Rating NR UL STC 48 Jamb J4 SEE DETAIL CL2 FOR WALL CONSTRUCTION ABOVE CEILING



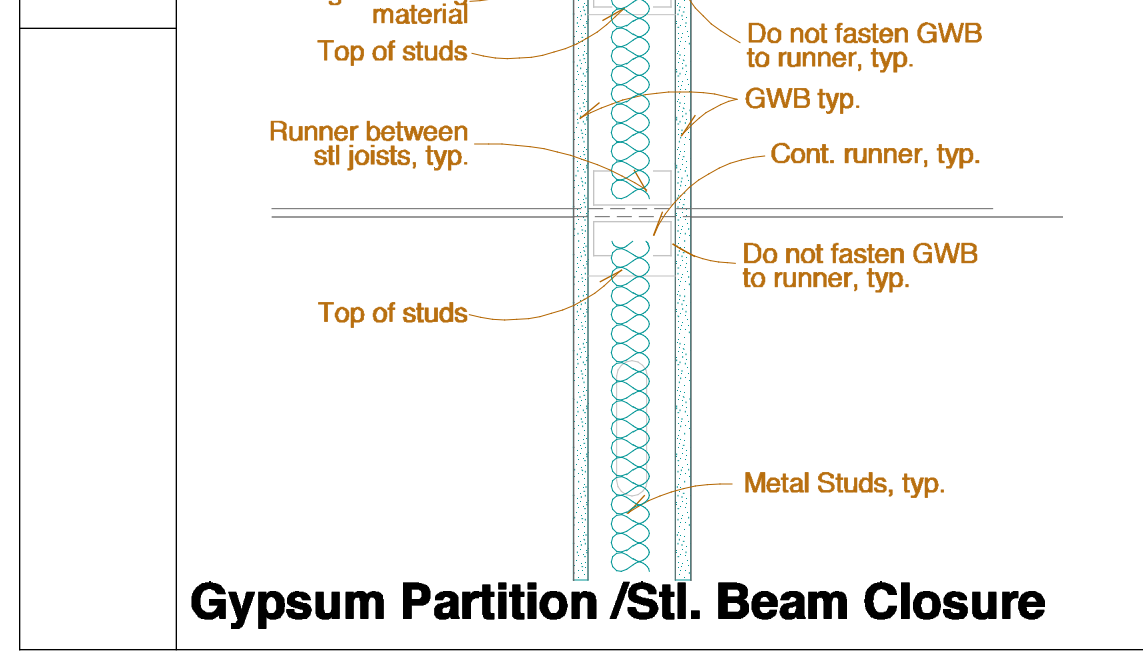
10 Proposed Floor Plan



CL3 Gypsum Partition /Stl. Beam Closure



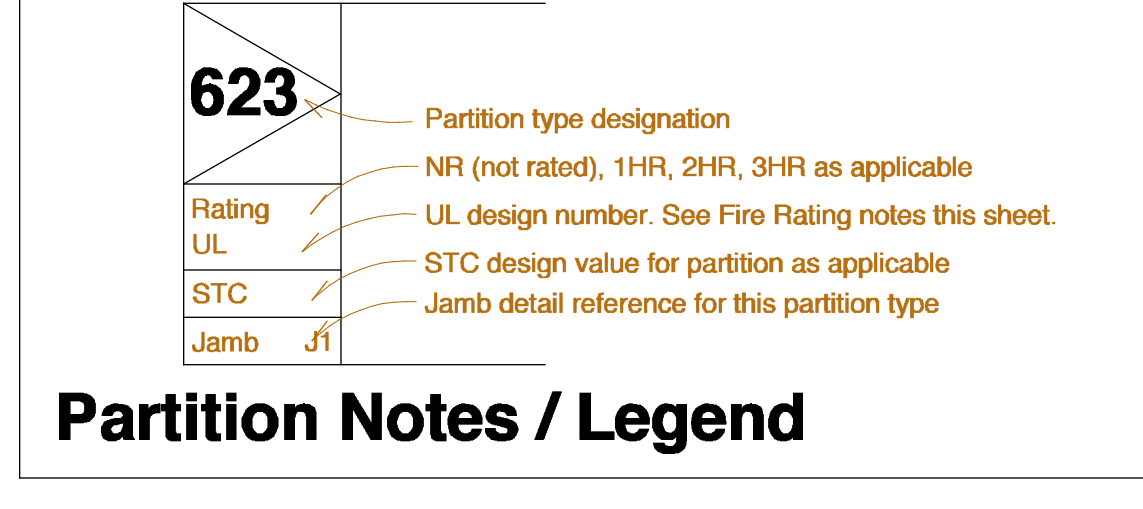
CL2 Gypsum Partition (no extension to deck)



CL1 Gypsum Partition /Stl. Beam Closure

- Fire Rating Notes**
- All Fire Rated assemblies to be constructed in accordance with the appropriate U.L. design number for the construction type. Fire Rated assemblies shall conform to the following U.L. design numbers for their construction type, unless noted otherwise:
 - Provide firestopping at all penetrations in fire rated assemblies, and where fire rated assemblies abut other construction.
 - All partitions shall extend to the underside of structure above, unless noted otherwise.
 - Columns and beams supporting fire rated partitions shall be 1 hour rated, unless noted otherwise.

- Partition Notes / Legend**
- Partition type designations refer to the following wall construction systems:
 200 Series - 2 1/2" Metal stud construction
 300 Series - 3 5/8" Metal stud construction
 600 Series - 6" Metal stud construction
 800 Series - 8" Metal stud construction
 C Series - Chasewall construction
 M Series - CMU construction
 S Series - Shaftwall construction
 - All GWB to be cut to fit around penetrations, pipes, ducts, conduit, cables, etc. All penetrations shall be sealed with acoustic sealant, unless noted otherwise.
 - All partitions extending to underside of slab above shall fully follow the contour of structure.
 - All sound insulated partitions shall extend to the underside of structure above, unless noted otherwise.
 - All sound insulated partitions shall be sealed with acoustic sealant under the shoe, head, and jamb, and at all GWB joints.
 - Refer to Room Finish Schedule for wall finish and base information.



623 Partition type designation
 Rating NR (not rated), 1HR, 2HR, 3HR as applicable
 UL design number. See Fire Rating notes this sheet.
 STC design value for partition as applicable
 Jamb J4 Jamb detail reference for this partition type