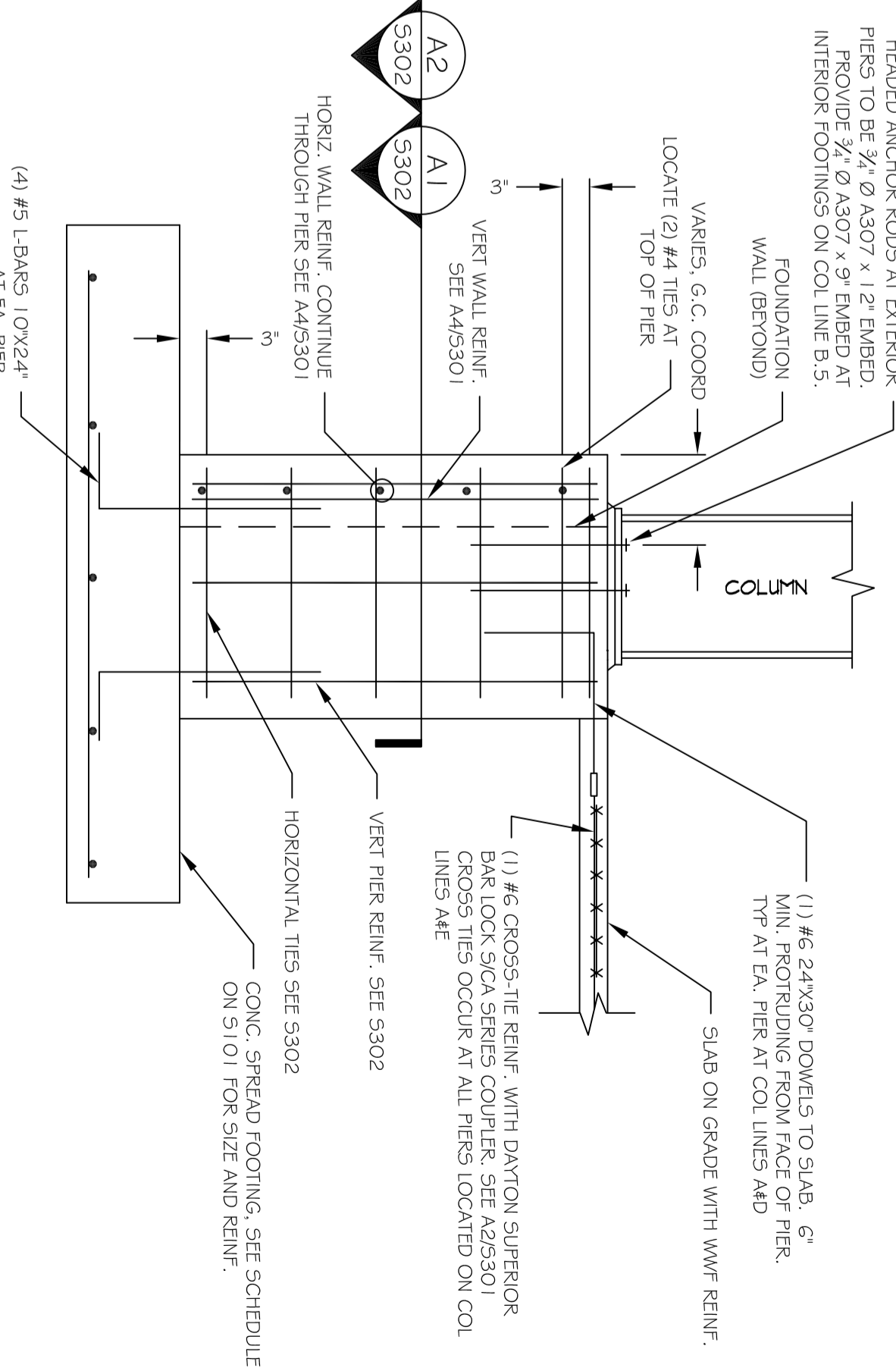
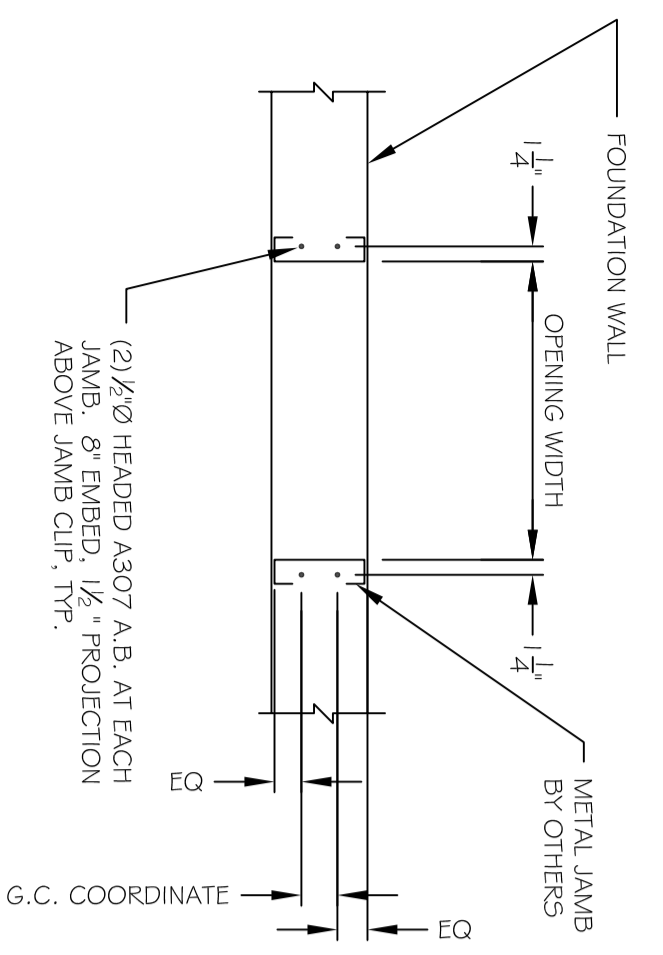


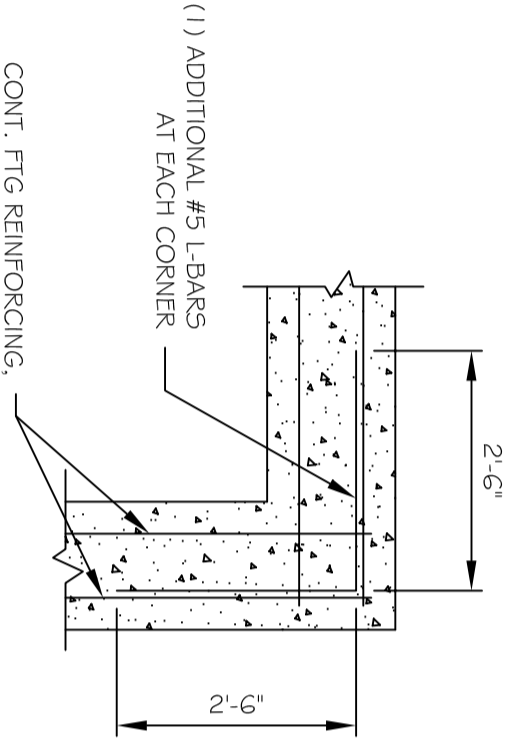
C2 TYPICAL EARTHWORK DETAIL
S101 SCALE: 1/2" = 1'-0"



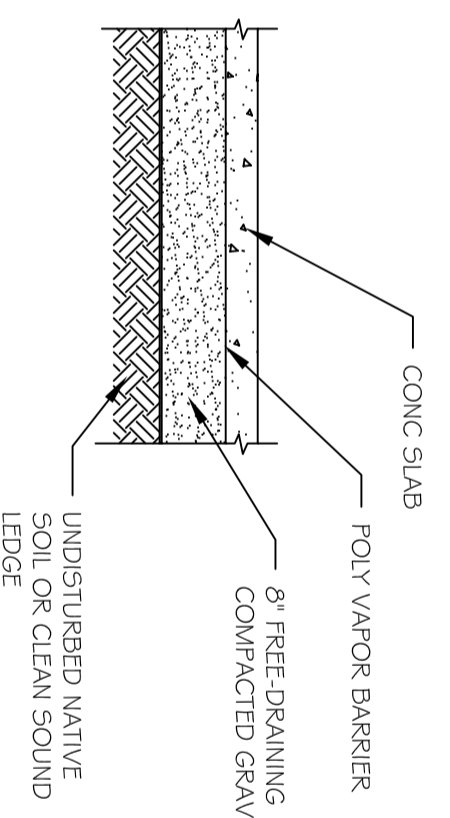
C1 TYPICAL PIER / FTG SECTION
S101 SCALE: 3/4" = 1'-0"



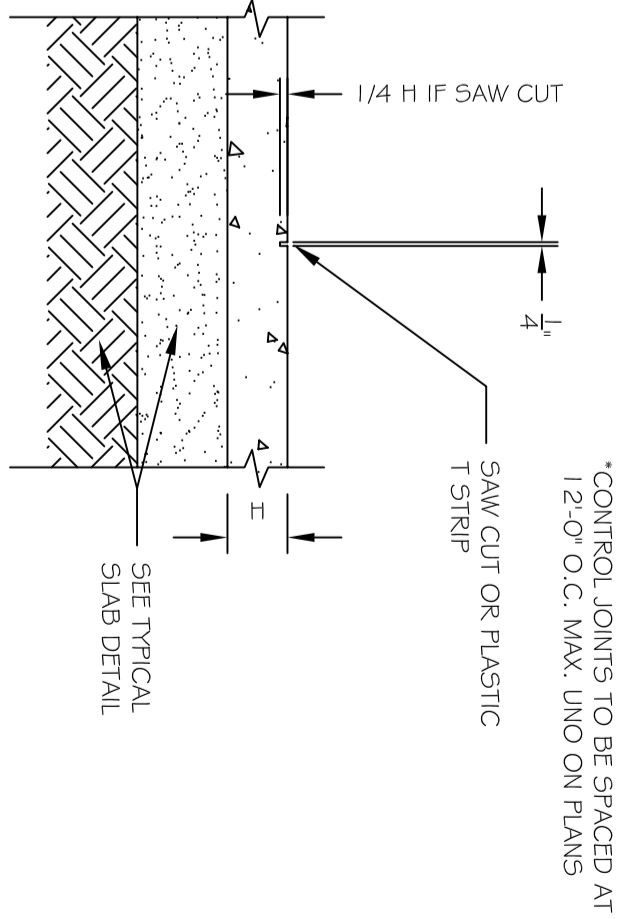
B4 ANCHORS AT FRAMED OPENINGS
S101 SCALE: 3/4" = 1'-0"



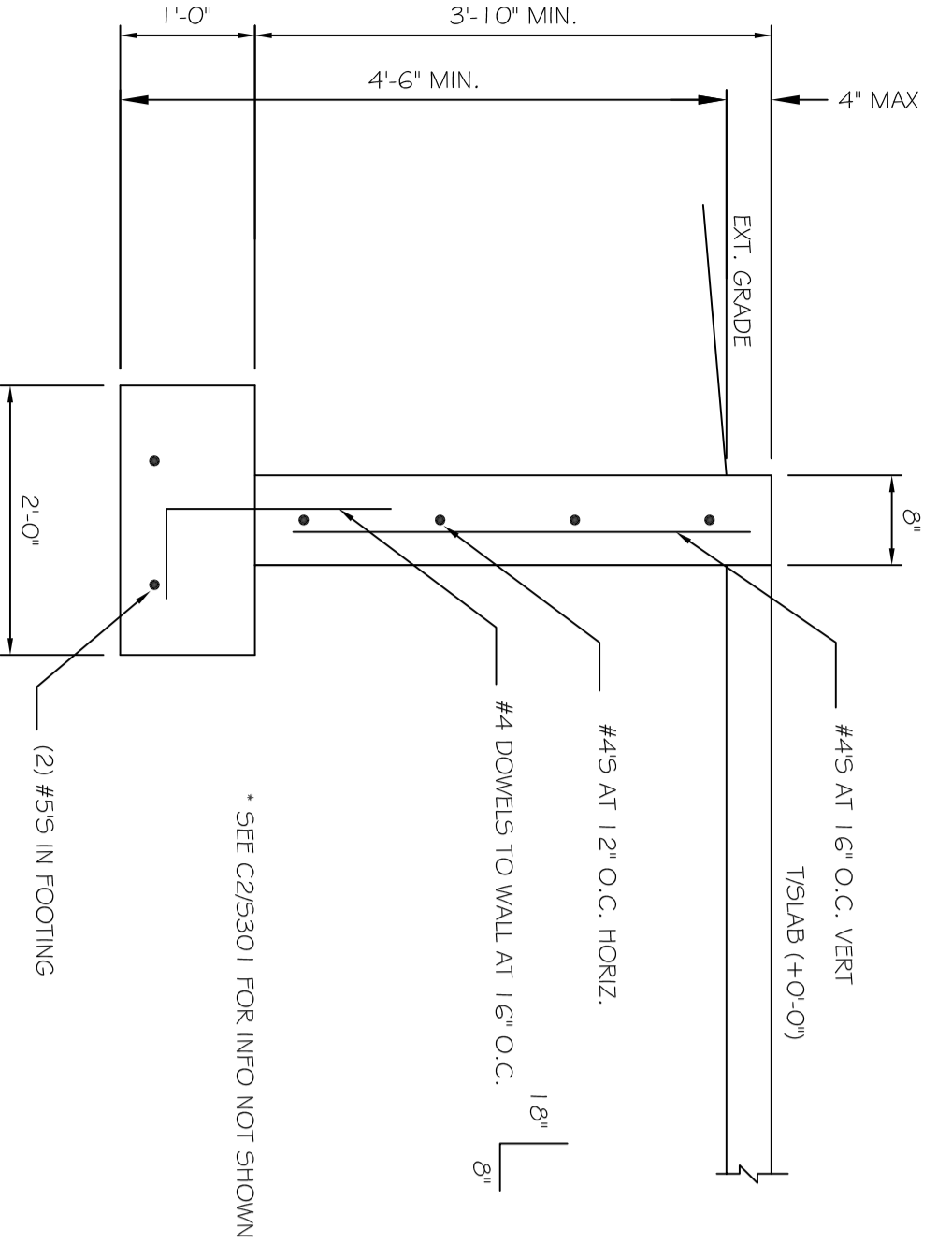
B3 CORNER REINFORCING IN FOOTING
S101 SCALE: 1/2" = 1'-0"



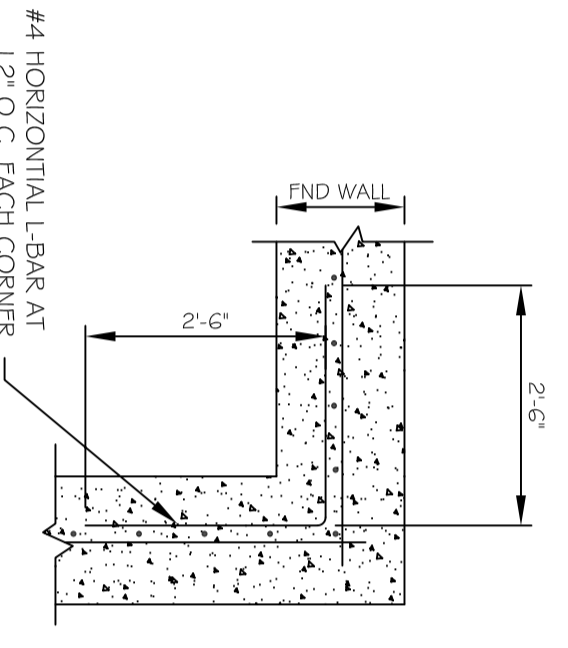
B2 TYPICAL SLAB DETAIL
S101 SCALE: 1/2" = 1'-0"



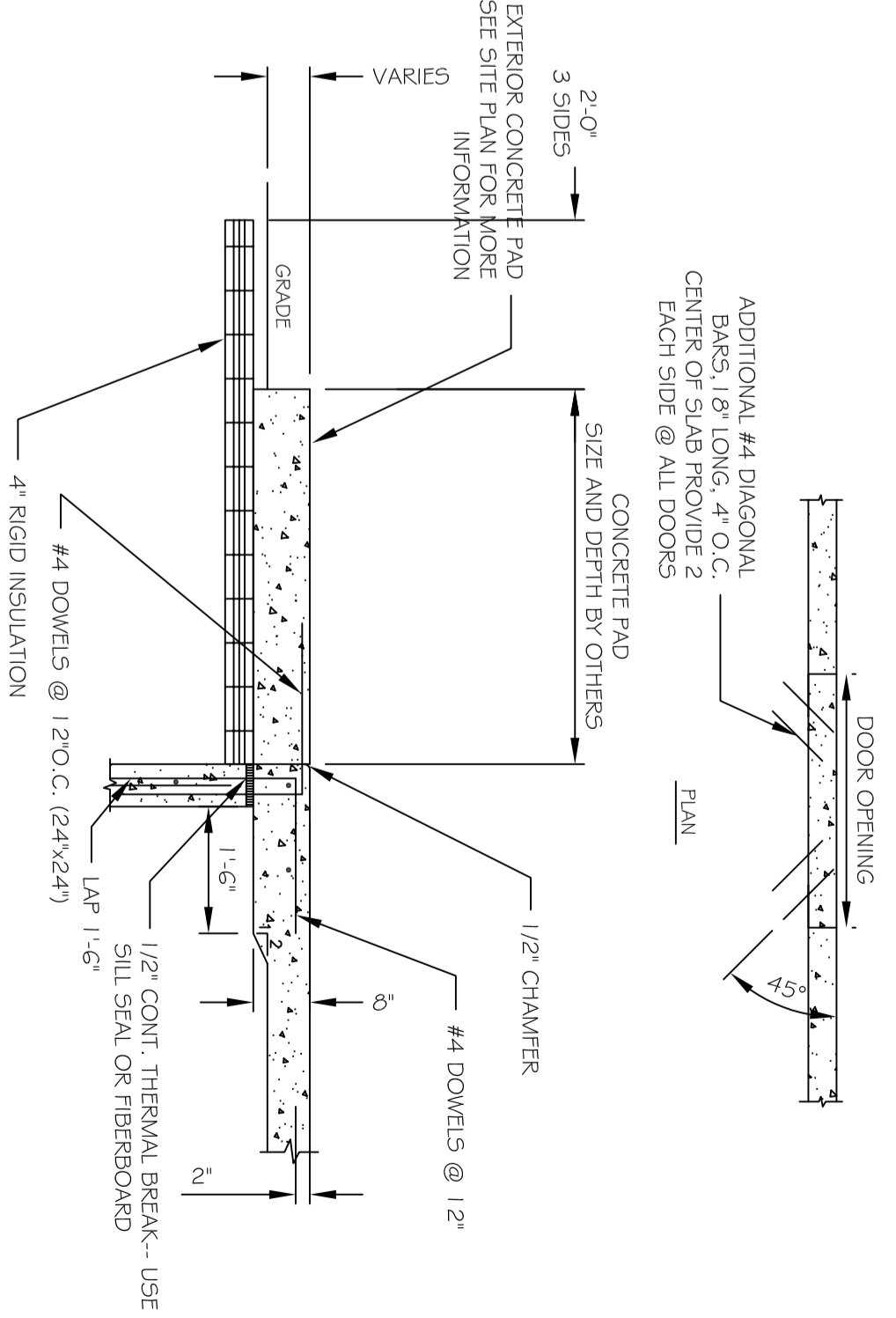
B1 TYPICAL SLAB CONTROL JOINT DETAIL
S101 SCALE: 3/4" = 1'-0"



A4 TYPICAL 8\"/>



A3 CORNER REINFORCING IN FOUNDATION WALL
S101 SCALE: 1/2" = 1'-0"



A1 TYPICAL SLAB DETAILS @ DOOR OPENINGS
S101 SCALE: 1/2" = 1'-0"

REVISIONS			
No.	BY	DESCRIPTION	DATE

PROJECT: McALISTER FARM BUILDING
PORTLAND, ME
FOR: KEN PORTER - PORTER DRYWALL

SHEET TITLE: FOUNDATION DETAILS
ISSUED FOR PERMITTING

THIS DRAWING, DESIGN AND CONSTRUCTION OF ASSOCIATED DESIGN PARTNERS, INC. IS THE PROPERTY OF ASSOCIATED DESIGN PARTNERS, INC. NO REPRODUCTION, COPYING OR ANY OTHER USE IS PERMITTED WITHOUT WRITTEN CONSENT.

ASSOCIATED DESIGN PARTNERS INC.

80 Leighton Road Falmouth, Maine 04105

Office: (207) 878-1751
Fax: (207) 878-1788
E-Mail: adp@adpengineering.com

DATE: 11-06-09-05
SCALE: AS NOTED
DESIGN BY: ASW
DRAWN BY: ASW
FILE #: 05005-5301
PROJECT NUMBER: 05005
SHEET NO.: 5301