

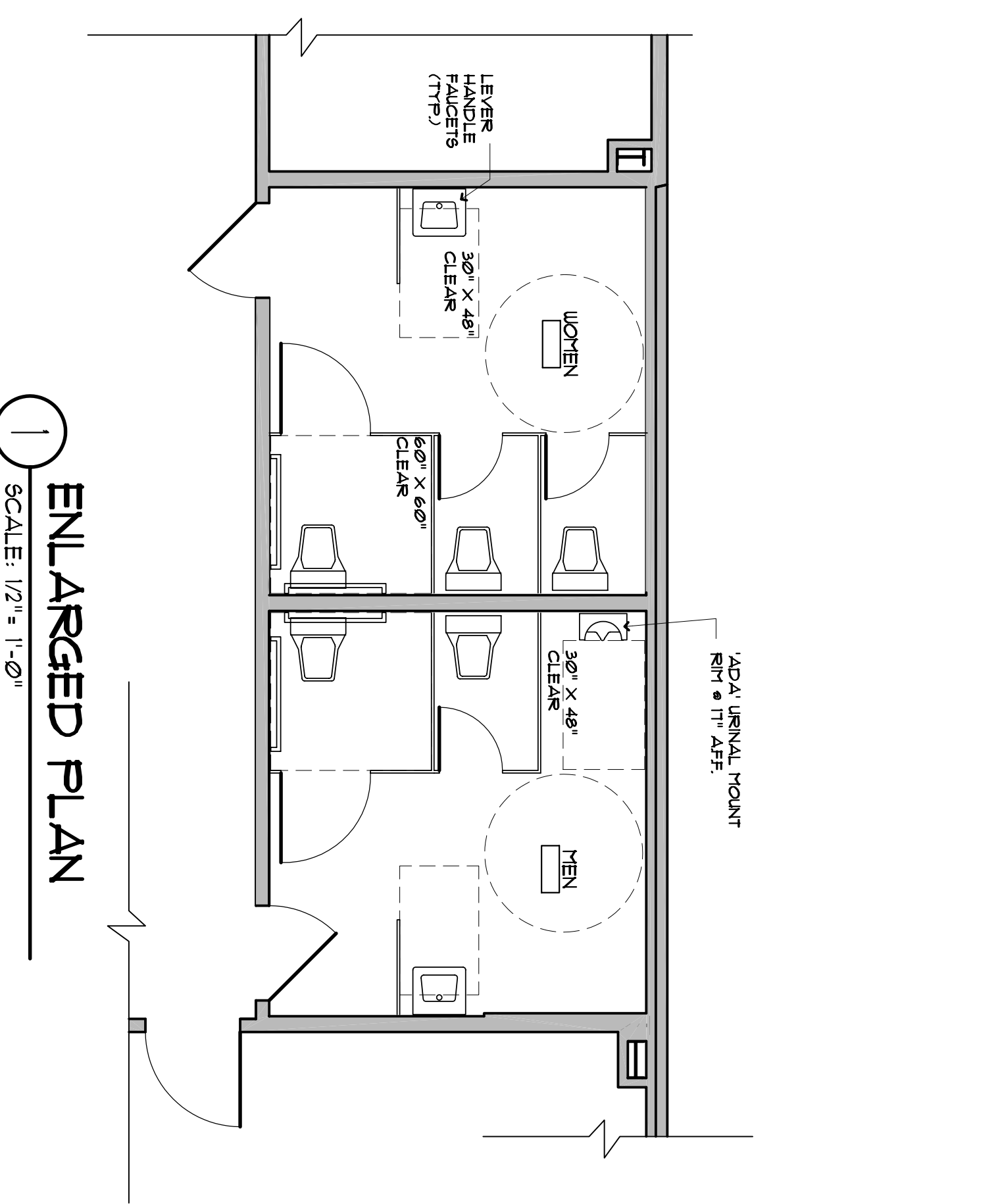
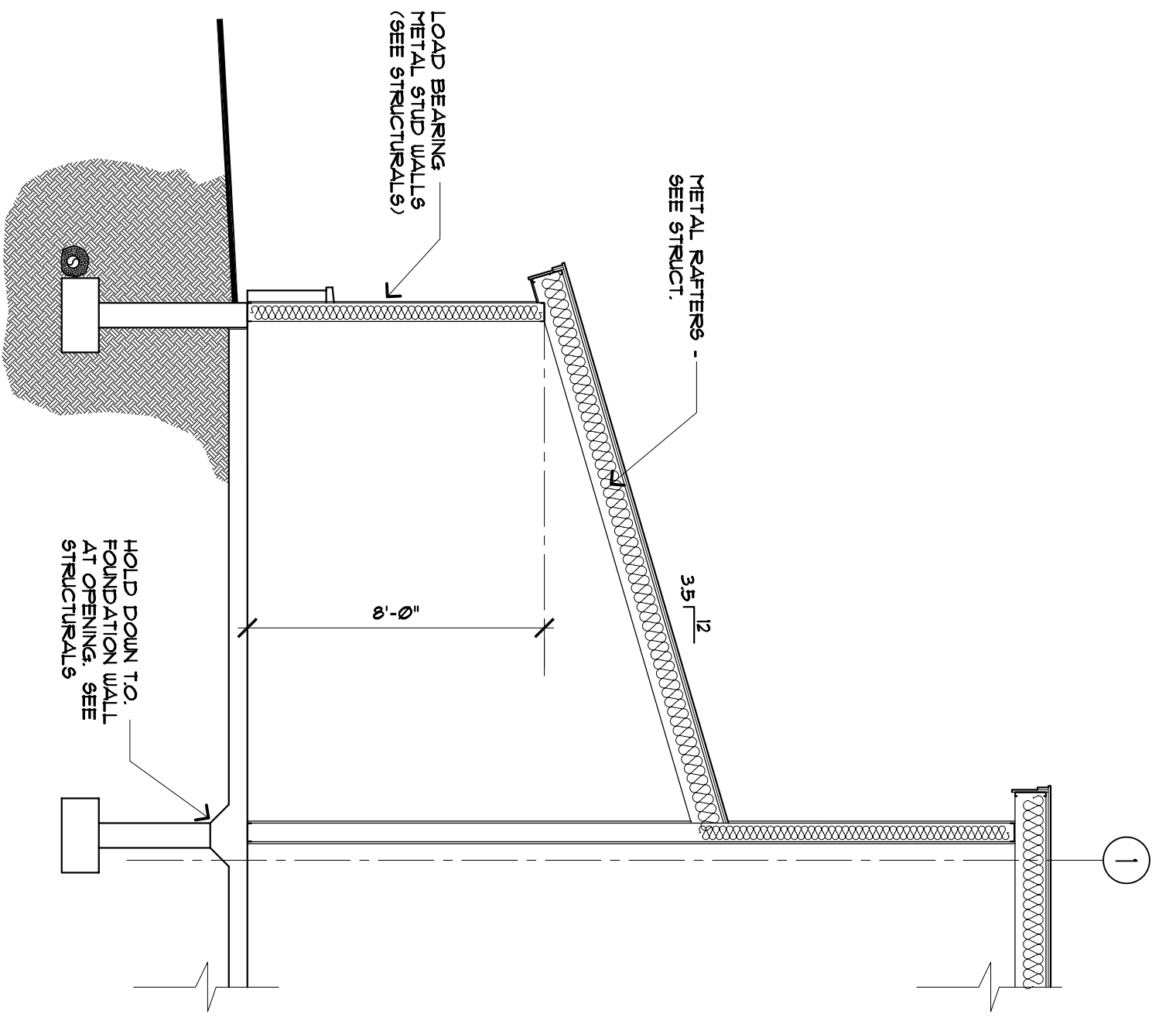
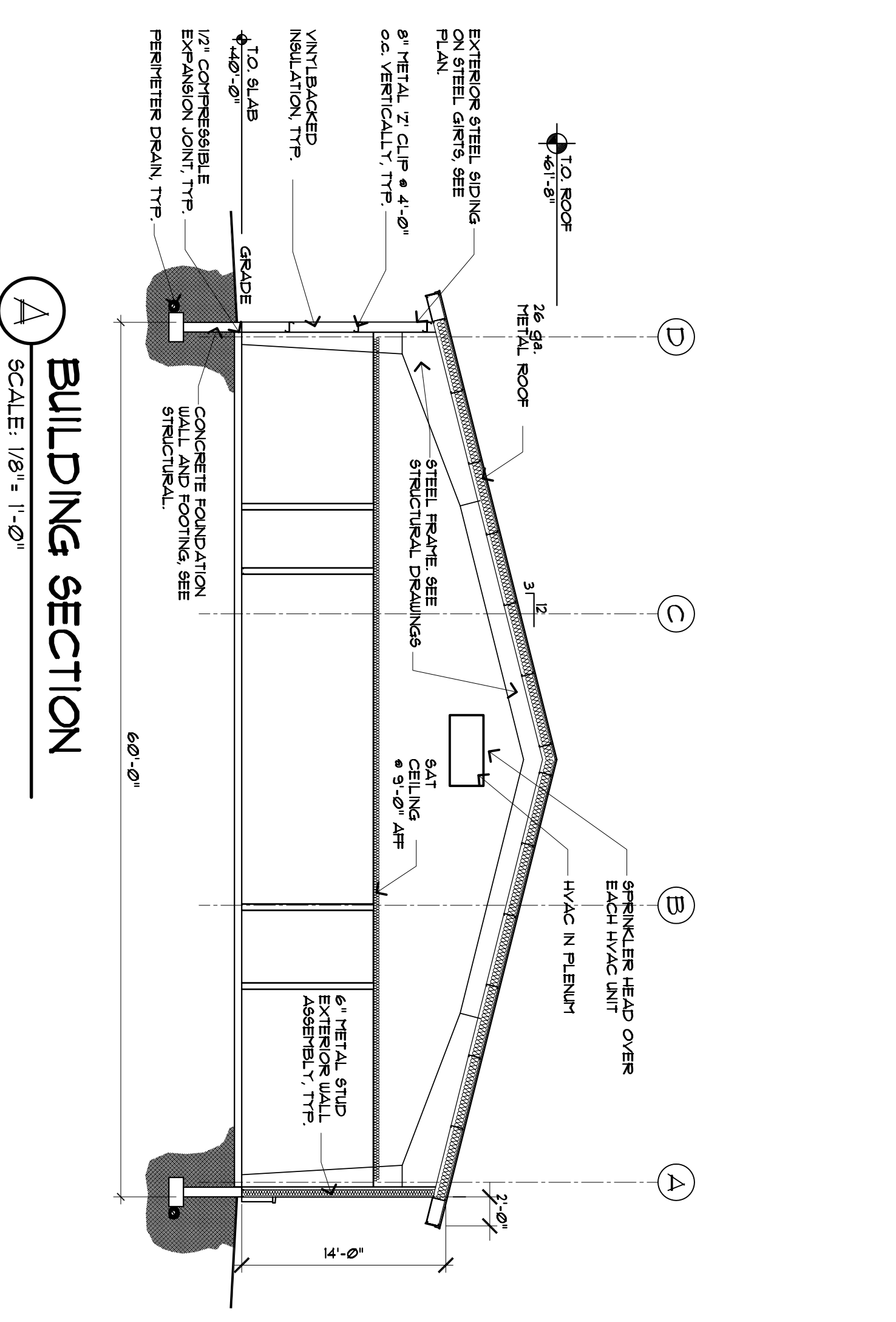
### DOOR SCHEDULE ABBREVIATIONS

EX	EXTERIOR	NI	INSULATED	HN	HOLLOW	NO	NUMBER	TK	THICKNESS
FR	FRAME	ND	NON-DETERMINED	HT	HOLLOW	SC	SCHEDULE	TP	TEMPERED
IC	INSULATED CORE	MS	MASONRY	HT	HOLLOW	SC	SCHEDULE	TP	TEMPERED
HT	HOLLOW METAL	NC	MINERAL CORE	HT	HOLLOW	SC	SCHEDULE	TP	TEMPERED
		HT	HOLLOW METAL	HT	HOLLOW	SC	SCHEDULE	TP	TEMPERED

### DOOR SCHEDULE

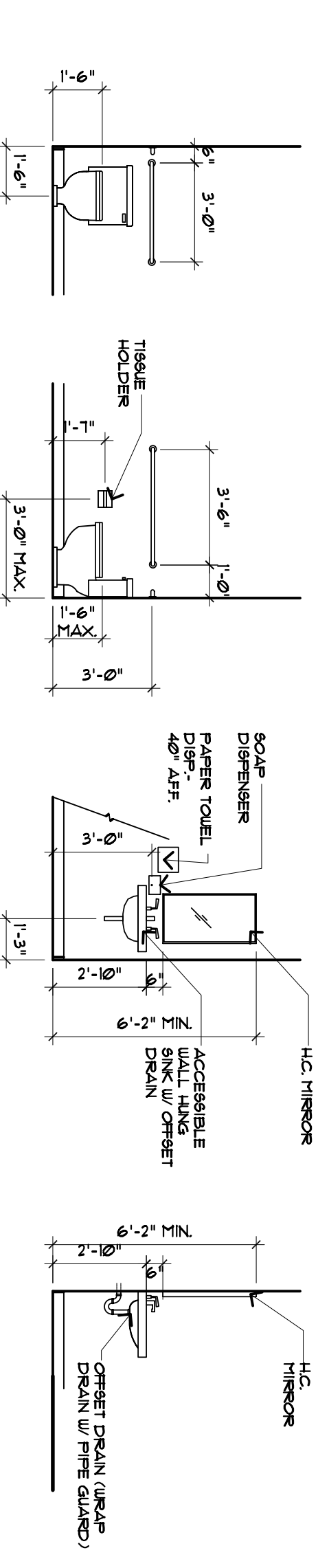
NO.	TYPE	SIZE	TK	FR	MAT.	FRAMES		THRESHOLD		REMARKS
						TYPE	MAT.	FR	DETAILS	
1ST FLOOR										
001	C	3'-0" X 6'-8"	1 3/4"	-	MTL/GLASS	HT	-	-	-	EXIT DEVICE/CLOSER
002	C	3'-0" X 6'-8"	1 3/4"	-	MTL/GLASS	HT	-	-	-	EXIT DEVICE/CLOSER
003	A	3'-0" X 6'-8"	1 3/4"	-	WOOD	HT	-	-	-	EXIT DEVICE/CLOSER
004	A	3'-0" X 6'-8"	1 3/4"	-	WOOD	HT	-	-	-	EXIT DEVICE/CLOSER
005	A	3'-0" X 6'-8"	1 3/4"	-	WOOD	HT	-	-	-	EXIT DEVICE/CLOSER
006	A	3'-0" X 6'-8"	1 3/4"	-	WOOD	HT	-	-	-	EXIT DEVICE/CLOSER
007	A	3'-0" X 6'-8"	1 3/4"	-	WOOD	HT	-	-	-	EXIT DEVICE/CLOSER
008	A	3'-0" X 6'-8"	1 3/4"	-	WOOD	HT	-	-	-	EXIT DEVICE/CLOSER
009	A	3'-0" X 6'-8"	1 3/4"	-	WOOD	HT	-	-	-	EXIT DEVICE/CLOSER
010	A	3'-0" X 6'-8"	1 3/4"	-	WOOD	HT	-	-	-	EXIT DEVICE/CLOSER
011	D	3'-0" X 6'-8"	1 3/4"	-	WOOD	HT	-	-	-	CLOSER
012	A	3'-0" X 6'-8"	1 3/4"	-	WOOD	HT	-	-	-	CLOSER
013	A	3'-0" X 6'-8"	1 3/4"	-	WOOD	HT	-	-	-	CLOSER
014	A	3'-0" X 6'-8"	1 3/4"	-	WOOD	HT	-	-	-	CLOSER
015	A	3'-0" X 6'-8"	1 3/4"	-	WOOD	HT	-	-	-	CLOSER
016	F	(PAIRS)-0'7x6'-8"	1 3/4"	-	WOOD	HT	-	-	-	CLOSER
017	A	3'-0" X 6'-8"	1 3/4"	-	WOOD	HT	-	-	-	CLOSER
018	A	3'-0" X 6'-8"	1 3/4"	-	WOOD	HT	-	-	-	CLOSER
019	G	3'-0" X 6'-8"	1 3/4"	-	WOOD	HT	-	-	-	CLOSER
020	A	3'-0" X 6'-8"	1 3/4"	-	WOOD	HT	-	-	-	CLOSER
021	E	3'-0" X 6'-8"	1 3/4"	-	WOOD	HT	-	-	-	CLOSER
022	A	3'-0" X 6'-8"	1 3/4"	-	WOOD	HT	-	-	-	CLOSER
023	A	3'-0" X 6'-8"	1 3/4"	-	WOOD	HT	-	-	-	CLOSER
024	F	(PAIRS)-0'7x6'-8"	1 3/4"	-	WOOD	HT	-	-	-	CLOSER
025	A	3'-0" X 6'-8"	1 3/4"	-	WOOD	HT	-	-	-	CLOSER
026	F	(PAIRS)-0'7x6'-8"	1 3/4"	-	WOOD	HT	-	-	-	CLOSER
027	A	3'-0" X 6'-8"	1 3/4"	-	WOOD	HT	-	-	-	CLOSER
028	A	3'-0" X 6'-8"	1 3/4"	-	WOOD	HT	-	-	-	CLOSER
029	G	3'-0" X 6'-8"	1 3/4"	-	WOOD	HT	-	-	-	CLOSER
030	B	3'-0" X 6'-8"	1 3/4"	-	METAL	HT	-	-	-	EXIT DEVICE/CLOSER
031	OH	1'-0" X 10'-0"	-	-	-	-	-	-	-	METAL INSULATED

NOTE:  
 1. ALL DOOR HARDWARE TO BE LEVER HANDLE AND MEET REQUIREMENTS OF ADA.  
 2. DOOR HARDWARE: SCHLAGE 6' LINE CHROME.  
 3. ALL CLOSERS TO MEET REQUIREMENTS OF THE ADA.

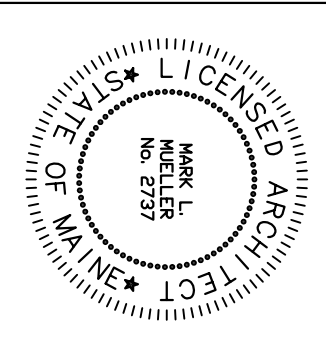


**SECTION OF ENTRY STRUCTURE**  
 SCALE: 1/4" = 1'-0"

**ENLARGED PLAN**  
 SCALE: 1/2" = 1'-0"



**H.C. BATHROOM ELEVATIONS**  
 SCALE: 1/4" = 1'-0"



**M A R K MUELLER ARCHITECTS A.I.A.**  
 100 Commercial Street  
 Suite 205  
 Portland, Maine 04101  
 Phone 607.774.9377  
 Fax 607.773.8851  
 Email: mark@mmua.com  
 Web: www.muellerarchitects.com

PROJECT:  
**McALISTER FARM**  
 LOT #6 McALISTER FARM RD.  
 PORTLAND, MAINE

ACCESSIBLE BATH DETAILS/  
 BUILDING SECTION/WINDOW + DOOR SCHEDULES