

**SUBSURFACE WASTEWATER DISPOSAL SYSTEM APPLICATION**

Maine Dept. of Health & Human Services  
 Division of Environmental Health, 11 SHS  
 (207) 287-5672 Fax: (207) 287-4172

Town, City, Plantation  
**PORTLAND**

Street, Road, Subdivision  
**739 WARREN AVE**

Owner or Applicant Name  
**DOWNEAST VETERINARY EMERGENCY CLINIC**

**SUBSURFACE WASTEWATER DISPOSAL PLAN**

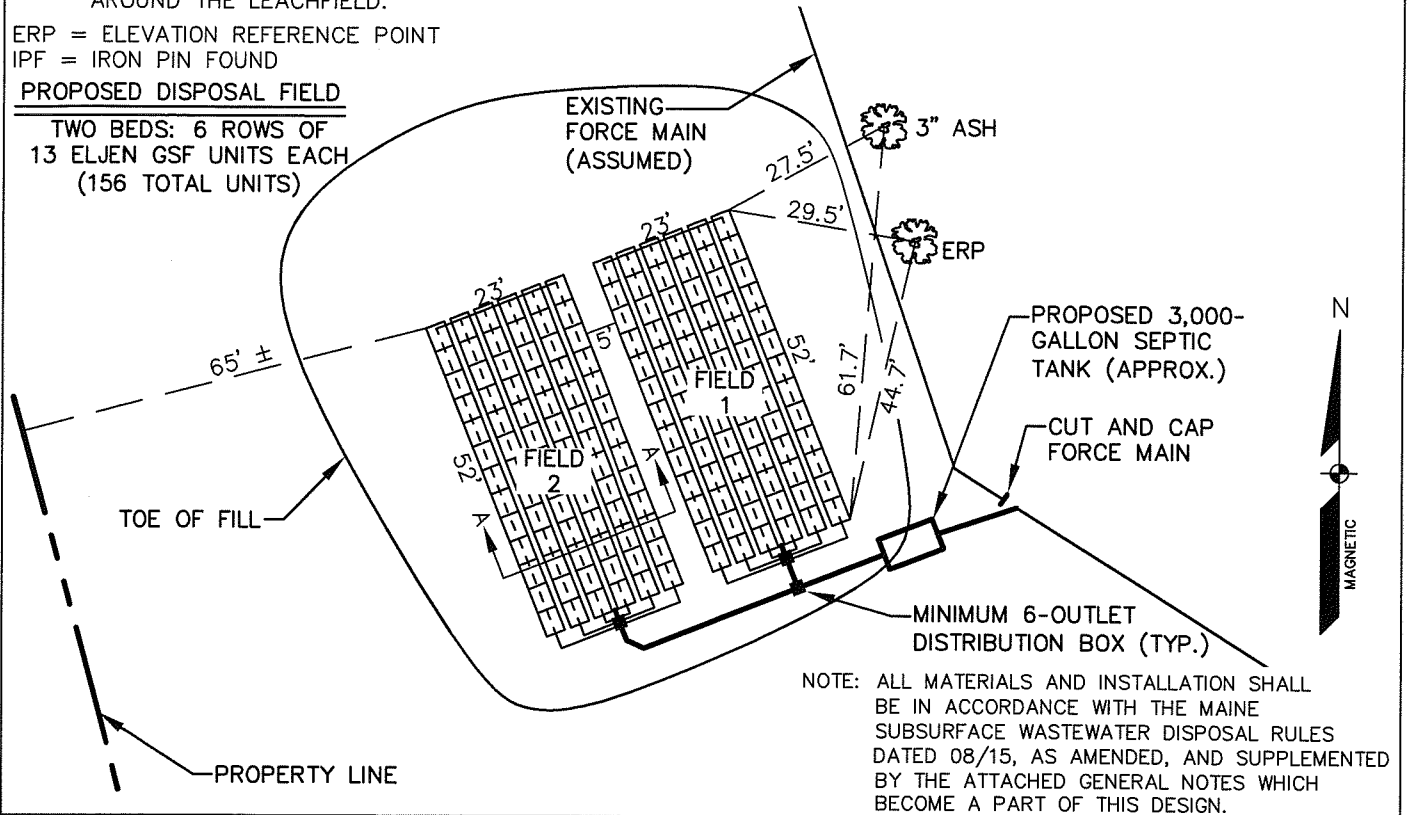
Scale 1" = 30 FT.

NOTE: ALLOW FOR POSITIVE DRAINAGE  
 AROUND THE LEACHFIELD.

ERP = ELEVATION REFERENCE POINT  
 IPF = IRON PIN FOUND

**PROPOSED DISPOSAL FIELD**

**TWO BEDS: 6 ROWS OF  
 13 ELJEN GSF UNITS EACH  
 (156 TOTAL UNITS)**



NOTE: ALL MATERIALS AND INSTALLATION SHALL  
 BE IN ACCORDANCE WITH THE MAINE  
 SUBSURFACE WASTEWATER DISPOSAL RULES  
 DATED 08/15, AS AMENDED, AND SUPPLEMENTED  
 BY THE ATTACHED GENERAL NOTES WHICH  
 BECOME A PART OF THIS DESIGN.

**BACKFILL REQUIREMENTS**

Depth of Fill (Upslope)	<u>17"±</u>
Depth of Fill (Downslope)	<u>52"±</u>

**CONSTRUCTION ELEVATIONS**

Finished Grade Elevation	<u>SEE</u>
Top of Distribution Pipe or Proprietary Device	<u>TABLE</u>
Bottom of Disposal Area (Bottom of Eljen)	<u>BELOW</u>

**ELEVATION REFERENCE POINT**

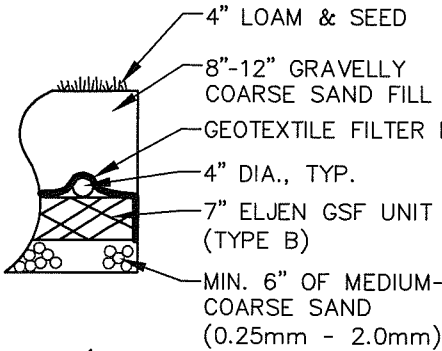
Location & Description **NAIL UP 46"**  
 IN A 9" DIAM. BLACK CHERRY  
 Reference Elevation **0"**

**DISPOSAL FIELD CROSS SECTION**

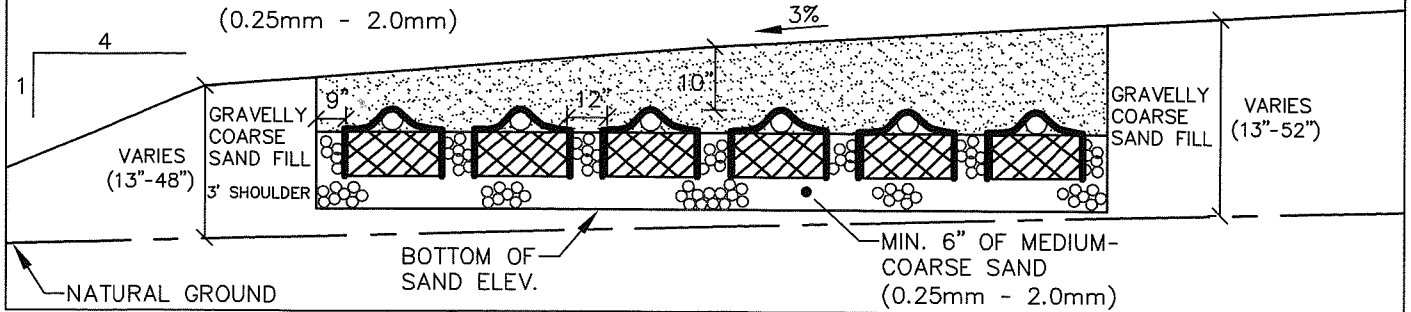
**CROSS SECTION A-A**

12" SEPARATION USED IN DESIGN

SCALE:  
 VERTICAL: 1" = 3'  
 HORIZONTAL: 1" = 5'



CONSTRUCTION ELEVATIONS	FIELD 1	FIELD 2
FINISH GRADE ELEVATION	-8"	-22"
TOP OF DISTRIBUTION PIPE	-18"	-32"
BOTTOM OF ELJEN	-29"	-43"



*[Signature]*  
 Site Evaluator Signature

355  
 SE #

9-18-17  
 Date

Page 3 of 3  
 HHE-200 Rev. 02/11