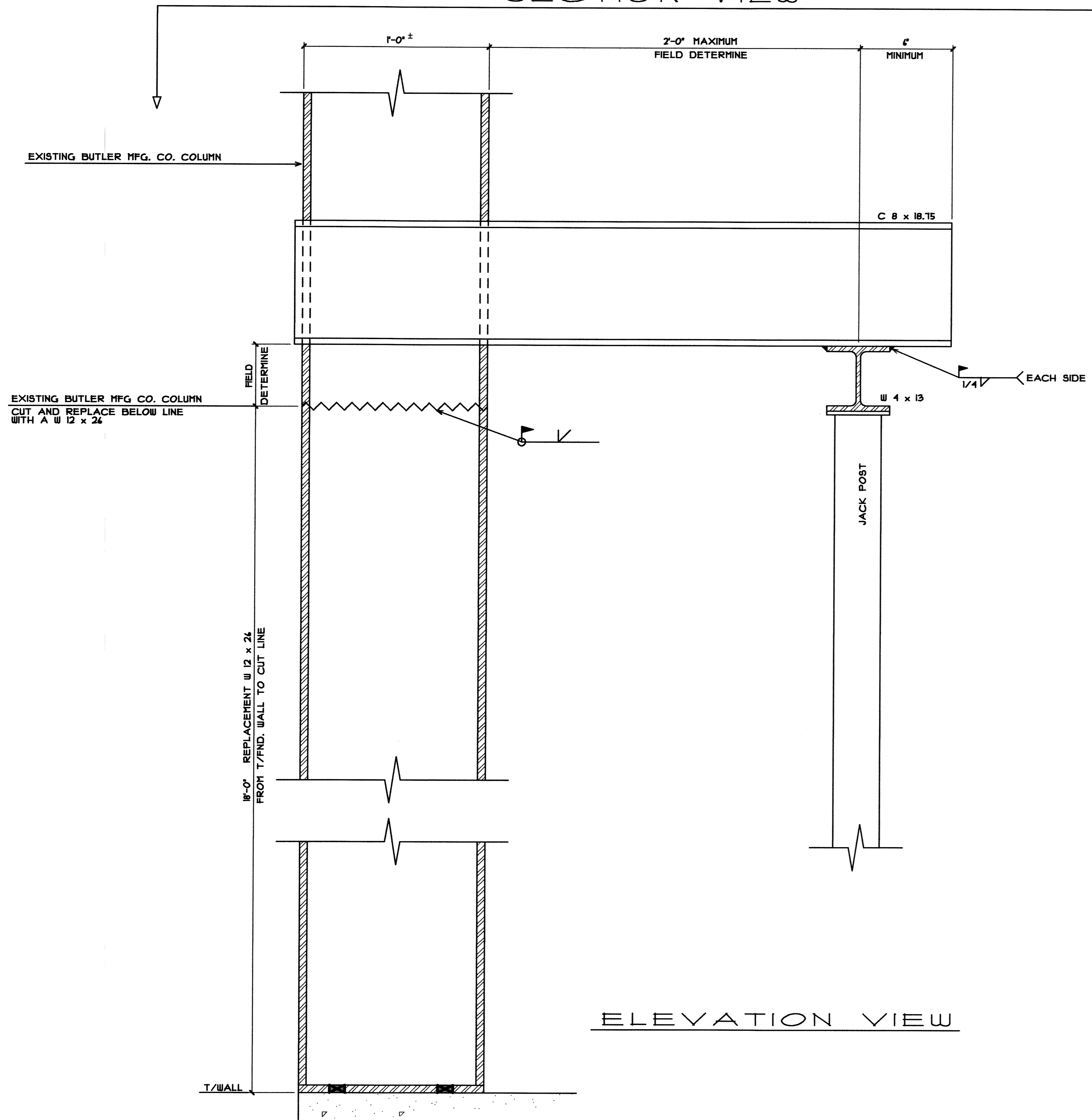
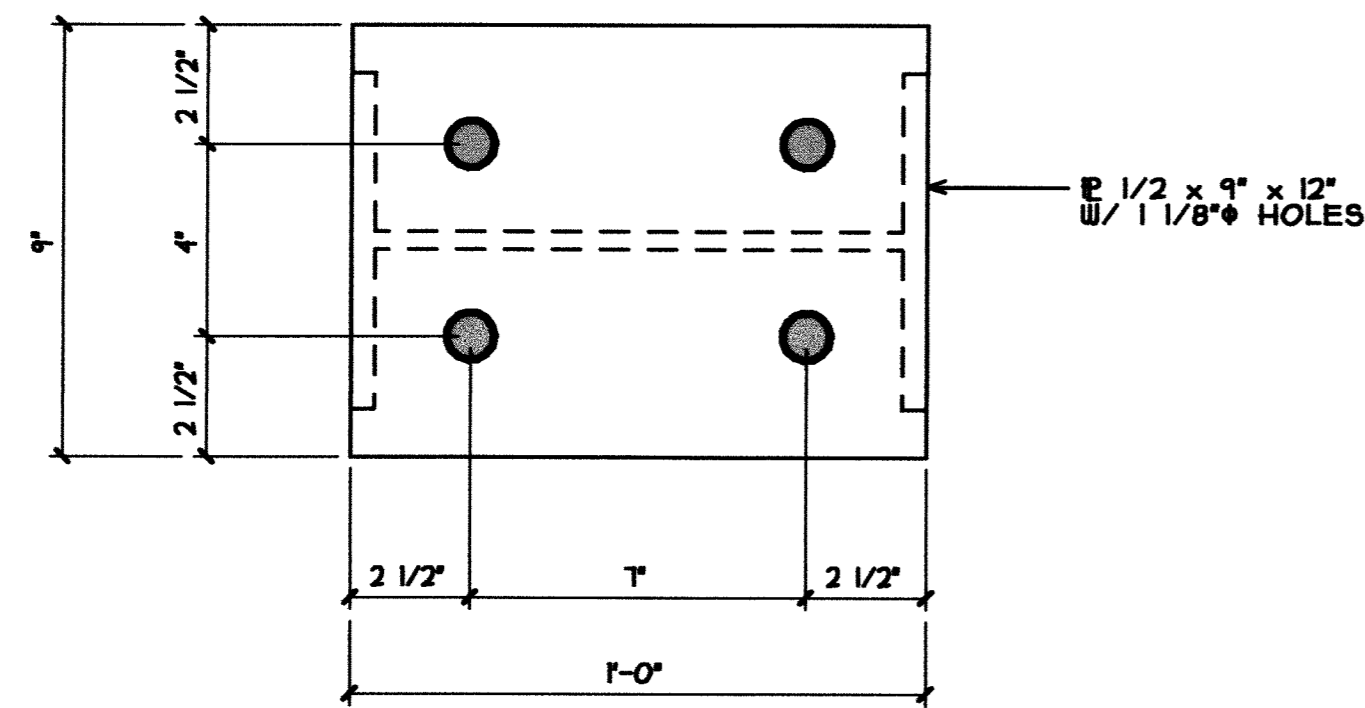


SECTION VIEW

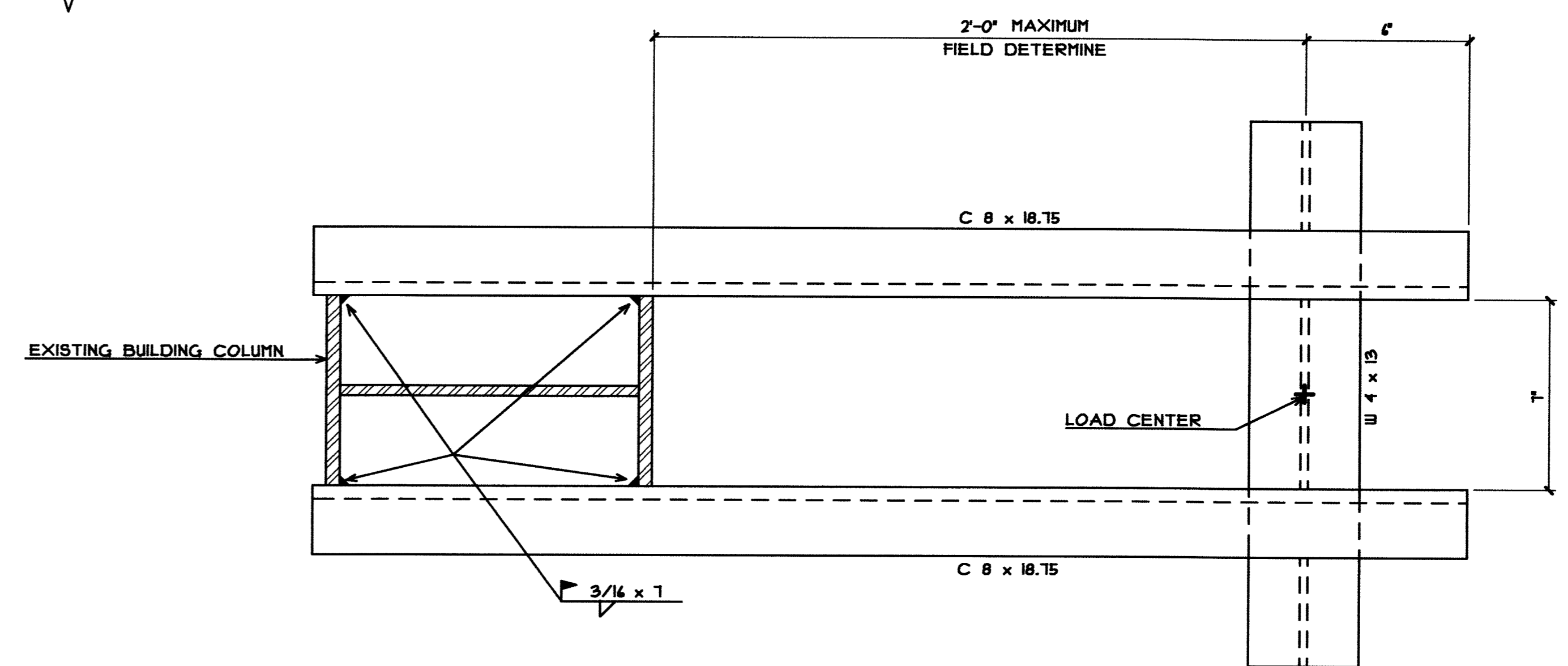


ELEVATION VIEW



**NOTE:**  
REFERENCE DRAWING A1 OF JOB 8133 FOR  
LOCATION OF DAMAGED ENDWALL COLUMN.

SECTION VIEW



DATE		REVISION	EST. NO.	Engineering Designs For	JOB NO.
			SIZE	<b>L.L. BEAN WAREHOUSE</b>	
			TYPE	<b>PORTLAND, MAINE</b>	ENGINEERING
			DRAWN BY <b>RS</b>	<b>ENDWALL COLUMN REPAIR</b>	DWG. NO.
			APPROVED BY <b>DCS</b>		<b>STI</b>
			SCALE <b>3" = 1'-0"</b>		OF
			DATE <b>2009.04.01</b>		
FILE NAME:	G.T.V. NAME:		DESIGN BUILDER		

**DANA C. SHERIDAN**  
PROFESSIONAL ENGINEER

**Sheridan**  
FAIRFIELD PORTLAND MAINE