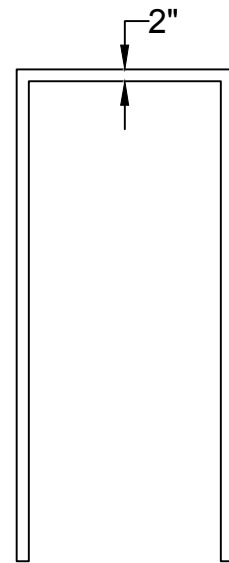
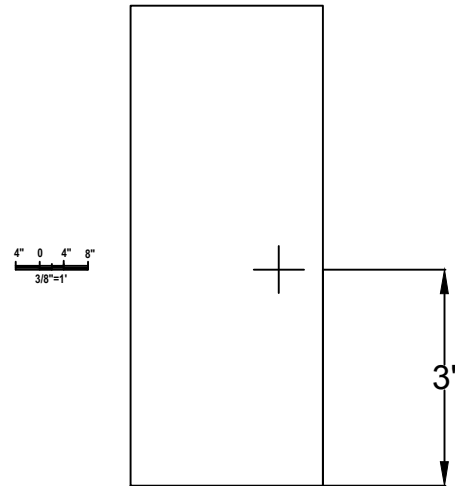
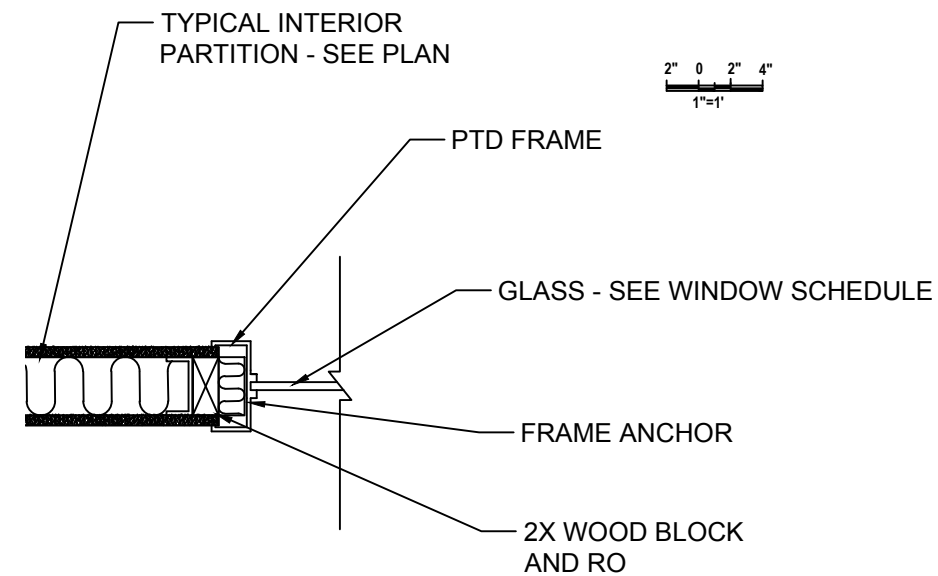
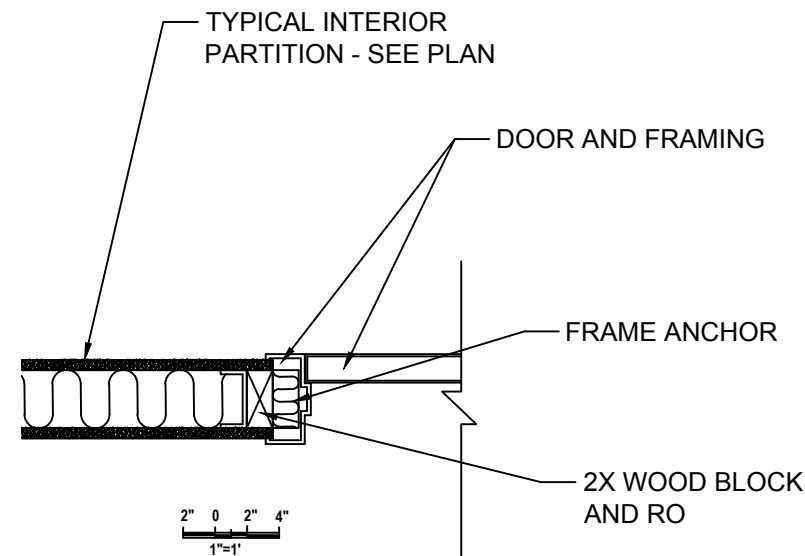
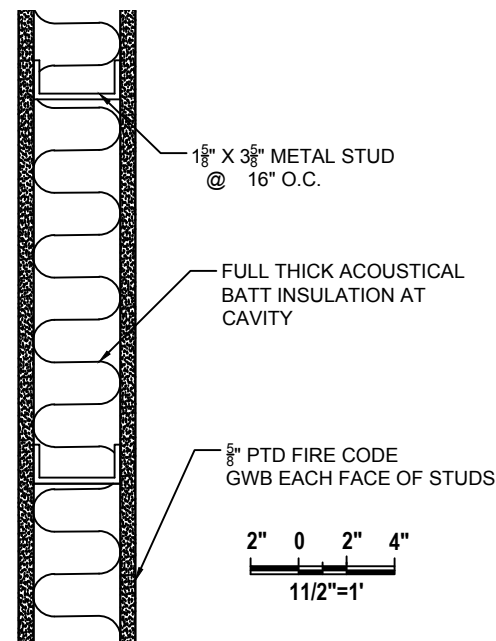
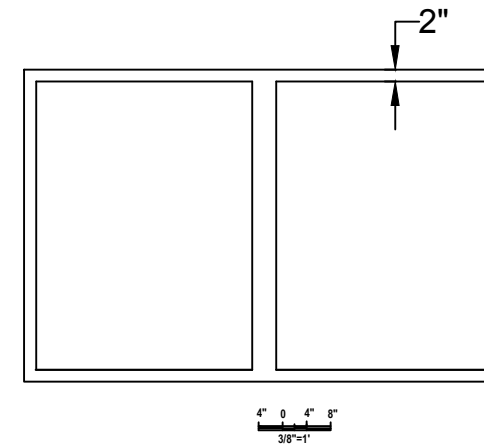


WINDOW & DOOR SCHEDULE									
NO	TYPE	MATERIAL	MODEL	WIDTH	HEIGHT	HEAD	JAM	DETAIL	REMARKS
A	FIXED	HOLLOW METAL	DRYWALL FRAME	7'-0"	4'-8"	DETAIL BELOW	DETAIL BELOW	AS SHOWN	INSTALL TO MATCH EXISTING
1	A	3070	WHITE BIRCH	2'-8"	6'-8"	DETAIL BELOW	DETAIL BELOW	AS SHOWN	INSTALL TO MATCH EXISTING 1-3/4" THINNESS

DOOR 1



WINDOW A



General Notes

All Information, Concepts and Designs contained here in, is confidential and proprietary information and is the sole property of Allagash Brewing Co.. This drawing can not be duplicated, disclosed, copied or used for any purpose other than for which it was specifically furnished without the prior written consent of Allagash Brewing Co..

No.	Revision/Issue	Date



Project Name and Address  
 DETAILS  
 WARREN\_OFFICES  
 765 WARREN\_AVE  
 PORTLAND\_ME\_04103

Project	Sheet
OFFICE_ADDITION	03
Date	041816
Scale	AS_NOTED