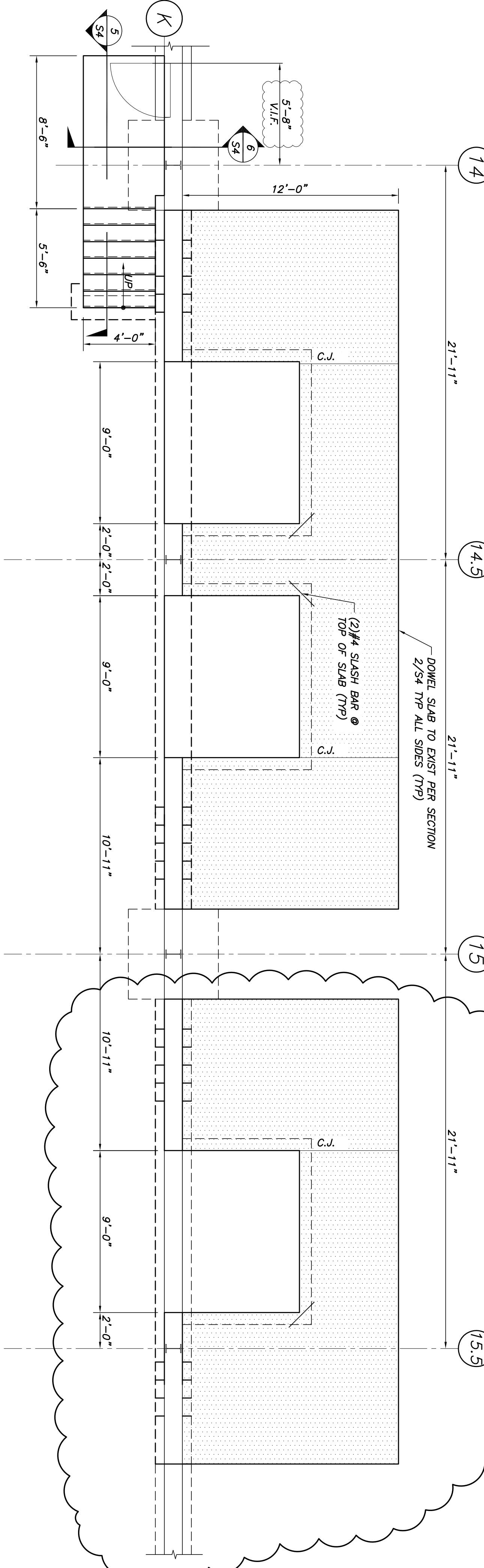
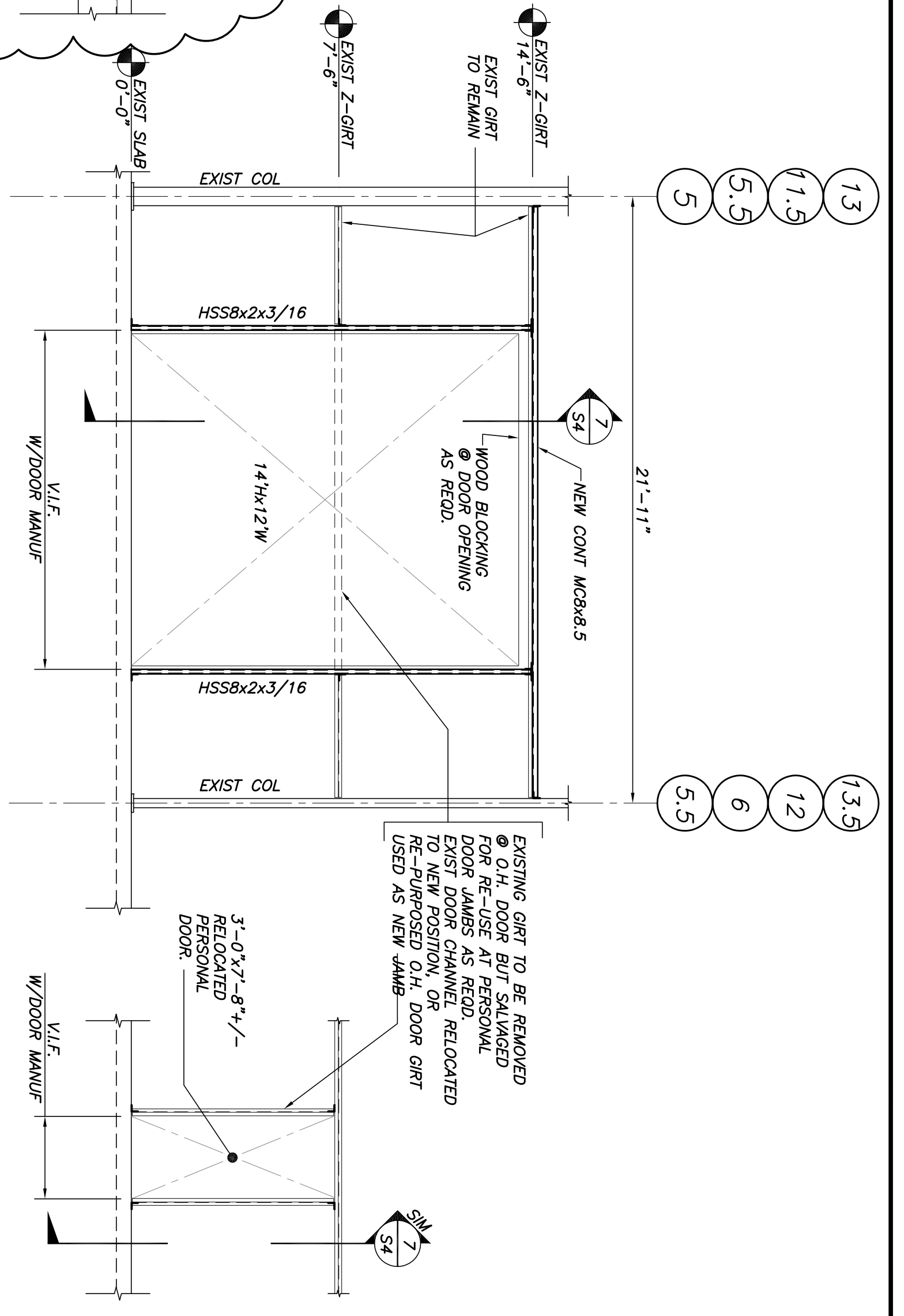


PARTIAL ELEVATION @ NEW LOADING DOCK  
1/4"=1'-0"

- NOTES:
1. (1) INDICATE PLACEMENT SEQUENCE. NEW FOUNDATION WALL SHALL BE EXCAVATED AND CONSTRUCTED IN (2) PHASES SO THAT THE EXISTING GRADE BEAM IS NOT COMPLETELY UNDERMINED. (3) INDICATES FIRST AREA OF EXCAVATION AND UNDERPINNING TO NEW ELEVATION. (4) INDICATES SECOND AREA OF WORK.
  2. CONTRACTOR SHALL RE-ROUT ELECTRICAL CONDUIT AS NECESSARY TO FACILITATE CONSTRUCTION AND MAINTAIN TEMPORARY AND FINAL SERVICE.



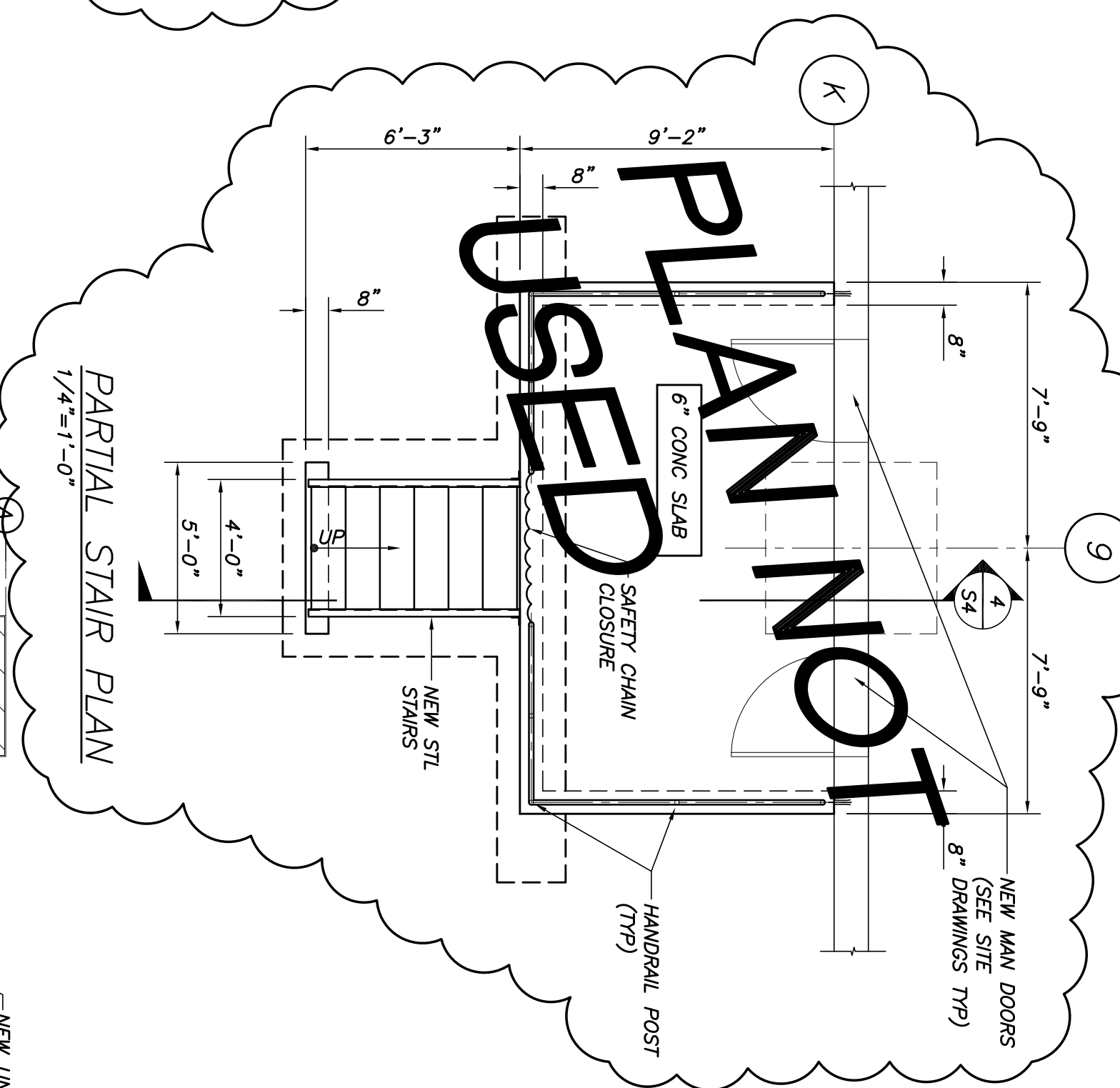
PARTIAL FOUNDATION PLAN @ NEW LOADING DOCK  
1/4"=1'-0"



PARTIAL ELEVATION @ NEW O.H. DOORS  
1/4"=1'-0"

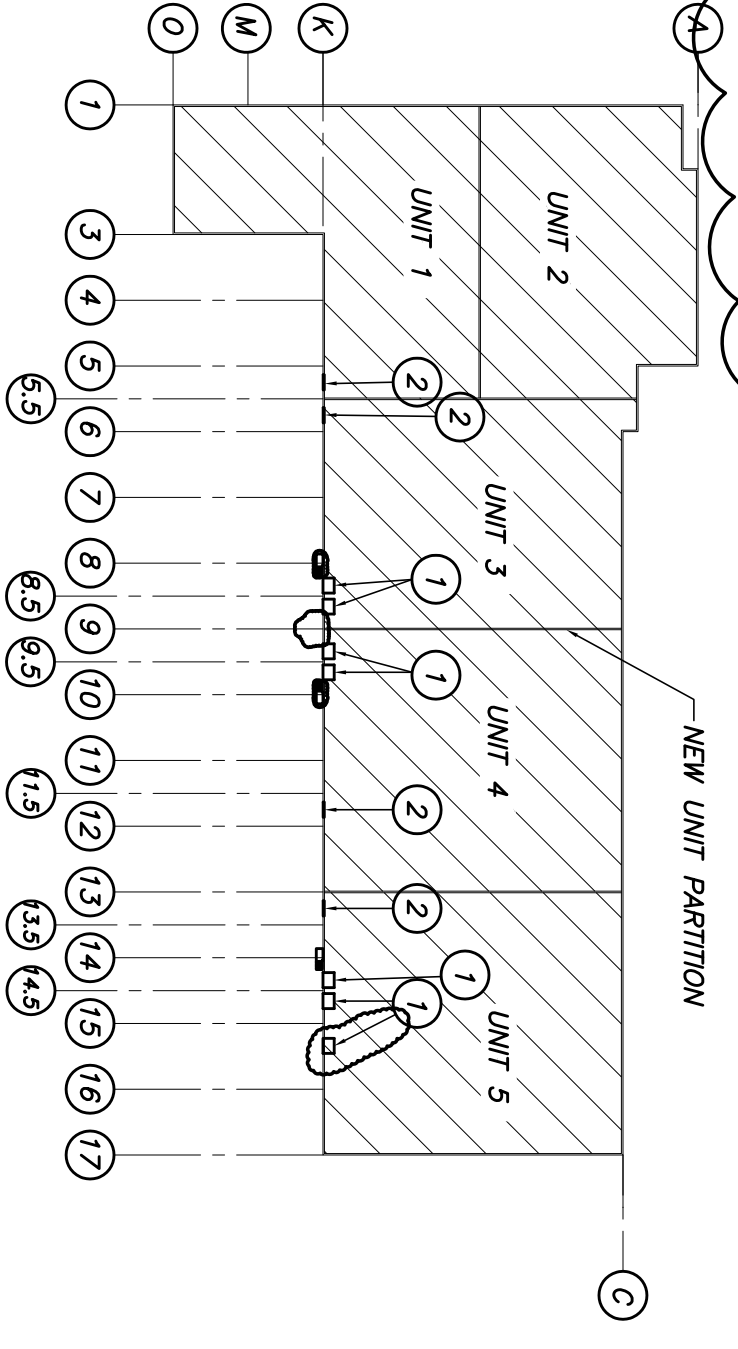
PARTIAL ELEVATION @ PERSONAL DOORS  
1/4"=1'-0"

EXISTING GIRT TO BE REMOVED @ O.H. DOOR BUT SALVAGED FOR RE-USE AT PERSONAL DOOR JAMBS AS REQ'D. EXIST DOOR CHANNELS RELOCATED RE-PURPOSED O.H. DOOR GIRT USED AS NEW JAMB.



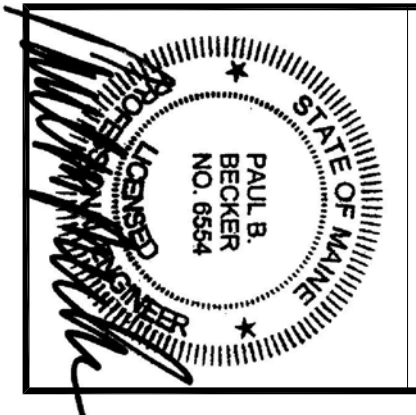
PARTIAL STAIR PLAN  
1/4"=1'-0"

**PLANNED  
USED**



KEY PLAN

- NOTES:
1. NEW LOADING DOCK
  2. NEW OVERHEAD DOOR
  3. WORK THESE DRAWINGS WITH CIVIL DRAWINGS FOR ADDITIONAL WORK NOT SHOWN.



Rev No	Date	Issued For	Appr
11-7-12		ISSUED FOR PERMIT / BIDDING	
12-3-12		ISSUED FOR REVISED DOOR SIZES	
3/8/13		REVISED STAIR LOCS & CONFIG & ADDED ADDL LOADING DOCK	

765 WARREN AVENUE  
LOADING DOCKS  
PORTLAND, MAINE  
PARTIAL FOUNDATION & ELEVATION

Designed	Scale
PBB	AS NOTED
Drawn	Date
RUB	11/7/12
Checked	Becker Job Number
PBB	2808

THIS DRAWING IS AN INSTRUMENT OF SERVICE AND SHALL REMAIN THE PROPERTY OF BECKER STRUCTURAL ENGINEERS. IT IS TO BE USED ONLY FOR THE PROJECT AND SITE SPECIFICALLY IDENTIFIED HEREON. IT IS NOT TO BE REPRODUCED, COPIED, OR TRANSMITTED IN ANY FORM OR BY ANY MEANS, ELECTRONIC OR MECHANICAL, INCLUDING PHOTOCOPYING, RECORDING, OR BY ANY INFORMATION STORAGE AND RETRIEVAL SYSTEM, WITHOUT THE WRITTEN PERMISSION OF BECKER STRUCTURAL ENGINEERS.