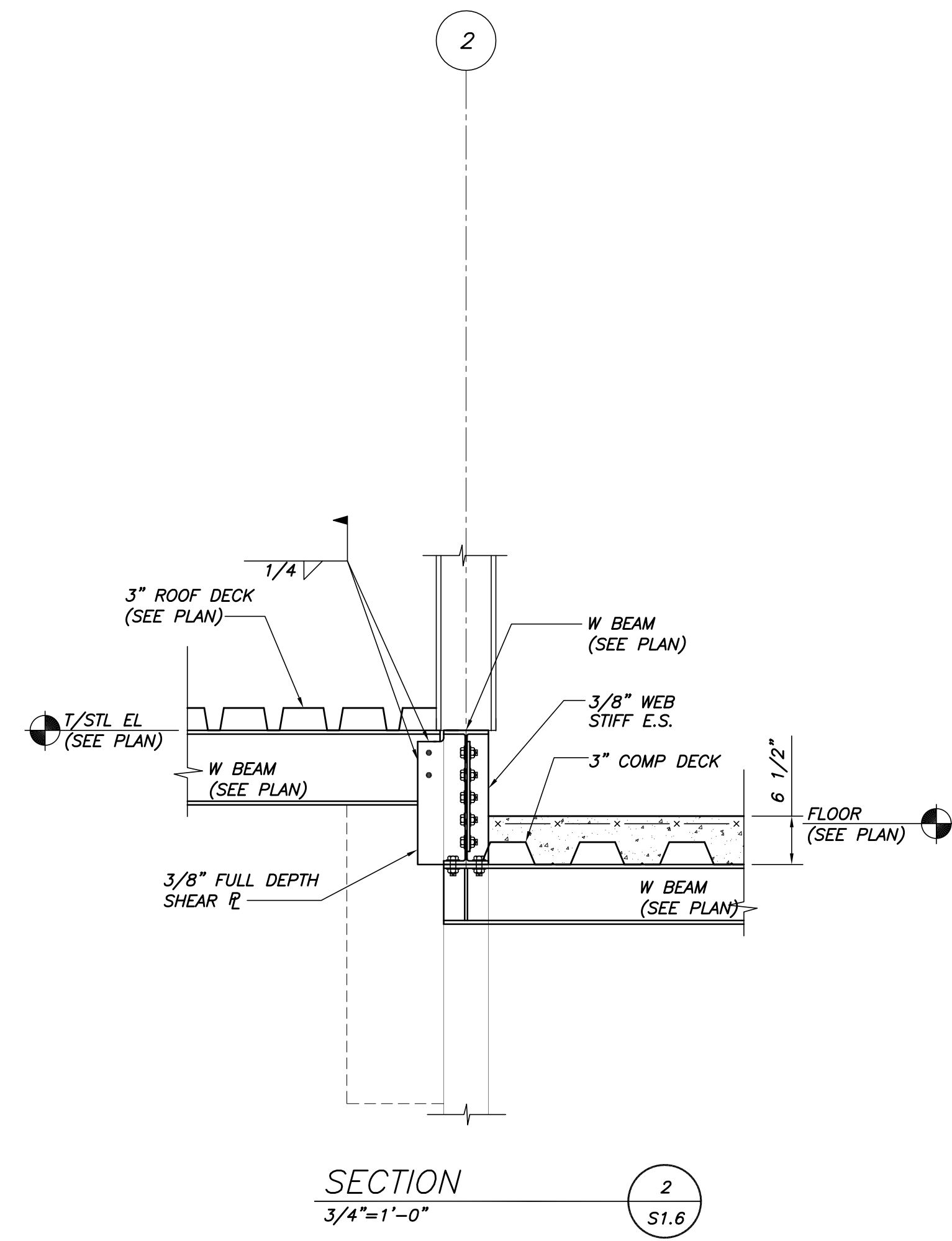
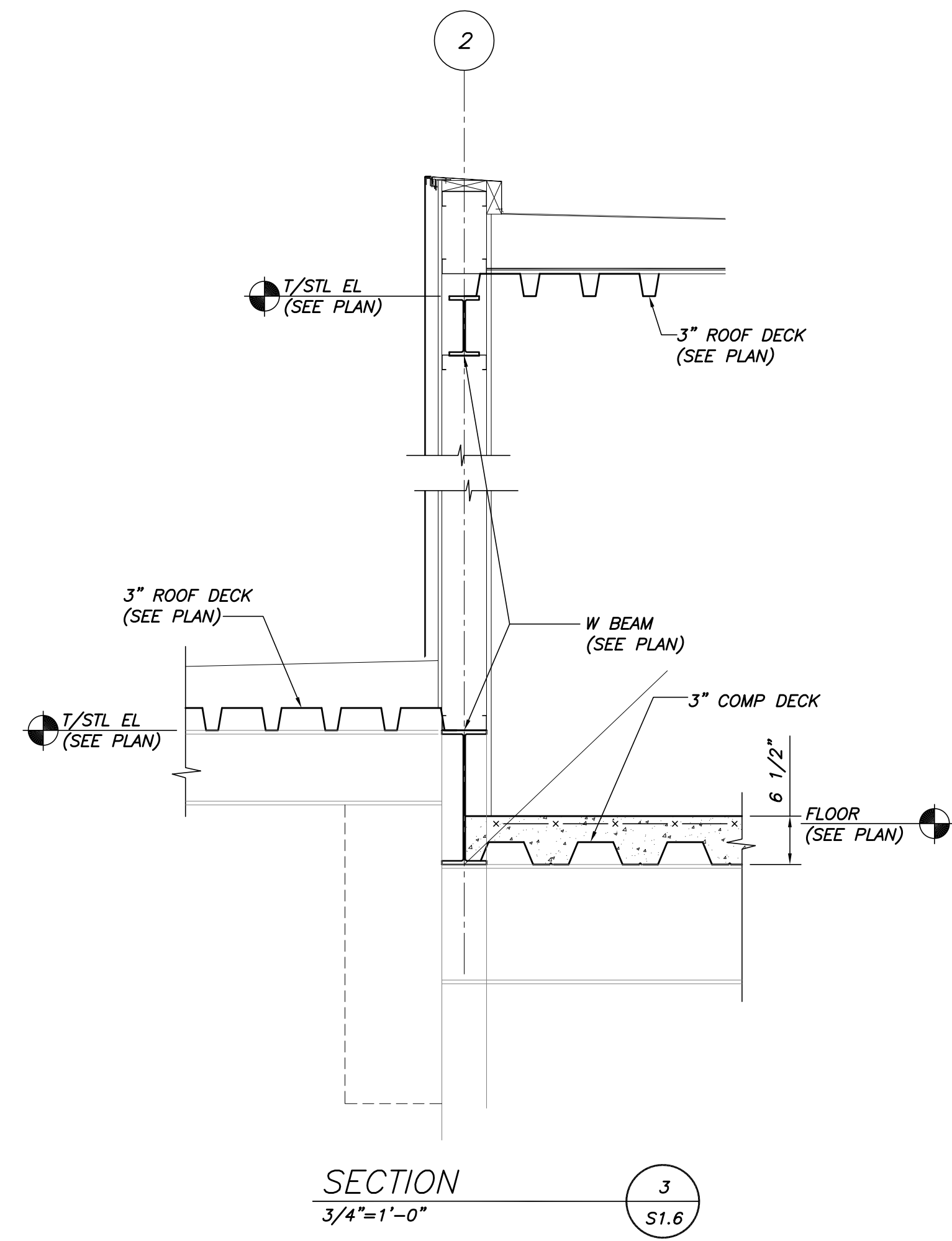


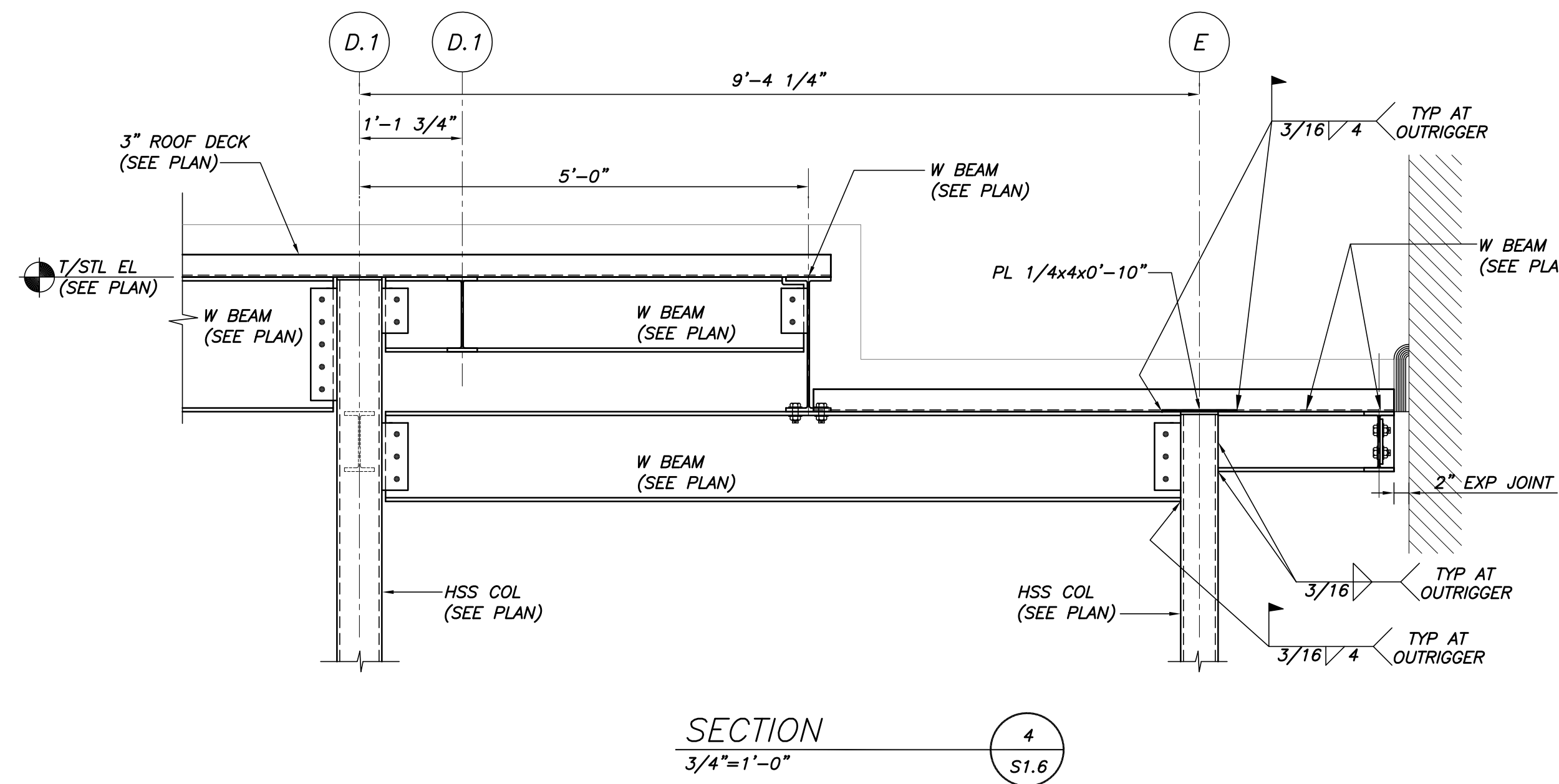
SECTION 1  
3/4"=1'-0"



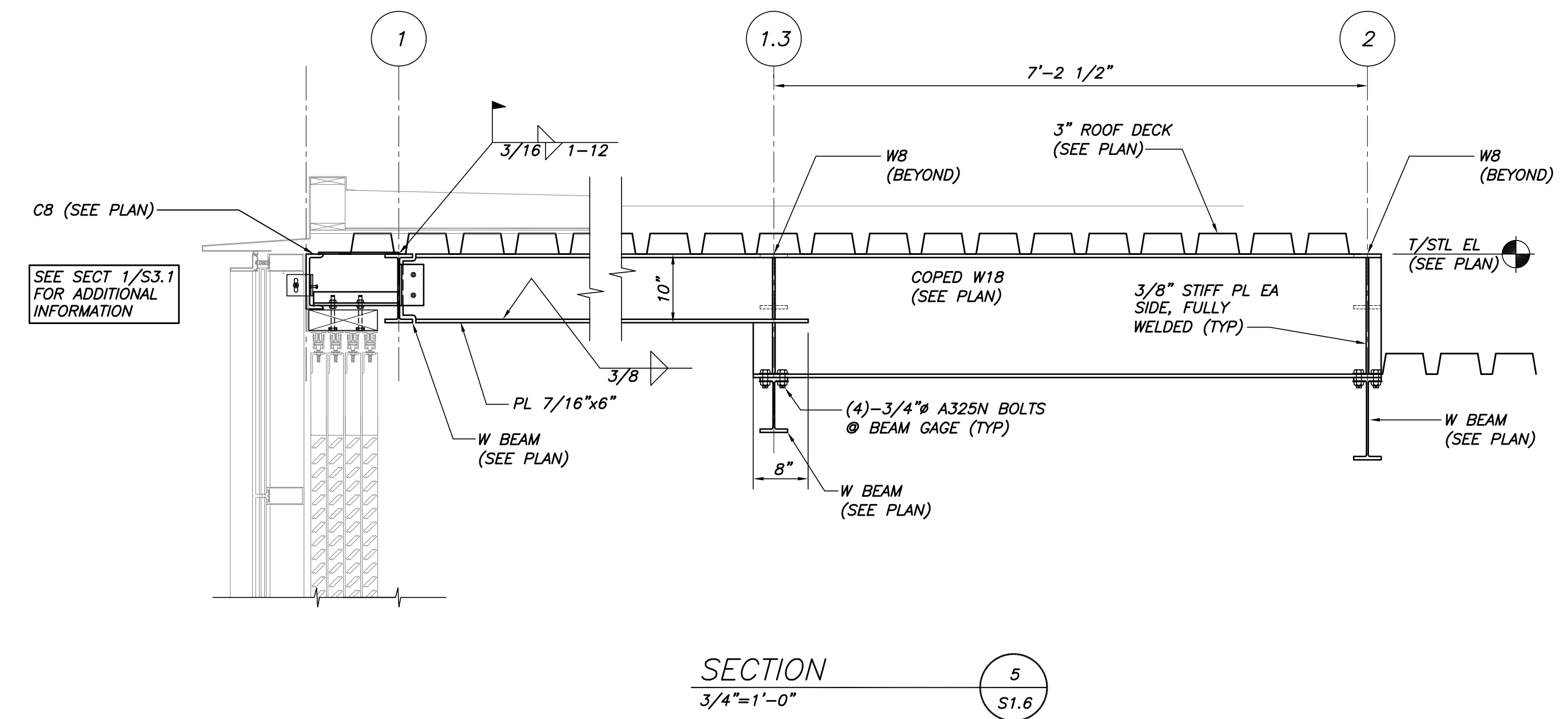
SECTION 2  
3/4"=1'-0"



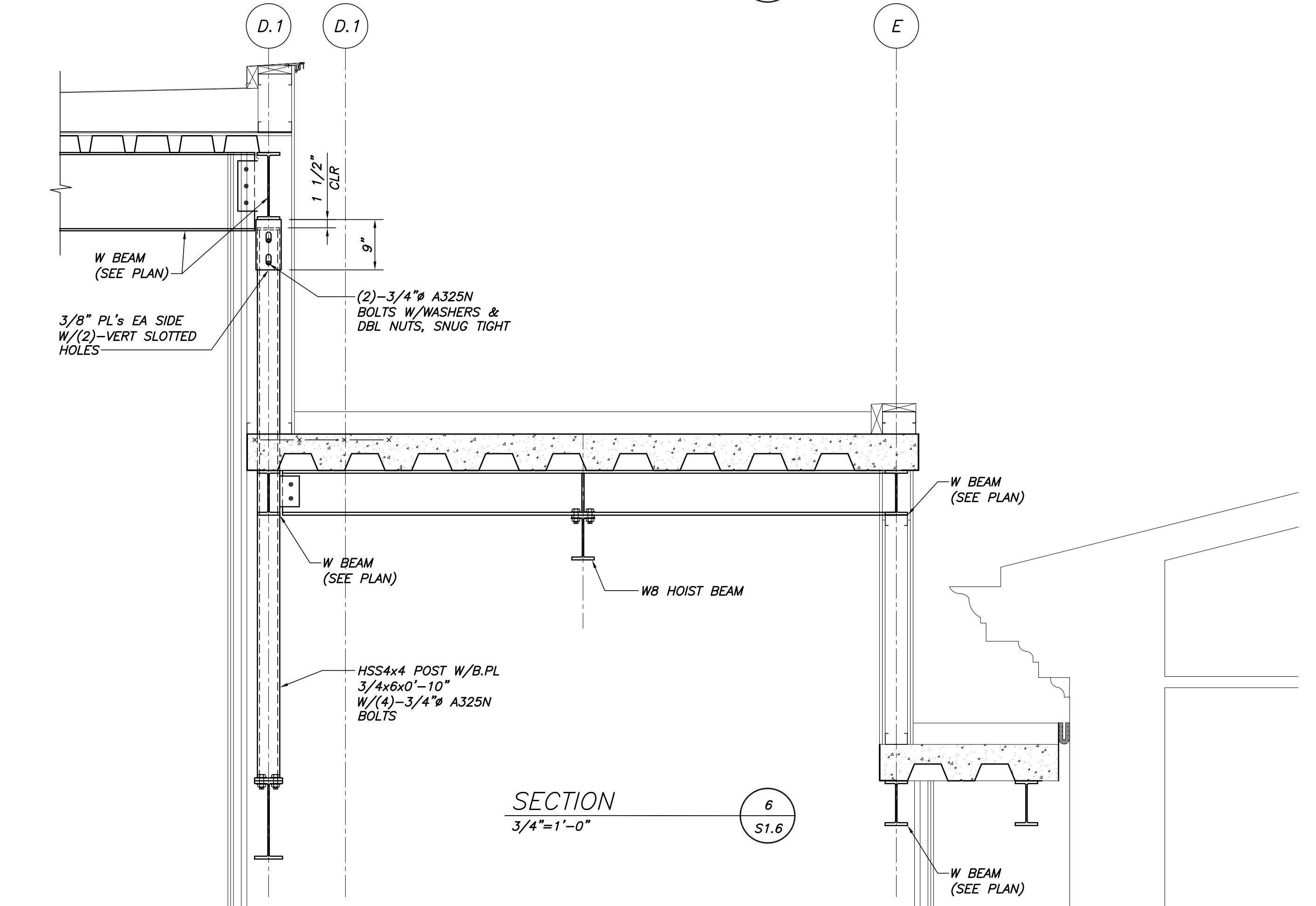
SECTION 3  
3/4"=1'-0"



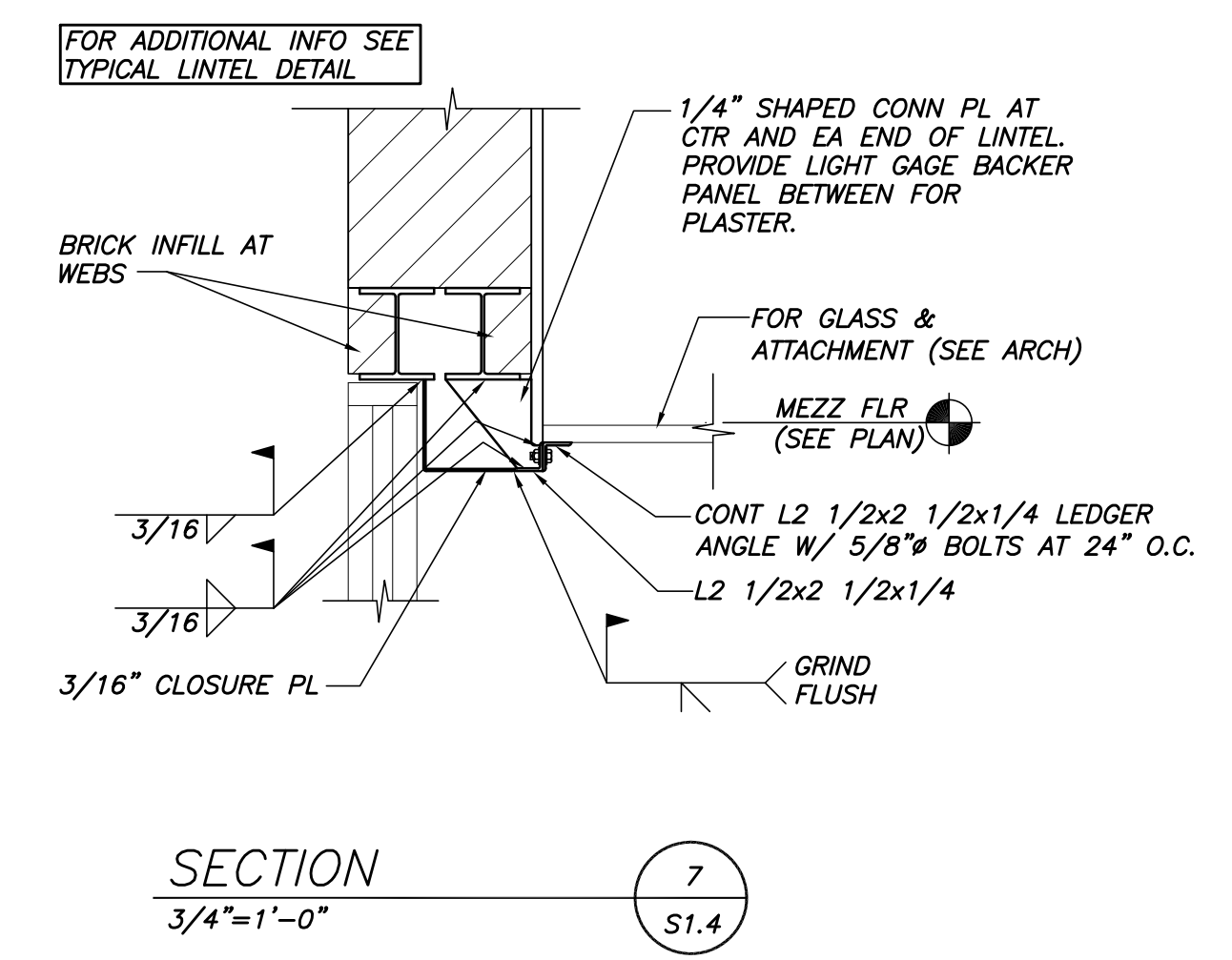
SECTION 4  
3/4"=1'-0"



SECTION 5  
3/4"=1'-0"



SECTION 6  
3/4"=1'-0"



SECTION 7  
3/4"=1'-0"

DATE	REVISIONS	DESCRIPTION
05/01/07	05/01/07	60% CD SET
07/16/07	07/16/07	100% CD SET

DATE	APPROVED BY	DATE	APPROVED BY
SEP 2006	E.A.R.	SEP 2006	E.A.R.
SEP 2006	D.S.B.	SEP 2006	D.S.B.