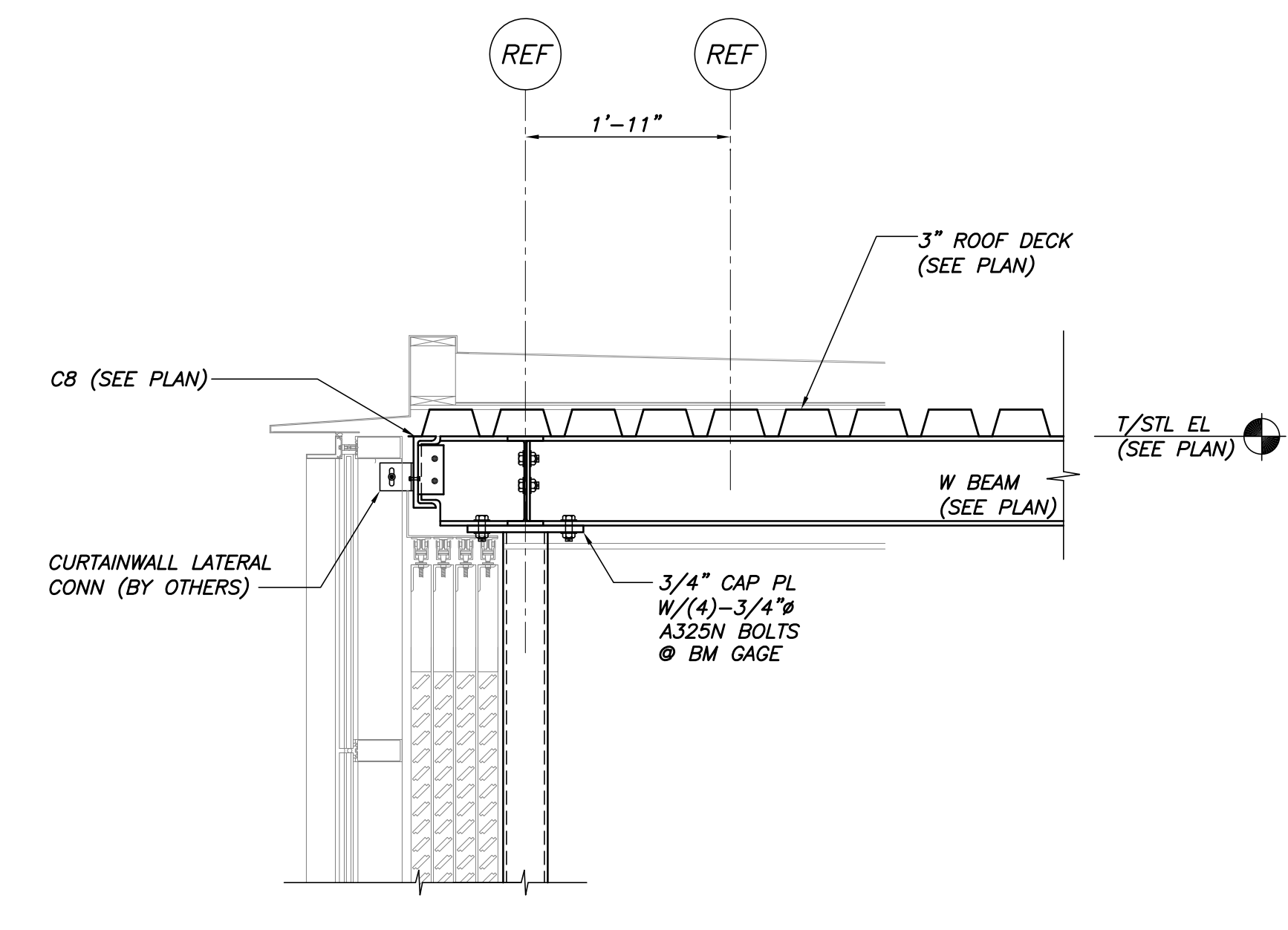
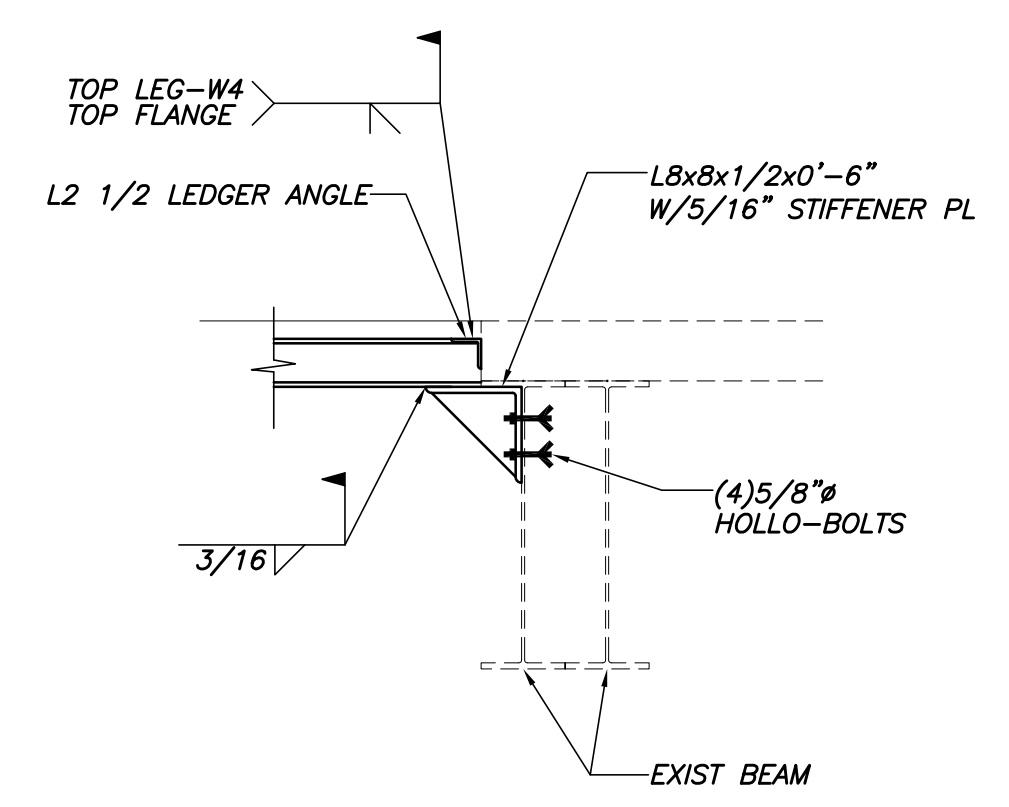


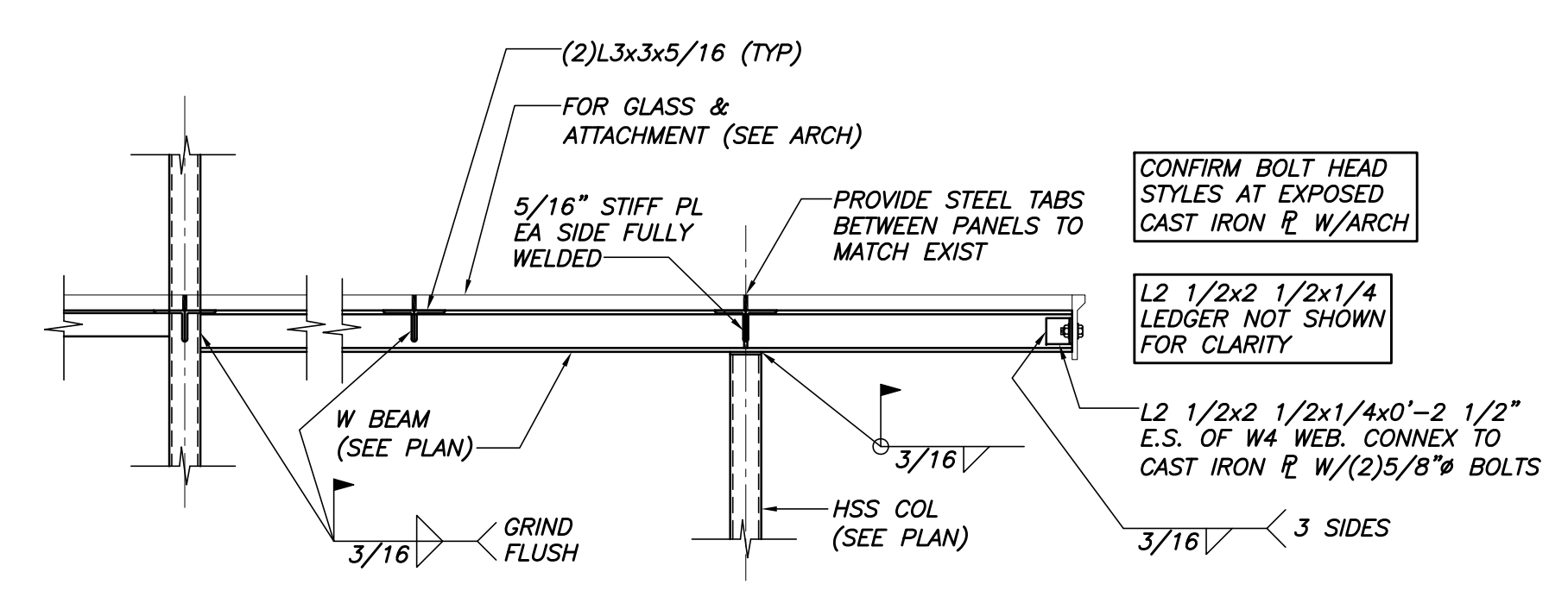
SECTION 1
3/4"=1'-0"



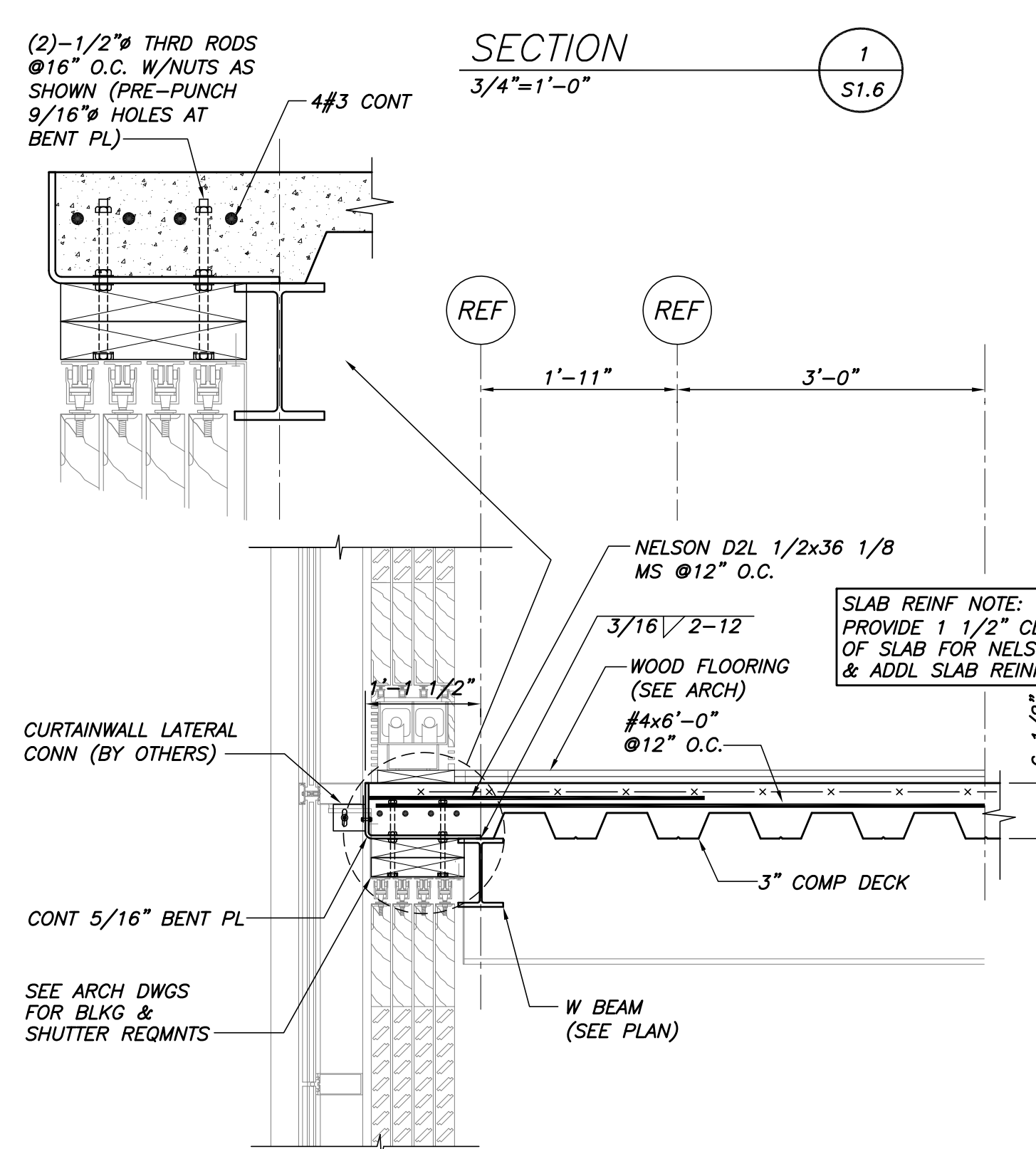
SECTION 2
3/4"=1'-0"



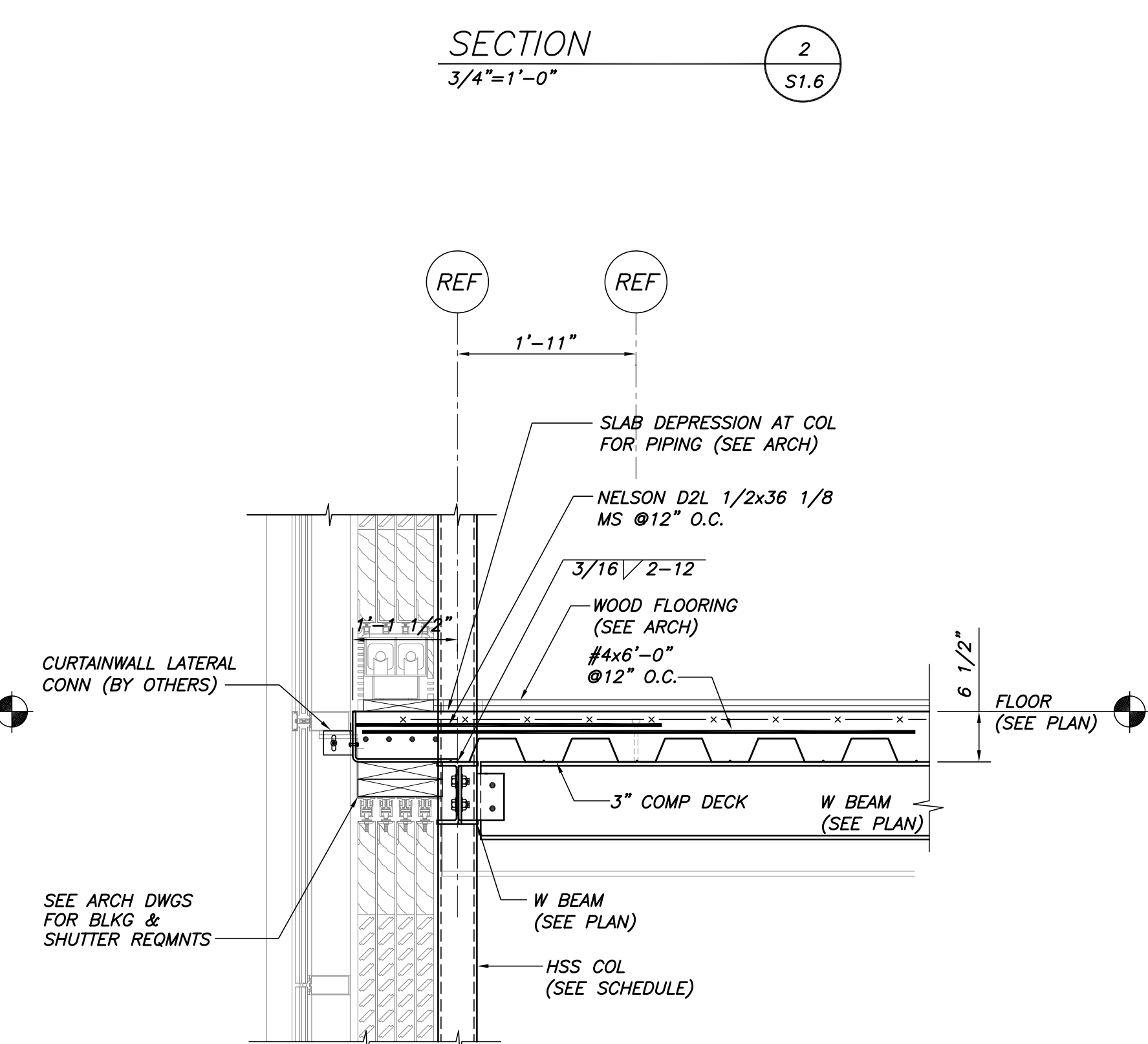
SECTION 3
3/4"=1'-0"



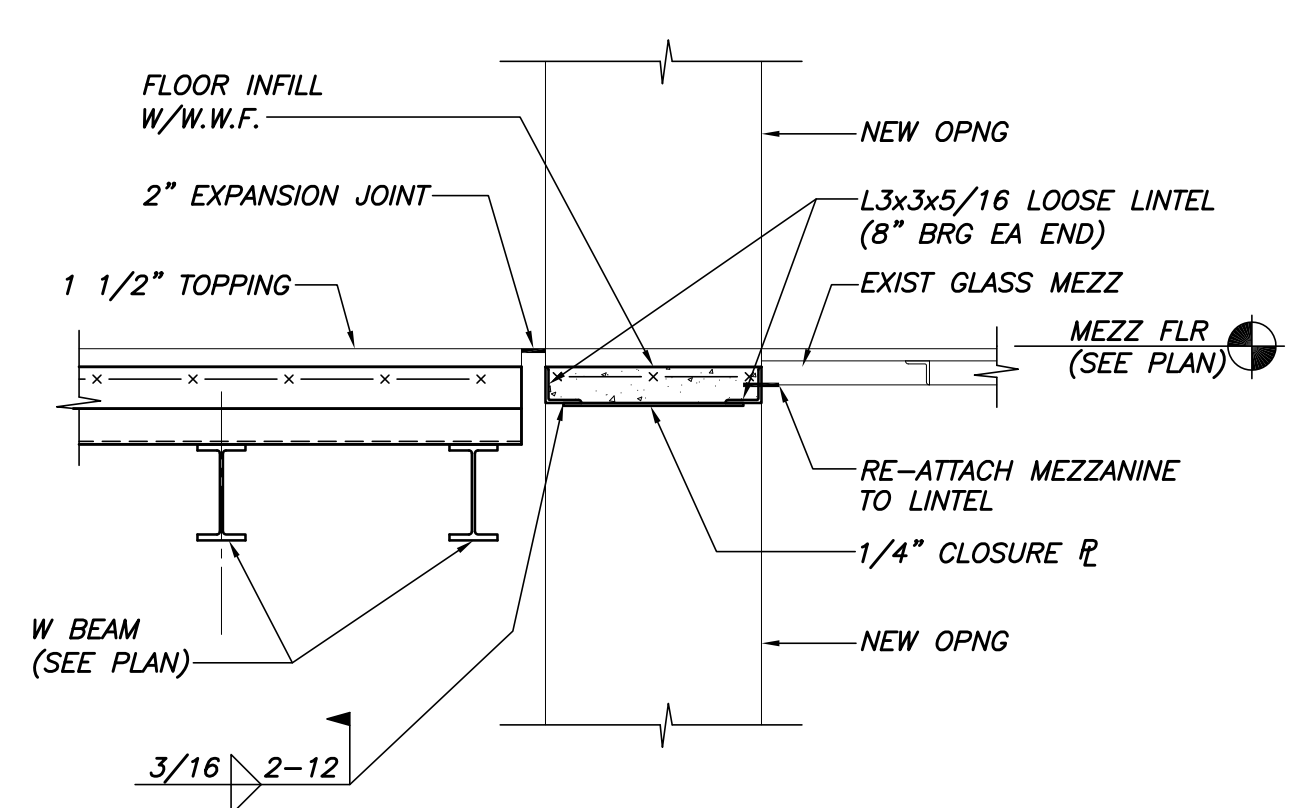
SECTION 4
3/4"=1'-0"



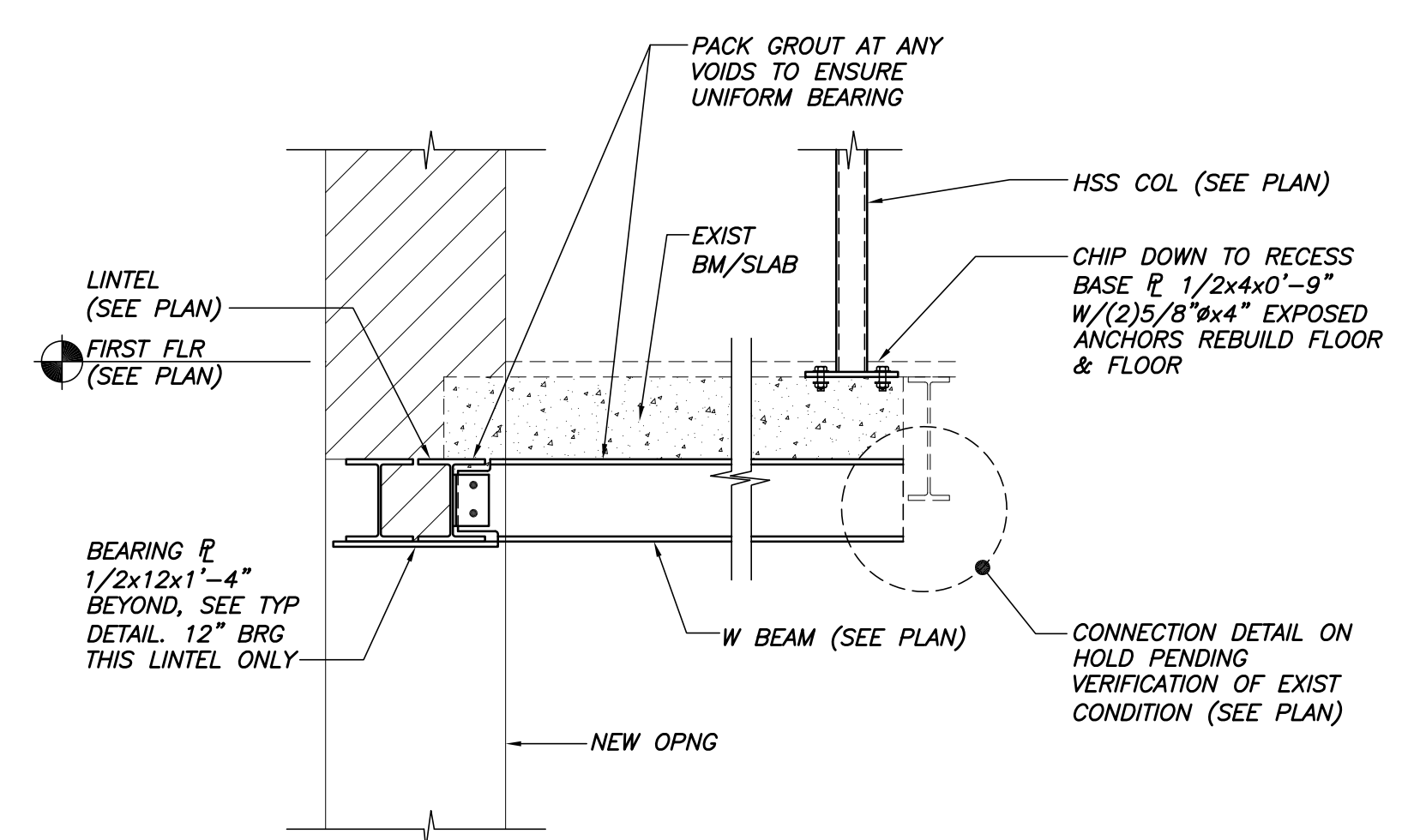
SECTION 5
3/4"=1'-0"



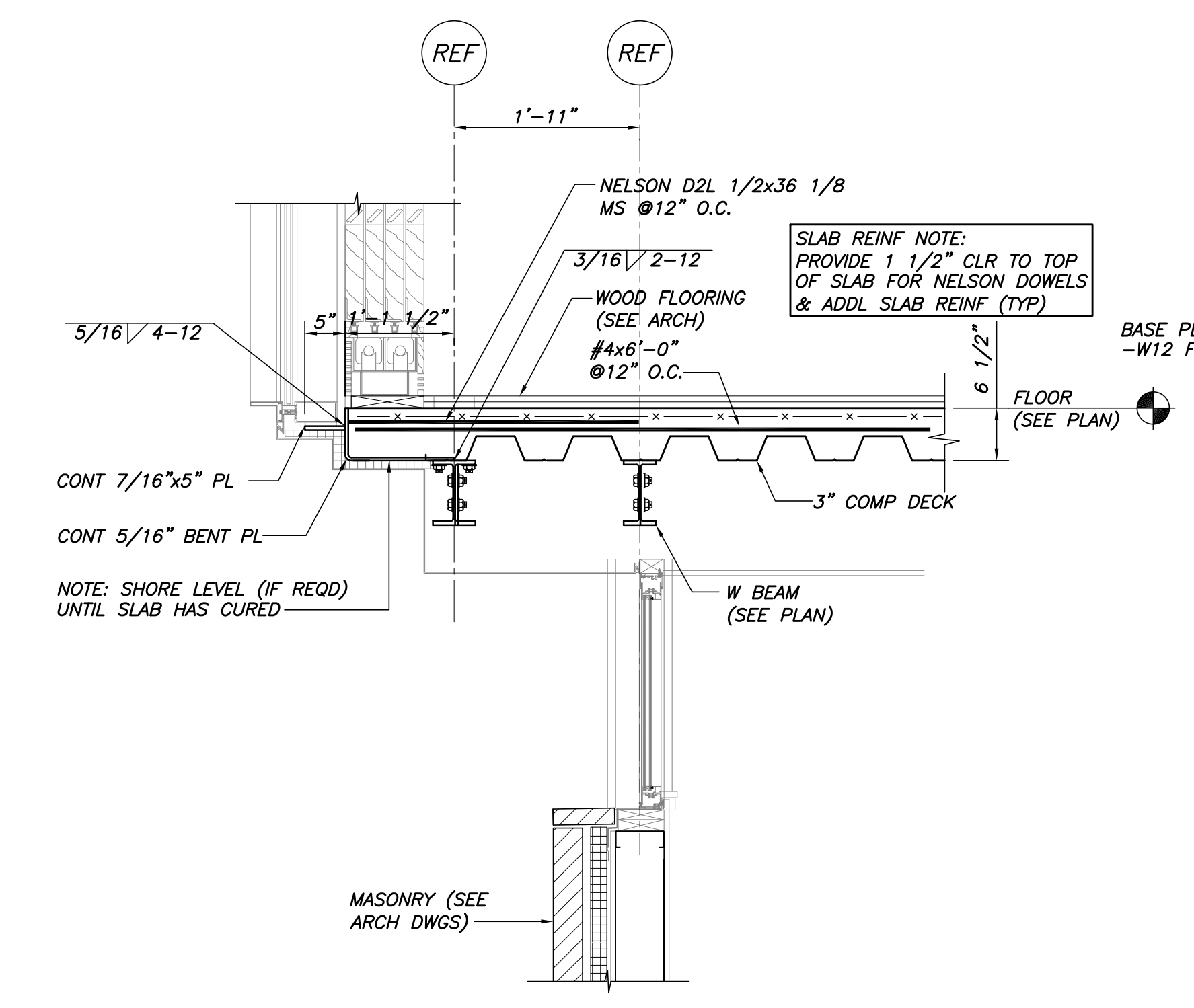
SECTION 6
3/4"=1'-0"



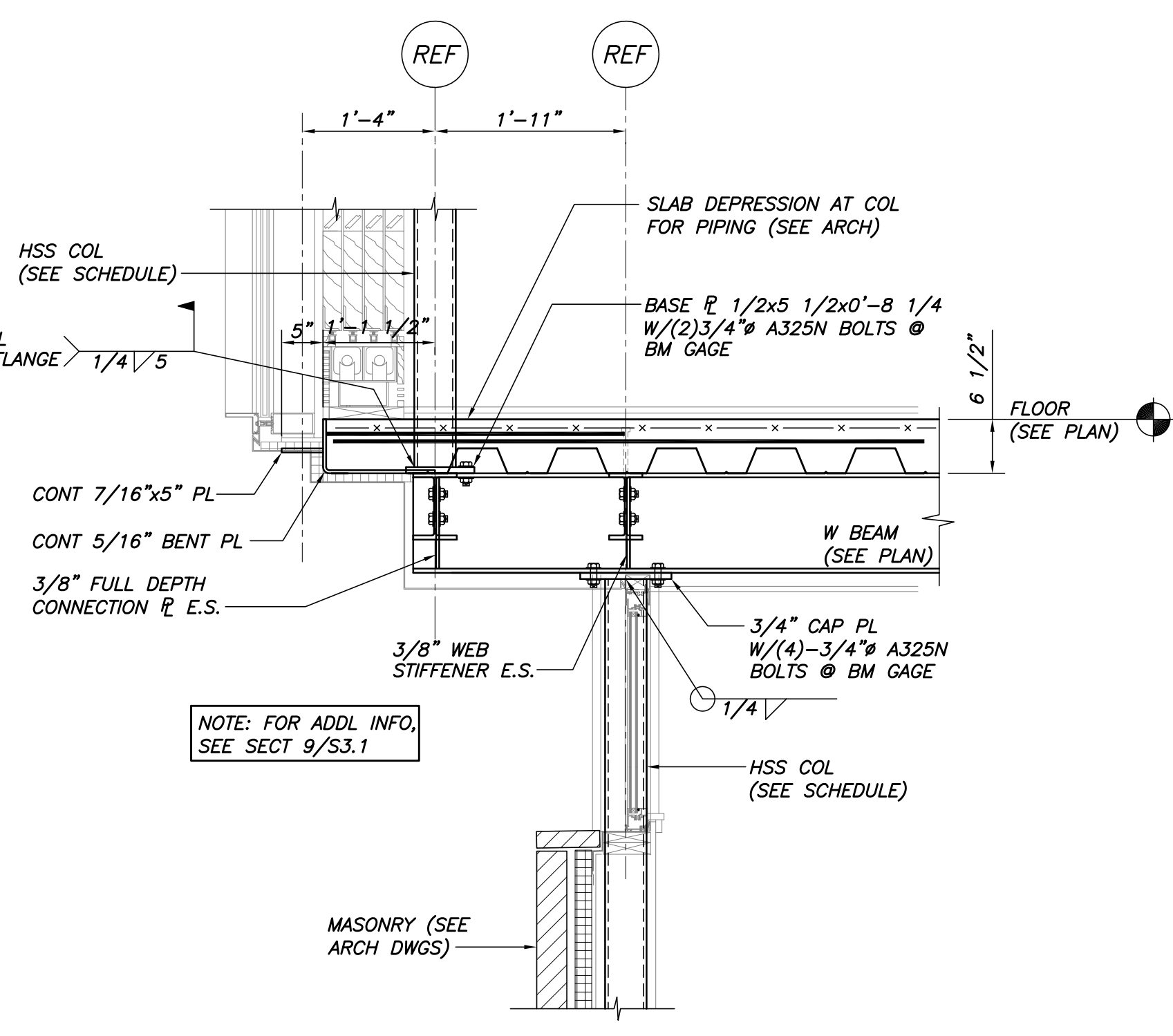
SECTION 7
3/4"=1'-0"



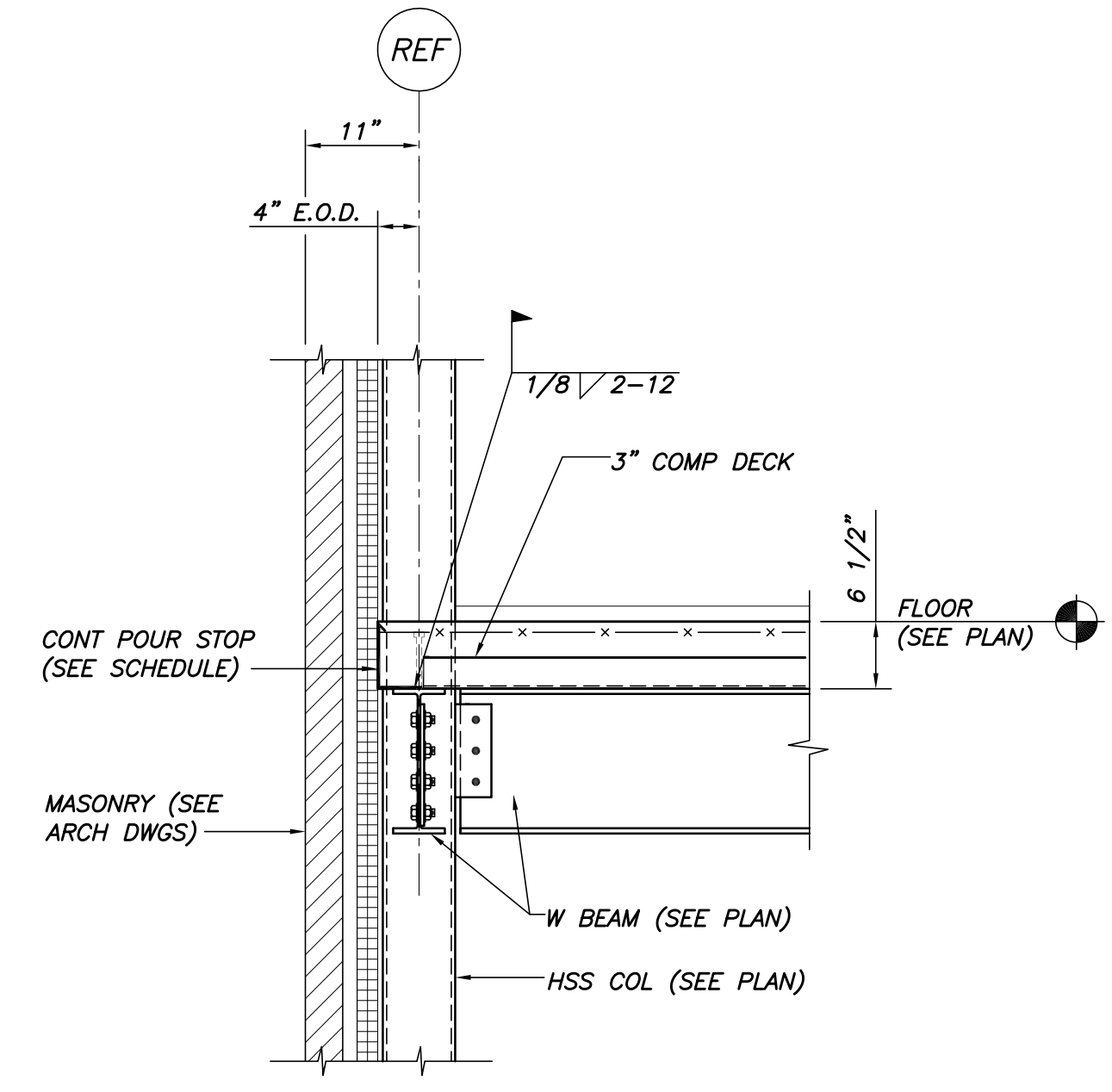
SECTION 8
3/4"=1'-0"



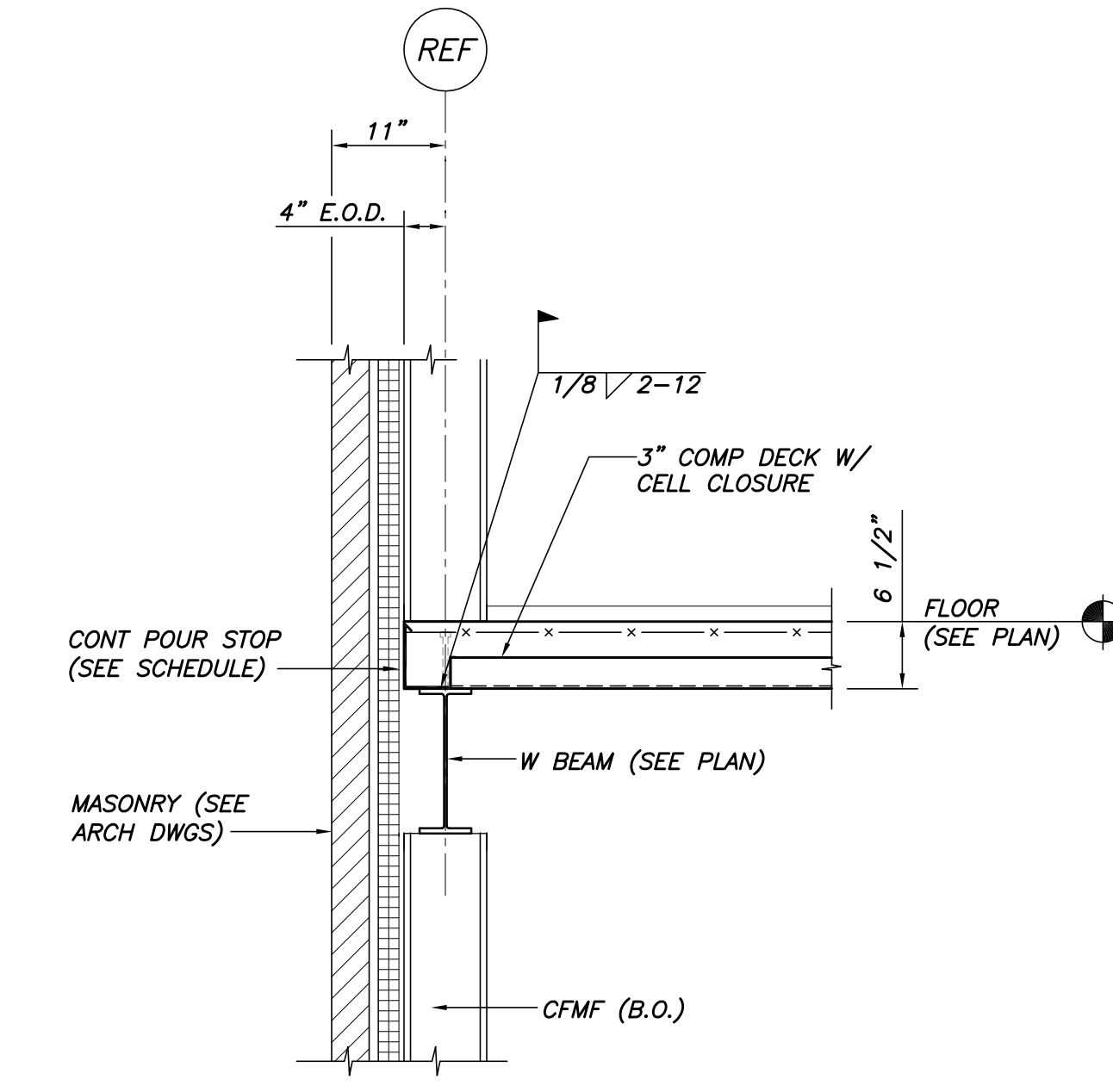
SECTION 9
3/4"=1'-0"



SECTION 10
3/4"=1'-0"



SECTION 11
3/4"=1'-0"



SECTION 12
3/4"=1'-0"

DRAWING NUMBER DATE REVISIONS PROJECT CONSULTANTS

SCHWARTZ / SILVER ARCHITECTS INC.
 BECKER STRUCTURAL ENGINEERS, INC.
 MAINE HISTORICAL SOCIETY
 489 CONGRESS ST.
 PORTLAND, MAINE
 75 Kneeland Street
 Boston, Massachusetts 02111
 Telephone 617/549-6669
 Facsimile 617/551-0779
 207-679-1838
 207-679-1822

DATE	REVISIONS	DESCRIPTION
05/01/07	60% CD SET	
07/16/07	100% CD SET	

DATE	APPROVED BY	DATE	APPROVED BY
SEP 2006	E.A.R.	SEP 2006	E.A.R.
SEP 2006	D.S.B.	SEP 2006	D.S.B.

A.P.P. _____
 Drawn by _____
 E.A.R. _____
 Reviewed by _____
 D.S.B. _____
 Approved by _____

NOTED Scale

FRAMING SECTIONS AND DETAILS

S3.1