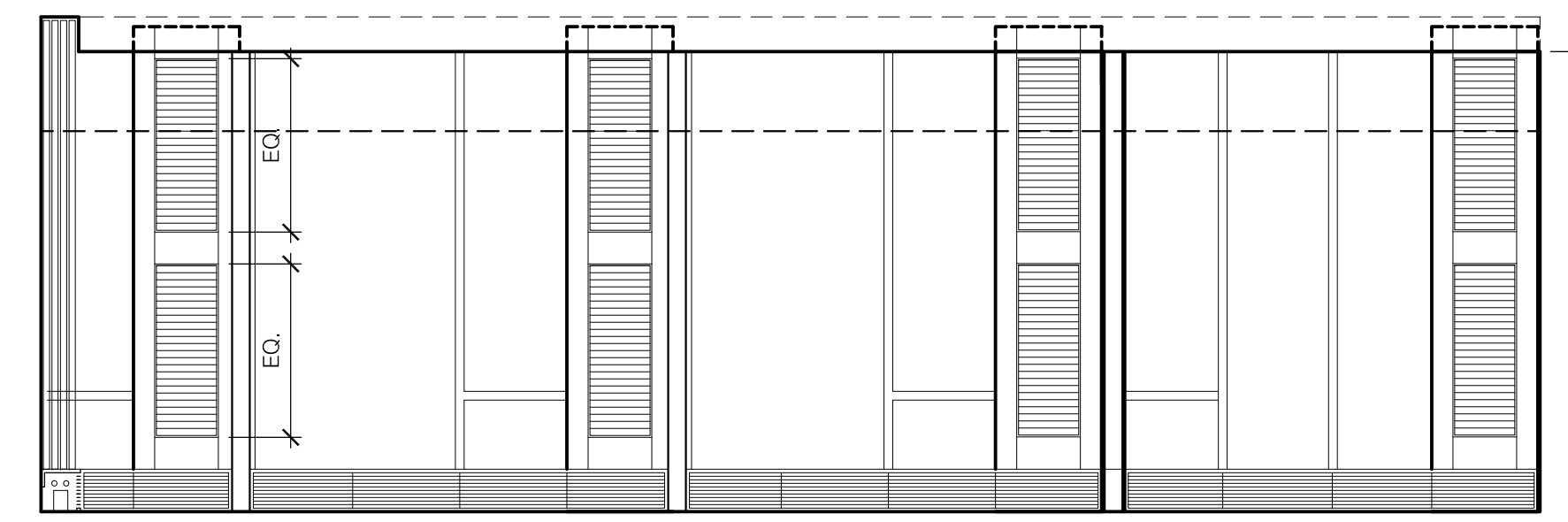
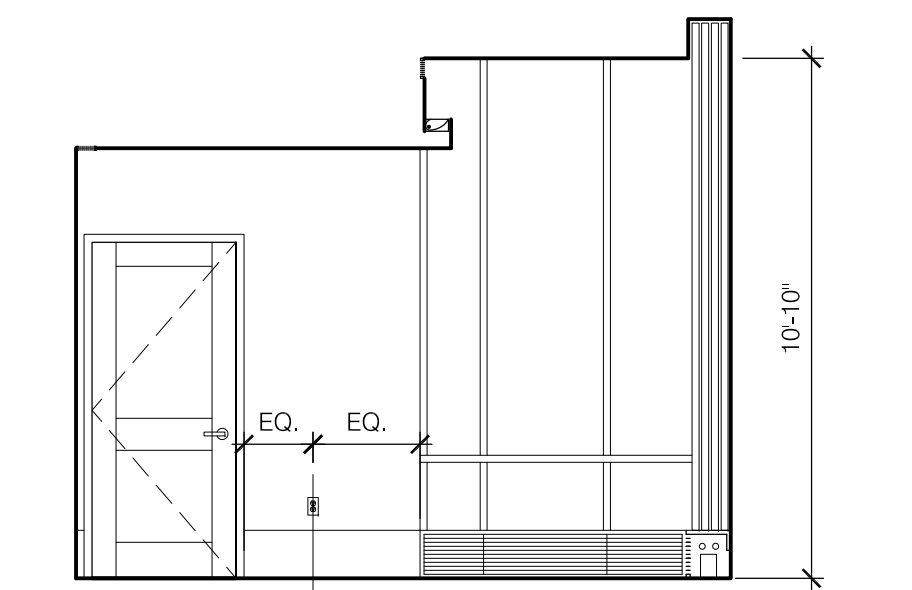


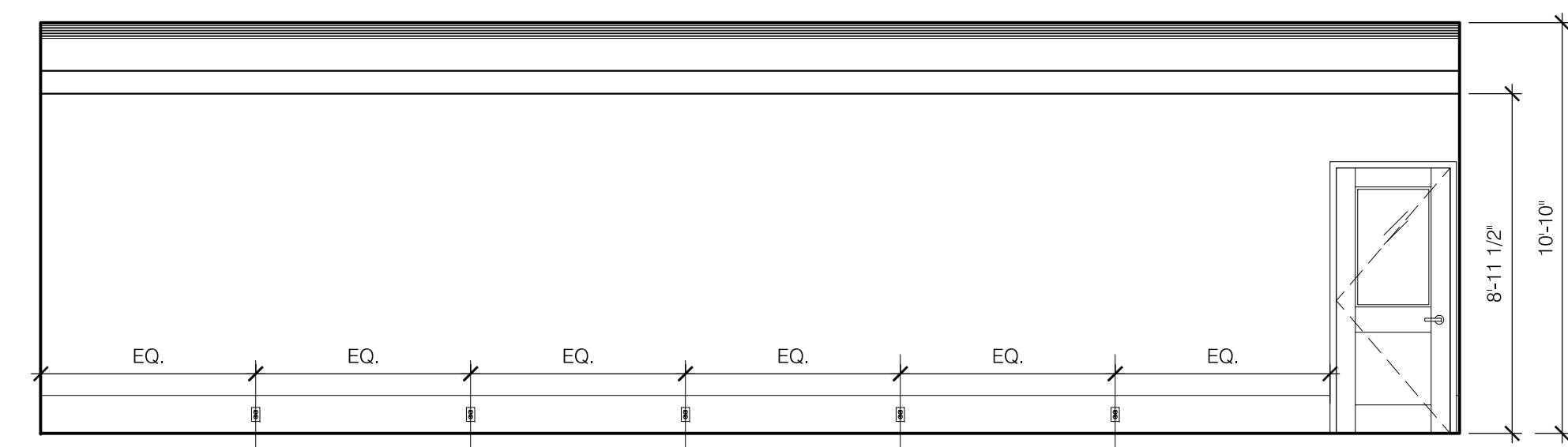
13 COLLECTION STORAGE - 212 - W
A1.08 | Scale: 1/4" = 1'-0"



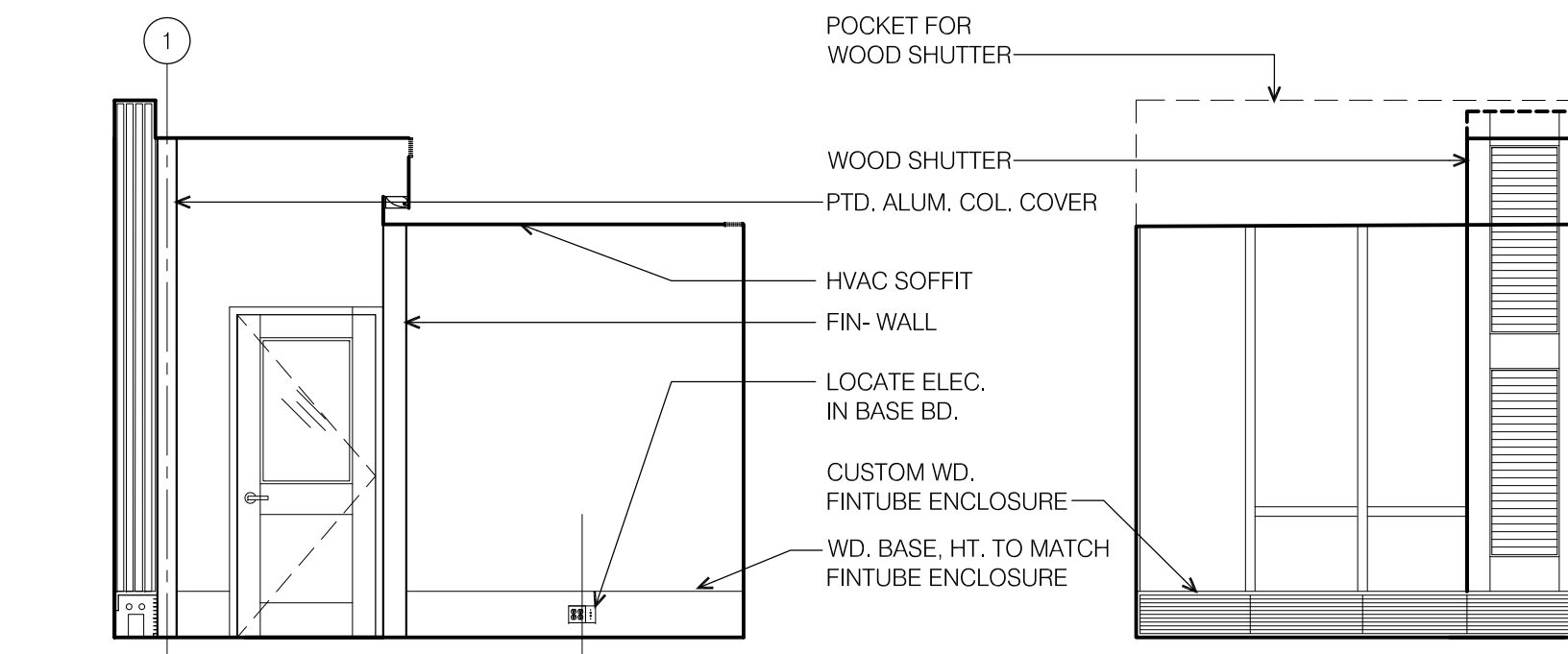
12 MAINE MEMORY OFFICES - 209 - W
A1.08 | Scale: 1/4" = 1'-0"



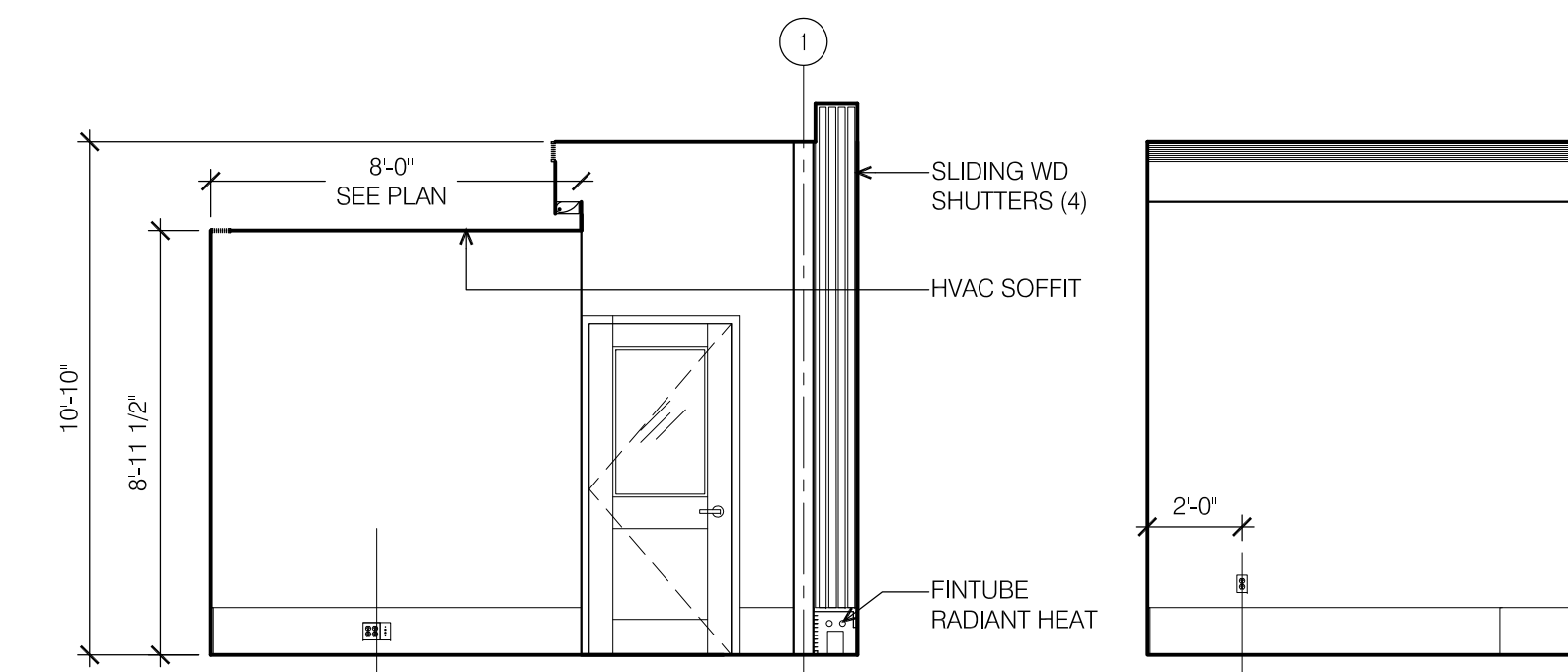
11 MAINE MEMORY OFFICES - 209 - S
A1.08 | Scale: 1/4" = 1'-0"



10 MAINE MEMORY OFFICES - 209 - E
A1.08 | Scale: 1/4" = 1'-0"



9 MAINE MEMORY OFFICES - 209 - N
A1.08 | Scale: 1/4" = 1'-0"

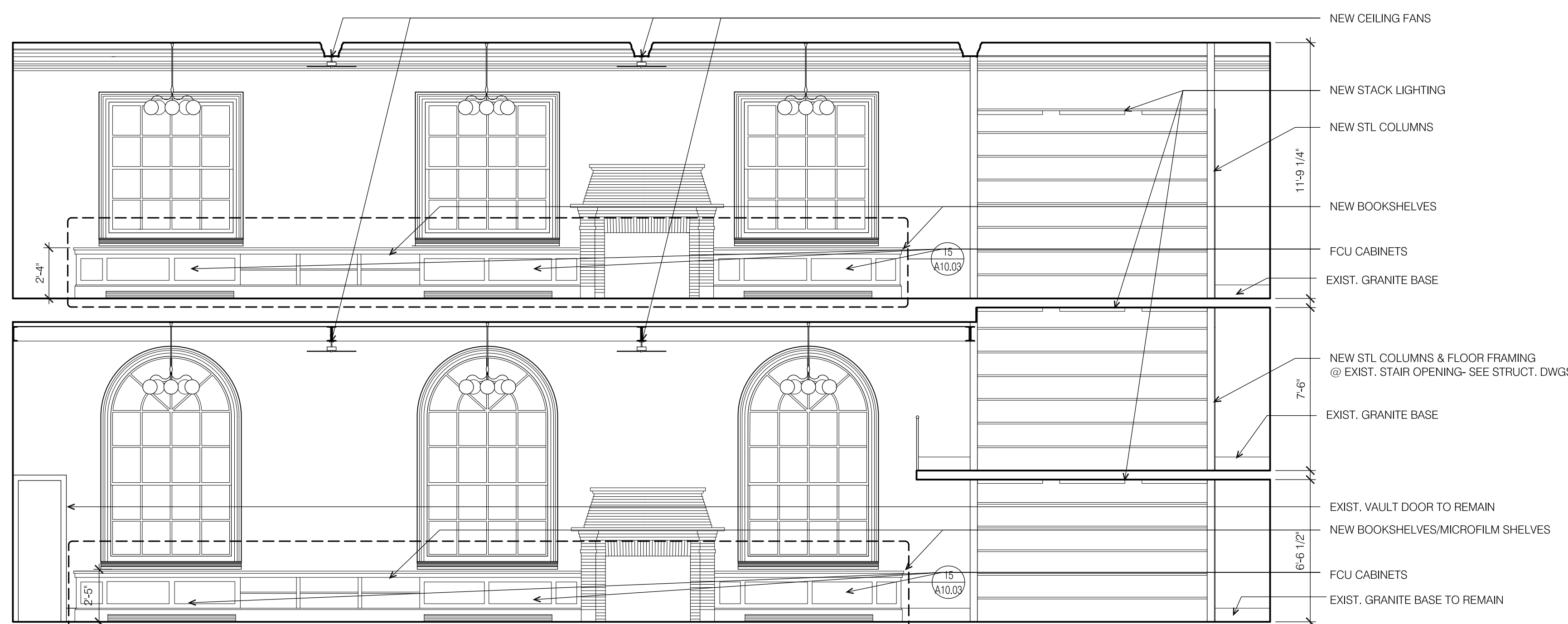


8 OFFICE - 210 - W
A1.08 | Scale: 1/4" = 1'-0"

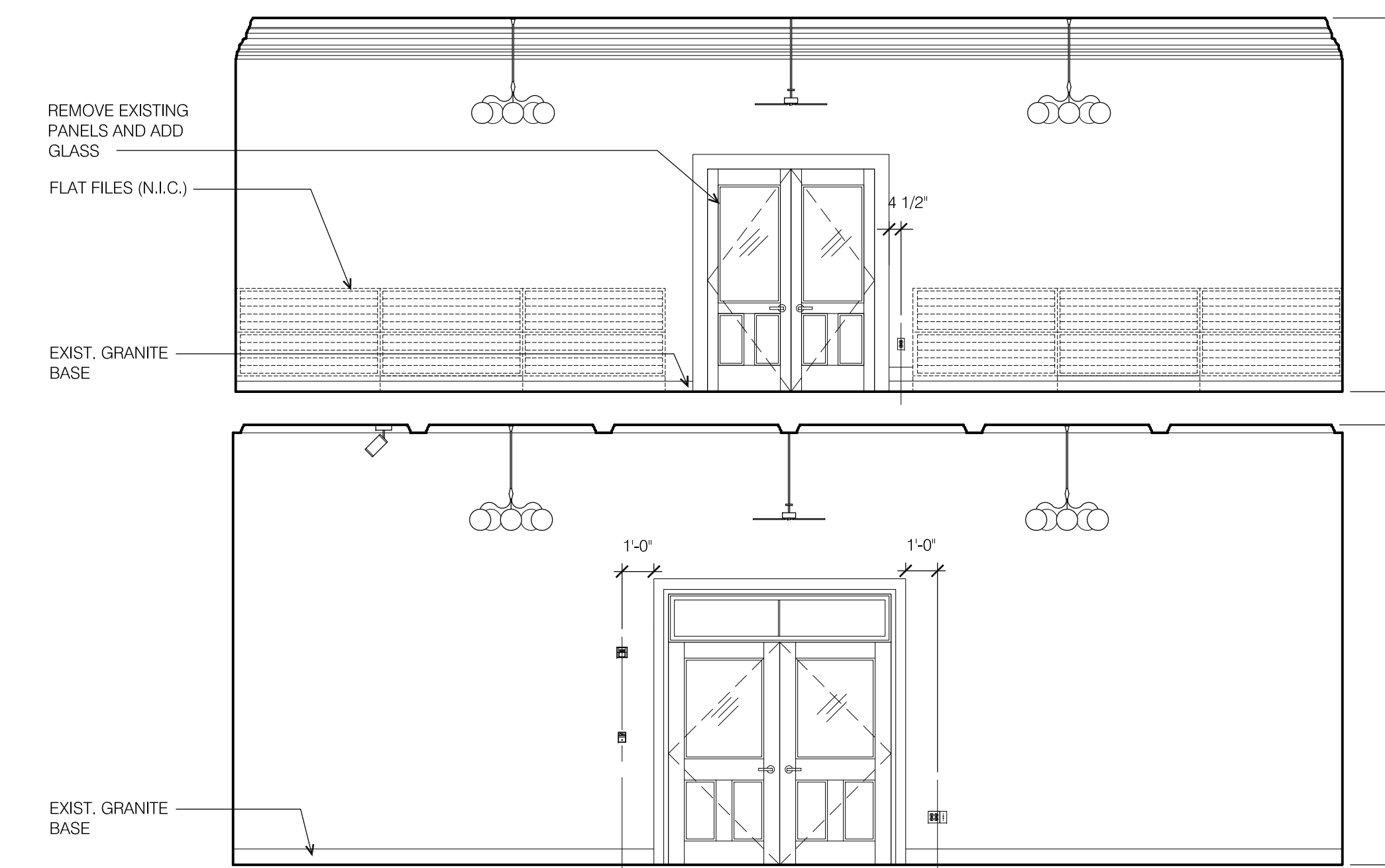
7 OFFICE - 210 - S
A1.08 | Scale: 1/4" = 1'-0"

6 OFFICE - 210 - E
A1.08 | Scale: 1/4" = 1'-0"

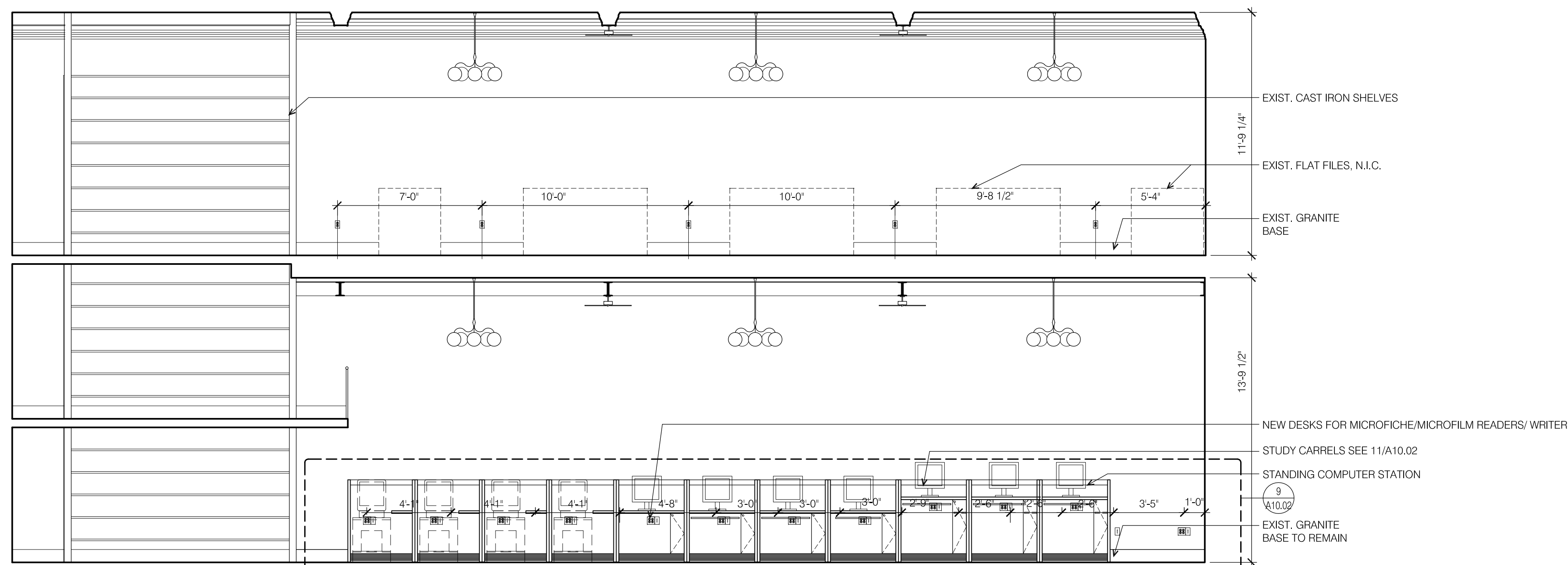
5 OFFICE - 210 - N
A1.08 | Scale: 1/4" = 1'-0"



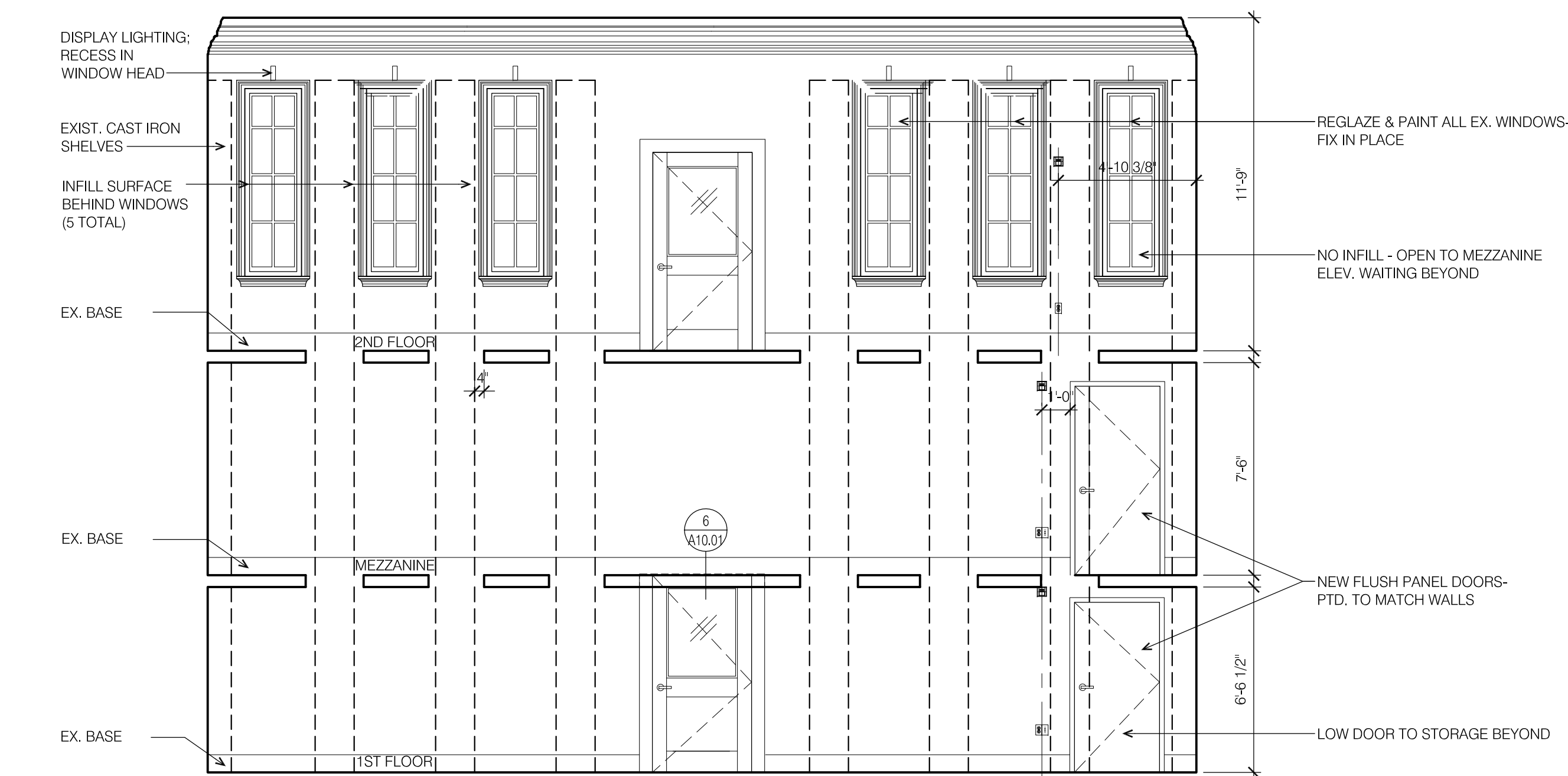
4 READING ROOM/STACKS - 104/M02/204/205 - W
Scale: 1/4" = 1'-0"



3 FIRST & SECOND FLOOR READING ROOMS - 104/204 - S
Scale: 1/4" = 1'-0"



2 READING ROOM/STACKS - 104/M02/204/205 - E
Scale: 1/4" = 1'-0"



1 READING ROOM/STACKS - 104/M02/204/205 - N
Scale: 1/4" = 1'-0"

CONSULTANTS

SCHWARTZ / SILVER ARCHITECTS INC.

75 Kneeland Street
Boston, Massachusetts 02111
Telephone 617/542-6650
Facsimile 617/951-0779

PROJECT

MAINE HISTORICAL SOCIETY
489 CONGRESS ST.
PORTLAND, MAINE

DATE REVISIONS

REVISION 01	Date	Drawn By	Date	Reviewed By	Date	Approved By

DRAWING TITLE

INTERIOR ELEVATIONS

DRAWING NUMBER

A9.03

AS NOTED
Scale