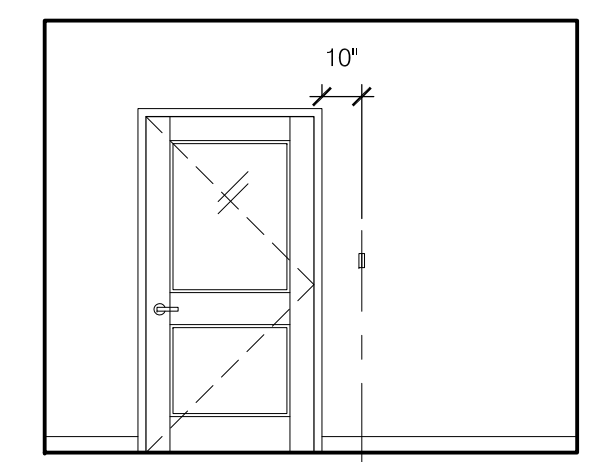
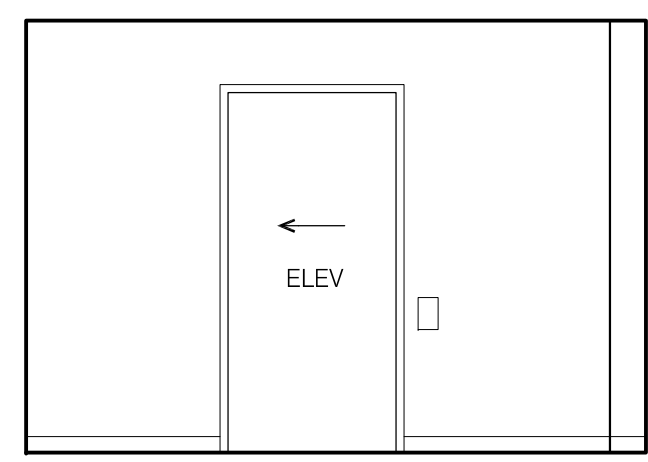


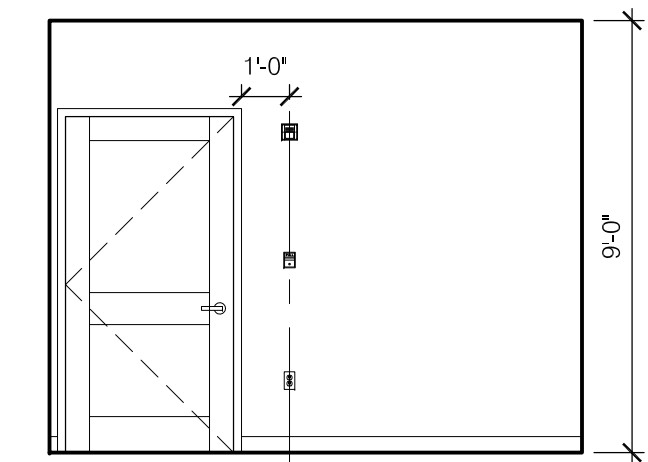
29 ELEV. - 207 - W
A1.08|Scale: 1/4" = 1'-0"



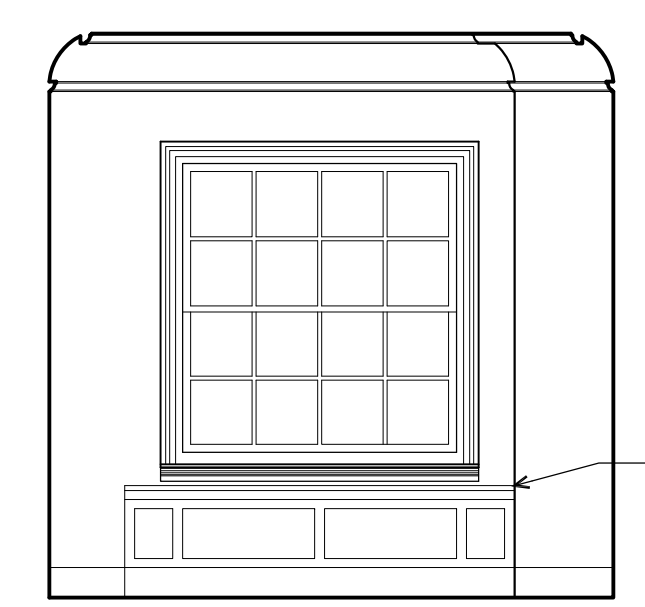
28 ELEV. - 207 - S
A1.08|Scale: 1/4" = 1'-0"



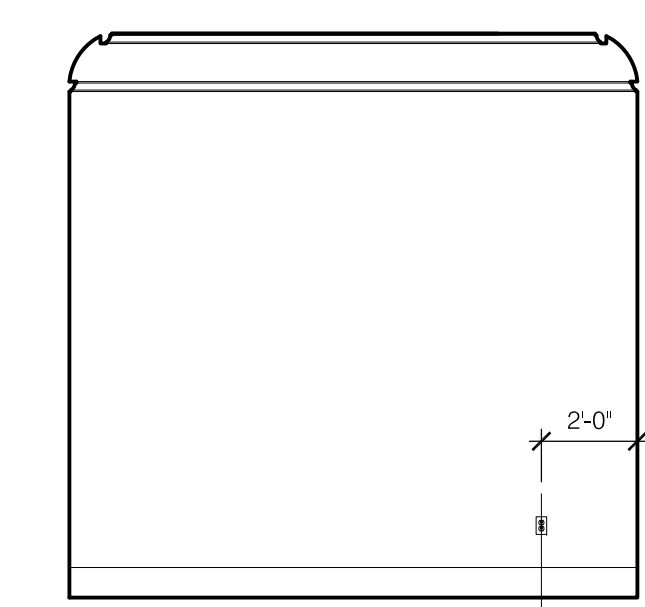
27 ELEV. - 207 - E
A1.08|Scale: 1/4" = 1'-0"



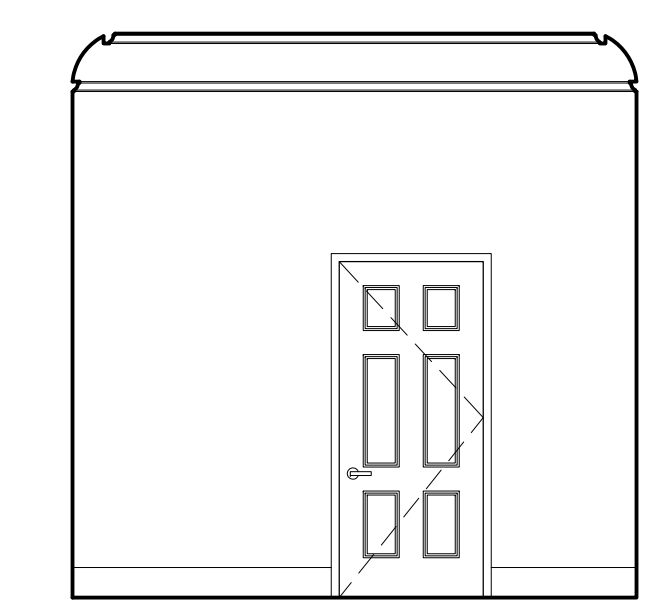
26 ELEV. - 207 - N
A1.08|Scale: 1/4" = 1'-0"



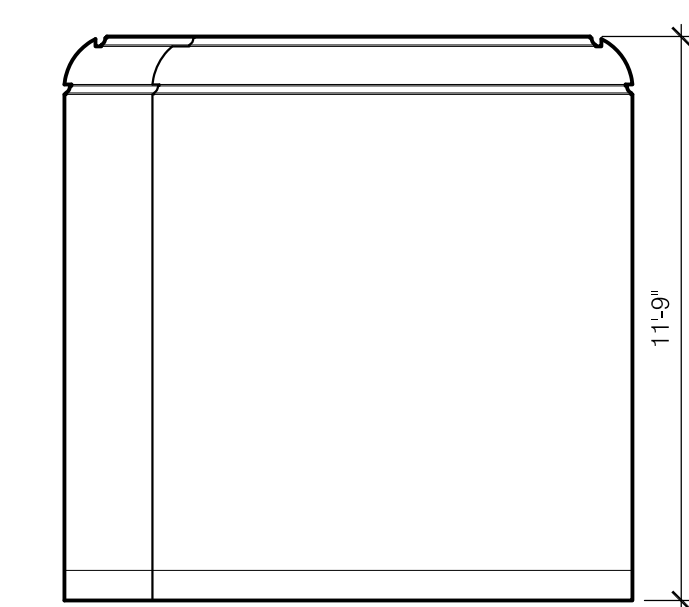
25 LOUNGE - 203 - W
A1.09|Scale: 1/4" = 1'-0"



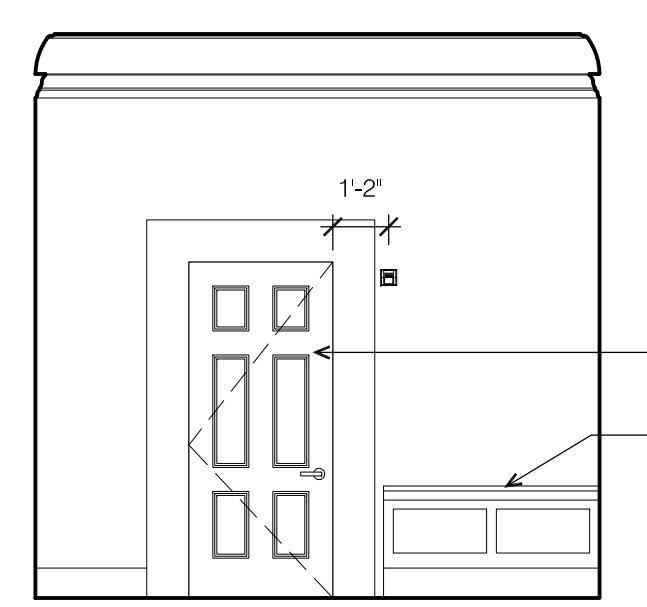
24 LOUNGE - 203 - S
A1.09|Scale: 1/4" = 1'-0"



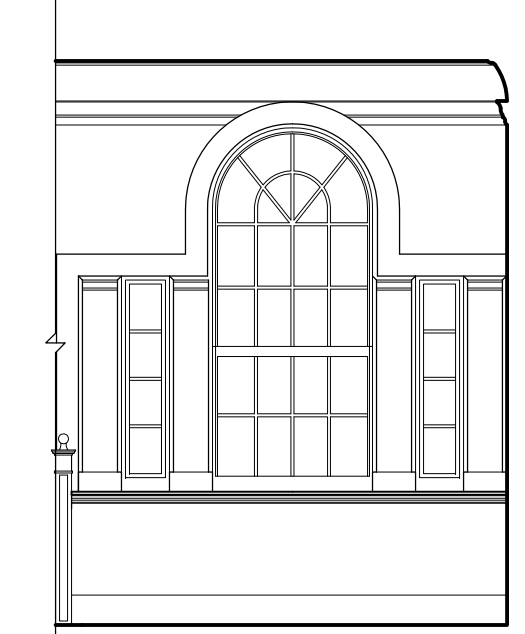
23 LOUNGE - 203 - E
A1.09|Scale: 1/4" = 1'-0"



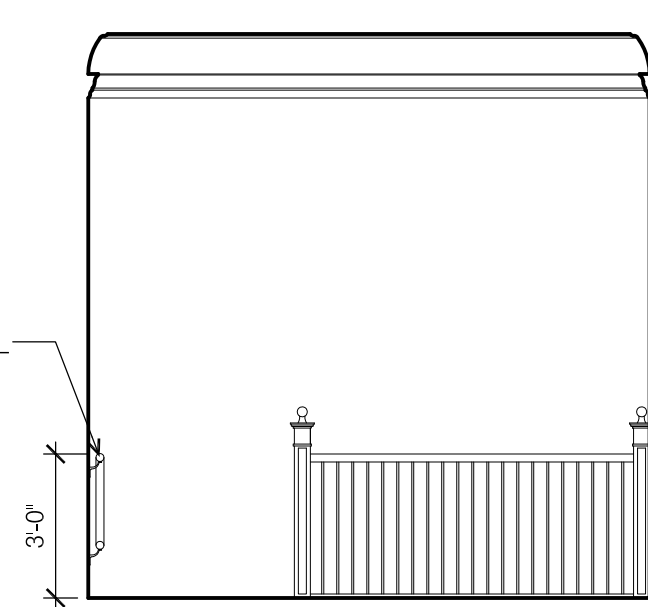
22 LOUNGE - 203 - N
A1.09|Scale: 1/4" = 1'-0"



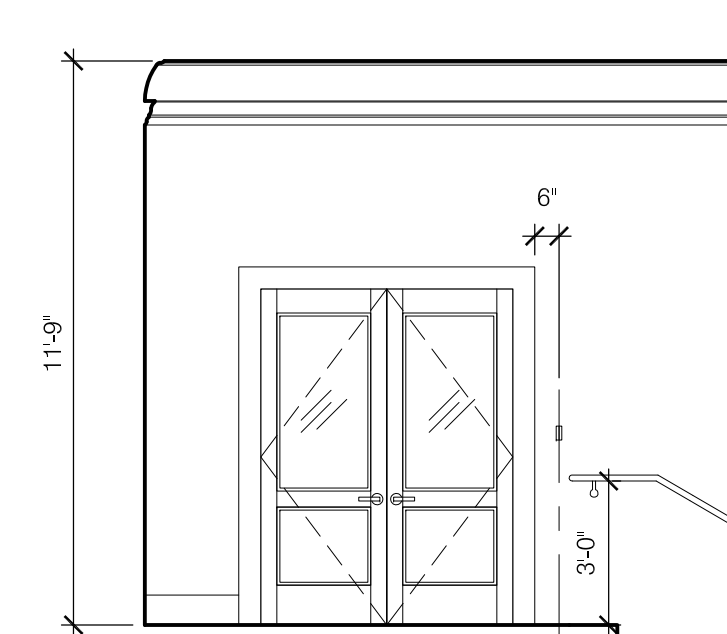
21 VESTIBULE - 202 - W
A1.09|Scale: 1/4" = 1'-0"



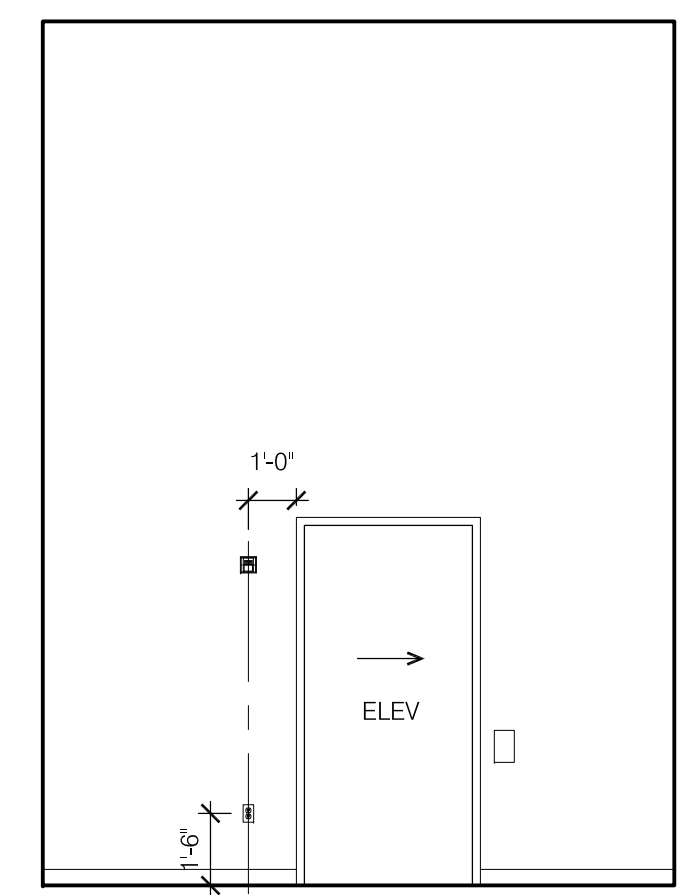
20 VESTIBULE - 202 - S
A1.09|Scale: 1/4" = 1'-0"



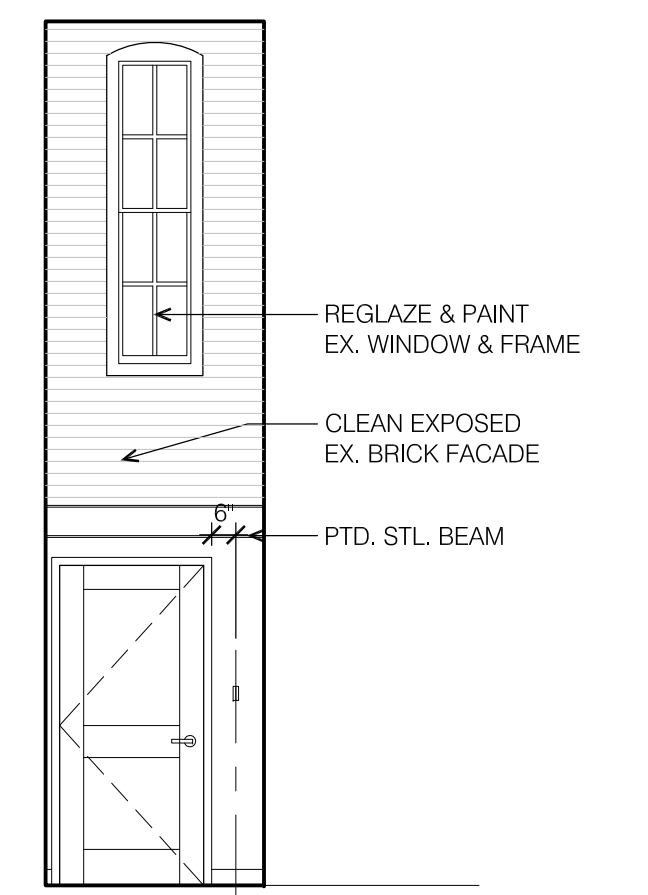
19 VESTIBULE - 202 - E
A1.09|Scale: 1/4" = 1'-0"



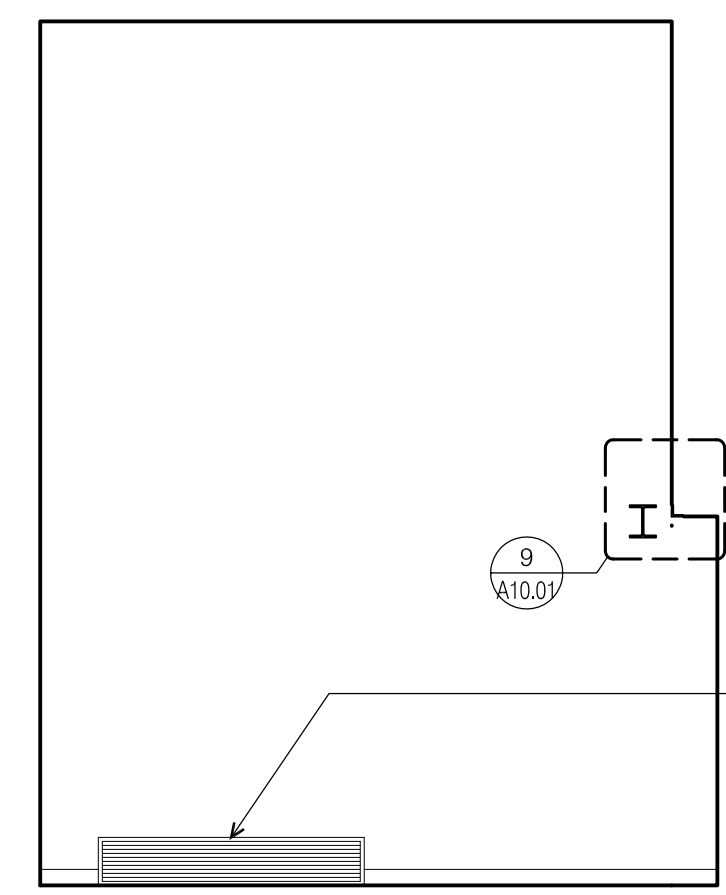
18 VESTIBULE - 202 - N
A1.09|Scale: 1/4" = 1'-0"



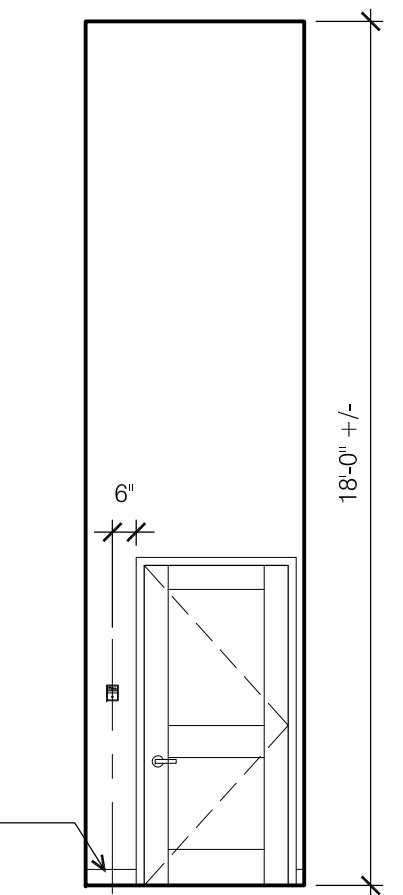
17 ELEV. WAITING - M01 - W
A1.06|Scale: 1/4" = 1'-0"



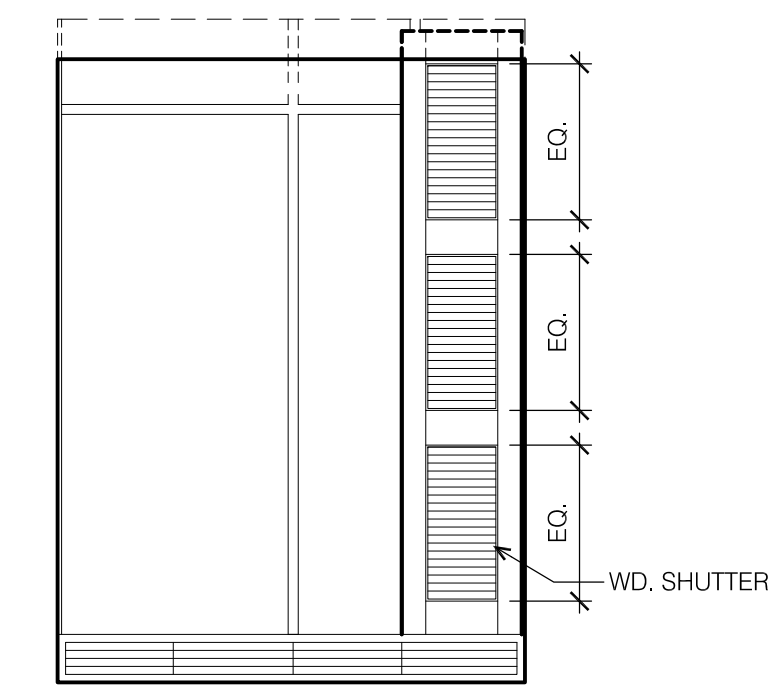
16 ELEV. WAITING - M01 - S
A1.06|Scale: 1/4" = 1'-0"



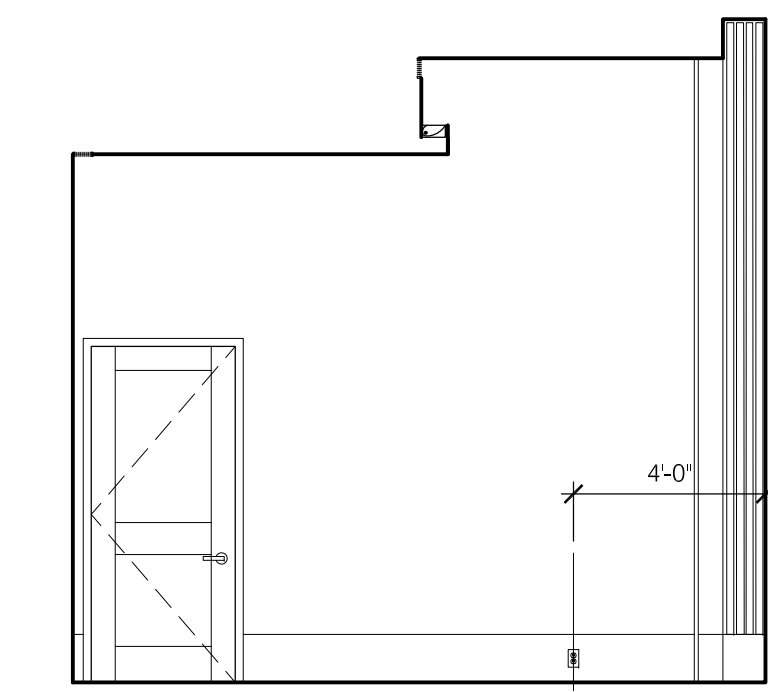
15 ELEV. WAITING - M01 - E
A1.06|Scale: 1/4" = 1'-0"



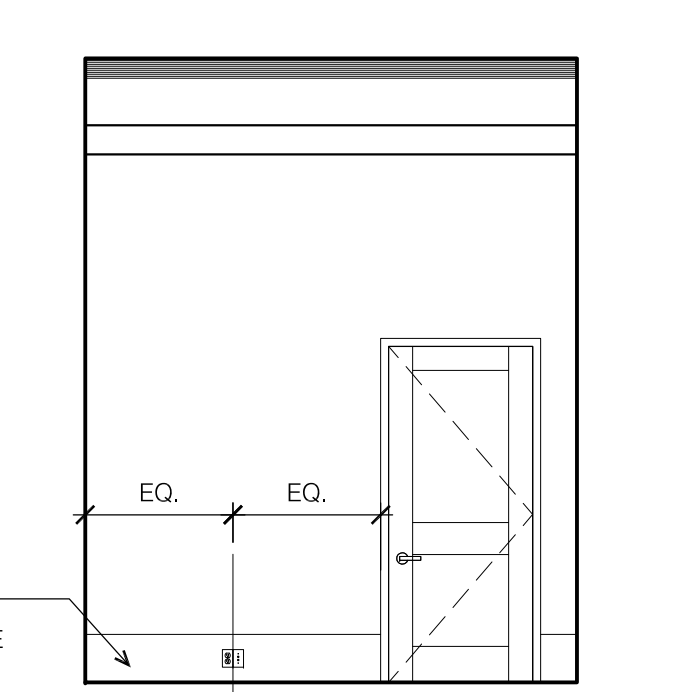
14 ELEV. WAITING - M01 - N
A1.06|Scale: 1/4" = 1'-0"



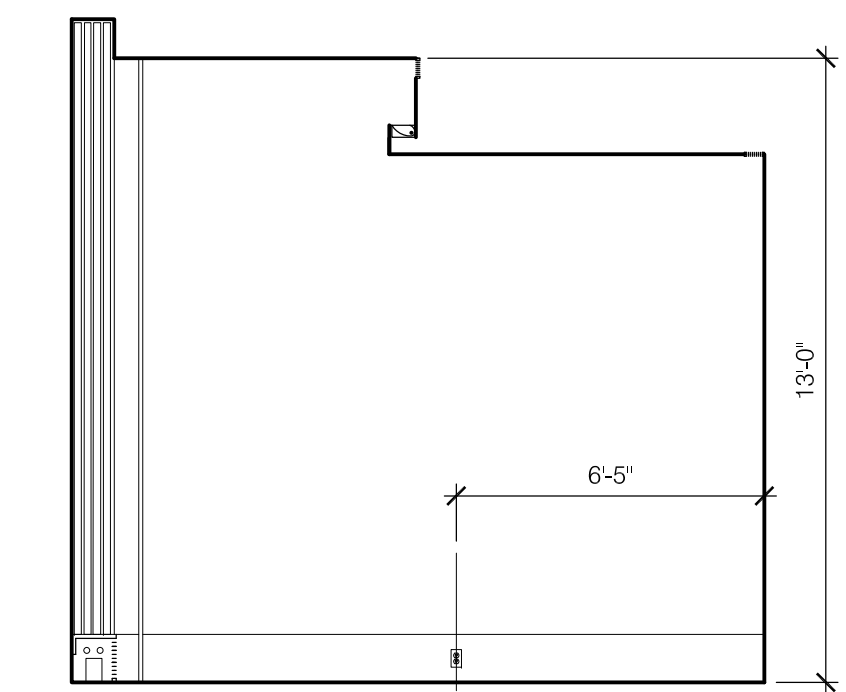
13 LIBRARIAN - 113 - W
A1.04|Scale: 1/4" = 1'-0"



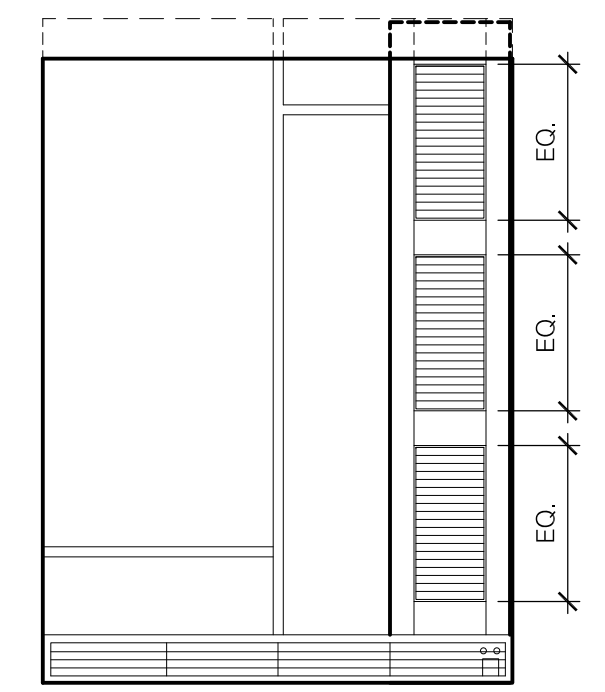
12 LIBRARIAN OFFICE - 113 - S
A1.04|Scale: 1/4" = 1'-0"



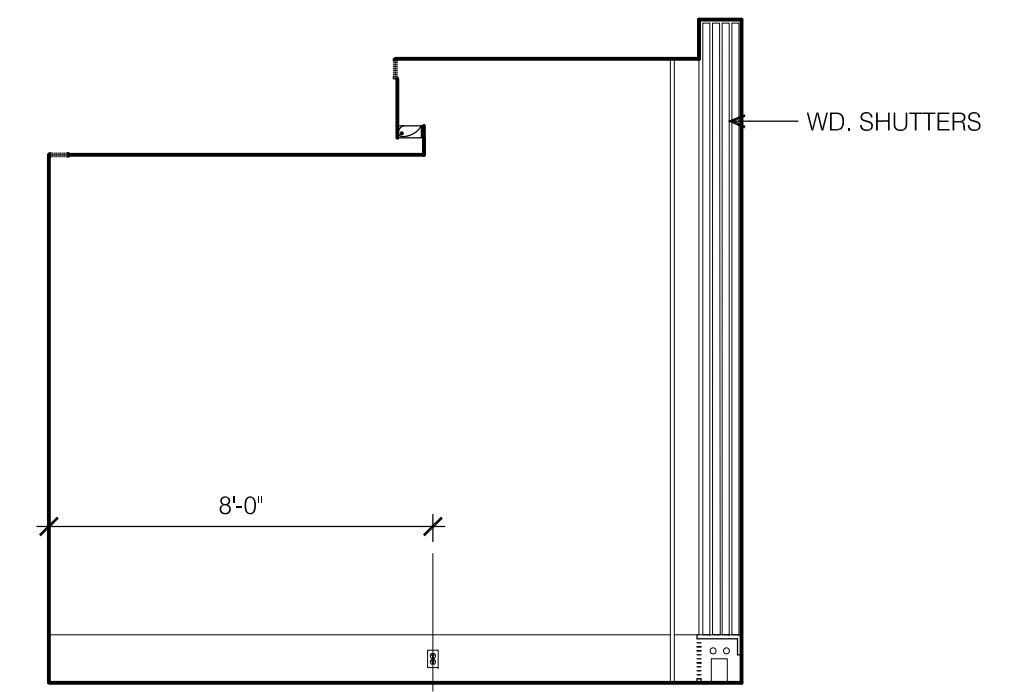
11 LIBRARIAN OFFICE - 113 - E
A1.04|Scale: 1/4" = 1'-0"



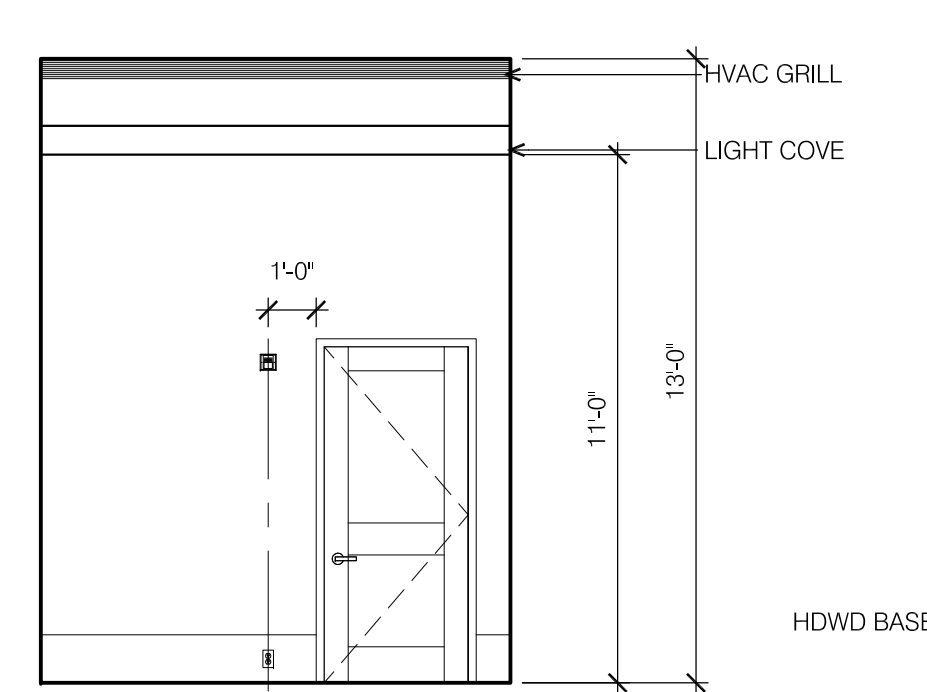
10 LIBRARIAN OFFICE - 113 - N
A1.04|Scale: 1/4" = 1'-0"



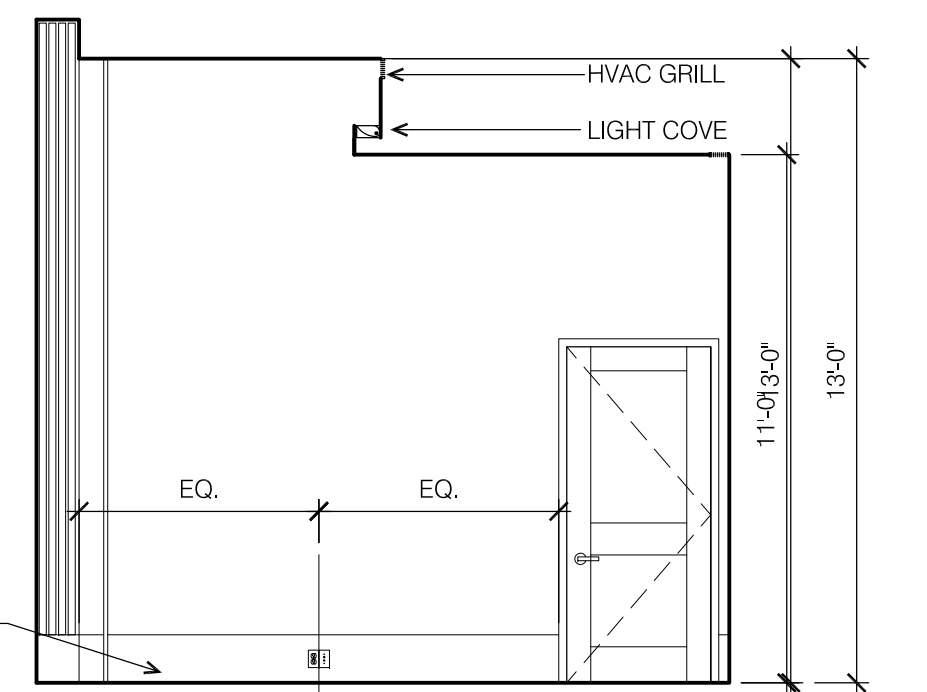
9 STAFF MEETING RM. - 112 - W
A1.04|Scale: 1/4" = 1'-0"



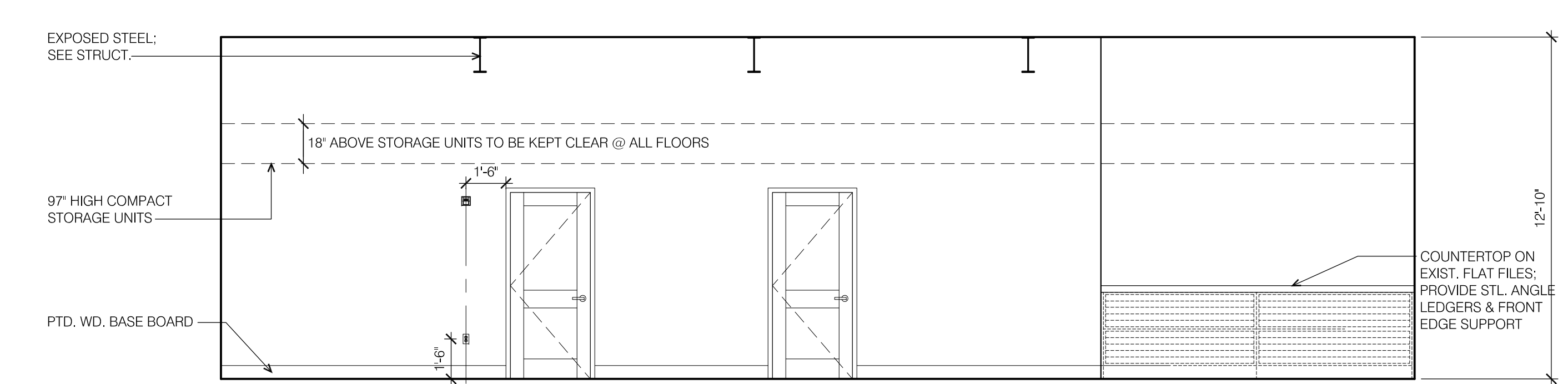
8 STAFF MEETING ROOM - 112 - S
A1.04|Scale: 1/4" = 1'-0"



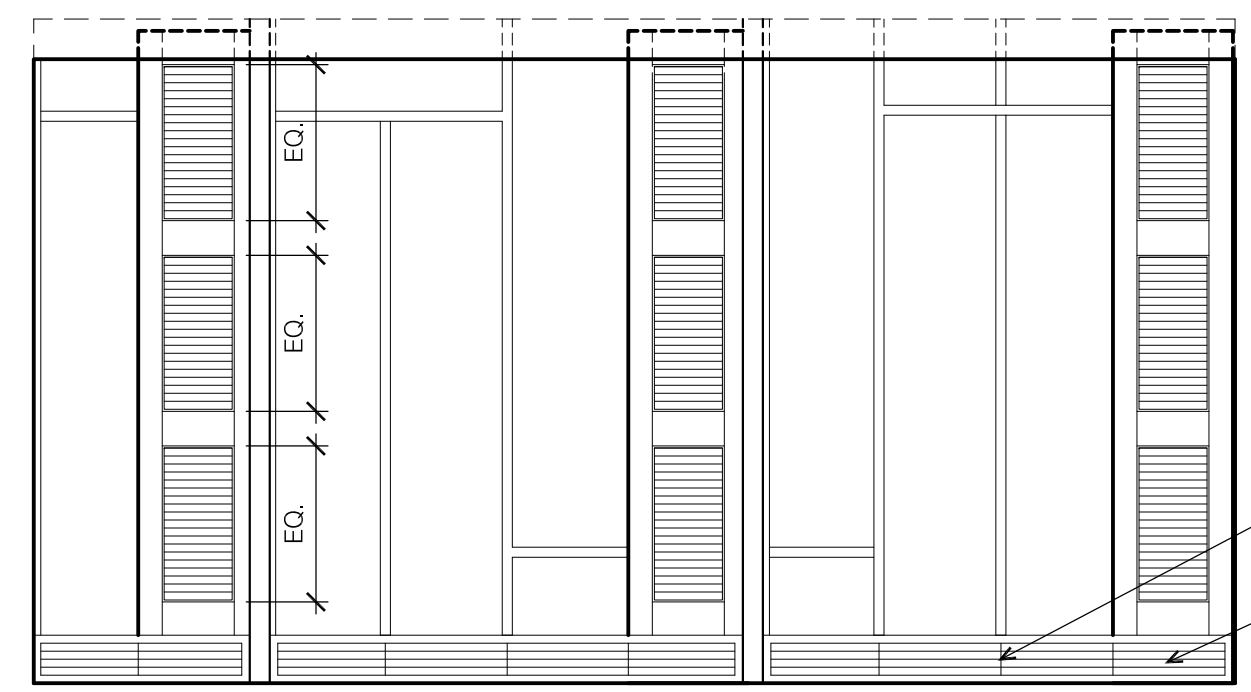
7 STAFF MEETING ROOM - 112 - E
A1.04|Scale: 1/4" = 1'-0"



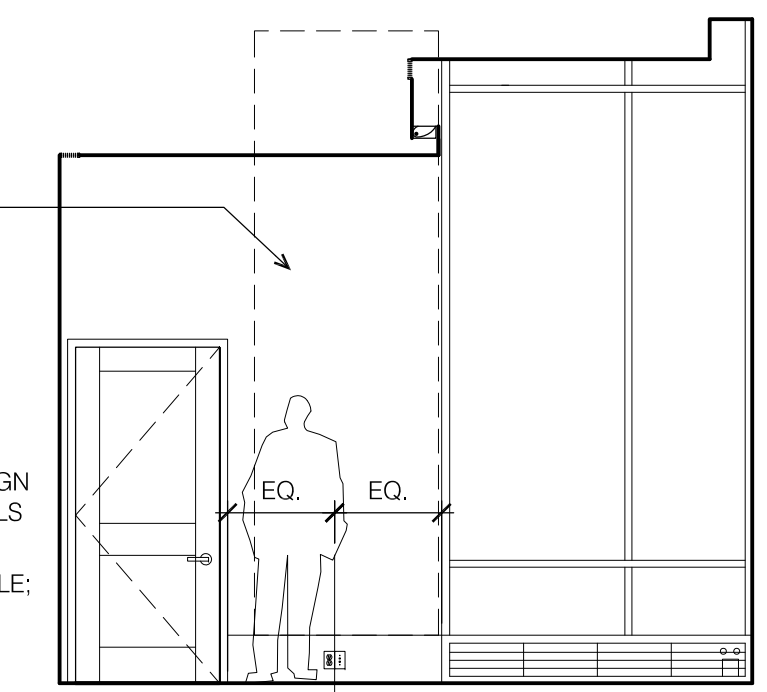
6 STAFF MEETING ROOM - 112 - N
A1.04|Scale: 1/4" = 1'-0"



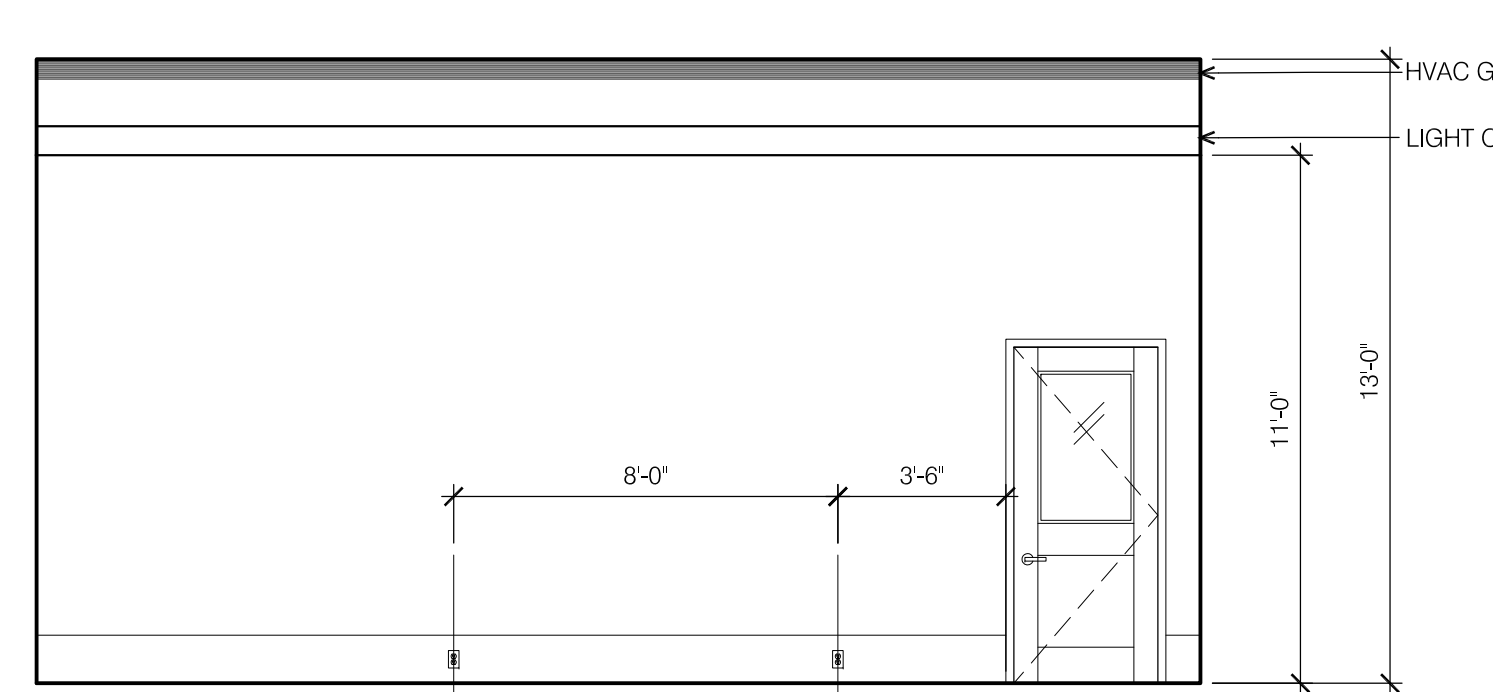
5 COLLECTION STORAGE - 110 - W
A1.04|Scale: 1/4" = 1'-0"



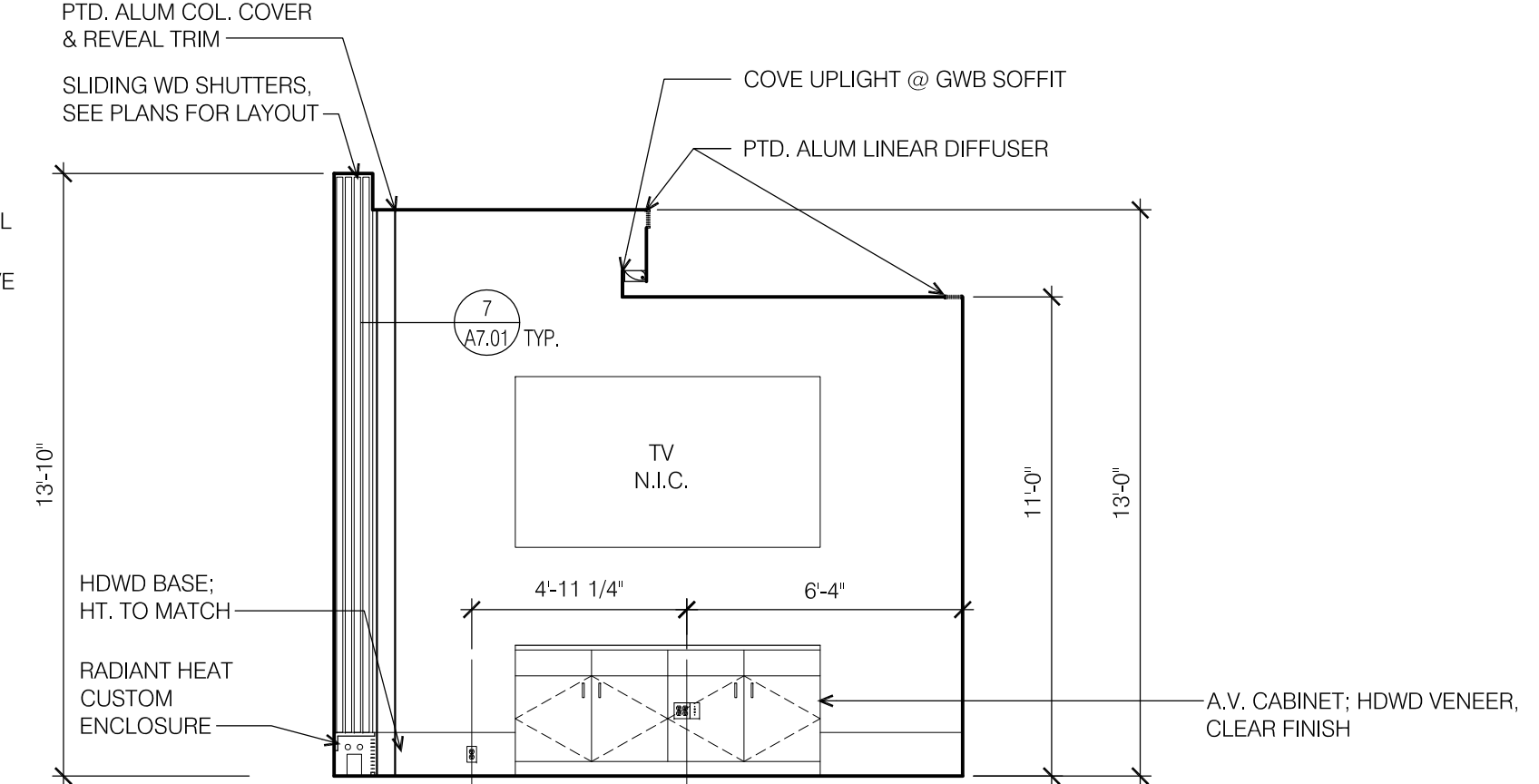
4 CONFERENCE RM. - 109 - W
A1.04|Scale: 1/4" = 1'-0"



3 CONFERENCE ROOM - 109 - S
A1.04|Scale: 1/4" = 1'-0"



2 CONFERENCE ROOM - 109 - E
A1.04|Scale: 1/4" = 1'-0"



1 CONFERENCE ROOM - 109 - N
A1.04|Scale: 1/4" = 1'-0"

CONSULTANTS

SCHWARTZ / SILVER
ARCHITECTS INC.
75 Kneeland Street
Boston, Massachusetts 02111
Telephone 617/542-6650
Facsimile 617/951-0779

PROJECT
MAINE HISTORICAL SOCIETY
489 CONGRESS ST.
PORTLAND, MAINE

Drawn By: _____ Date: _____
Reviewed By: _____ Date: _____
Approved By: _____ Date: _____

DATE	REVISIONS	DESCRIPTION
09/13/07	REVISION 01	

DRAWING TITLE
INTERIOR ELEVATIONS
AS NOTED
Scale

DRAWING NUMBER
A9.02