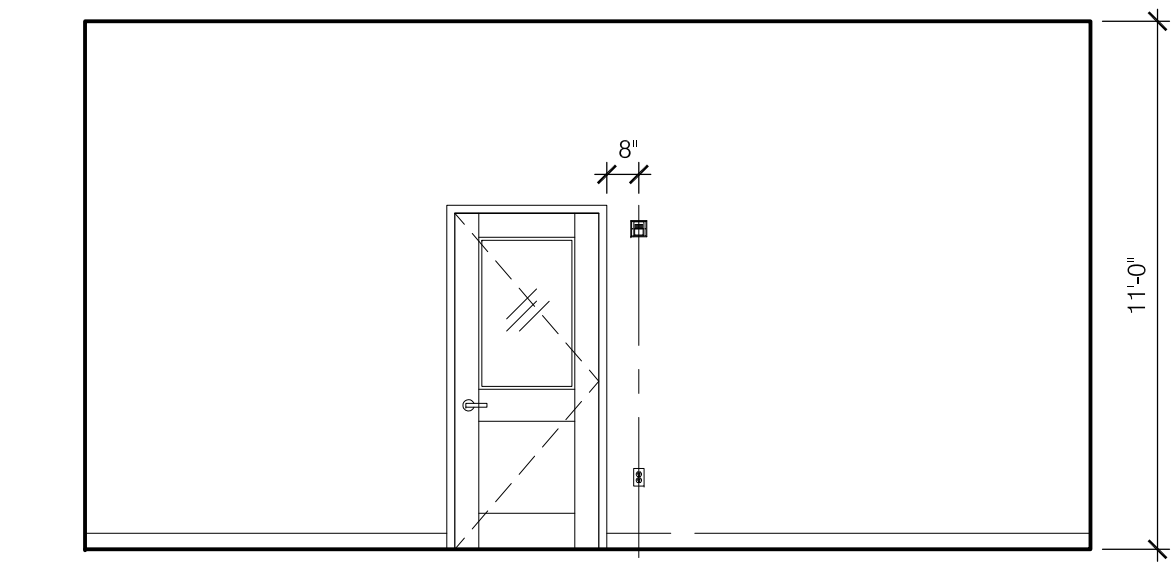
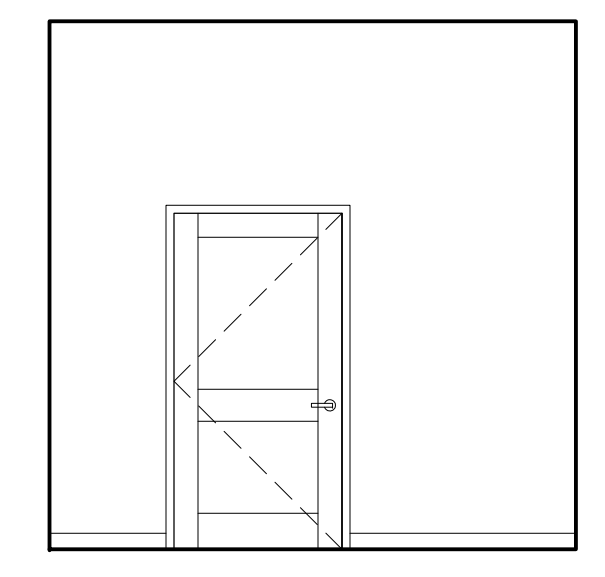


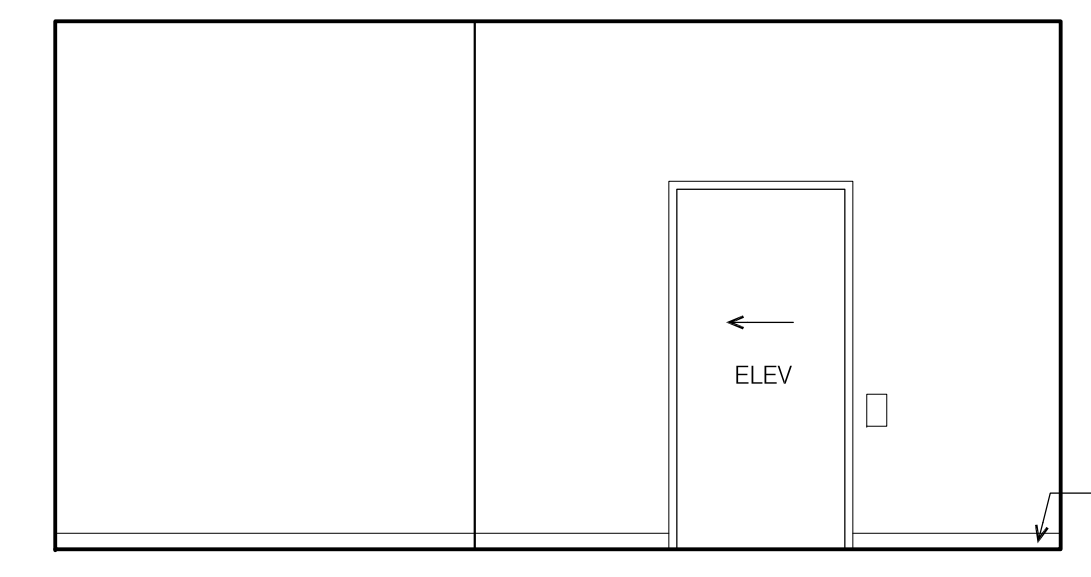
37 STORAGE - G02 - N
A1.03 Scale: 1/4" = 1'-0"



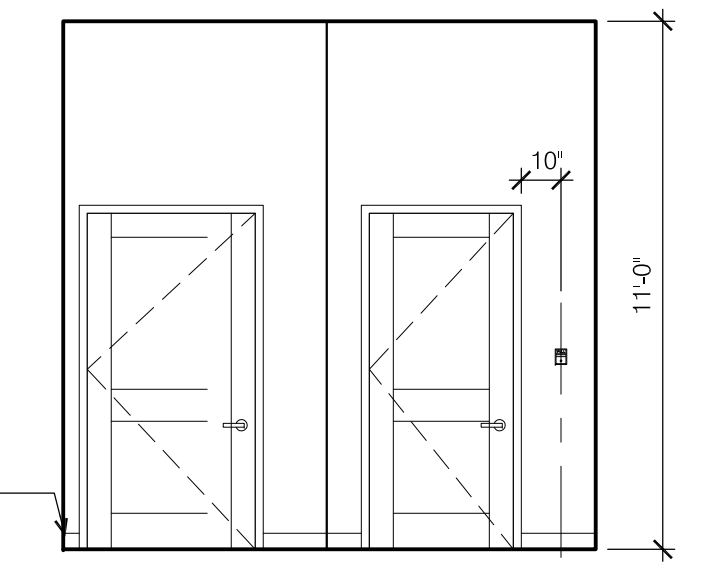
36 ELEV. WAITING AREA - 107 - W
A1.04 Scale: 1/4" = 1'-0"



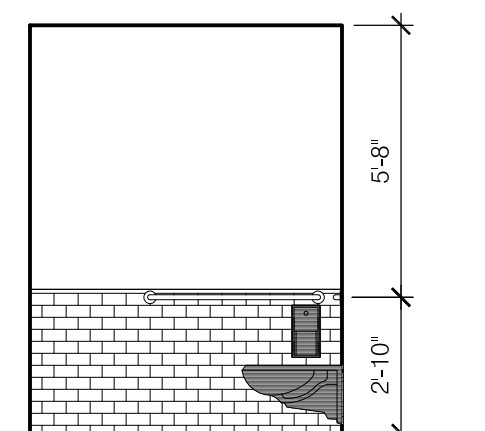
35 ELEV WAITING - 107 - S
A1.04 Scale: 1/4" = 1'-0"



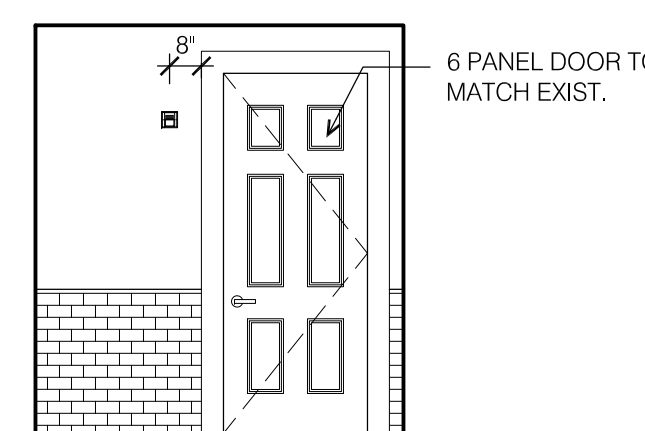
34 ELEV WAITING - 107 - E
A1.04 Scale: 1/4" = 1'-0"



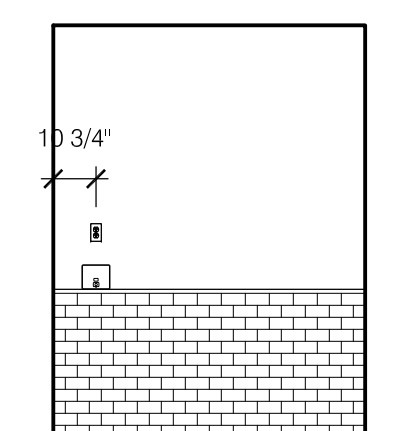
33 ELEV WAITING - 107 - N
A1.04 Scale: 1/4" = 1'-0"



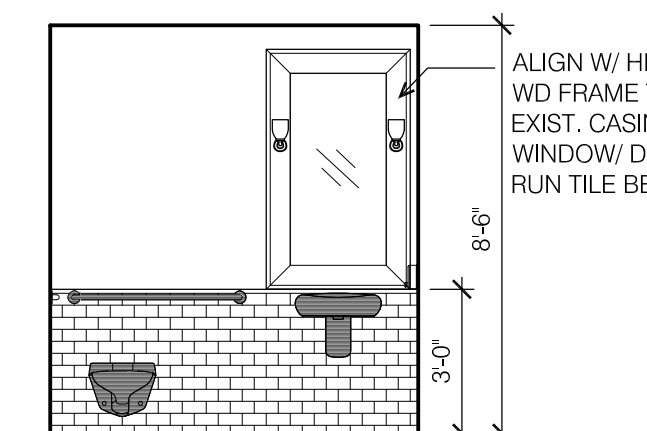
32 W.C. - 103 - W
A1.05 Scale: 1/4" = 1'-0"



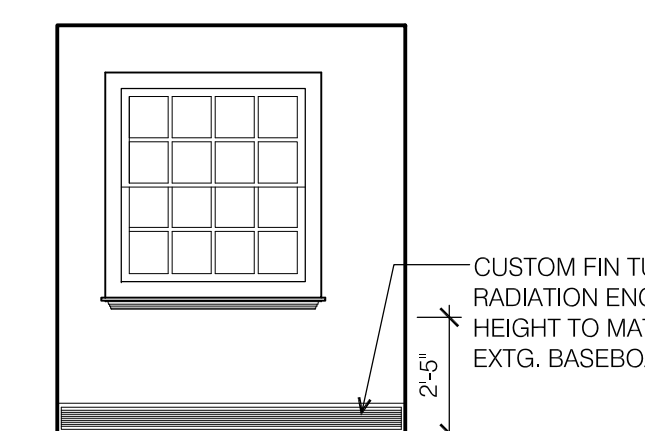
31 W.C. - 103 - S
A1.05 Scale: 1/4" = 1'-0"



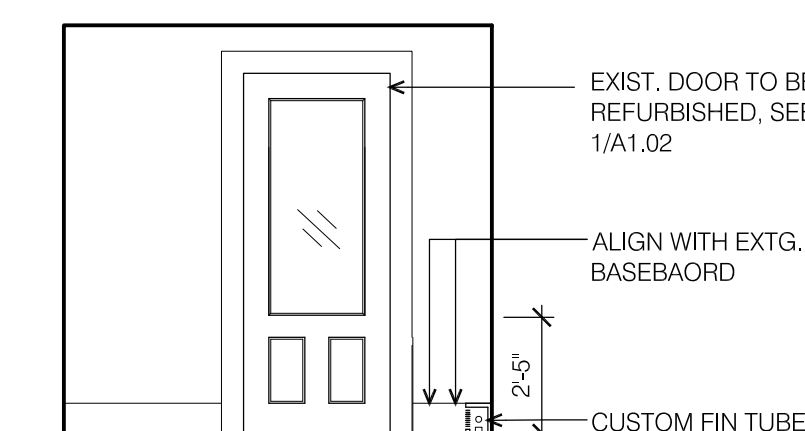
30 W.C. - 103 - E
A1.05 Scale: 1/4" = 1'-0"



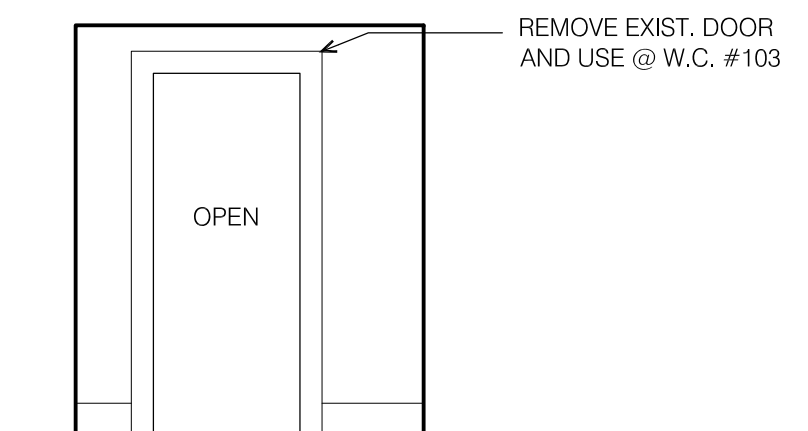
29 W.C. - 103 - N
A1.05 Scale: 1/4" = 1'-0"



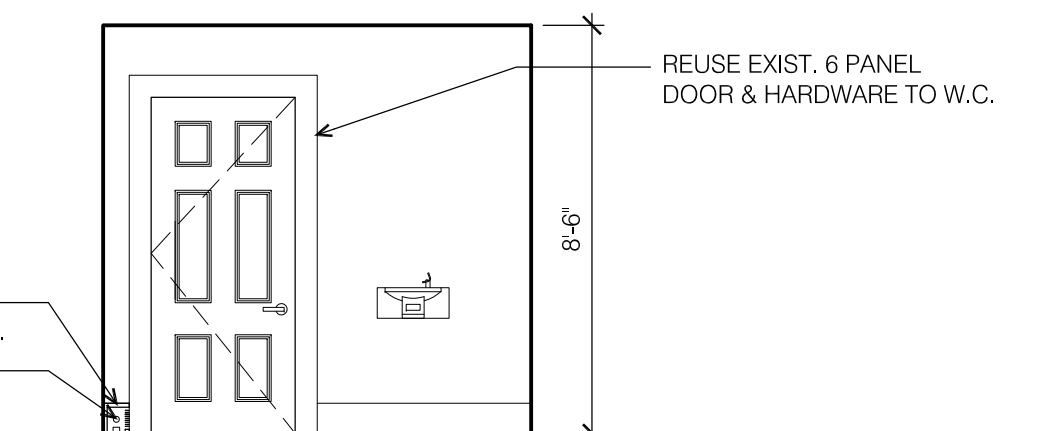
28 W.C. VESTIBULE - 102 - W
A1.05 Scale: 1/4" = 1'-0"



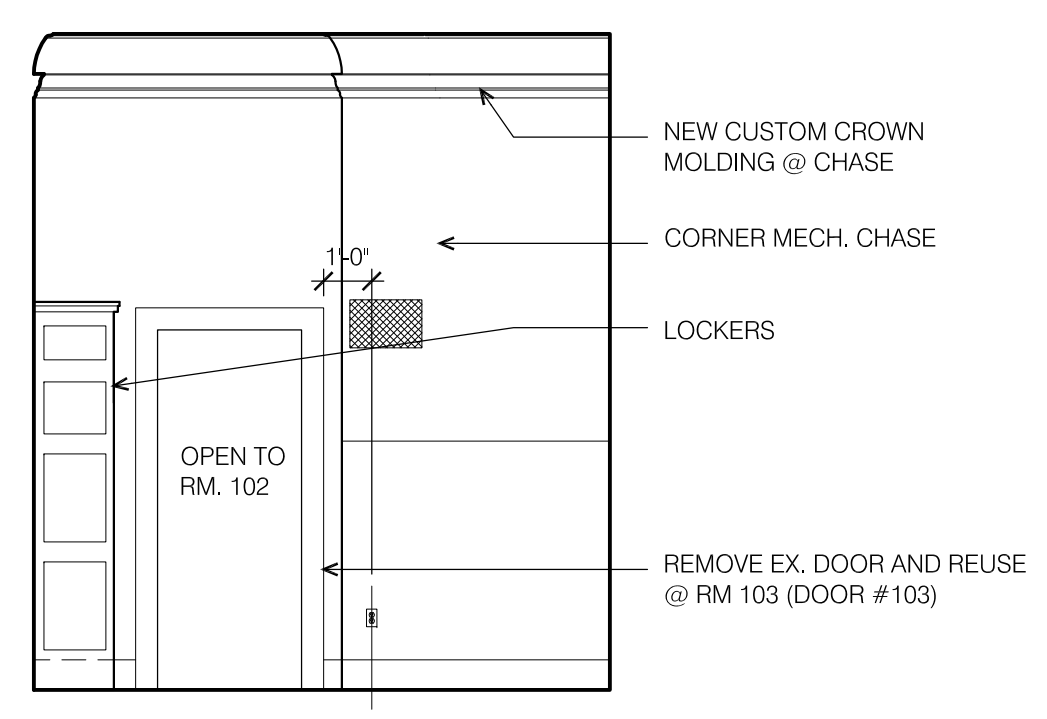
27 W.C. VESTIBULE - 102 - S
A1.05 Scale: 1/4" = 1'-0"



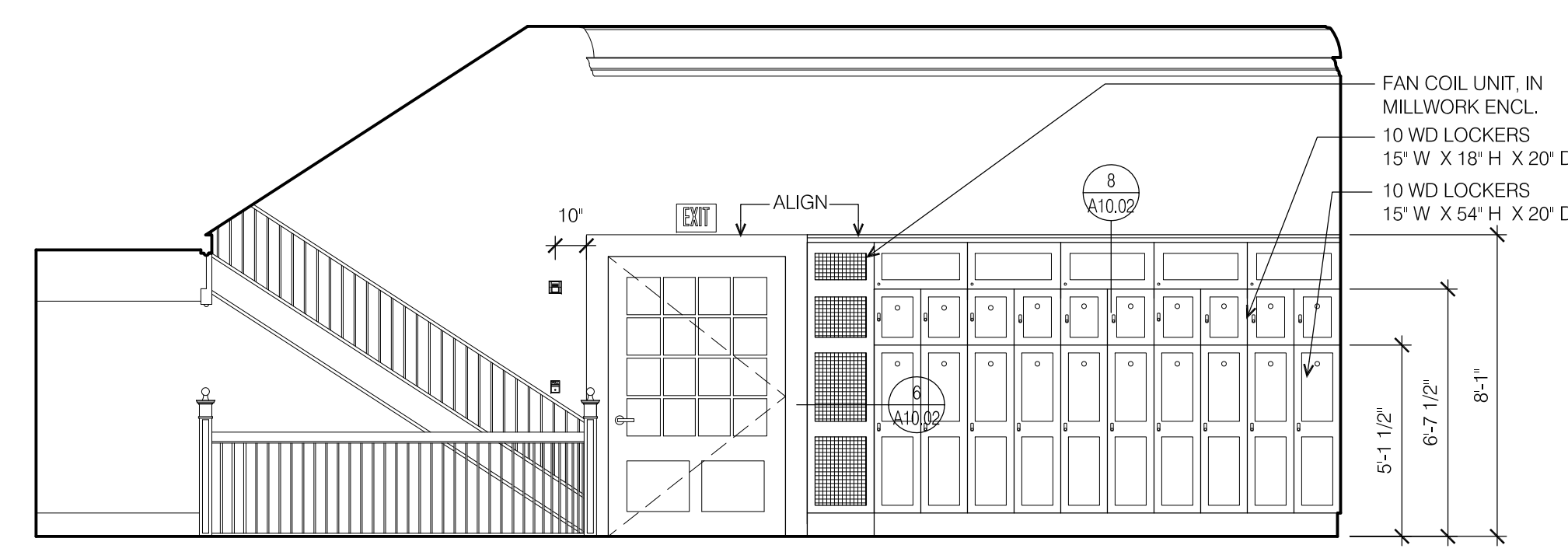
26 W.C. VESTIBULE - 102 - E
A1.05 Scale: 1/4" = 1'-0"



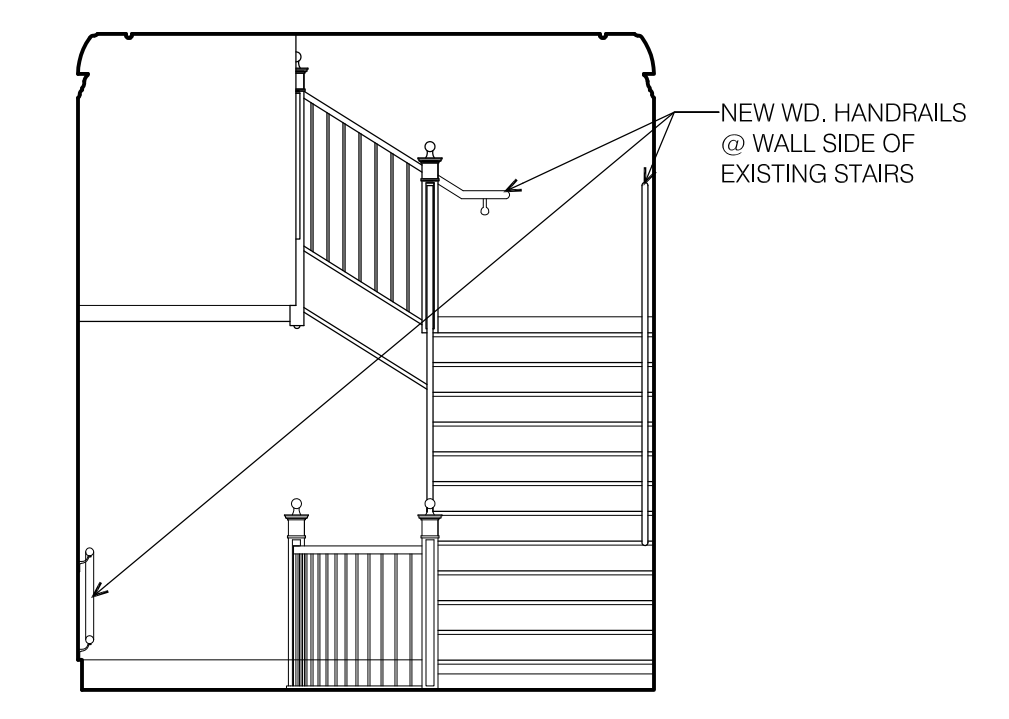
25 W.C. VEST - 102 - N
A1.05 Scale: 1/4" = 1'-0"



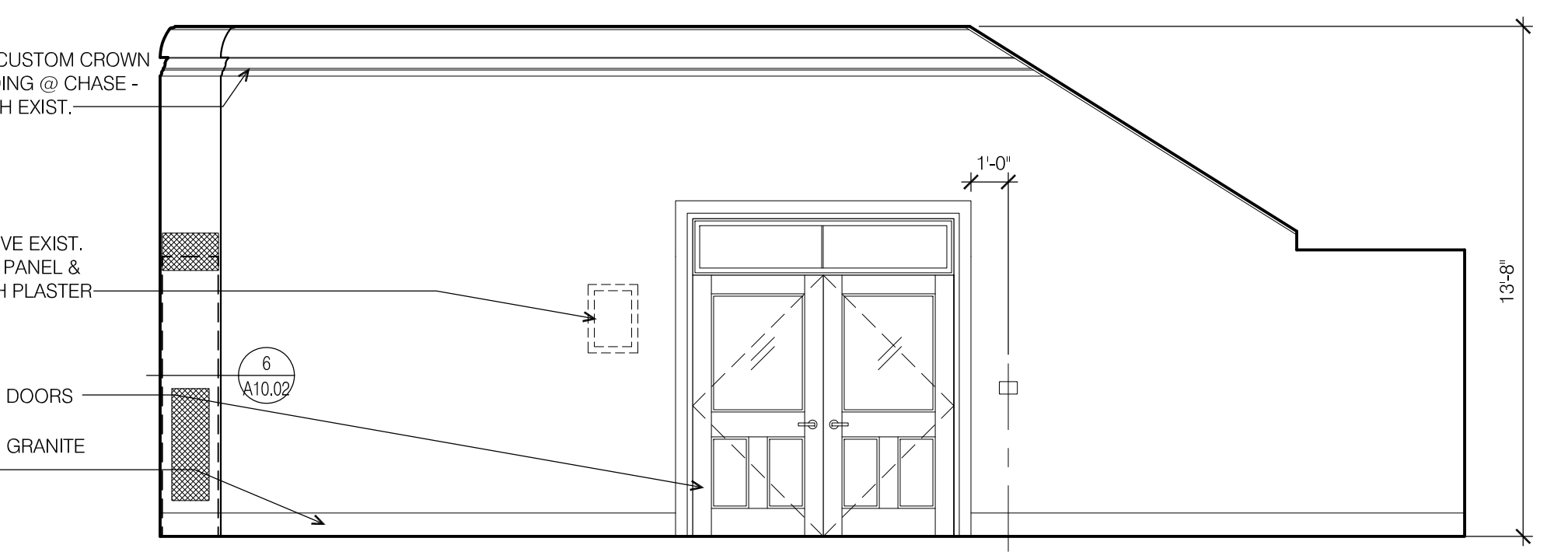
24 ENTRY - 101 - W
A1.05 Scale: 1/4" = 1'-0"



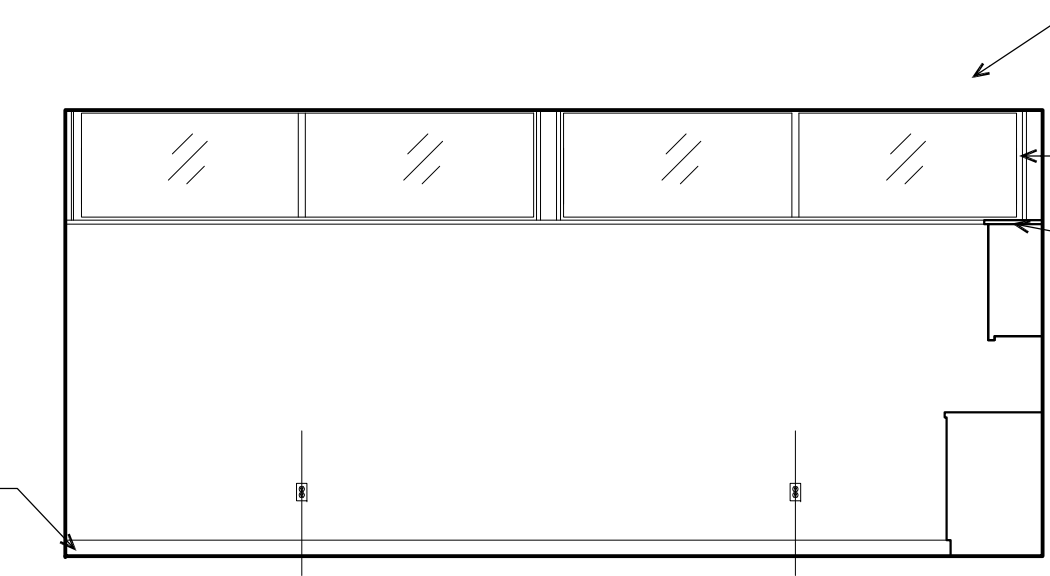
23 ENTRY - 101 - S
A1.05 Scale: 1/4" = 1'-0"



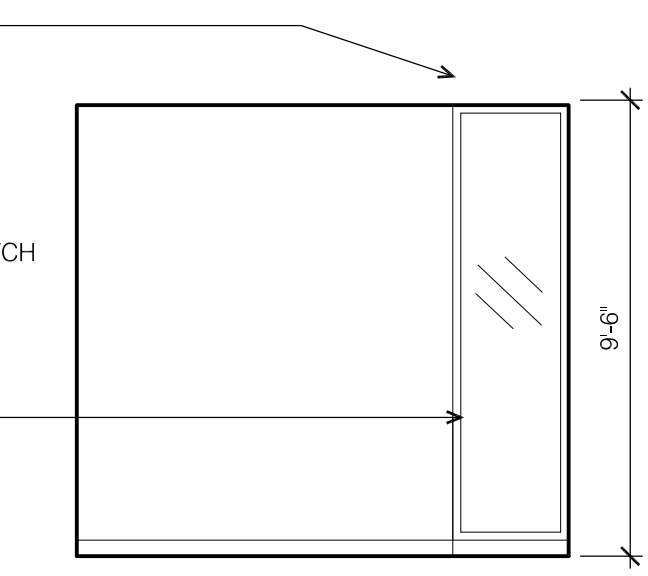
22 ENTRY - 101 - E
A1.05 Scale: 1/4" = 1'-0"



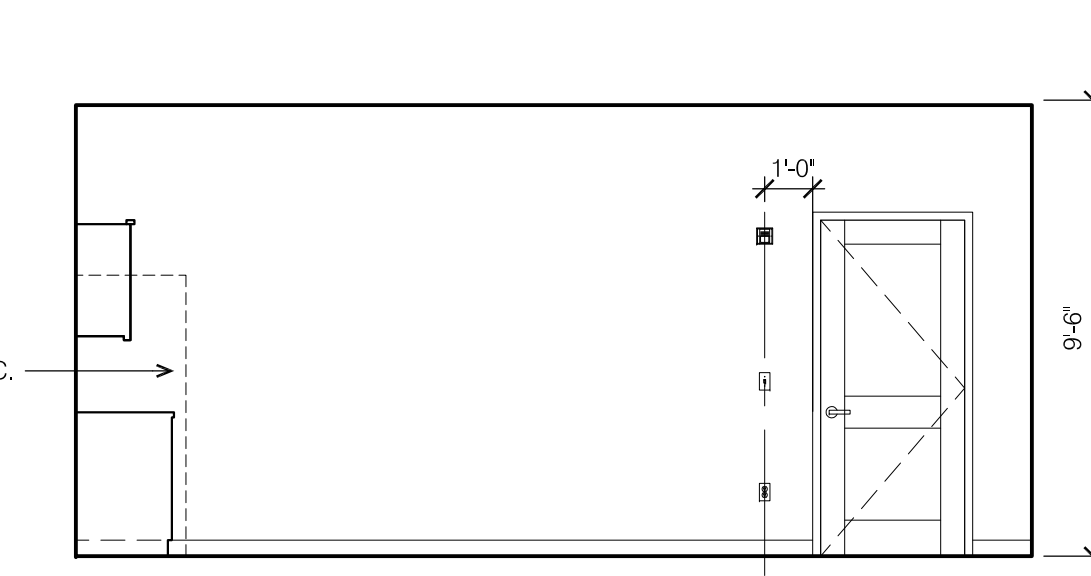
21 ENTRY - 101 - N
A1.05 Scale: 1/4" = 1'-0"



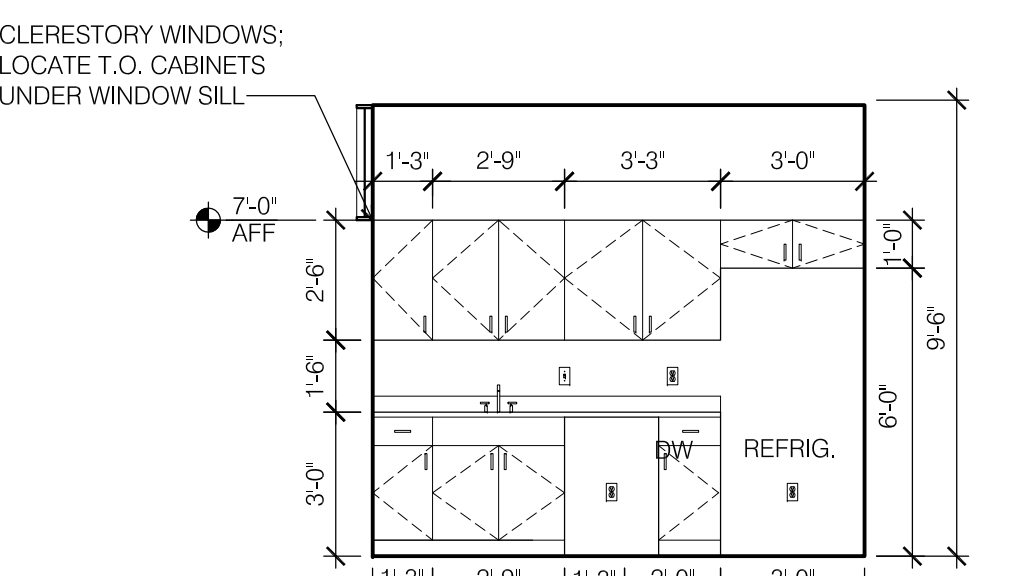
20 KITCHEN - G15 - W
A1.02 Scale: 1/4" = 1'-0"



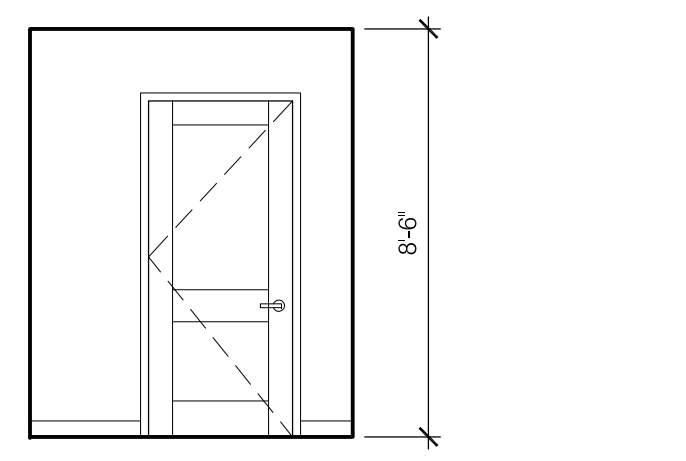
19 KITCHEN - G15 - S
A1.02 Scale: 1/4" = 1'-0"



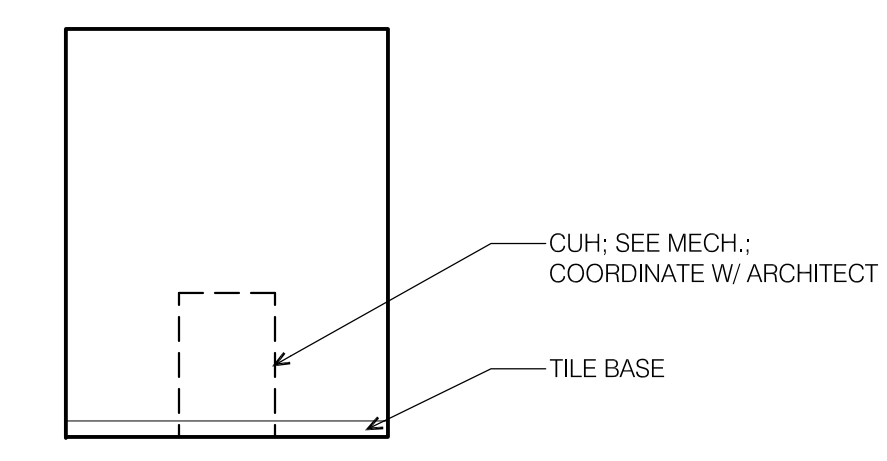
18 KITCHEN - G15 - E
A1.02 Scale: 1/4" = 1'-0"



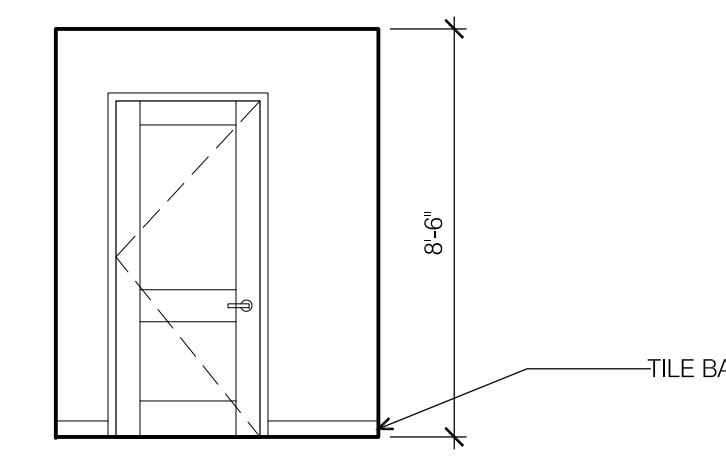
17 KITCHEN - G15 - N
A1.02 Scale: 1/4" = 1'-0"



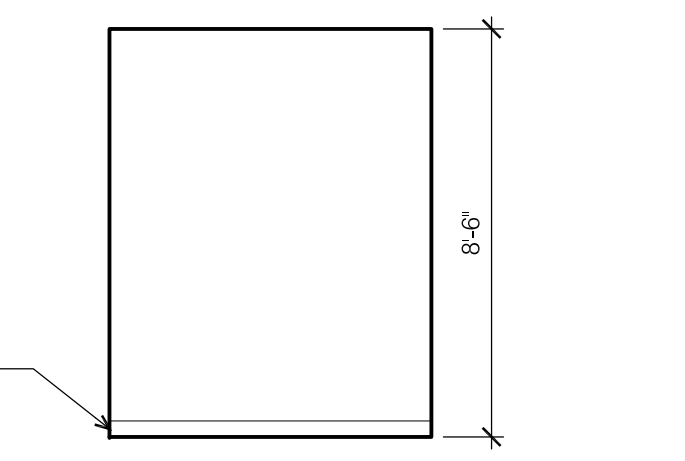
16 ENTRY VEST - G13 - W
A1.02 Scale: 1/4" = 1'-0"



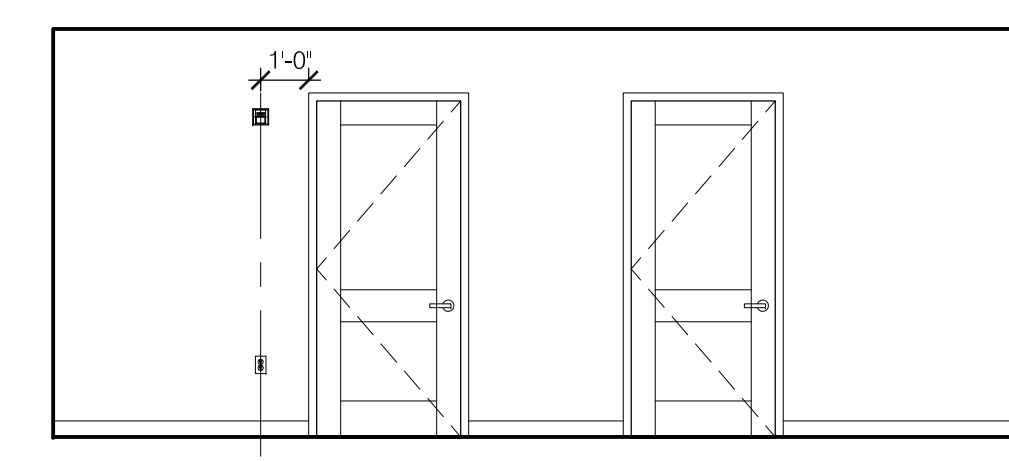
15 ENTRY VEST - G13 - S
A1.02 Scale: 1/4" = 1'-0"



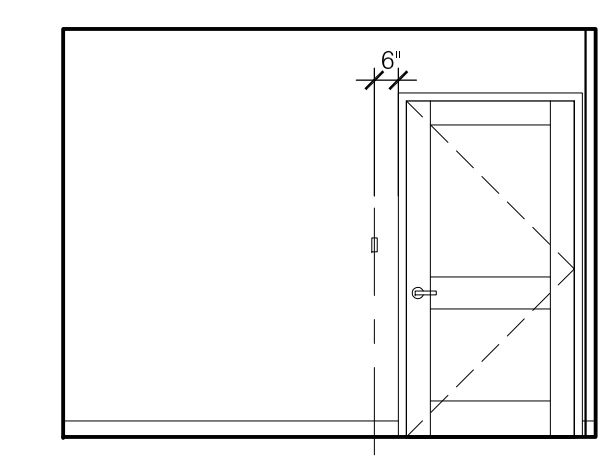
14 ENTRY VEST - G13 - E
A1.02 Scale: 1/4" = 1'-0"



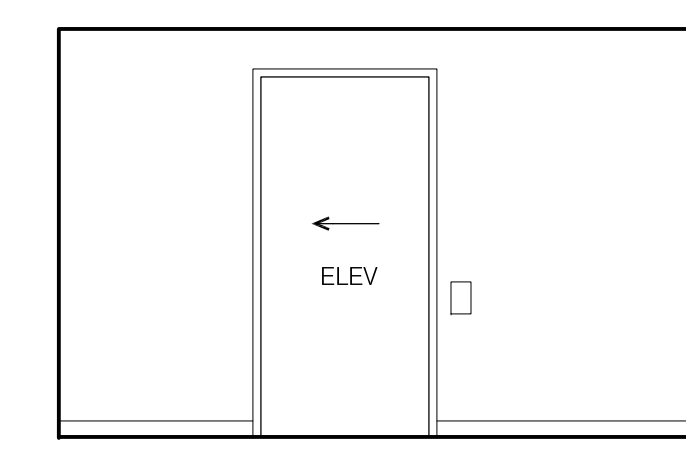
13 ENTRY VEST - G13 - N
A1.02 Scale: 1/4" = 1'-0"



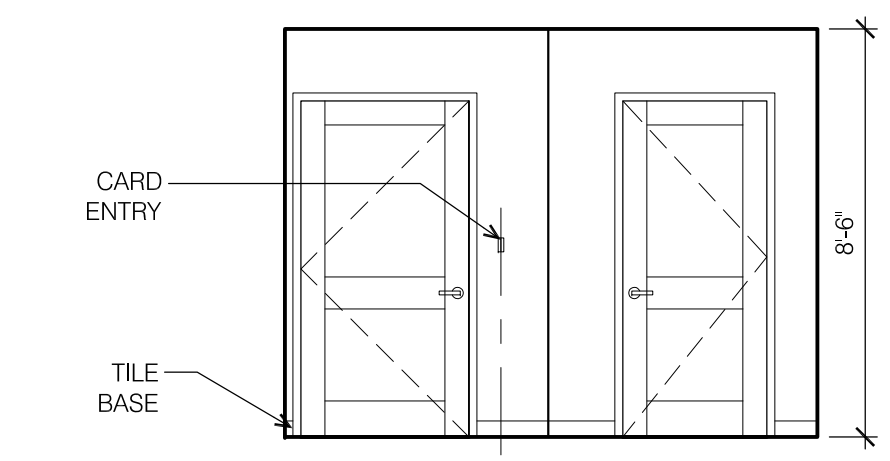
12 ELEV WAIT. - G12 - W
A1.02 Scale: 1/4" = 1'-0"



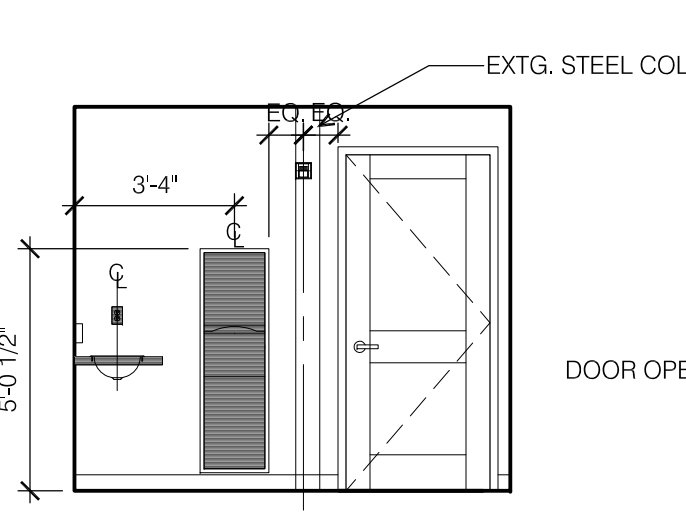
11 ELEV WAIT. - G12 - S
A1.02 Scale: 1/4" = 1'-0"



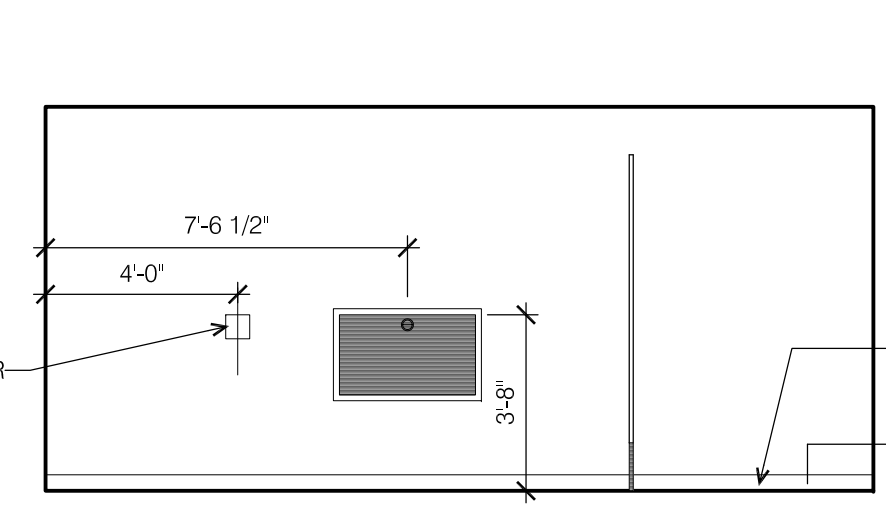
10 ELEV WAIT. - G12 - E
A1.02 Scale: 1/4" = 1'-0"



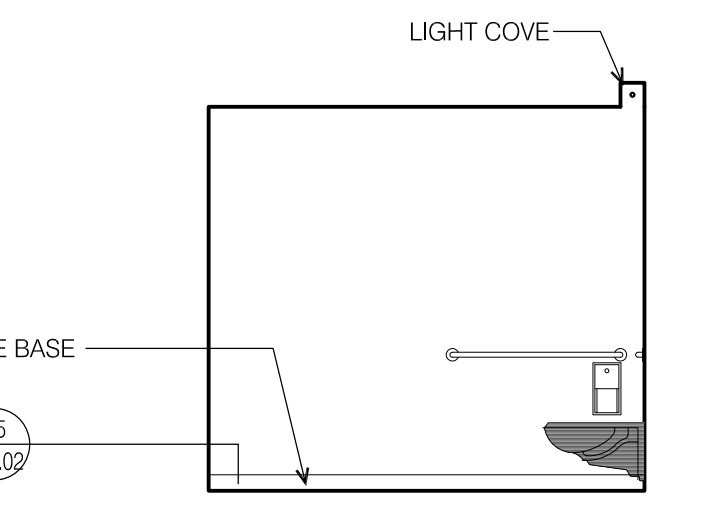
9 ELEV WAIT. - G12 - N
A1.02 Scale: 1/4" = 1'-0"



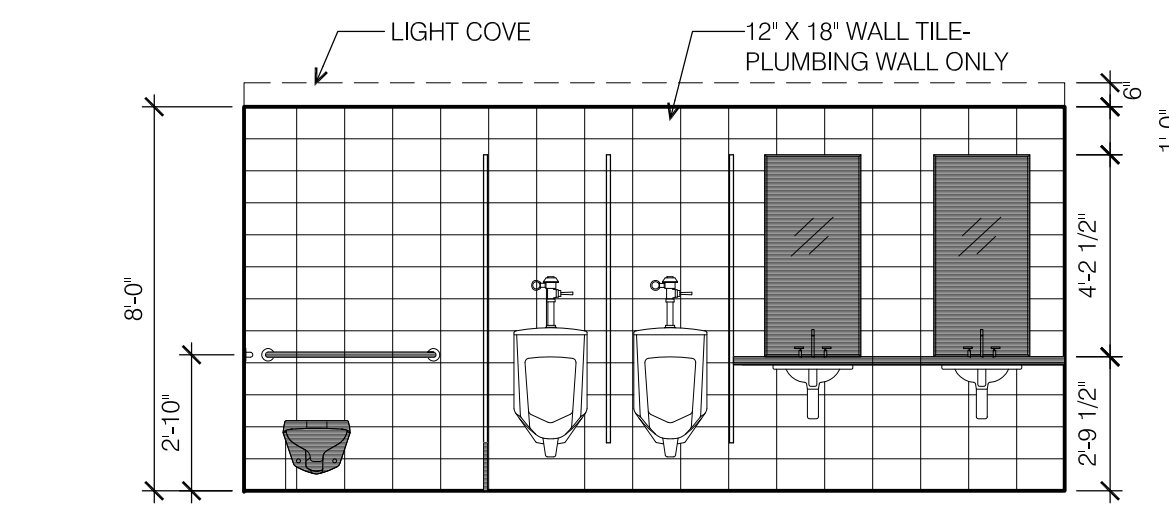
8 MEN - GO6 - W
A1.03 Scale: 1/4" = 1'-0"



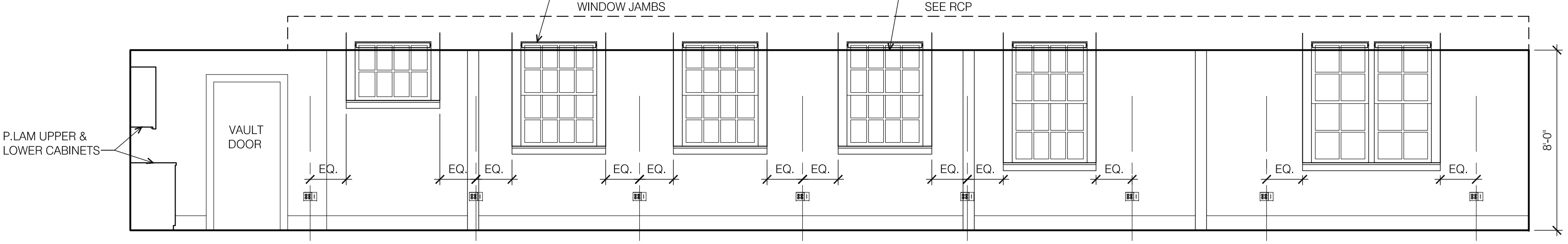
7 MEN - GO6 - N
A1.03 Scale: 1/4" = 1'-0"



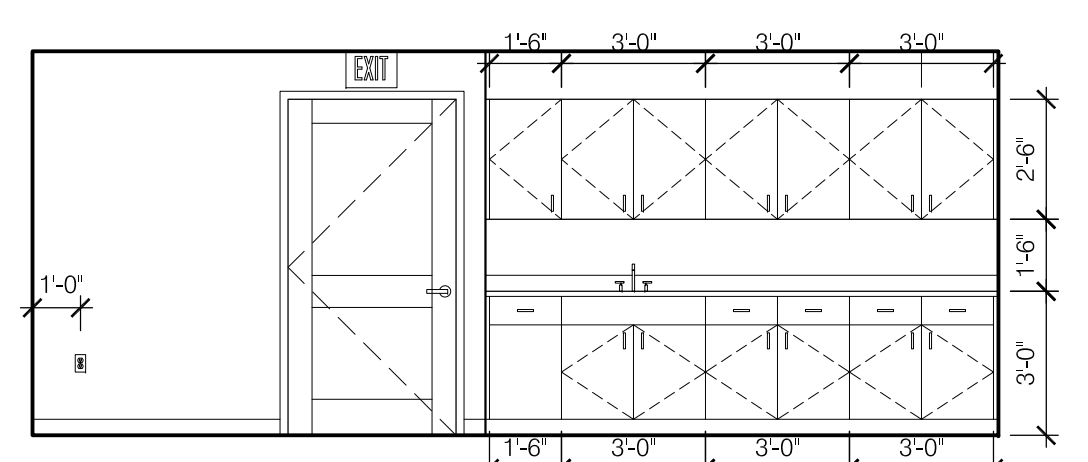
6 MEN - GO6 - E
A1.03 Scale: 1/4" = 1'-0"



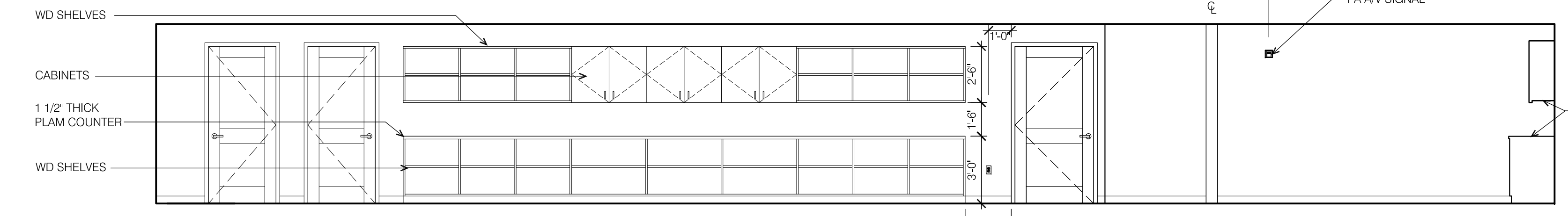
5 MEN - GO6 - S
A1.03 Scale: 1/4" = 1'-0"



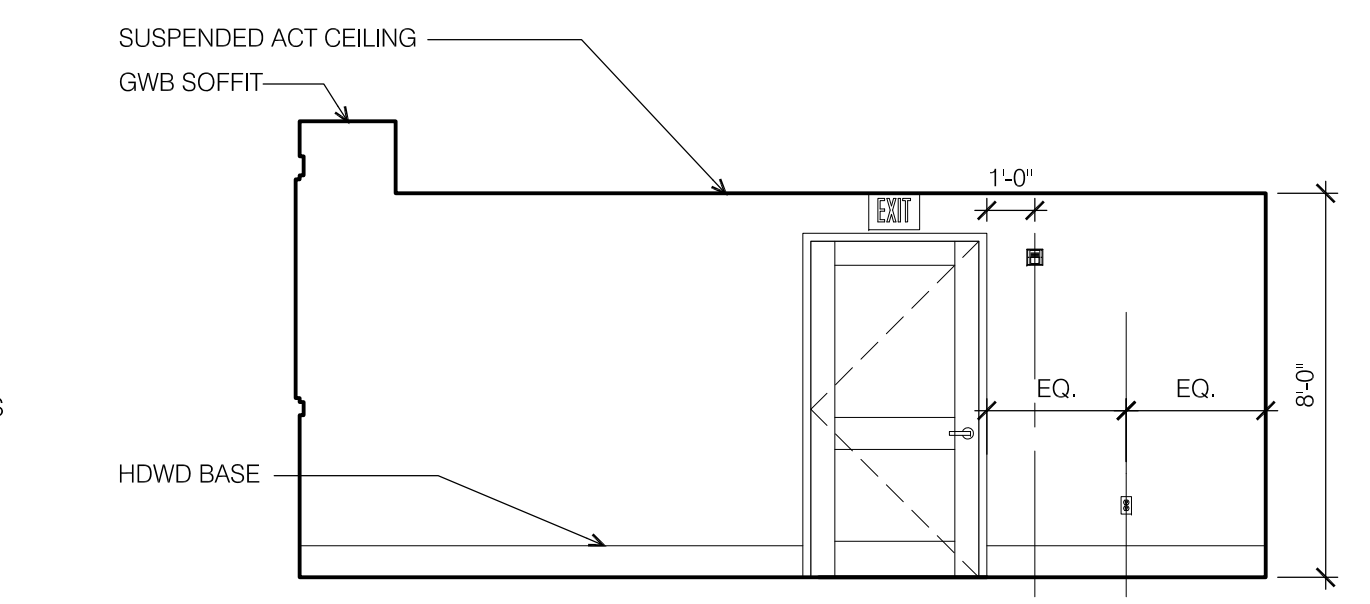
4 TECH SERVICES - GO5 - W
A1.03 Scale: 1/4" = 1'-0"



3 TECH SERVICES - GO5 - S
A1.03 Scale: 1/4" = 1'-0"



2 TECH SERVICES - GO5 - E
A1.03 Scale: 1/4" = 1'-0"



1 TECH SERVICES - GO5 - N
A1.03 Scale: 1/4" = 1'-0"

DRAWING NUMBER: A9.01; DATE: 09/13/07; REVISIONS; PROJECT: MAINE HISTORICAL SOCIETY; ARCHITECTS: SCHWARTZ / SILVER ARCHITECTS INC.; CONSULTANTS: SCHWARTZ / SILVER ARCHITECTS INC.; PROJECT: MAINE HISTORICAL SOCIETY; ARCHITECTS: SCHWARTZ / SILVER ARCHITECTS INC.; CONSULTANTS: SCHWARTZ / SILVER ARCHITECTS INC.

DRAWING TITLE: INTERIOR ELEVATIONS; PROJECT: MAINE HISTORICAL SOCIETY; ARCHITECTS: SCHWARTZ / SILVER ARCHITECTS INC.; CONSULTANTS: SCHWARTZ / SILVER ARCHITECTS INC.; PROJECT: MAINE HISTORICAL SOCIETY; ARCHITECTS: SCHWARTZ / SILVER ARCHITECTS INC.; CONSULTANTS: SCHWARTZ / SILVER ARCHITECTS INC.

A9.01