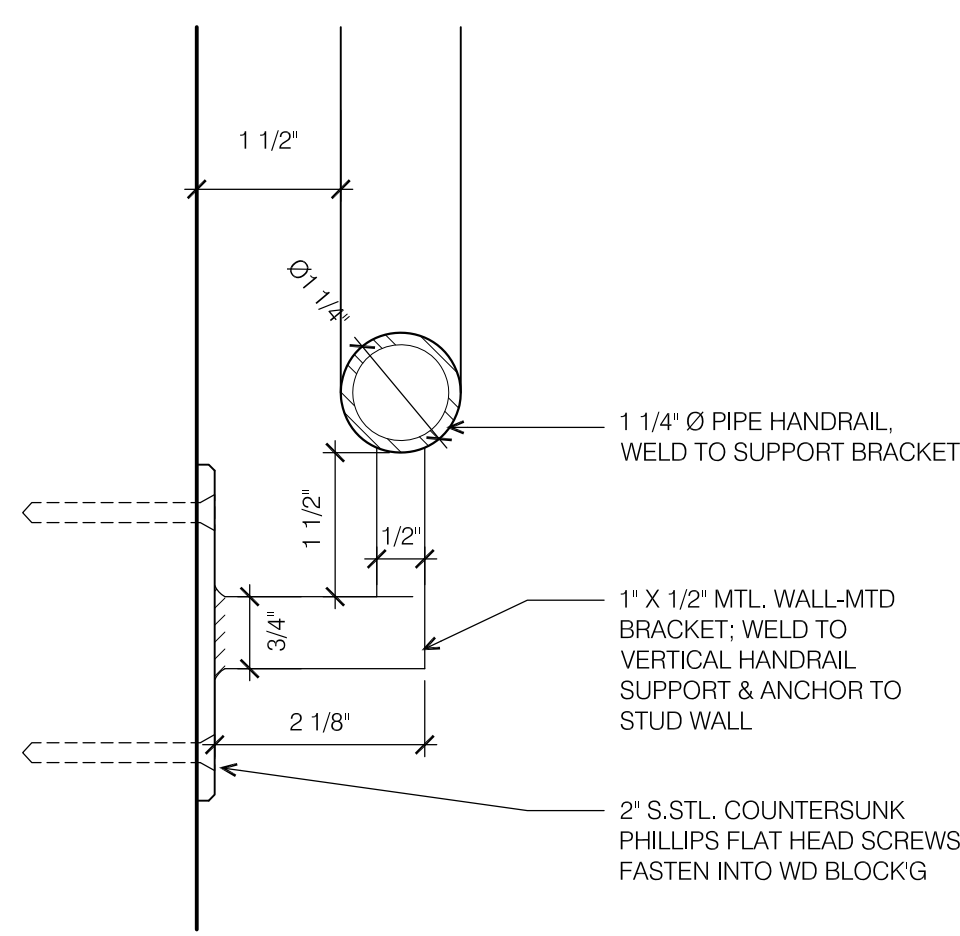
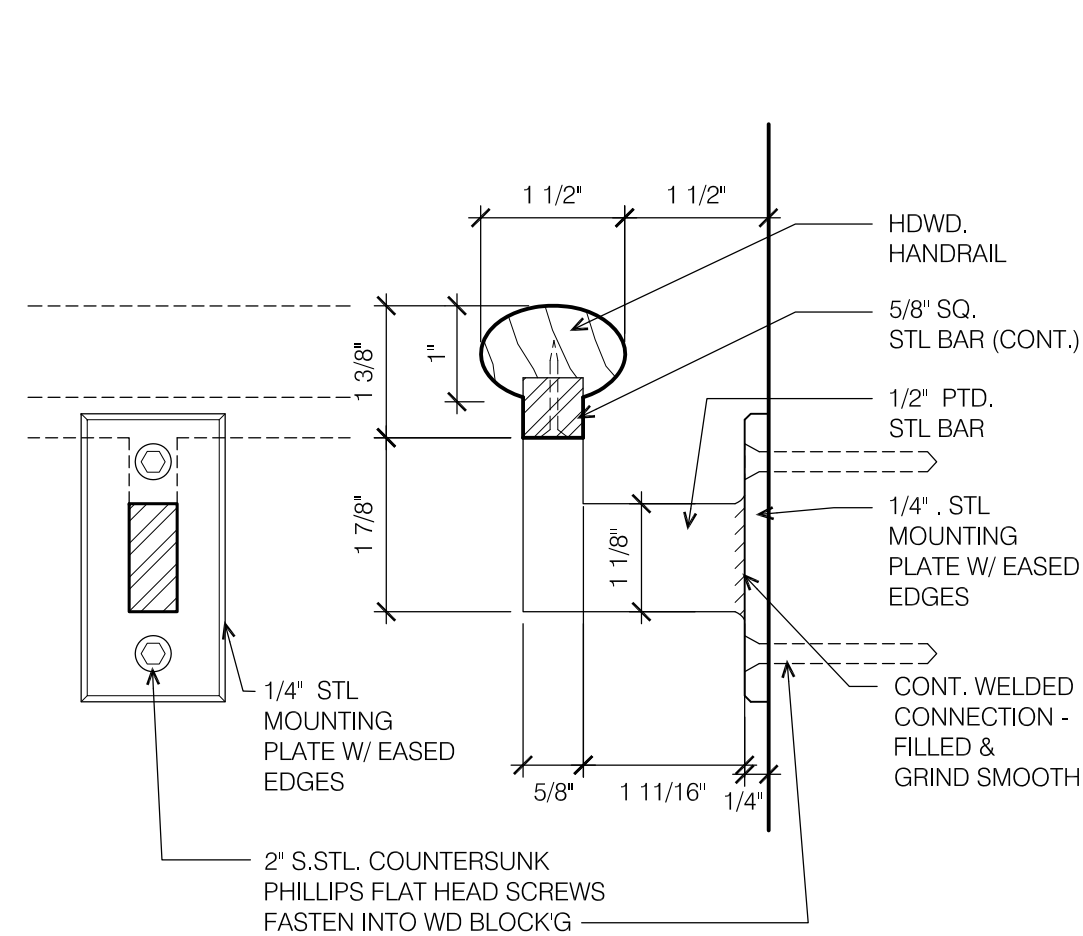


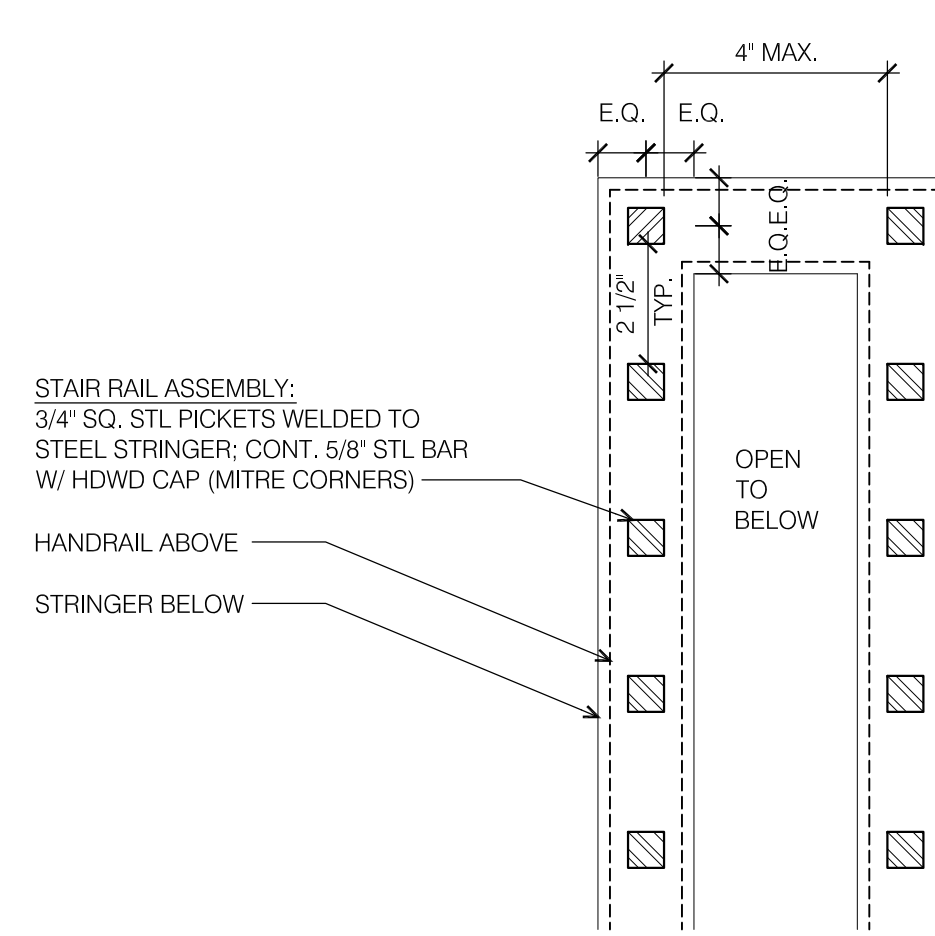
**23 HEAD @ ELEV (JAMB, SIM.)**  
A8.01 Scale: 1 1/2"=1'-0"



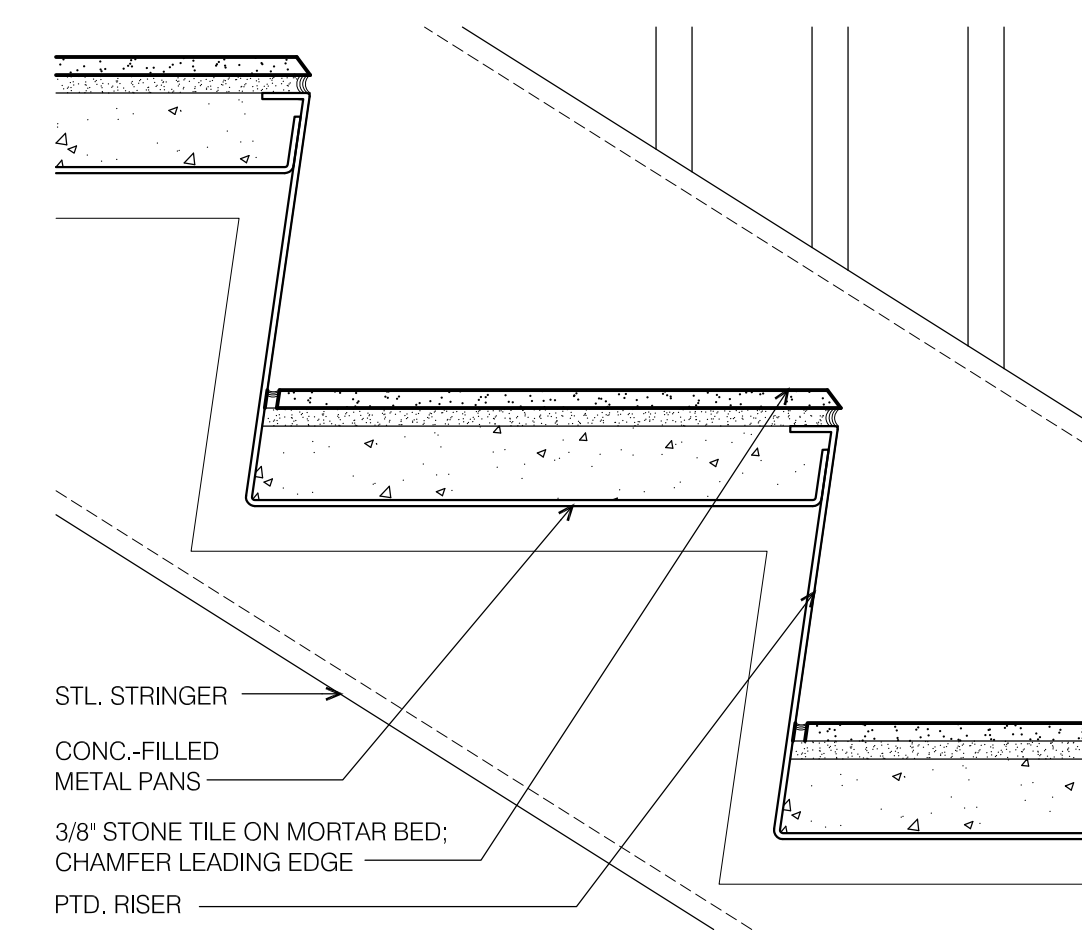
**20 DETAIL @ MTL PIPE HANDRAIL**  
6" = 1'-0" Scale:



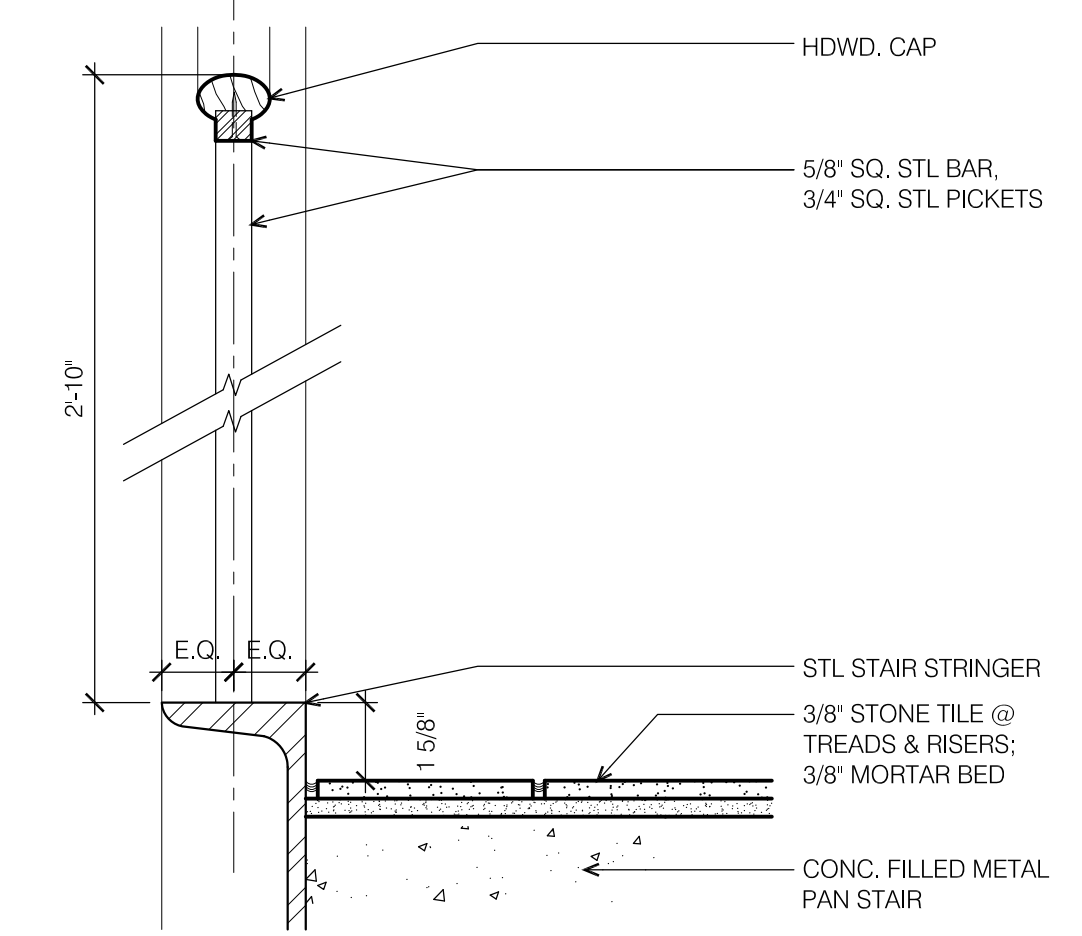
**15 DETAIL @ WD-CAPPED HANDRAIL**  
6" = 1'-0" Scale:



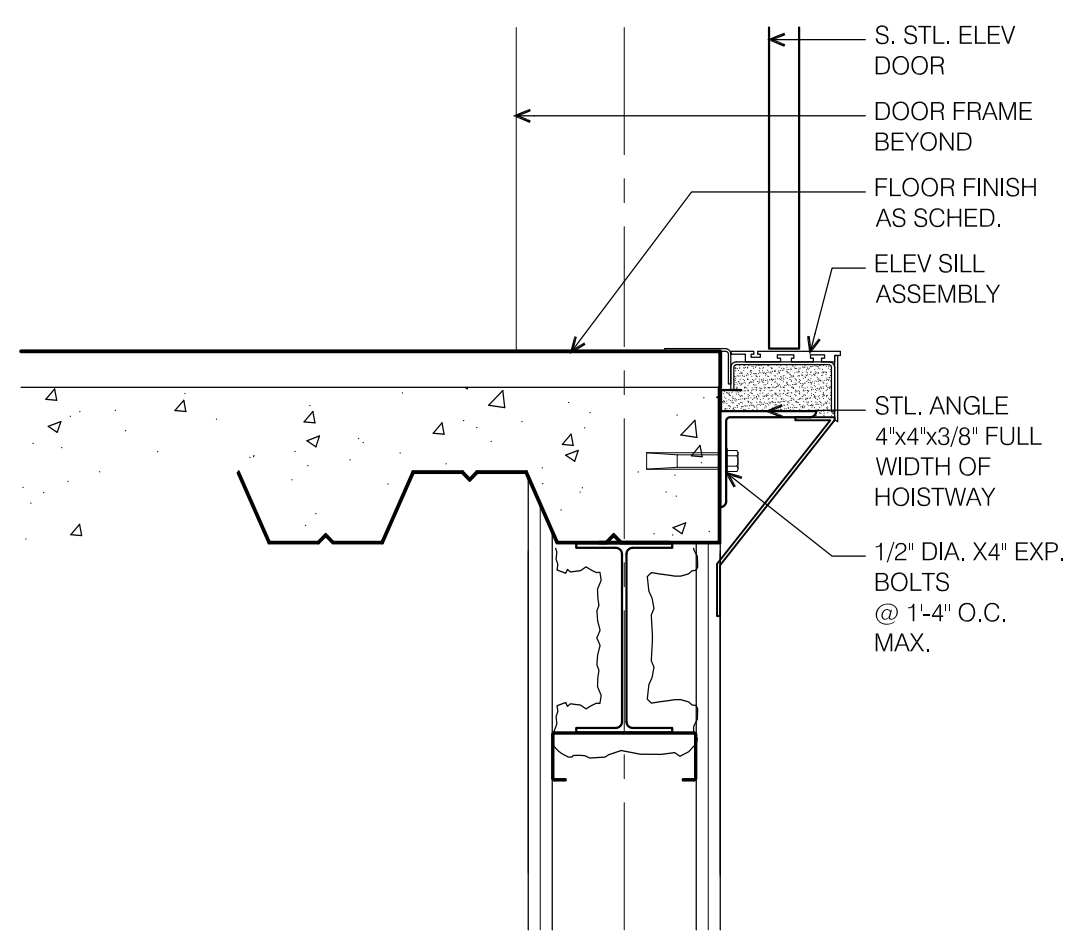
**12 PLAN DETAIL @ RAIL, TYP.**  
3" = 1'-0" Scale:



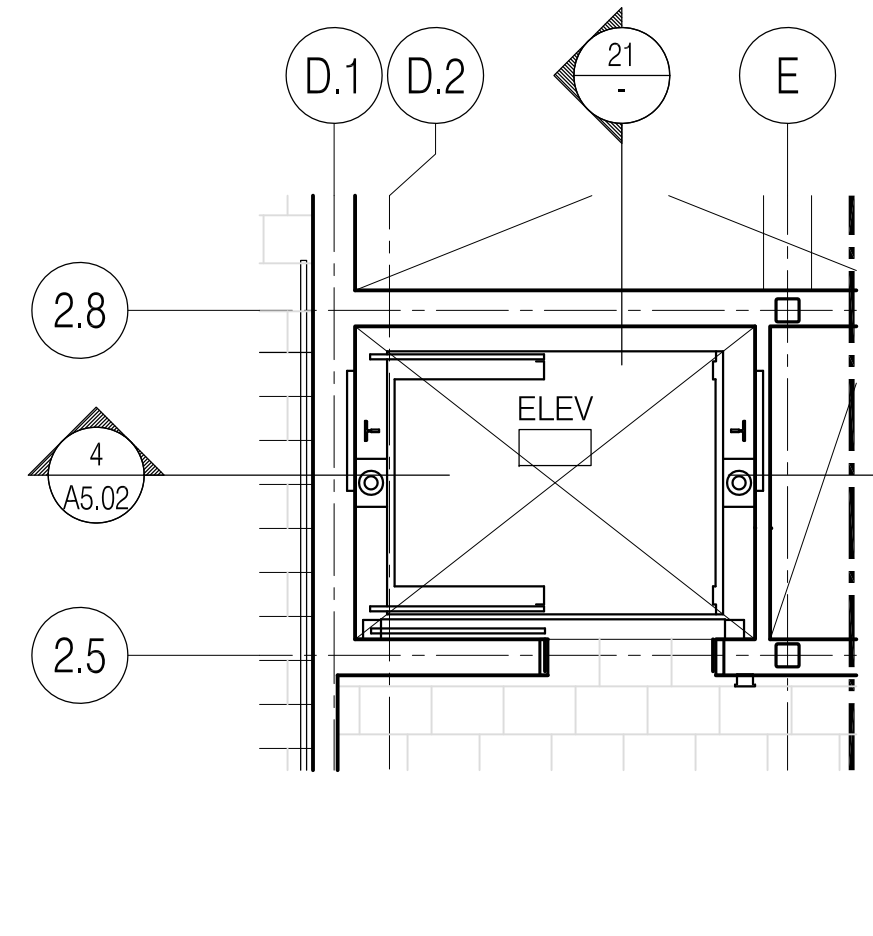
**8 SECTION DETAIL @ STAIRS**  
3" = 1'-0" Scale:



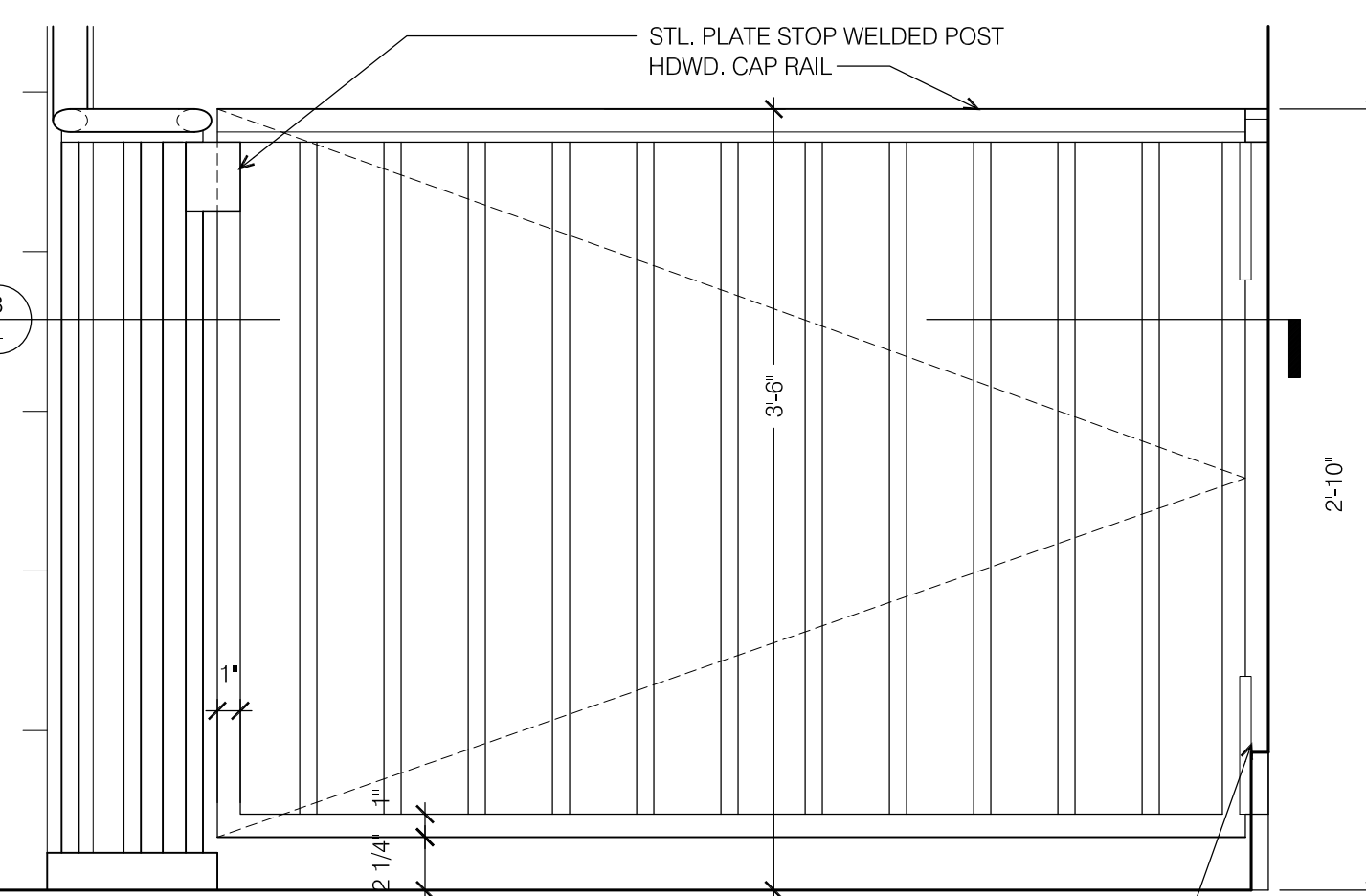
**4 SECTION DETAIL @ HANDRAIL**  
3" = 1'-0" Scale:



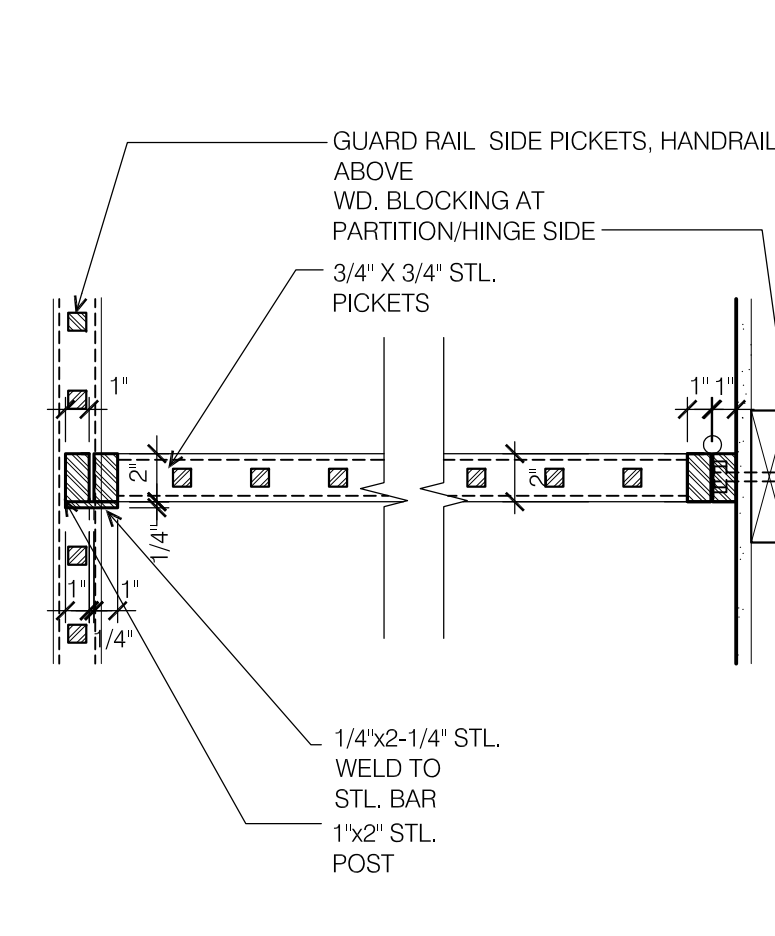
**22 SILL @ ELEV, TYP.**  
A8.01 Scale: 1 1/2"=1'-0"



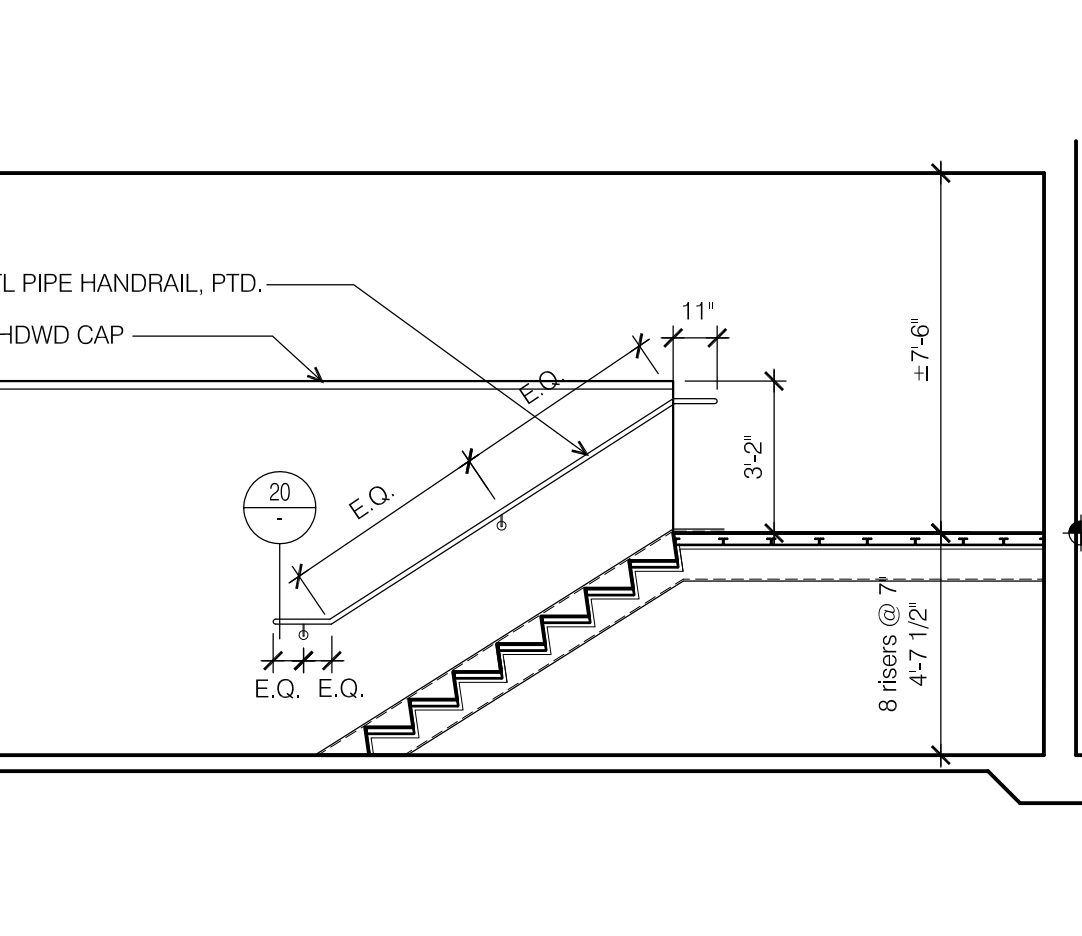
**19 ELEV. PLAN - SECOND FLOOR**  
A8.01 Scale: 1/4"=1'-0"



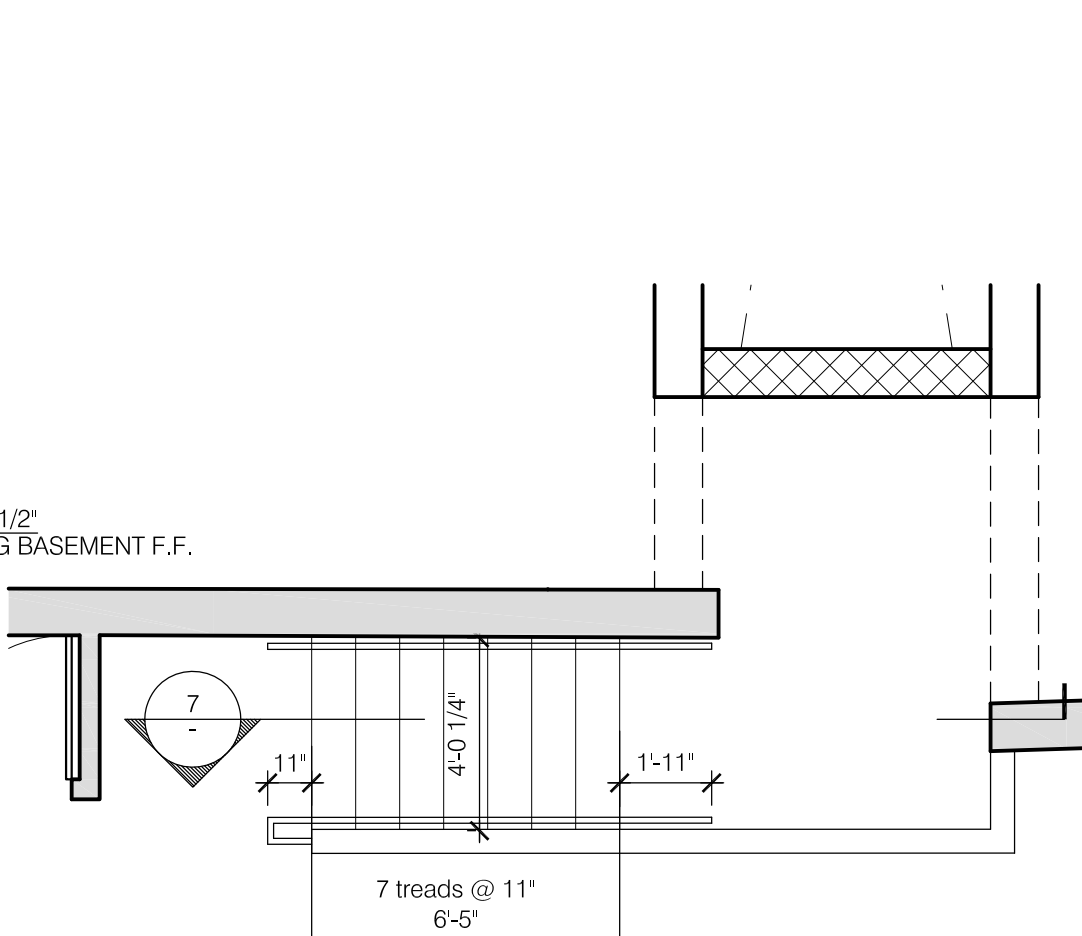
**14 PLAN DTL @ STAIR 2 GATE**  
A8.01/A8.01 Scale: 1 1/2"=1'-0"



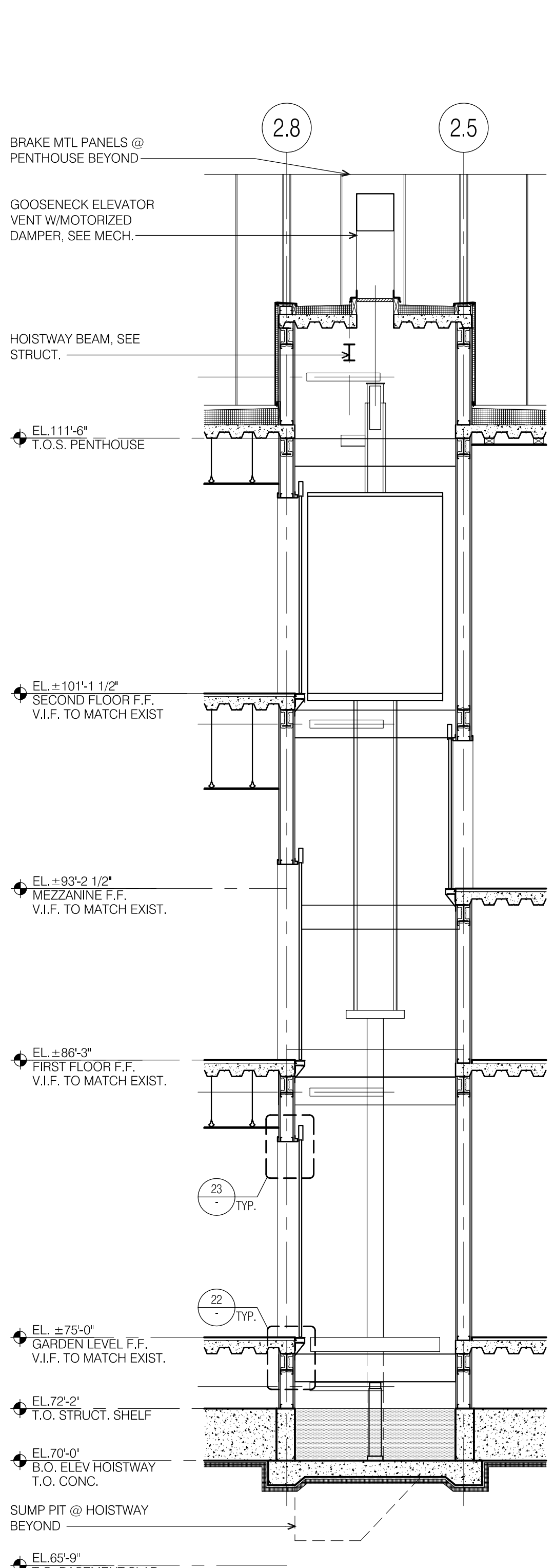
**11 PLAN DTL @ STAIR 2 GATE**  
A8.01/A8.01 Scale: 1 1/2"=1'-0"



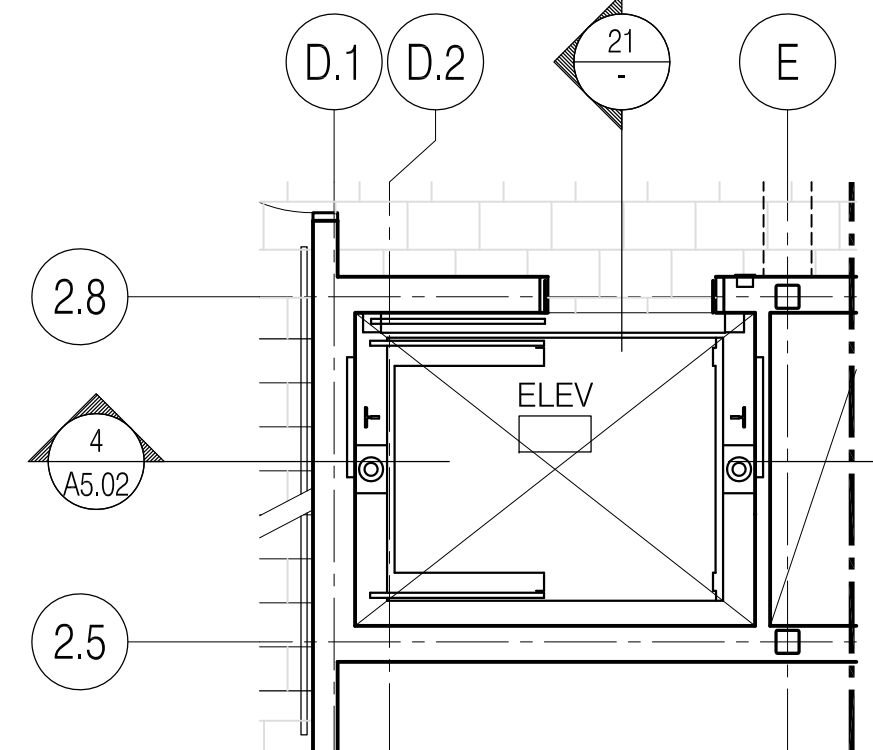
**7 [ALTERNATE 3] SECTION @ STAIR 04**  
A8.01/A8.01 Scale: 1/4"=1'-0"



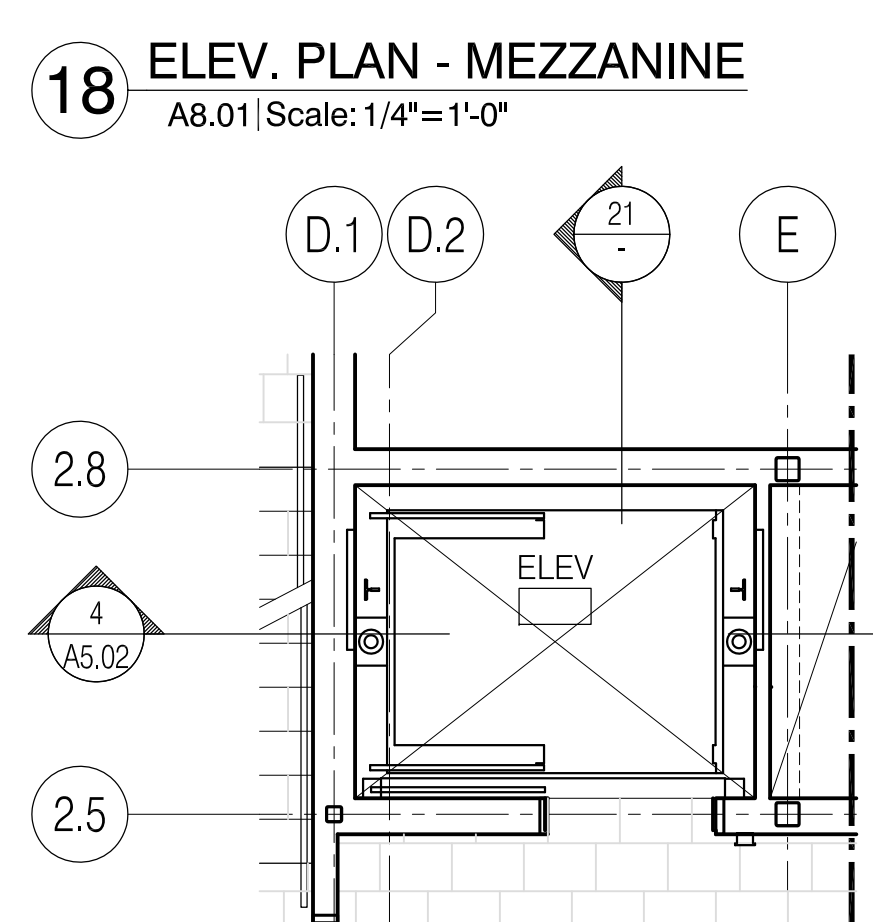
**3 [ALTERNATE 3] PLAN @ STAIR 04**  
A8.01/A1.03 Scale: 1/4"=1'-0"



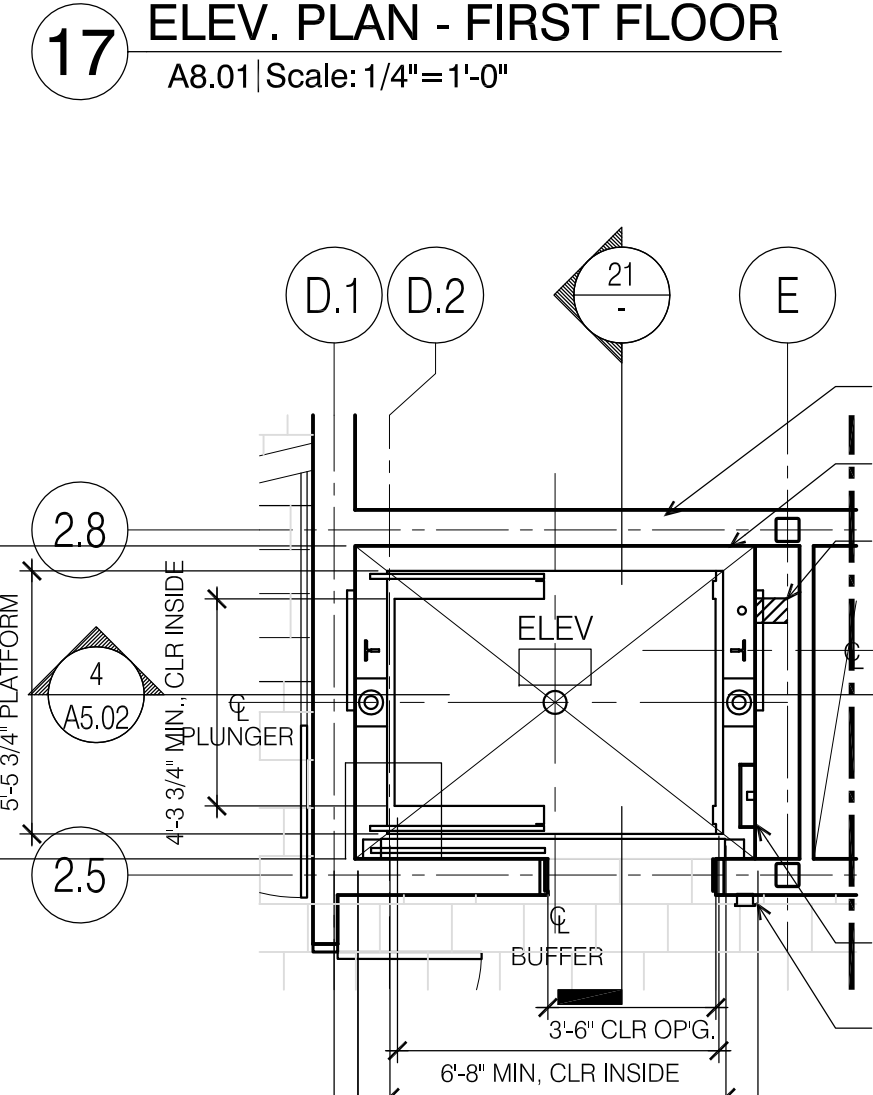
**21 E-W SECTION @ ELEV HOISTWAY**  
A8.01 Scale: 1/4"=1'-0"



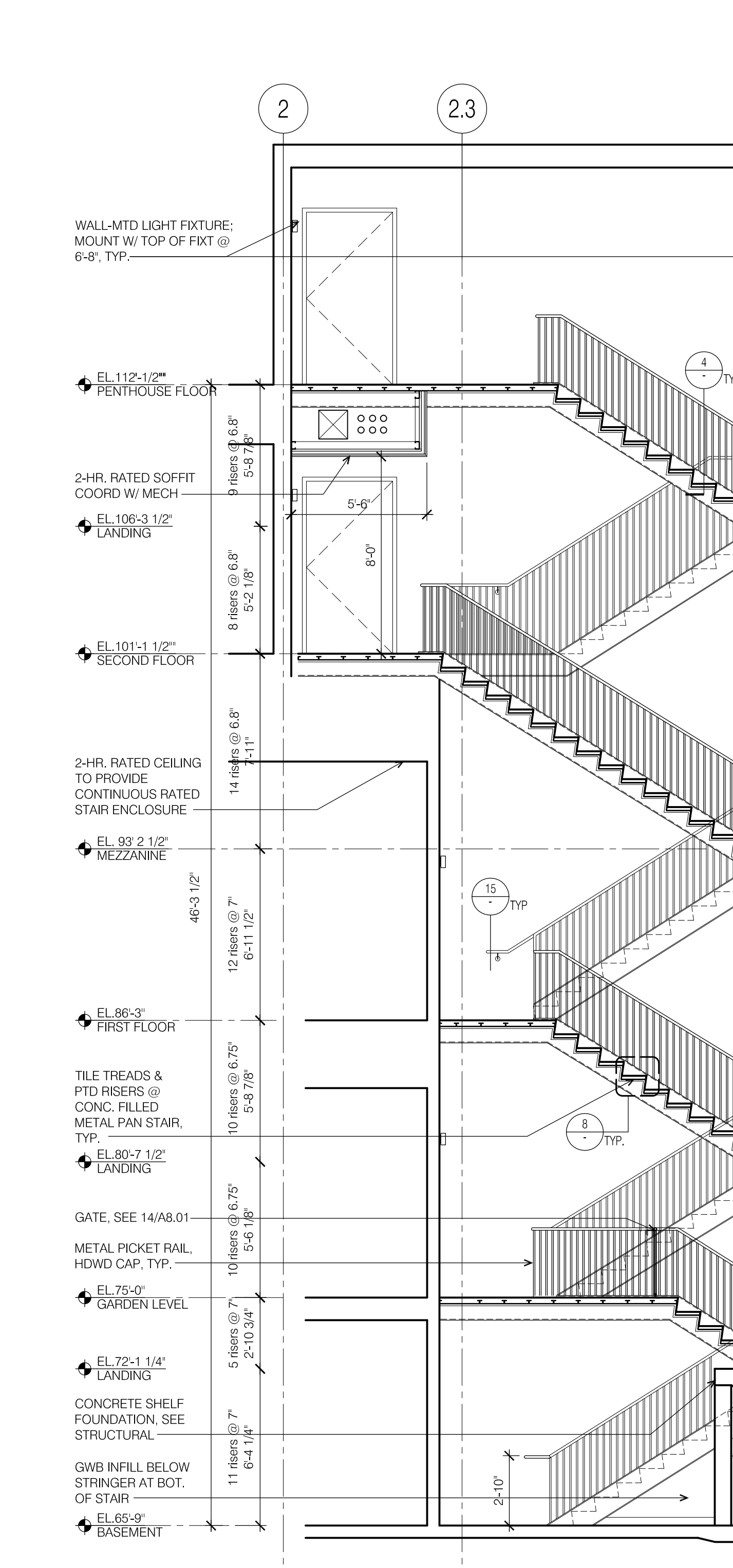
**18 ELEV. PLAN - MEZZANINE**  
A8.01 Scale: 1/4"=1'-0"



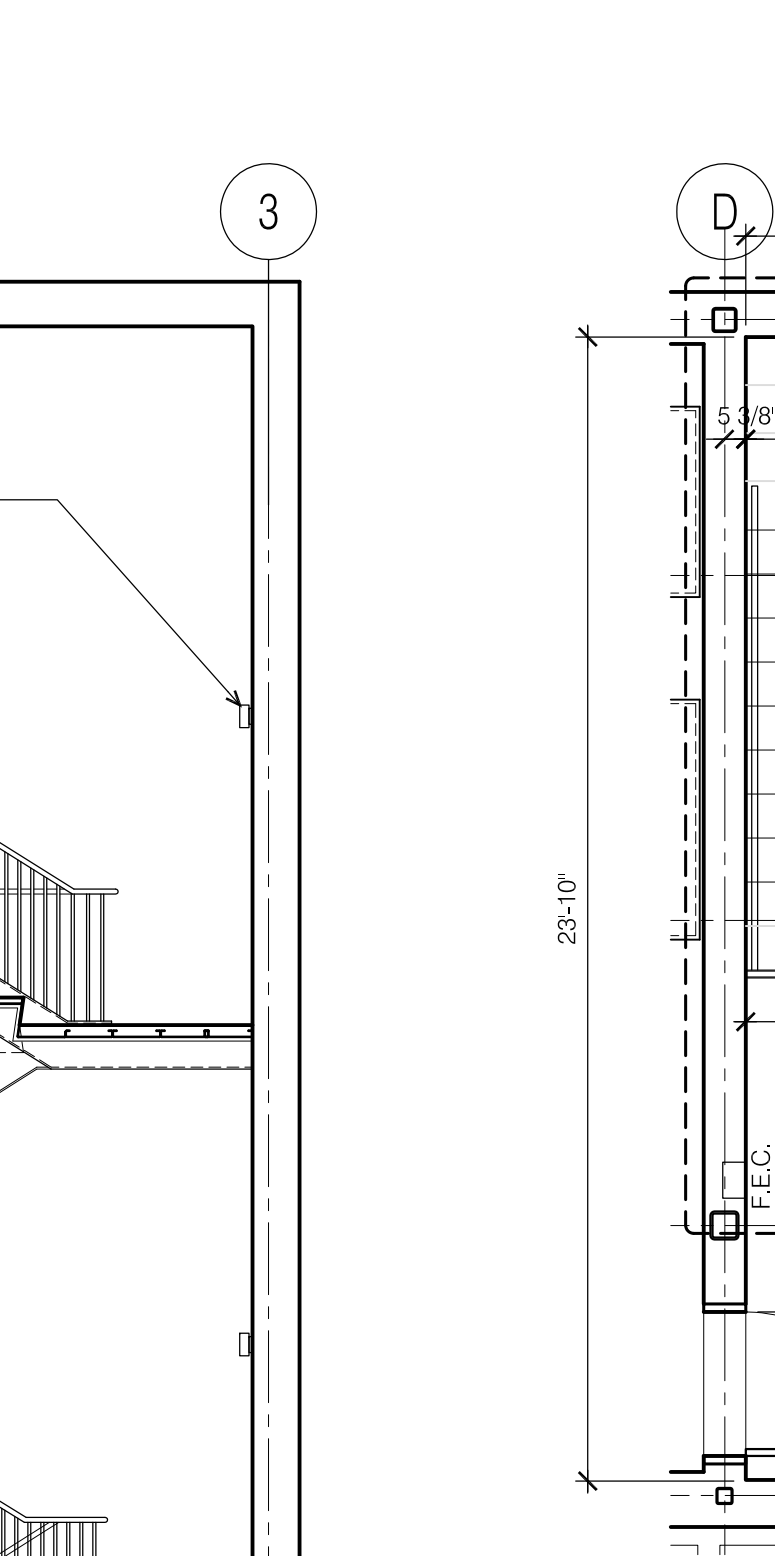
**17 ELEV. PLAN - FIRST FLOOR**  
A8.01 Scale: 1/4"=1'-0"



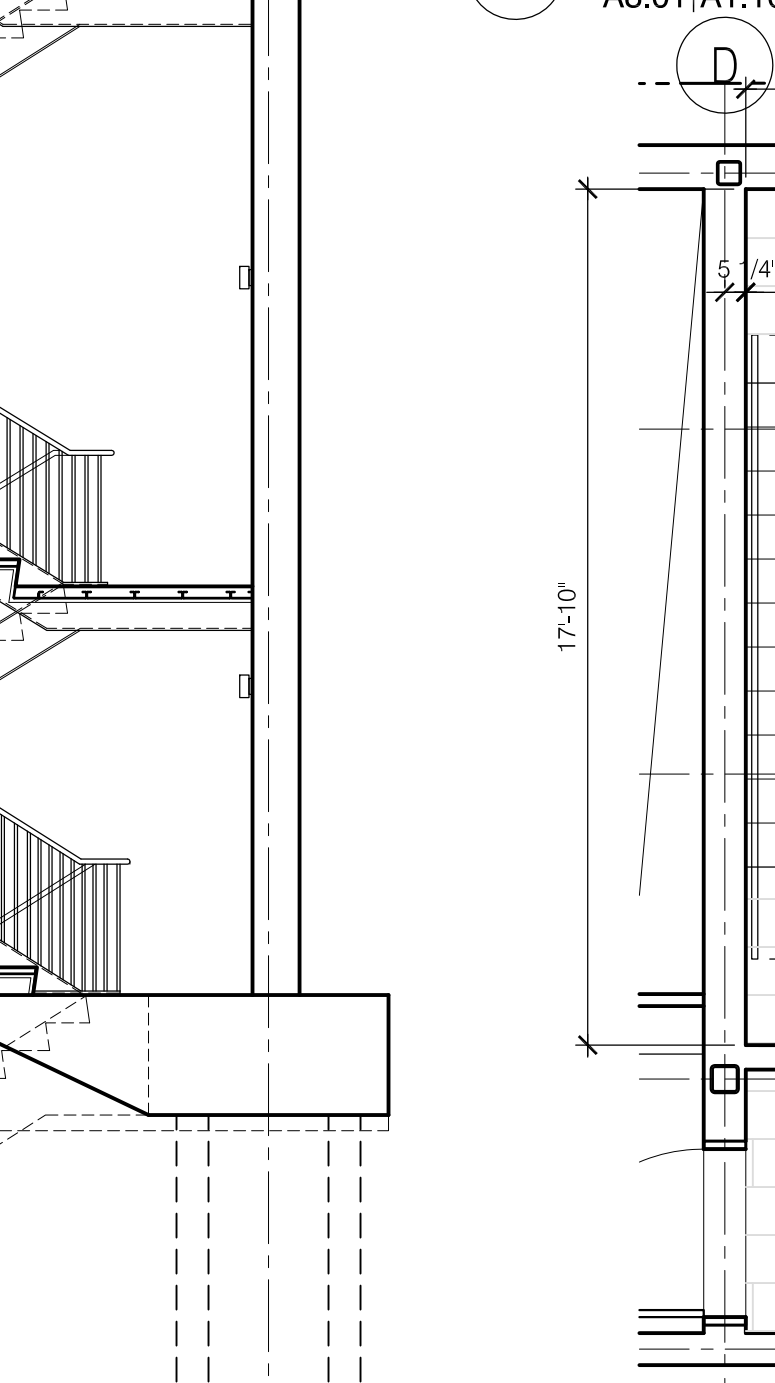
**16 ELEV. PLAN - GARDEN LEVEL**  
A8.01 Scale: 1/4"=1'-0"



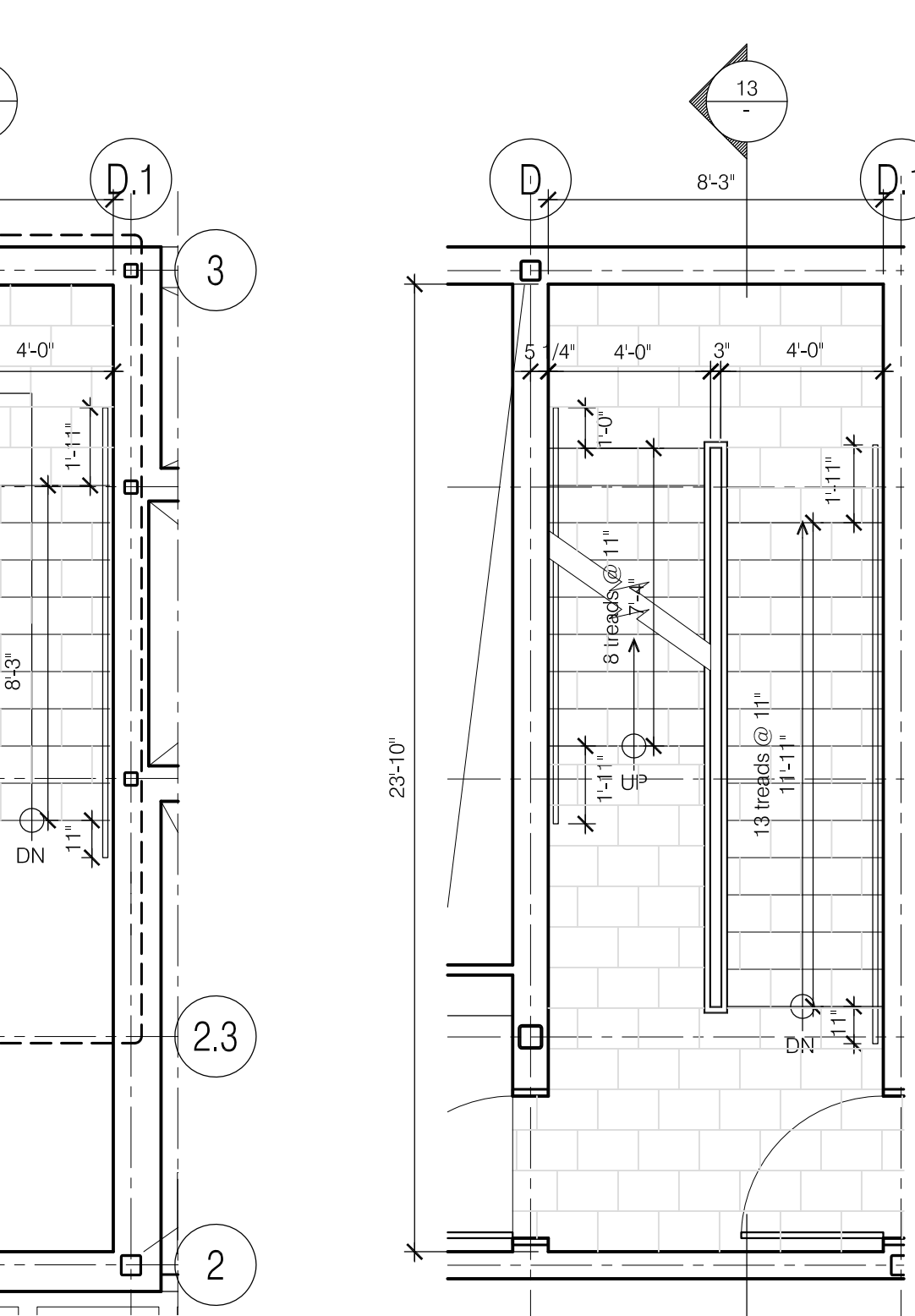
**13 SECTION @ STAIR 02**  
A8.01/A5.02 Scale: 1/4"=1'-0"



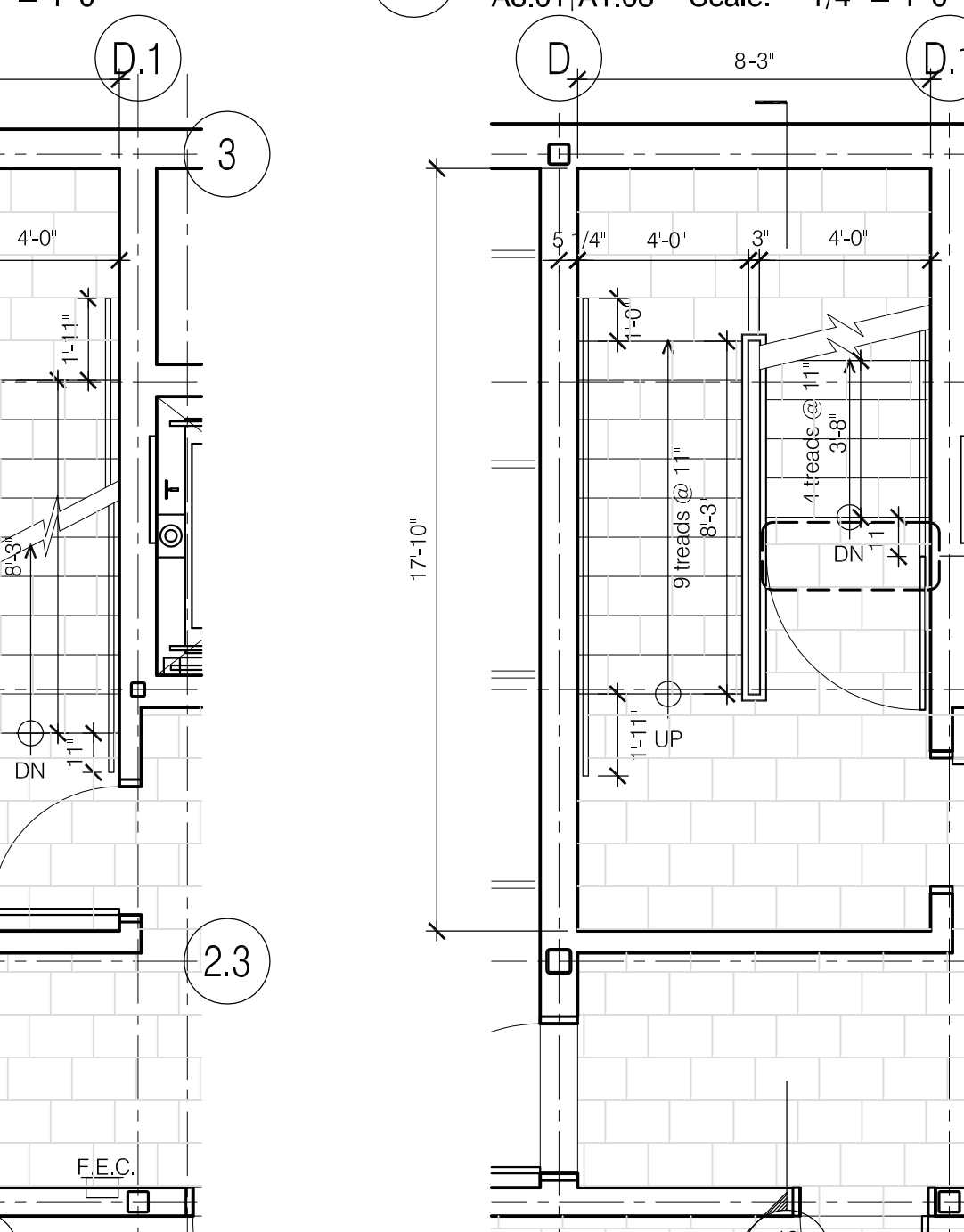
**10 PLAN @ STAIR 02 MECH. PENT.**  
A8.01/A1.10 Scale: 1/4"=1'-0"



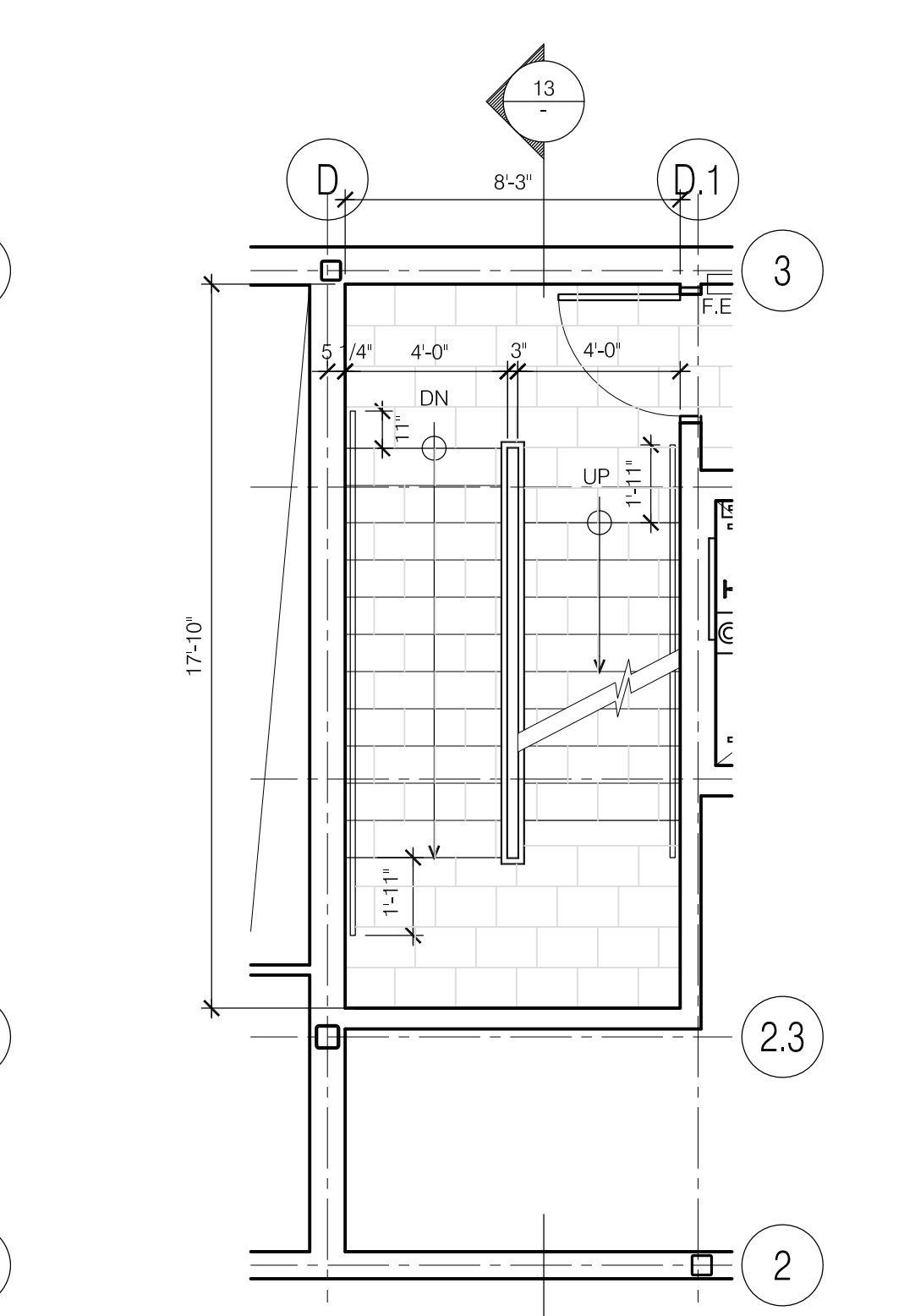
**9 PLAN @ STAIR 02 FIRST FLR**  
A8.01/A1.04 Scale: 1/4"=1'-0"



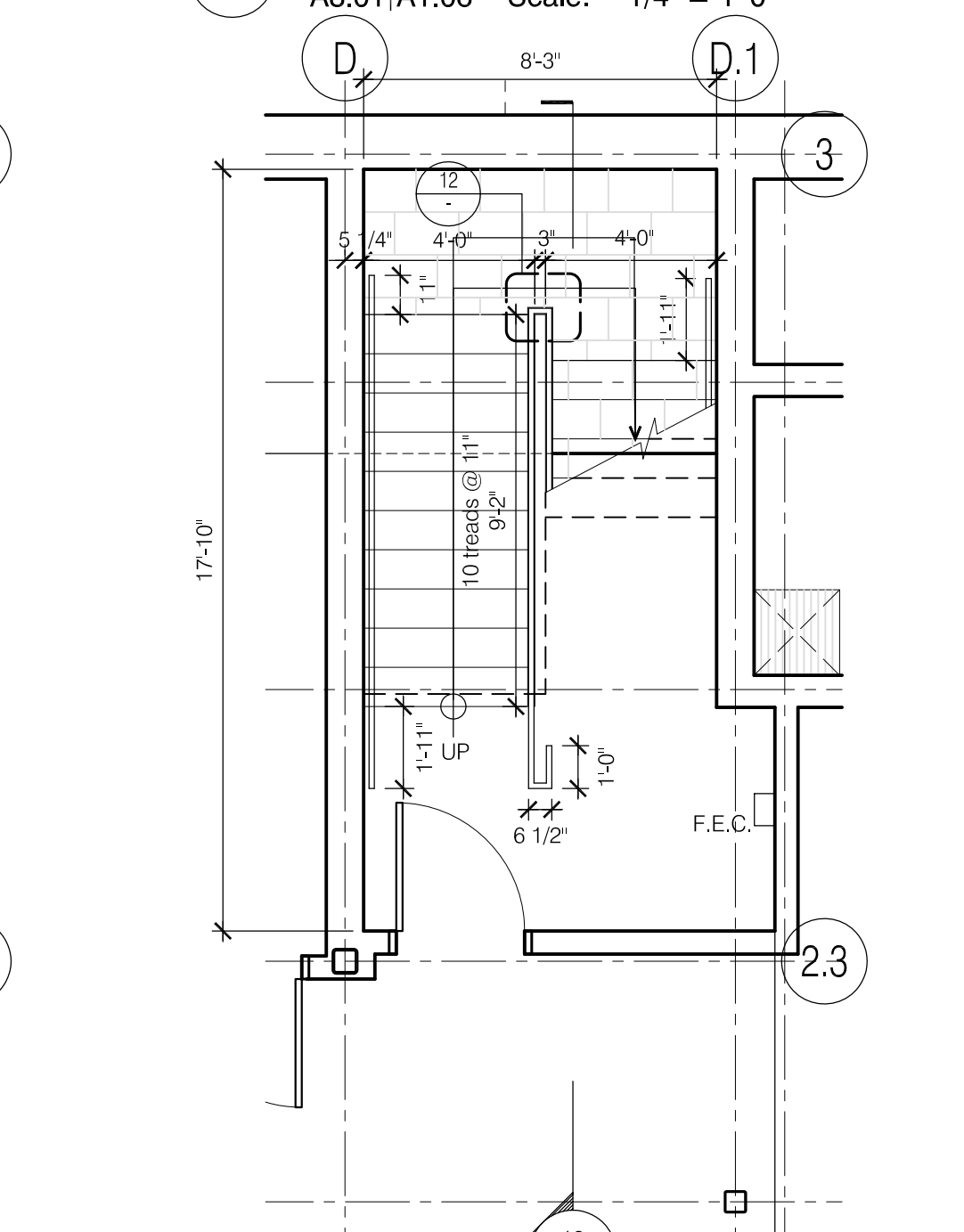
**6 PLAN @ STAIR 02 SECOND FLR**  
A8.01/A1.08 Scale: 1/4"=1'-0"



**5 PLAN @ STAIR 02 GARDEN LVL**  
A8.01/A1.02 Scale: 1/4"=1'-0"



**2 PLAN @ STAIR 02 MEZZANINE**  
A8.01/A1.06 Scale: 1/4"=1'-0"



**1 PLAN @ STAIR 02 BASEMENT**  
A8.01/A1.01 Scale: 1/4"=1'-0"