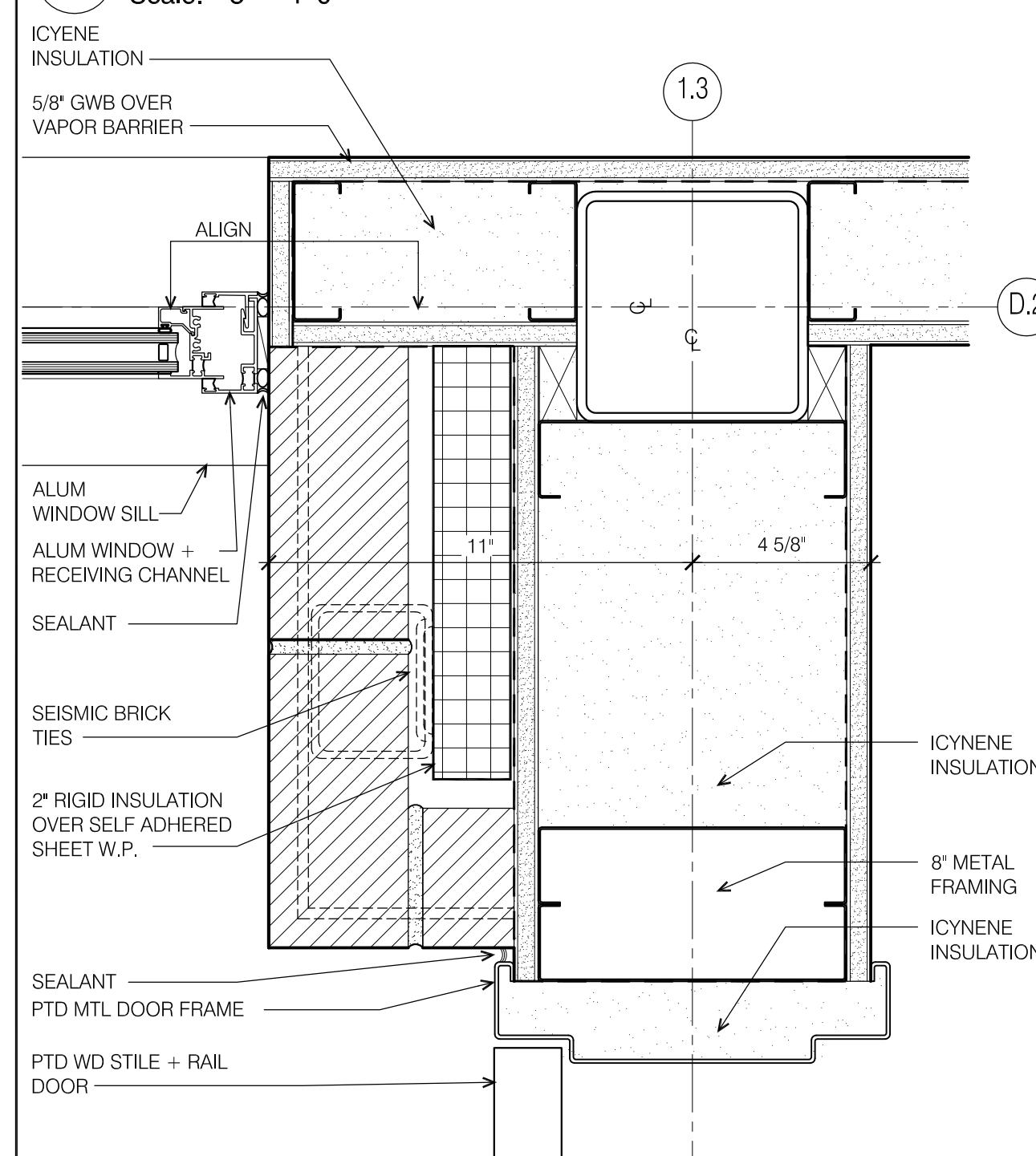
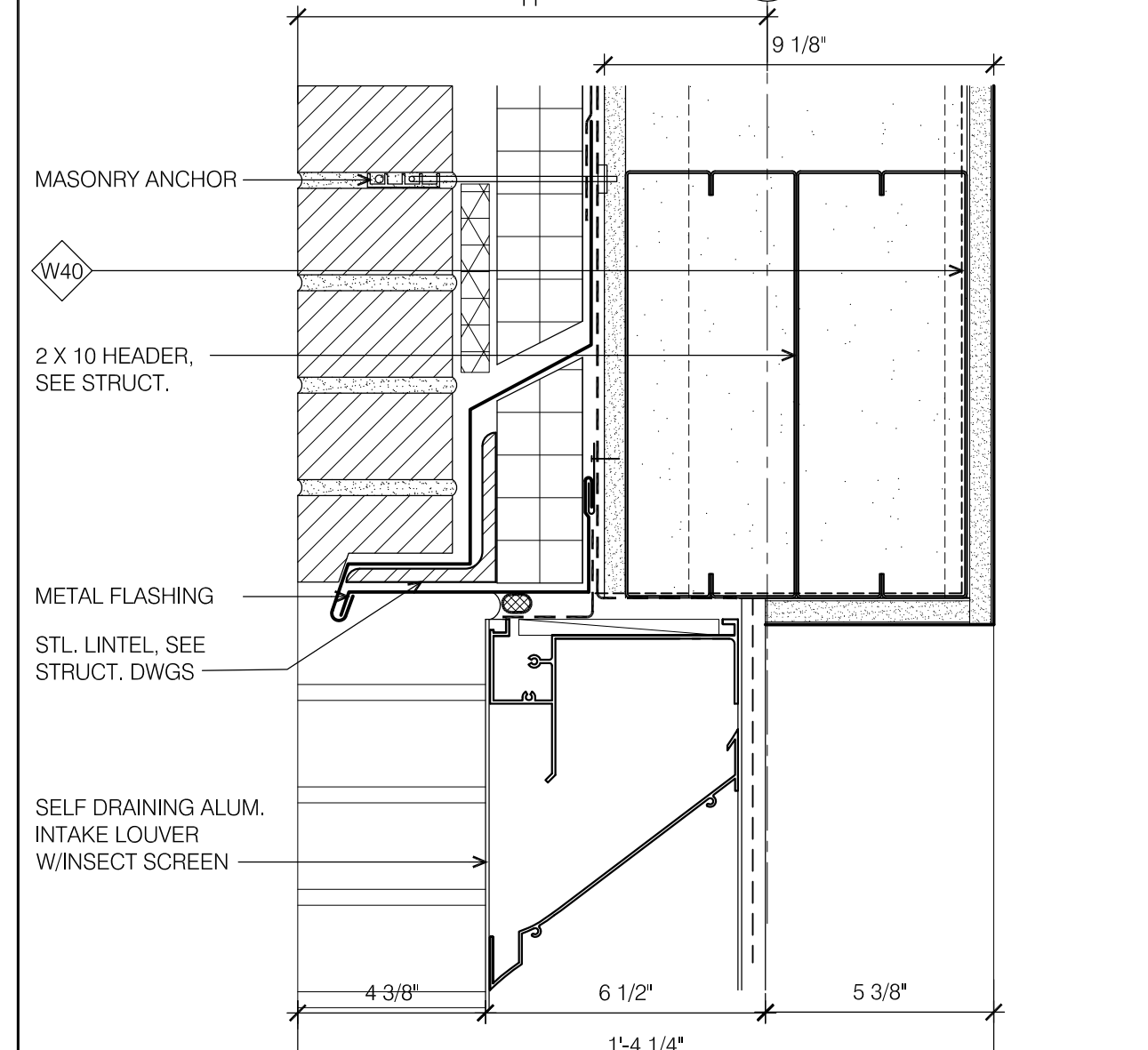


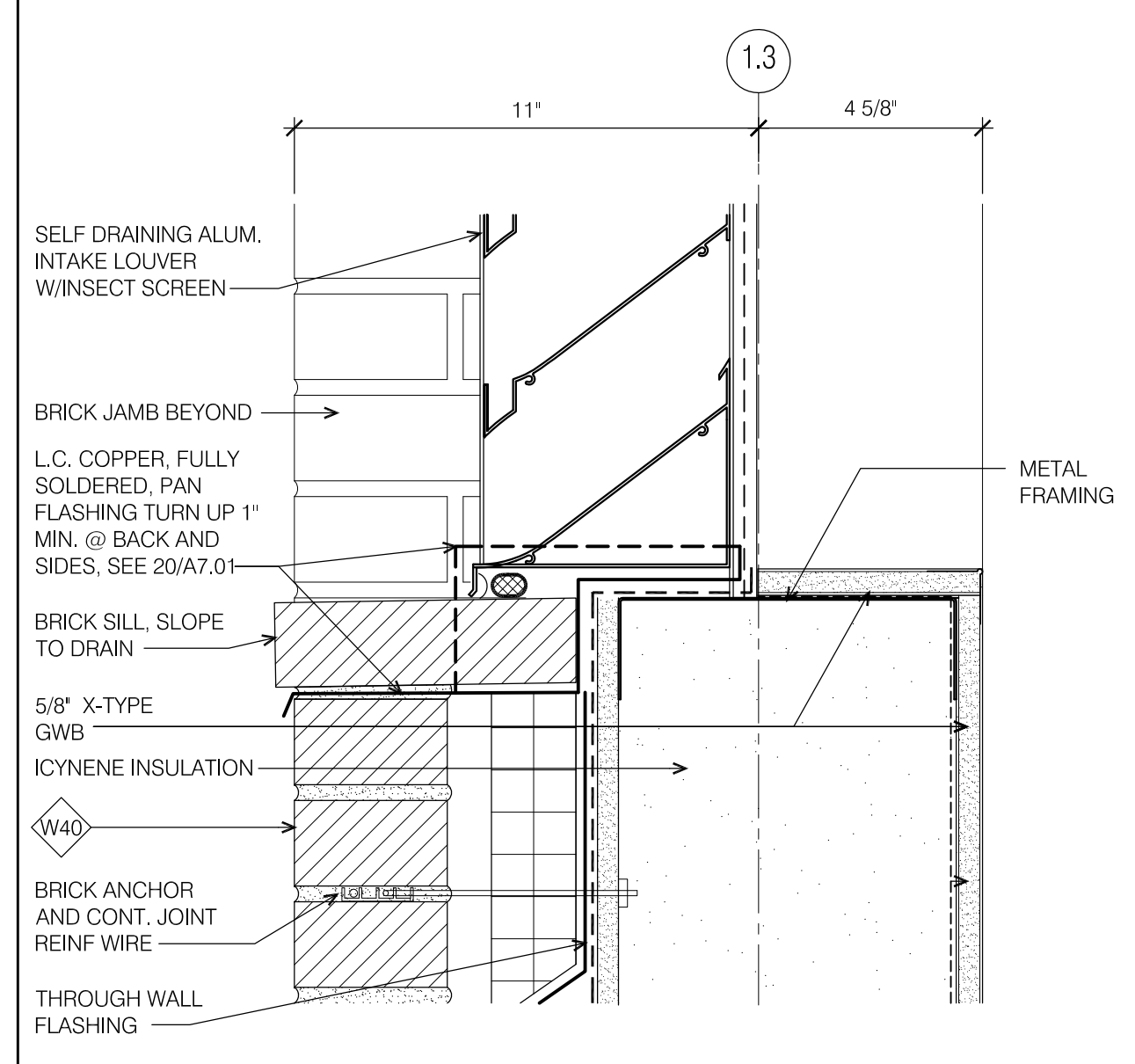
19 SECTION DETAIL @ FULL HEIGHT WINDOW SILL
Scale: 3" = 1'-0"



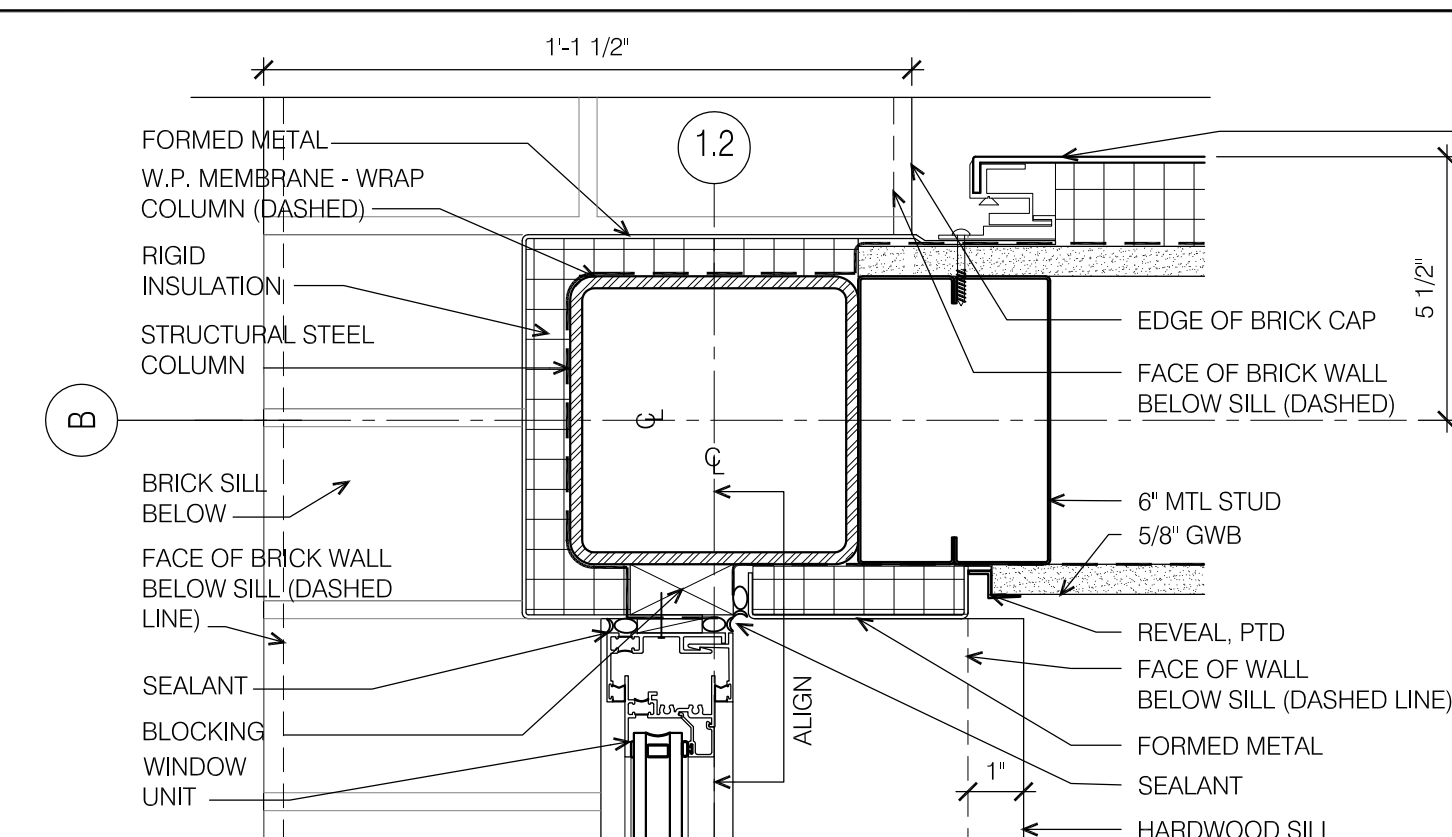
18 JAMB DETAIL @ 1.3/D.2 LINE
Scale: 3" = 1'-0"



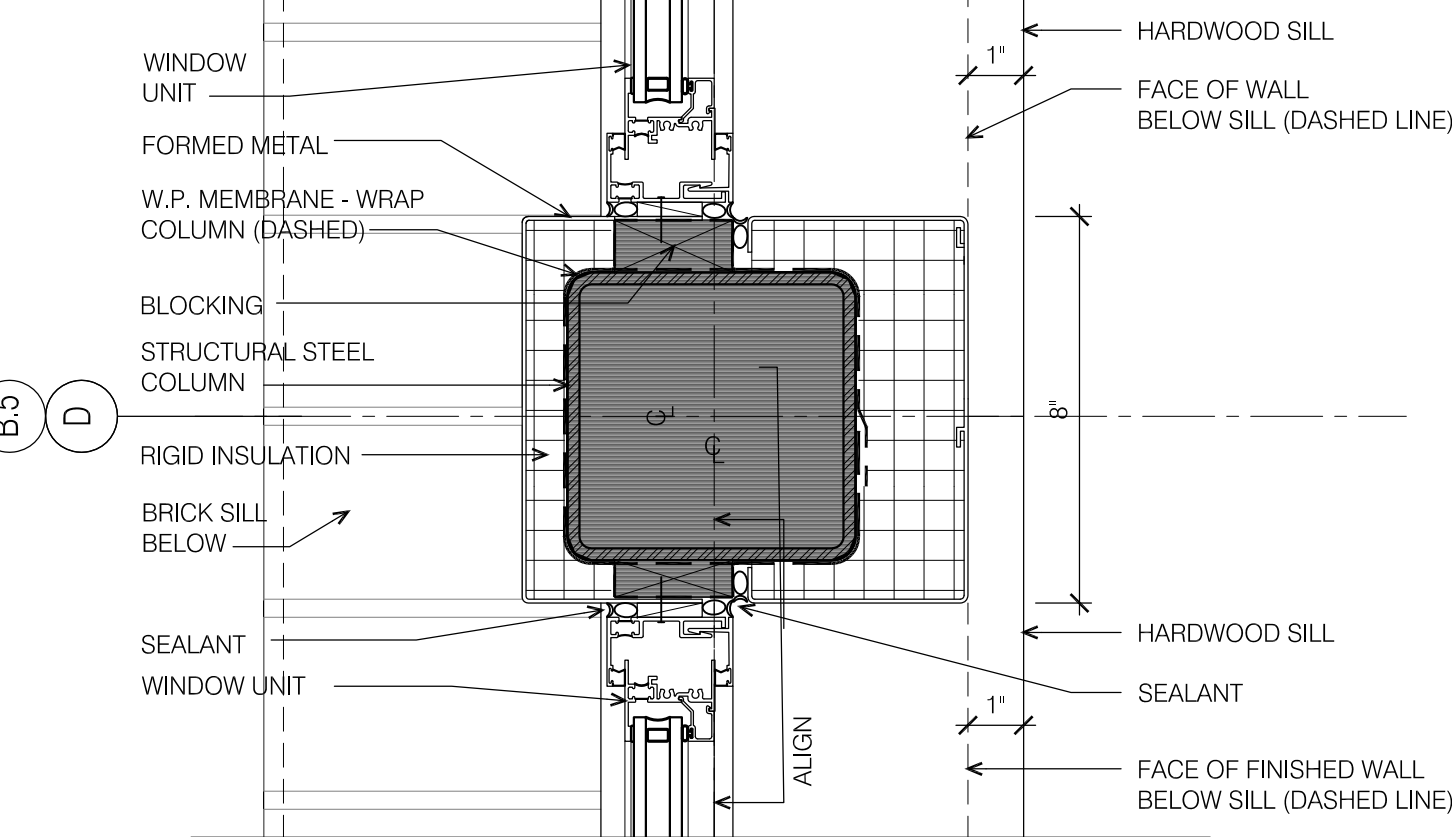
17 LOUVER HEAD @ GARDEN LEVEL
Scale: 3" = 1'-0"



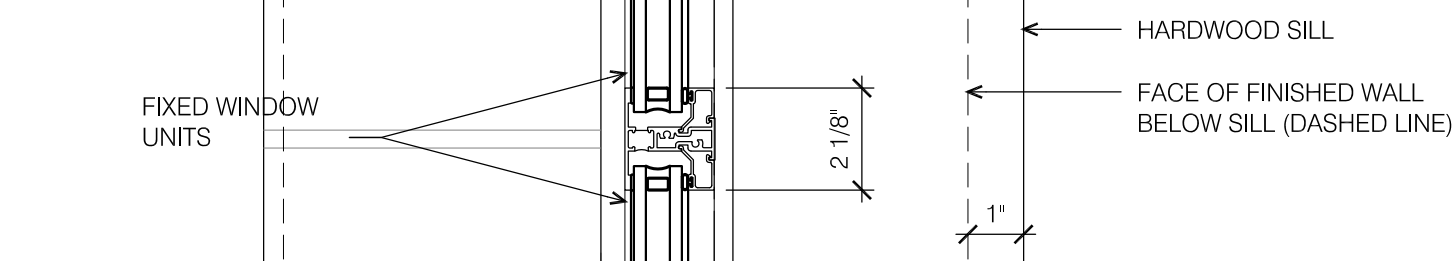
16 LOUVER SILL @ GARDEN LEVEL
Scale: 3" = 1'-0"



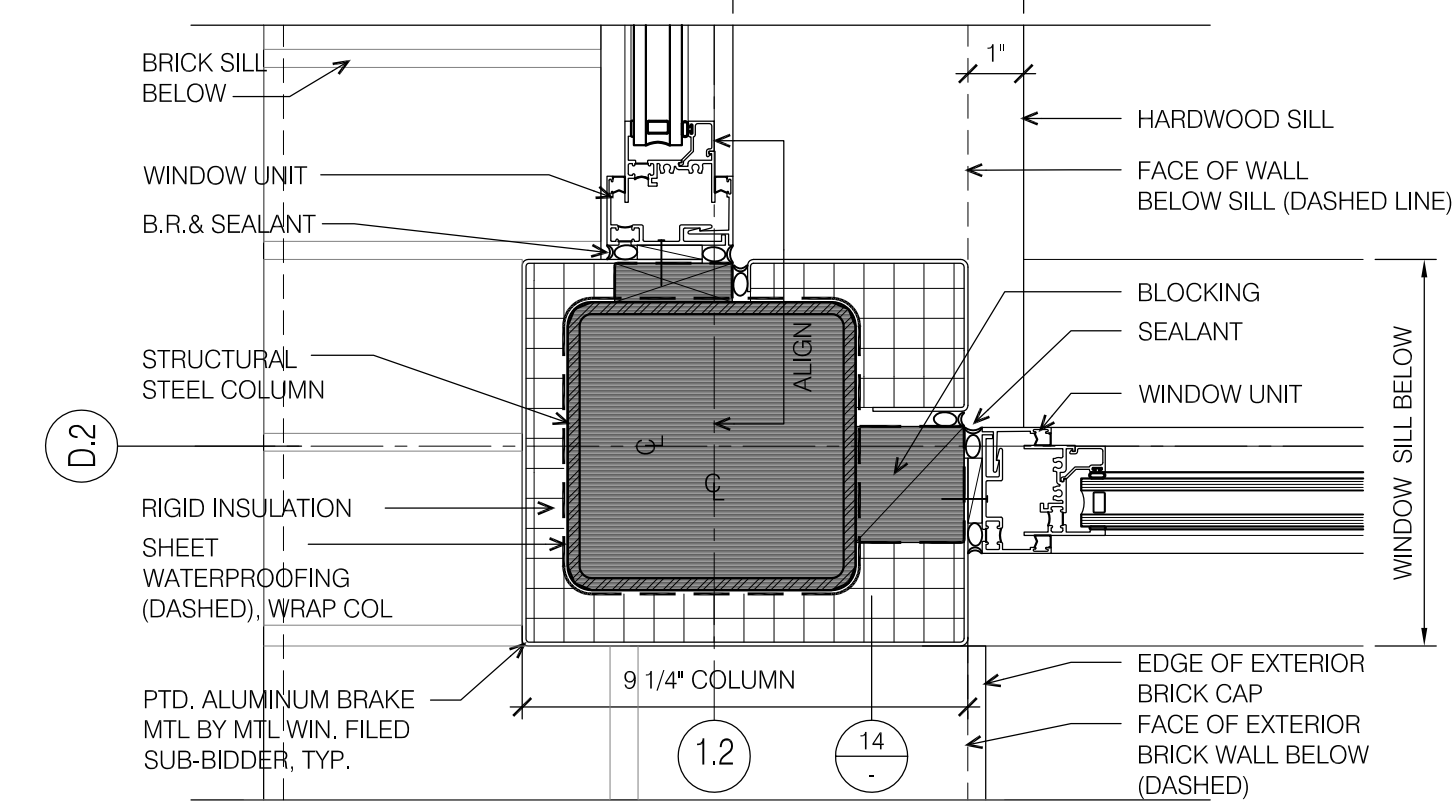
15 WINDOW @ COL. GARDEN LEVEL
Scale: 3" = 1'-0"



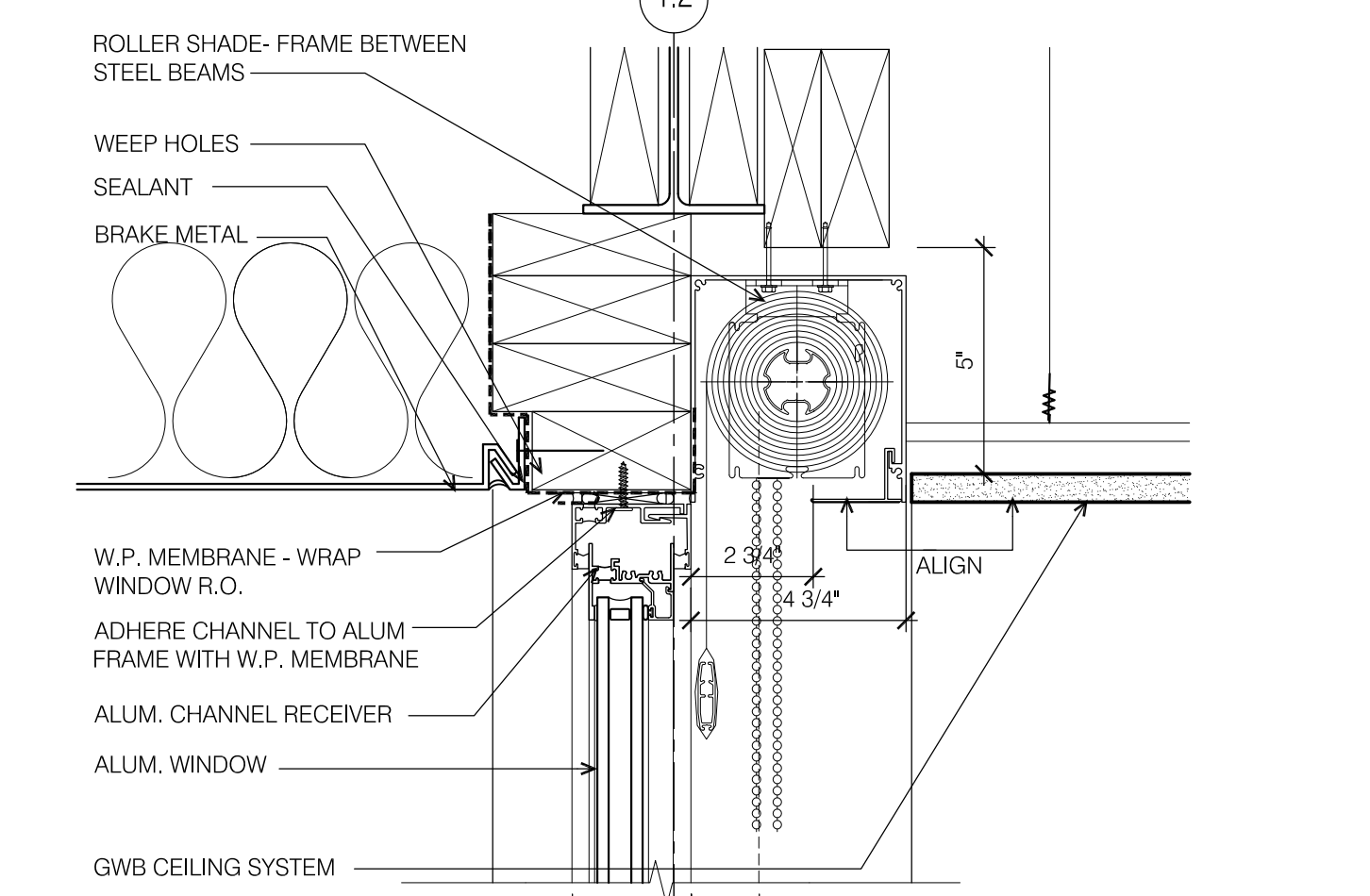
14 WINDOW JAMB DETAIL
Scale: 3" = 1'-0"



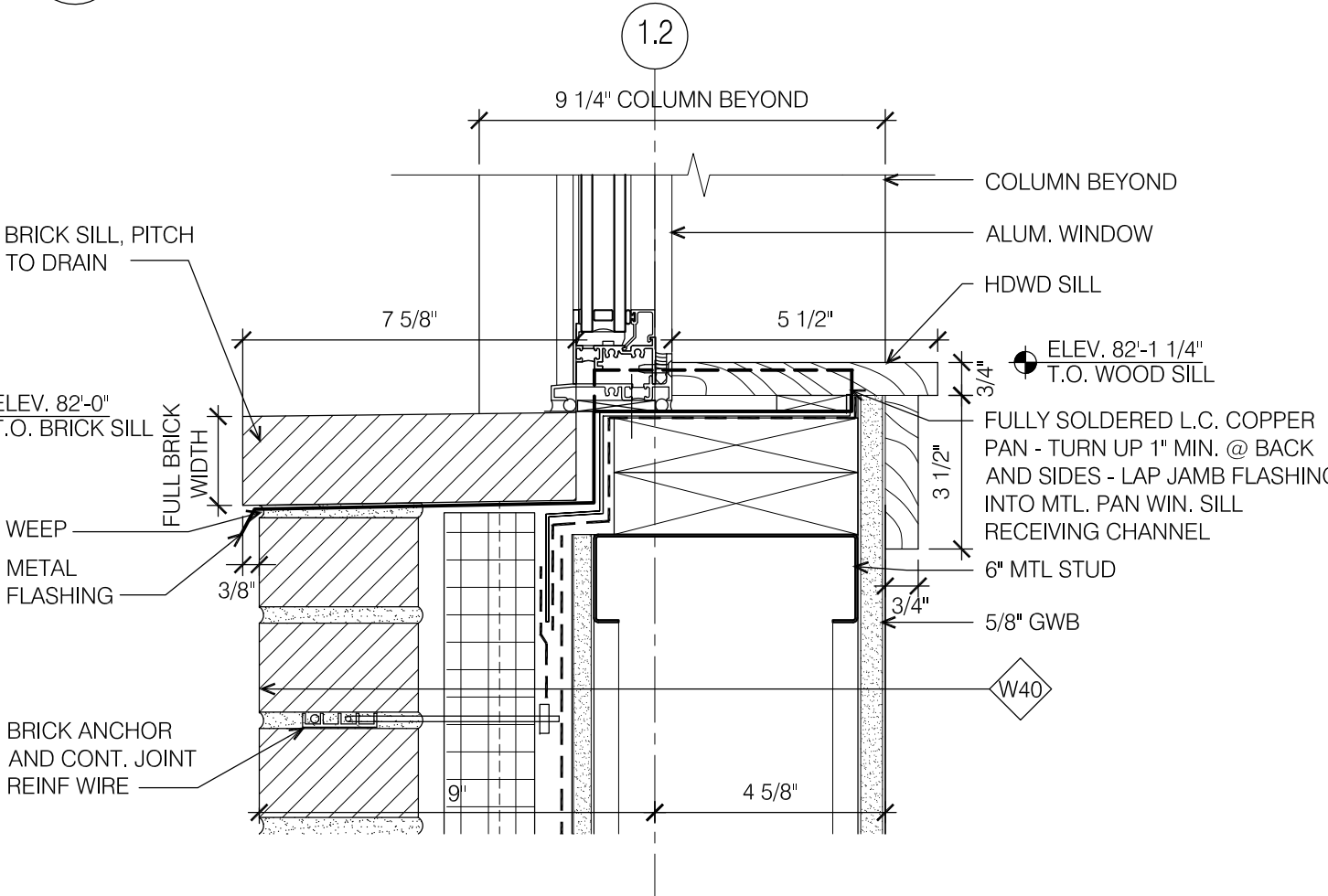
13 WINDOW @ INTERMEDIATE VERTICAL MULLION
Scale: 3" = 1'-0"



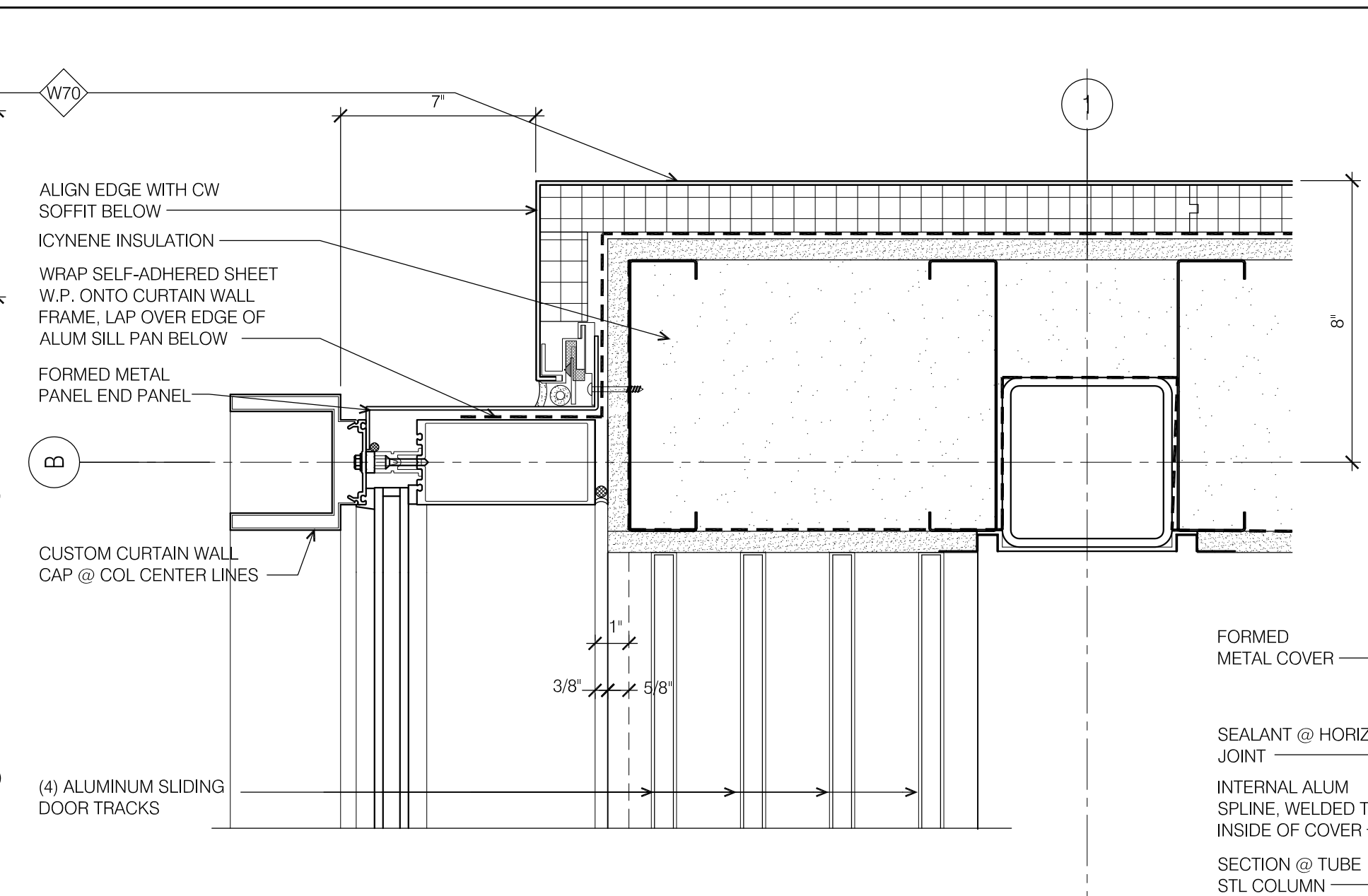
12 WINDOW @ COL. GARDEN LEVEL
Scale: 3" = 1'-0"



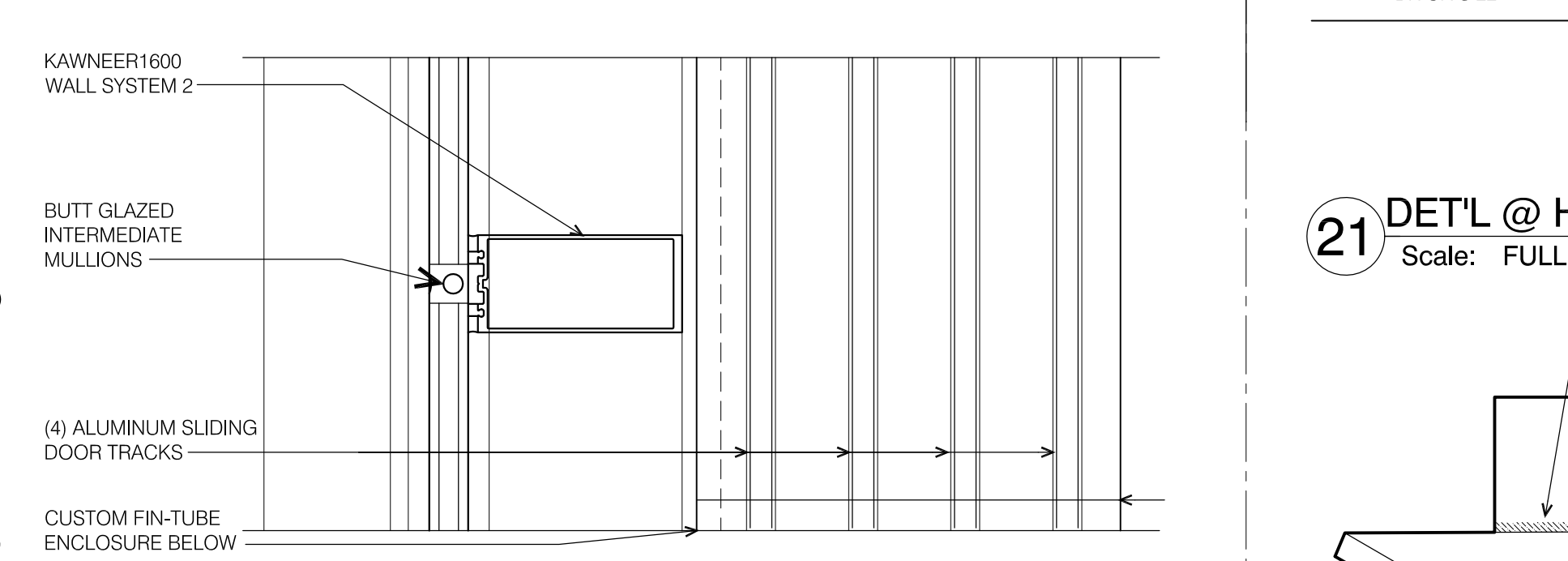
11 WINDOW HEAD DETL
Scale: 3" = 1'-0"



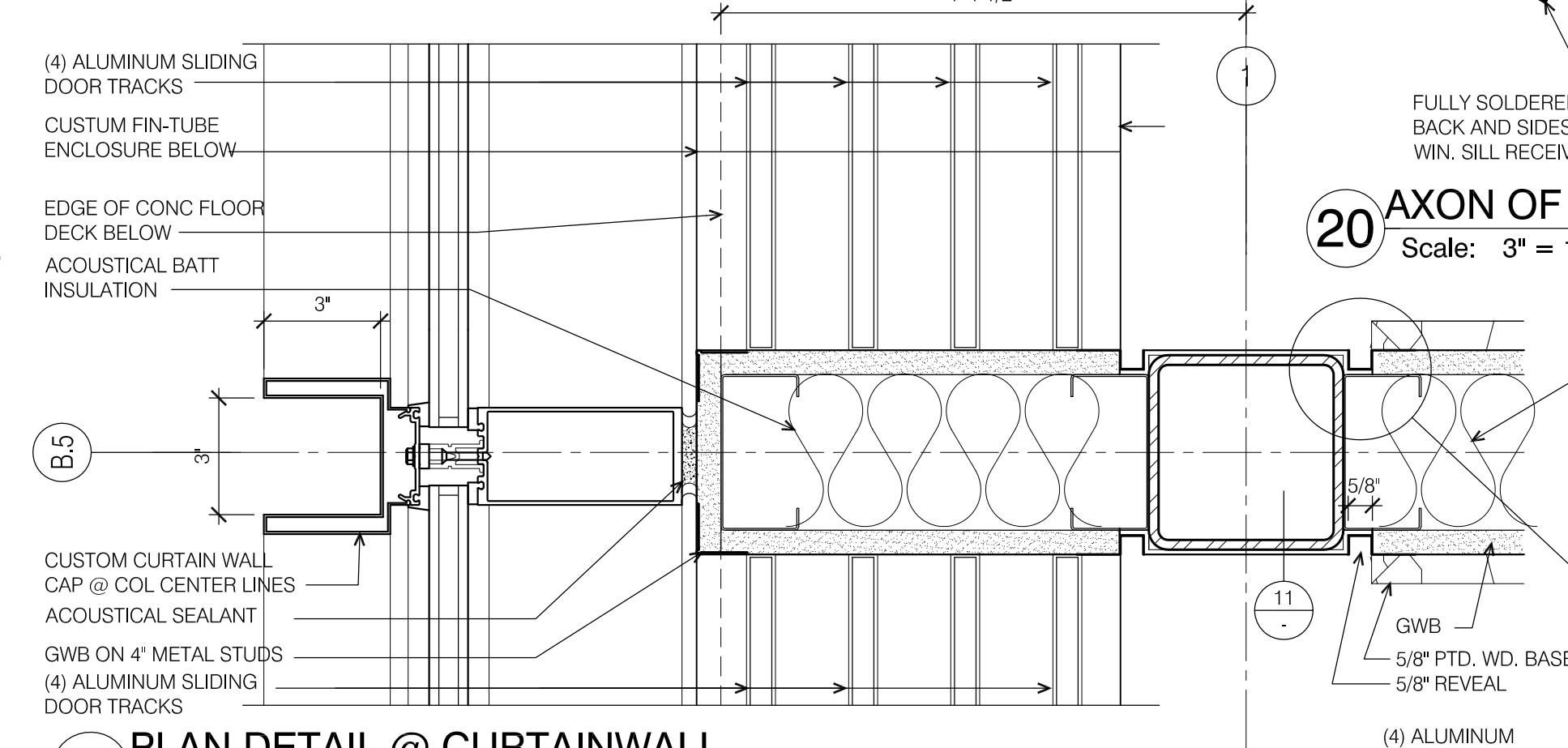
10 WINDOW SILL DETL
Scale: 3" = 1'-0"



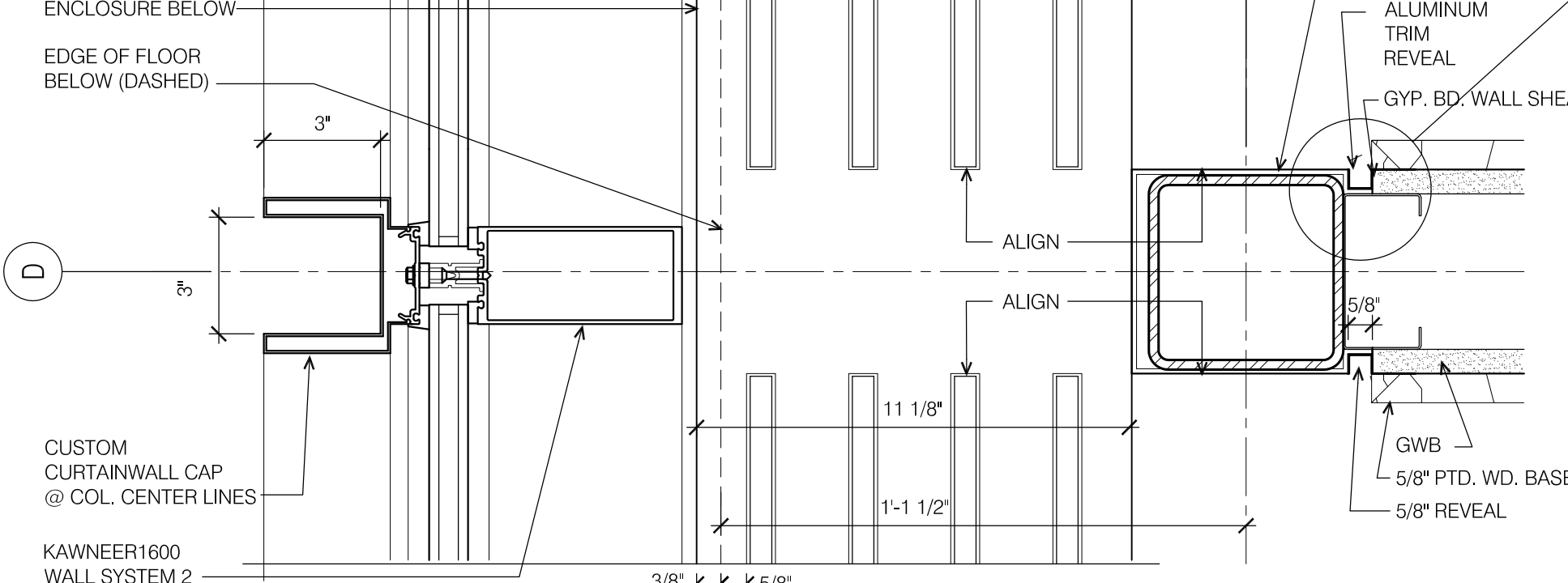
9 PLAN DETAIL @ CURTAINWALL
Scale: 3" = 1'-0"



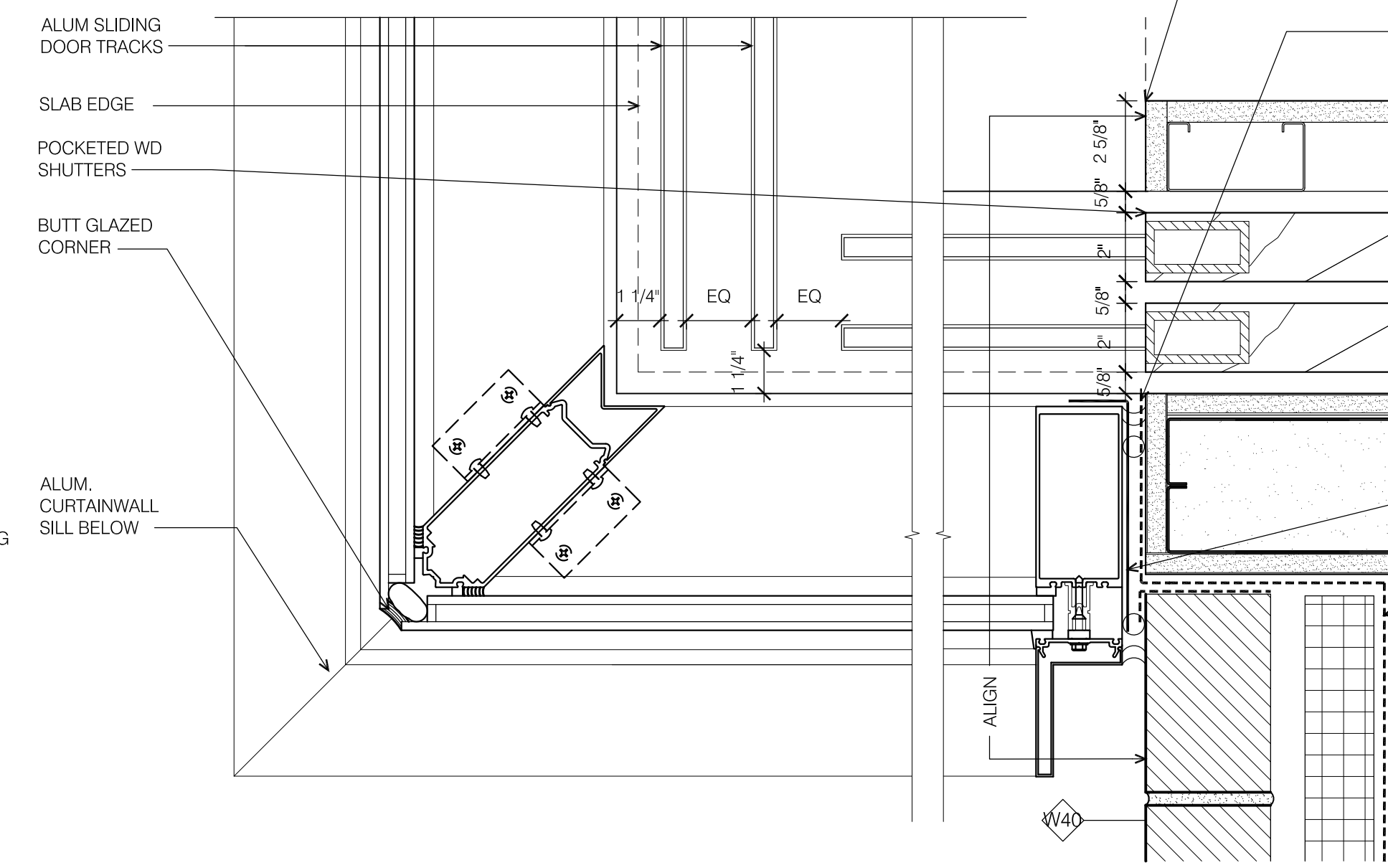
8 PLAN DETAIL @ CURTAINWALL
Scale: 3" = 1'-0"



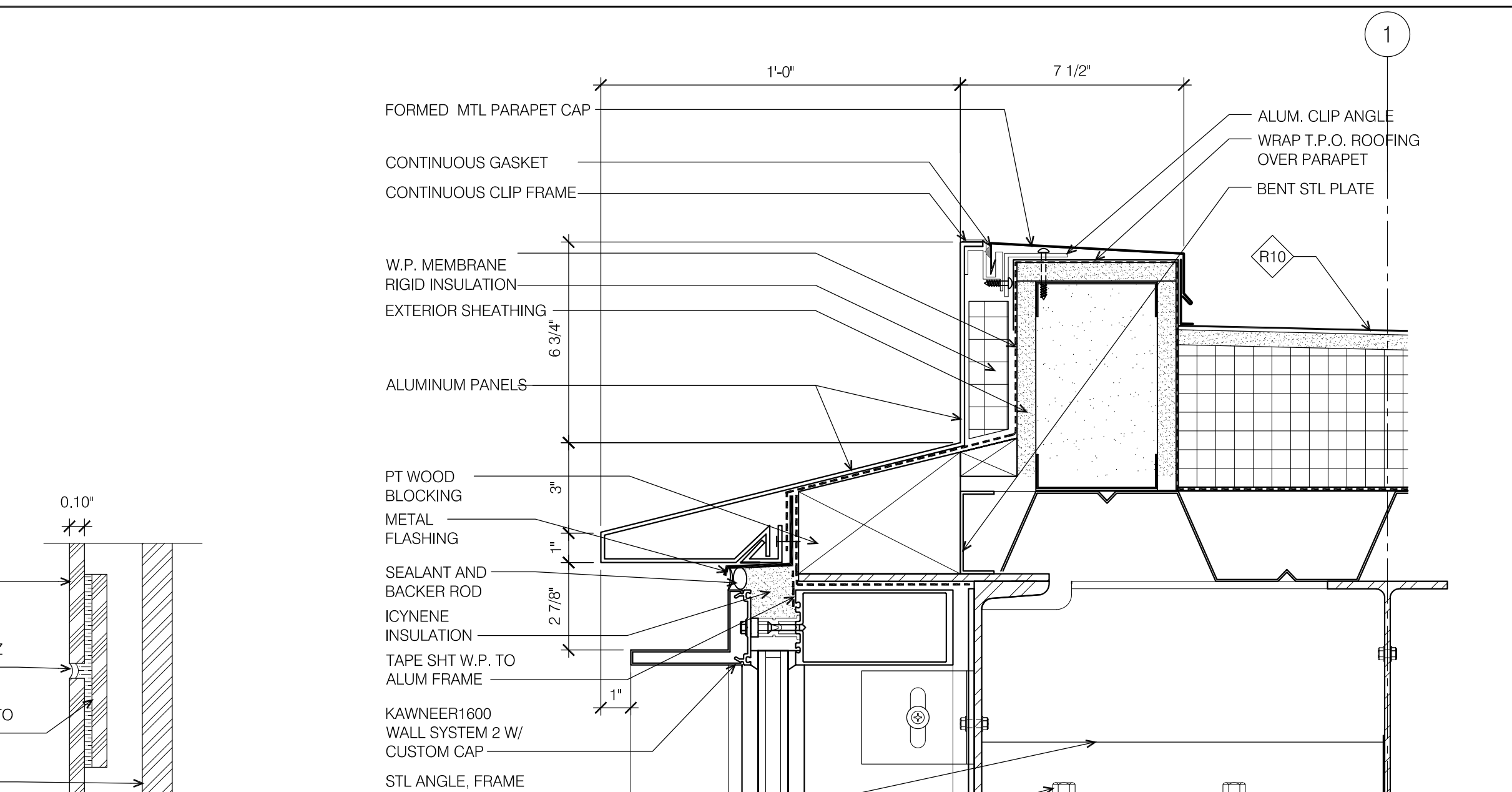
7 PLAN DETAIL @ CURTAINWALL
Scale: 3" = 1'-0"



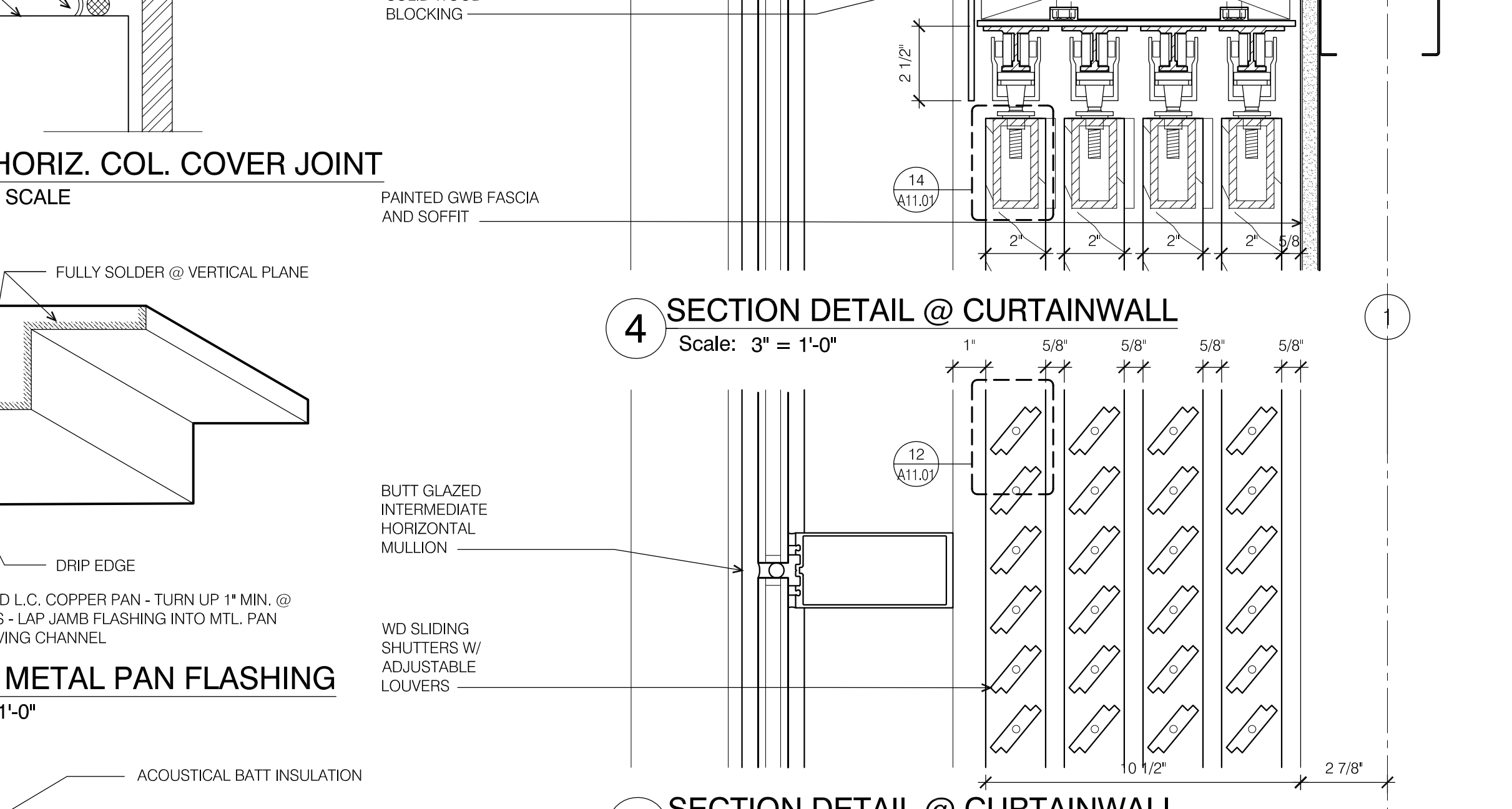
6 PLAN DETAIL @ CURTAINWALL
Scale: 3" = 1'-0"



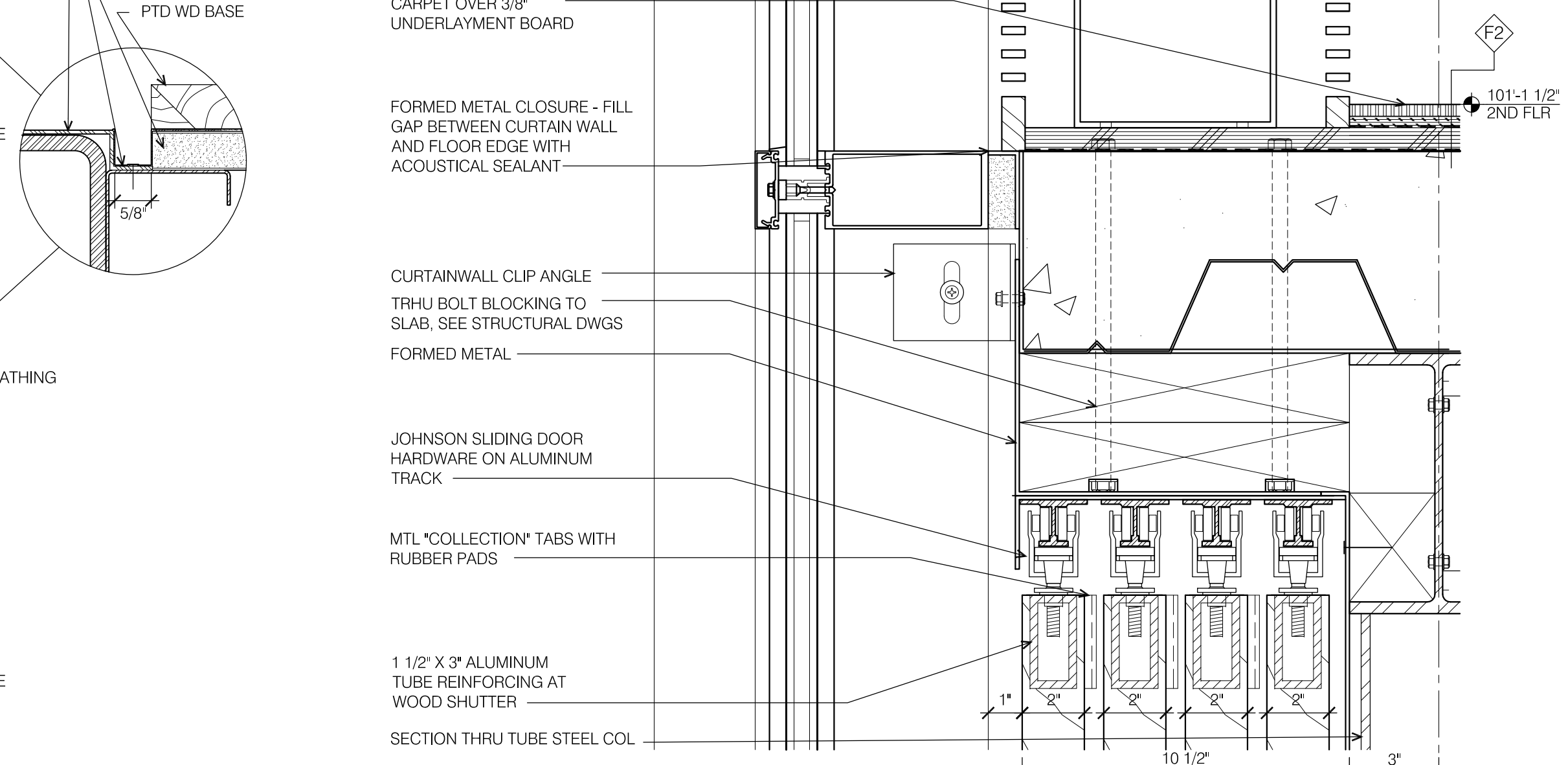
5 PLAN DETAIL @ CURTAINWALL
Scale: 3" = 1'-0"



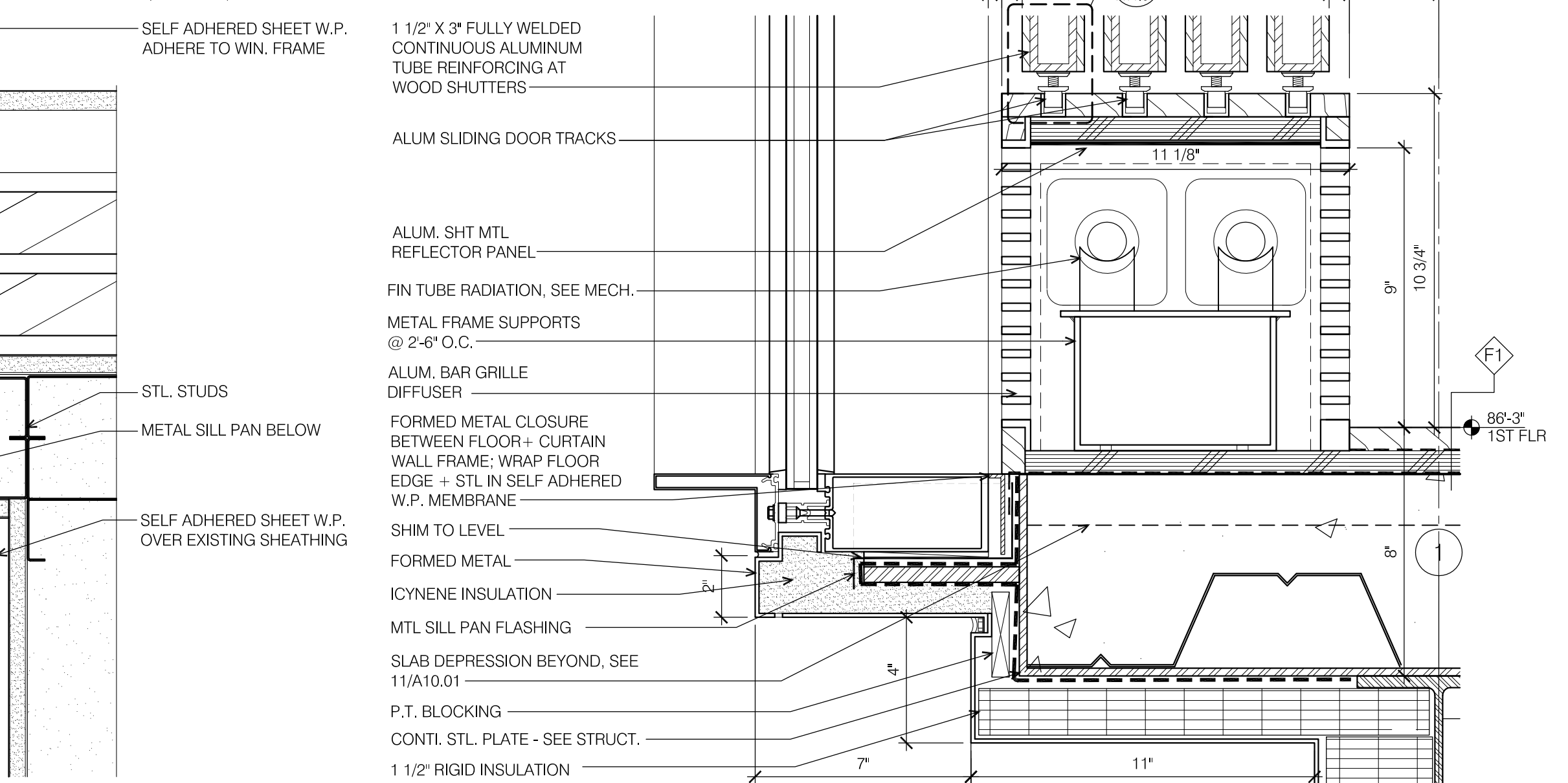
4 SECTION DETAIL @ CURTAINWALL
Scale: 3" = 1'-0"



3 SECTION DETAIL @ CURTAINWALL
Scale: 3" = 1'-0"



2 SECTION DETAIL @ CURTAINWALL
Scale: 3" = 1'-0"



1 SECTION DETAIL @ CURTAINWALL
Scale: 3" = 1'-0"

SCHWARTZ / SILVER ARCHITECTS INC.
75 Kneeland Street, Boston, Massachusetts 02111 | Telephone 617-542-6650 | Facsimile 617-951-0779

PROJECT: MAINE HISTORICAL SOCIETY
489 CONGRESS ST. PORTLAND, MAINE

DRAWING NUMBER: CURTAINWALL DETAILS
METAL PANEL DETAILS
A7.01

DATE	REVISIONS	DATE	REVISIONS
09/13/07	REVISION 01		

CONSULTANTS:

Drawn By: _____ Date: _____
 Reviewed By: _____ Date: _____
 Approved By: _____ Date: _____

AS NOTED Scale