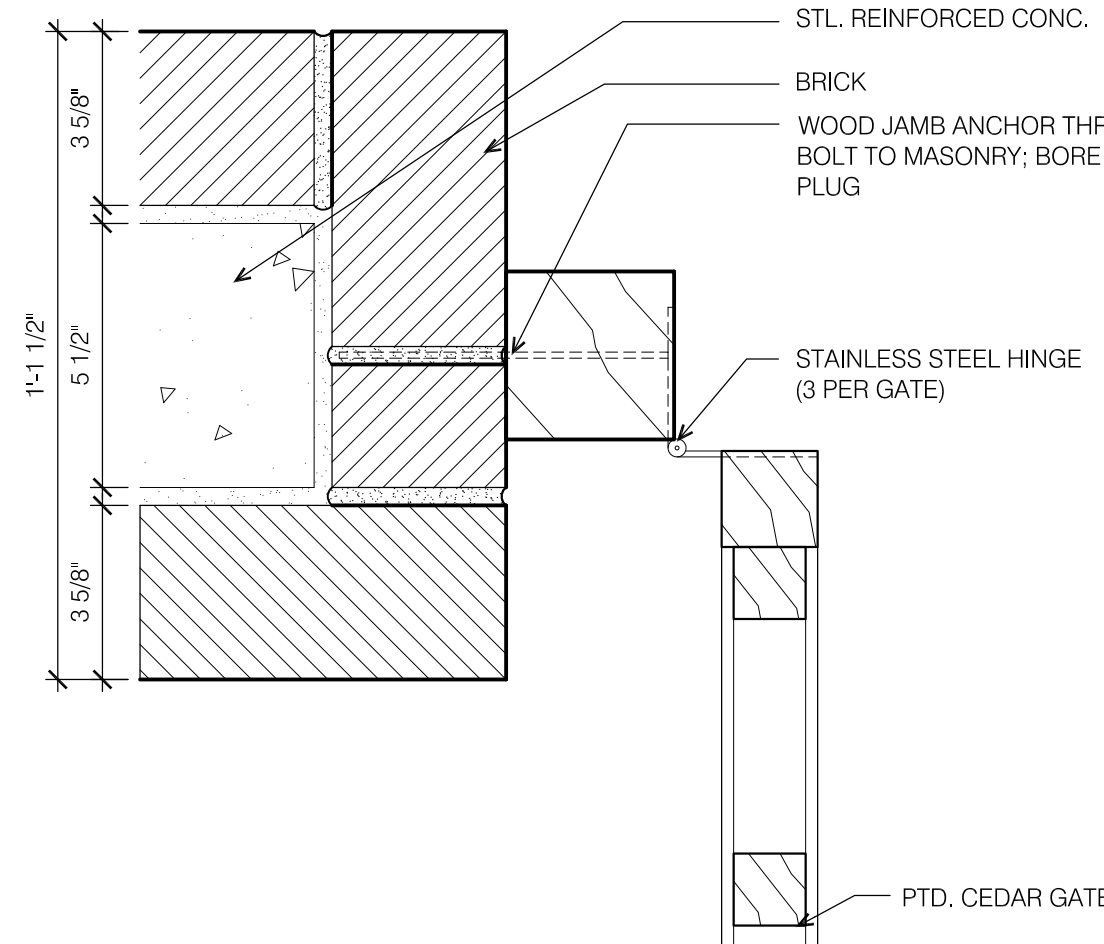
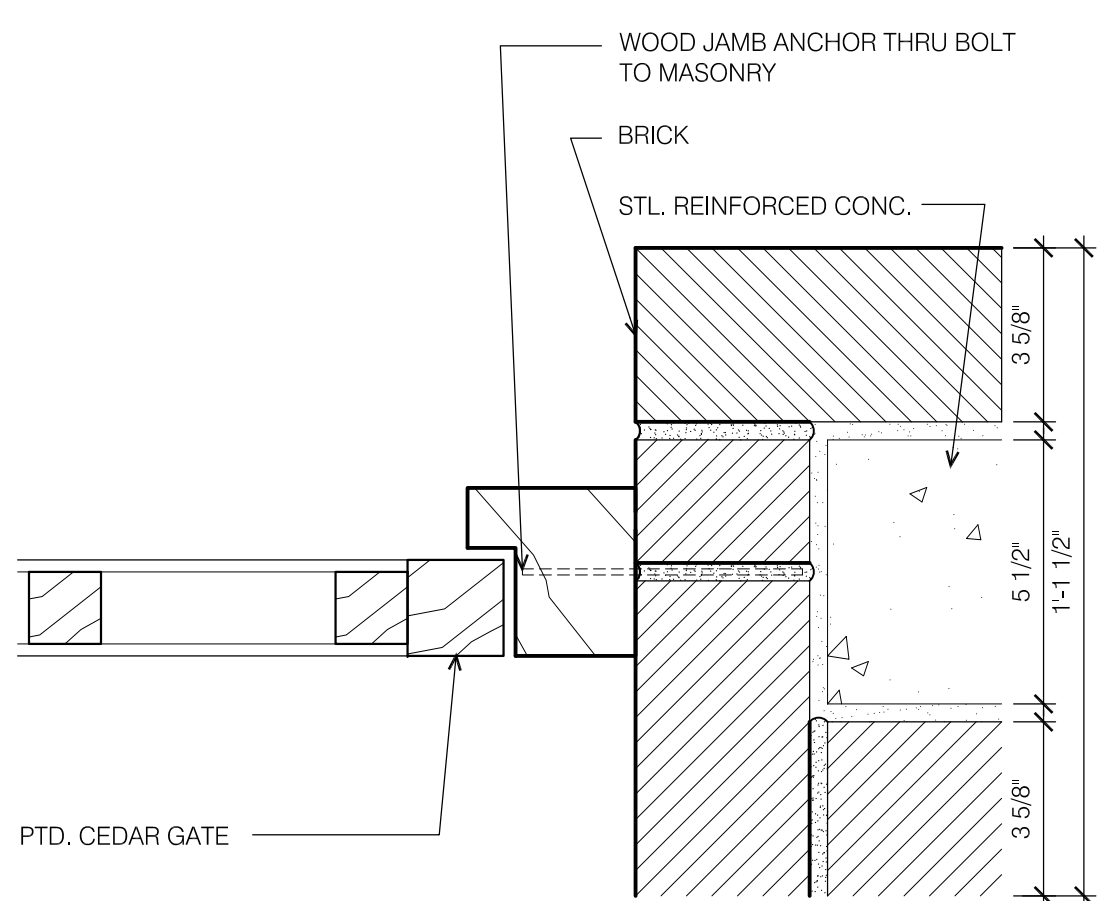


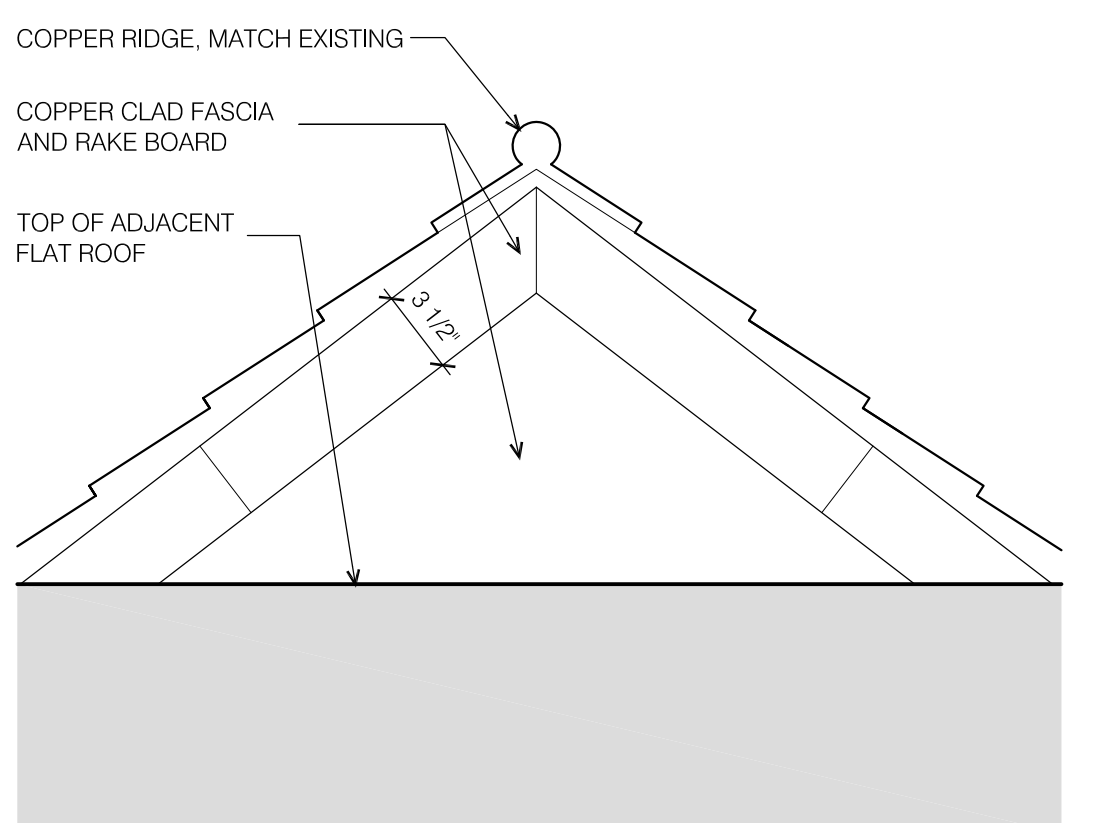
21 LATTICE, HALF-LAP SPLICE JOINTS
Scale: 6" = 1'-0"



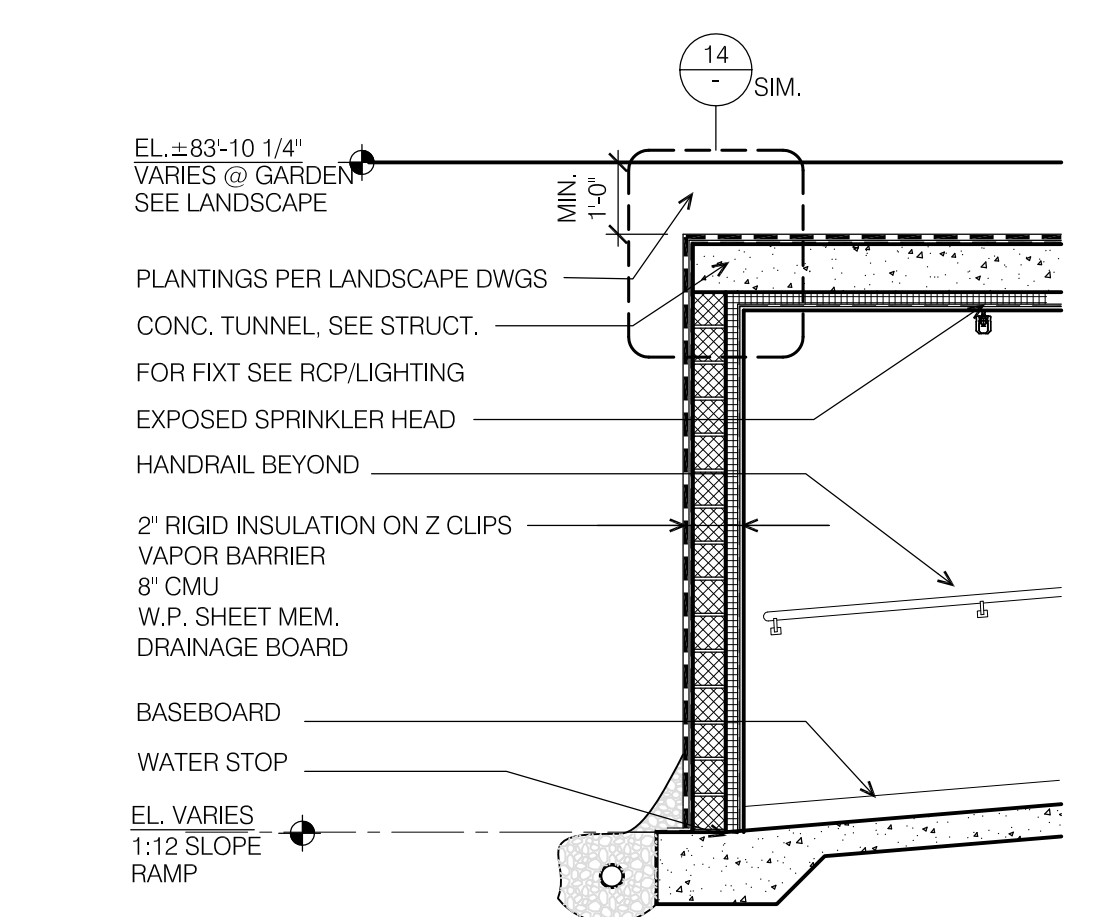
20 PLAN DETAIL @ BRICK
Scale: 3" = 1'-0"



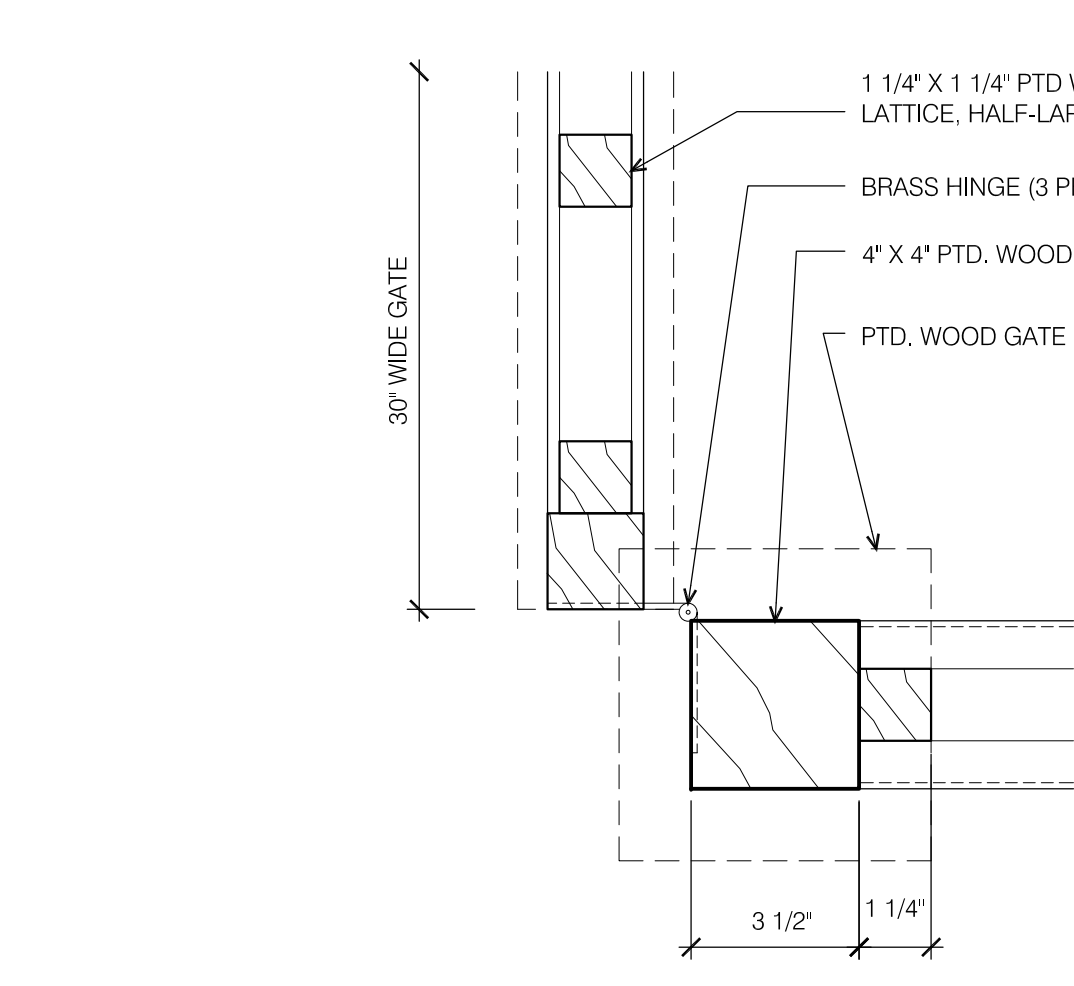
19 PLAN DETAIL @ BRICK
Scale: 3" = 1'-0"



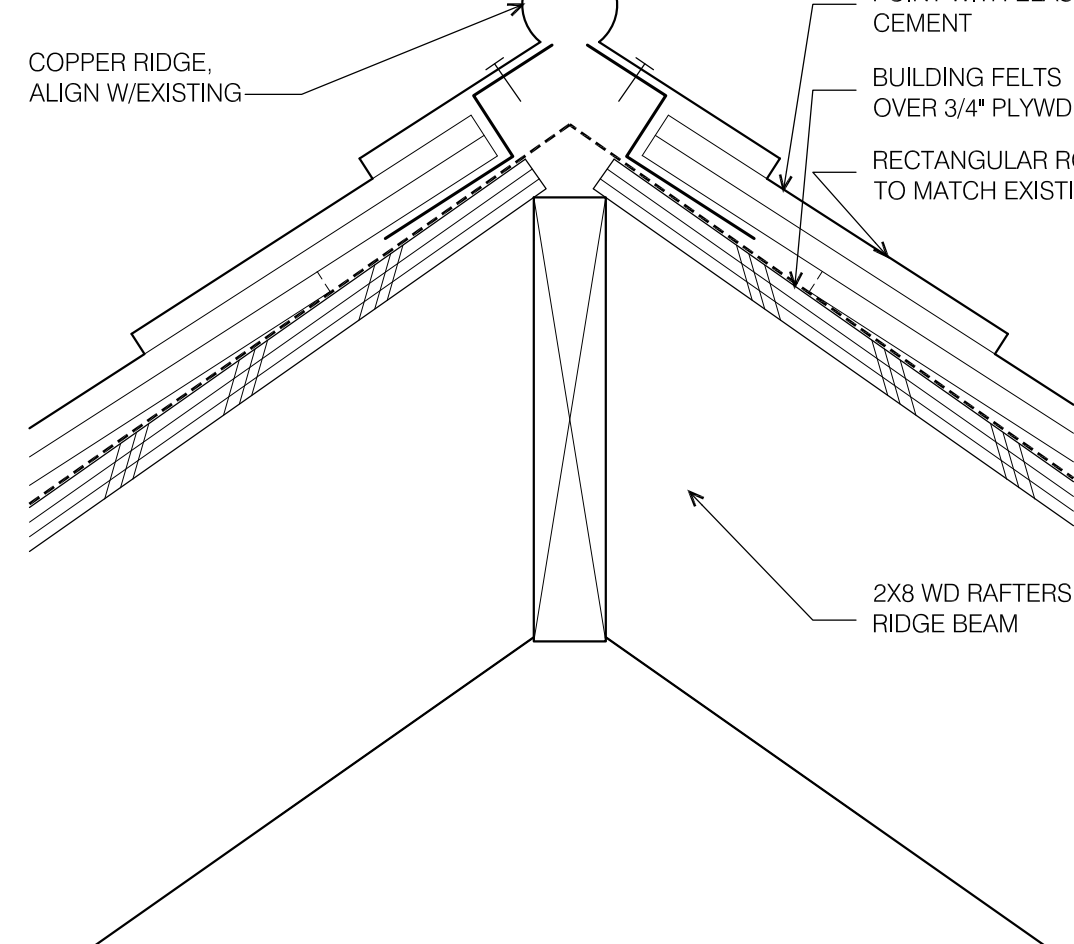
18 END GABLE ELEVATION
Scale: 1 1/2" = 1'-0"



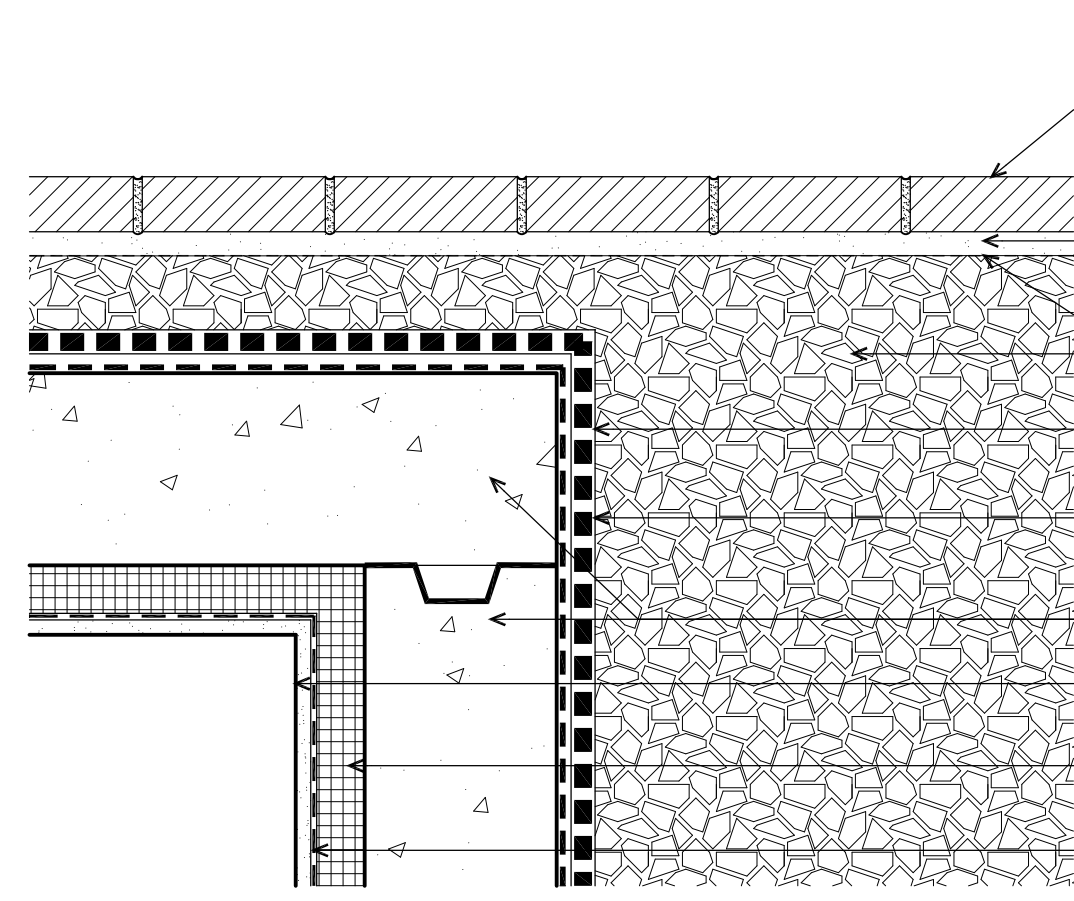
17 SECTION @ TUNNEL
Scale: 3/8" = 1'-0"



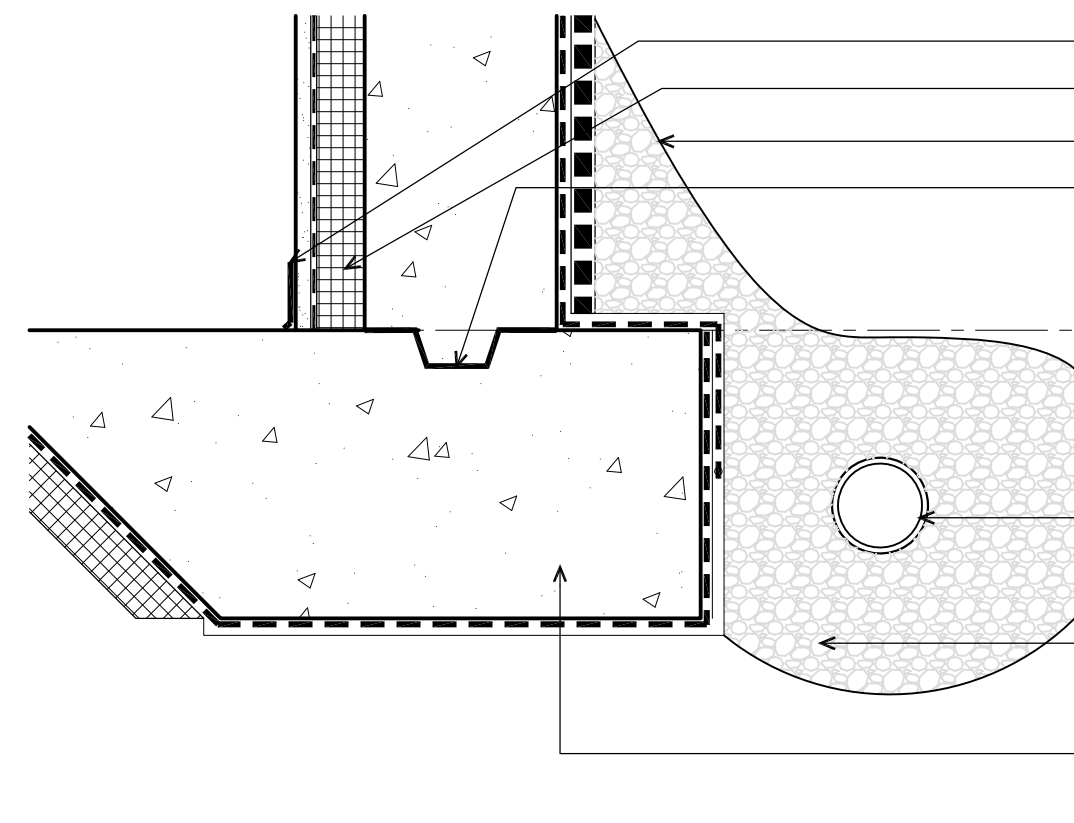
16 PLAN DETAIL AT LATTICE
Scale: 3" = 1'-0"



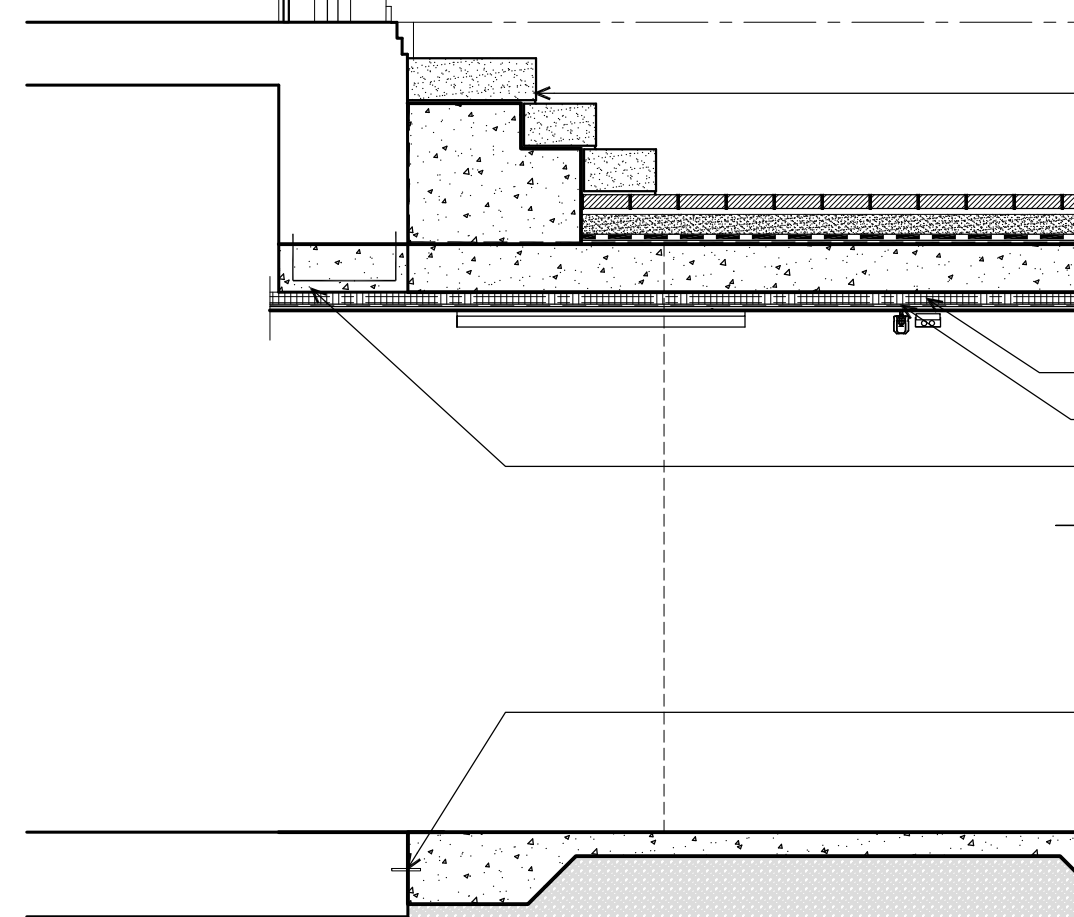
15 RIDGE DETAIL AT CHILDREN'S GATE
Scale: 3" = 1'-0"



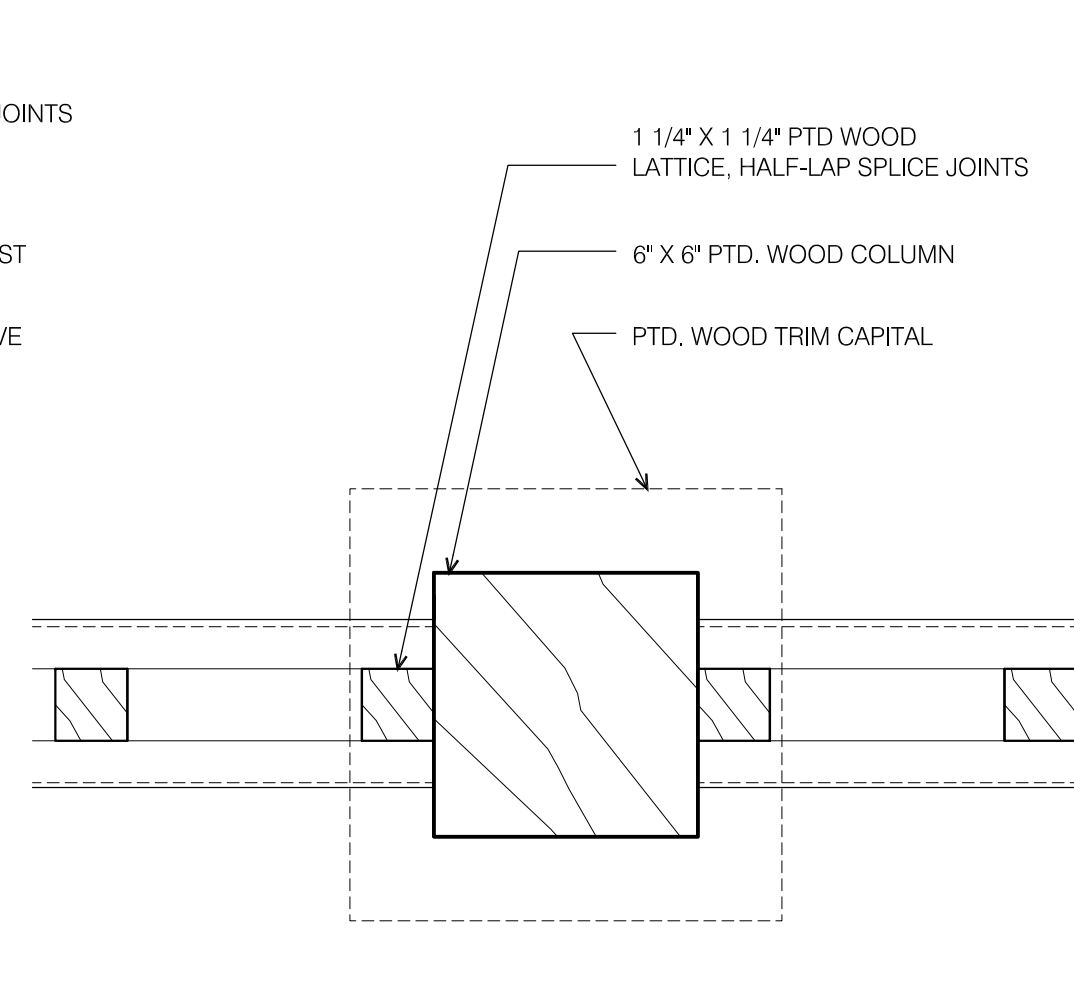
14 SECTION THRU SIDEWALL LOUVER
Scale: 1 1/2" = 1'-0"



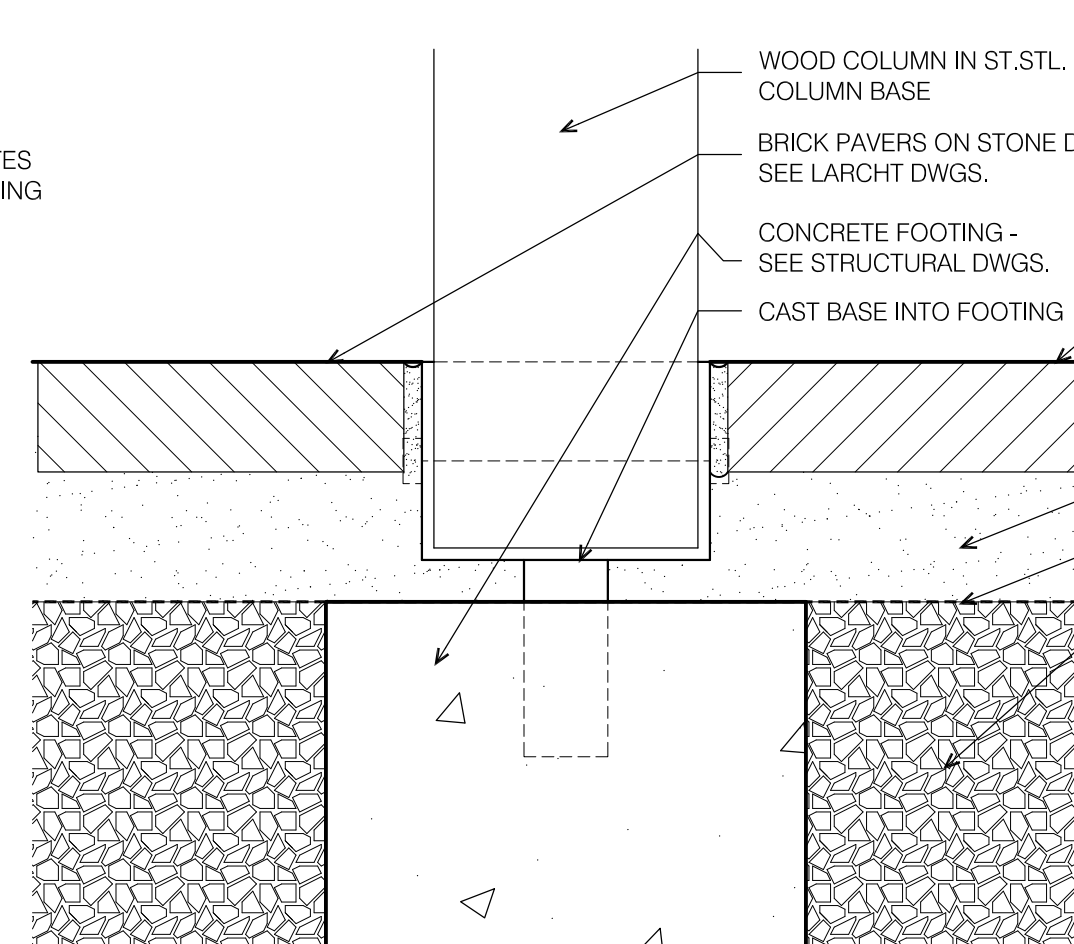
13 SECTION THRU SIDEWALL LOUVER
Scale: 1 1/2" = 1'-0"



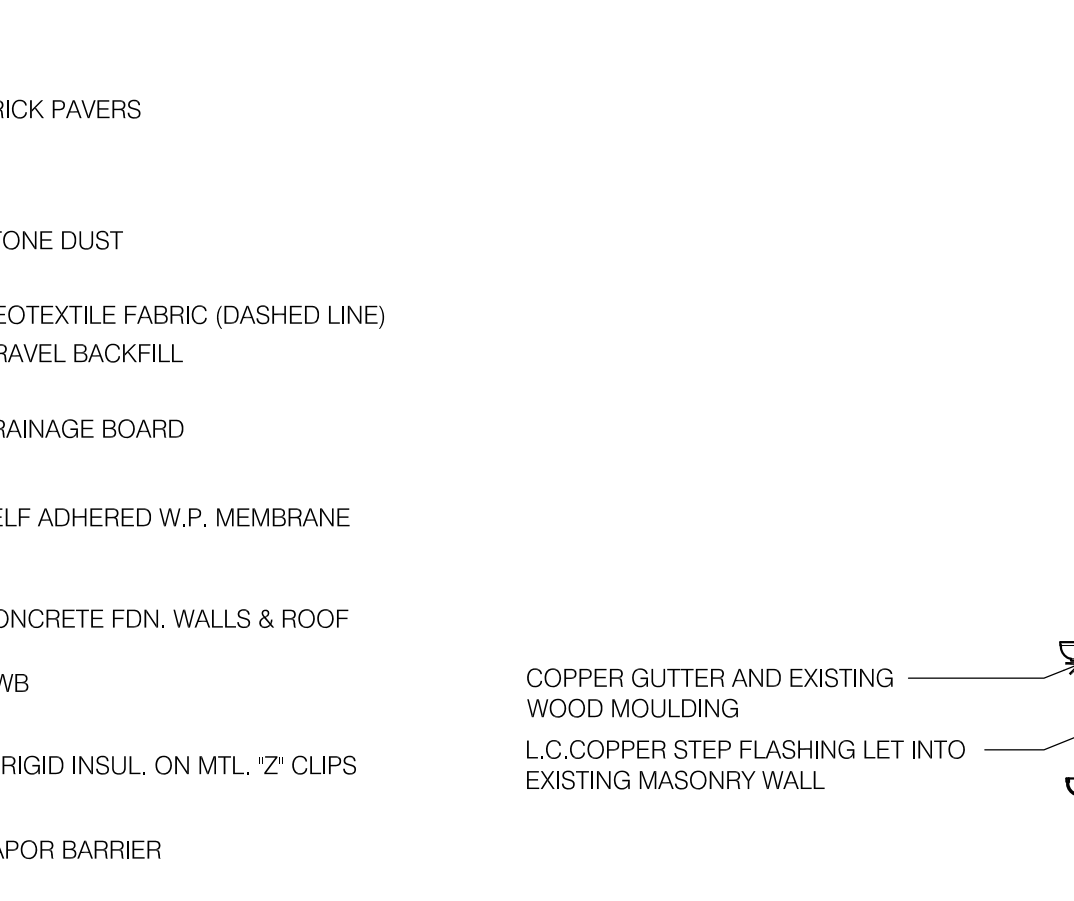
12 SECTION @ TUNNEL & EXIST. BLDG
Scale: 3/8" = 1'-0"



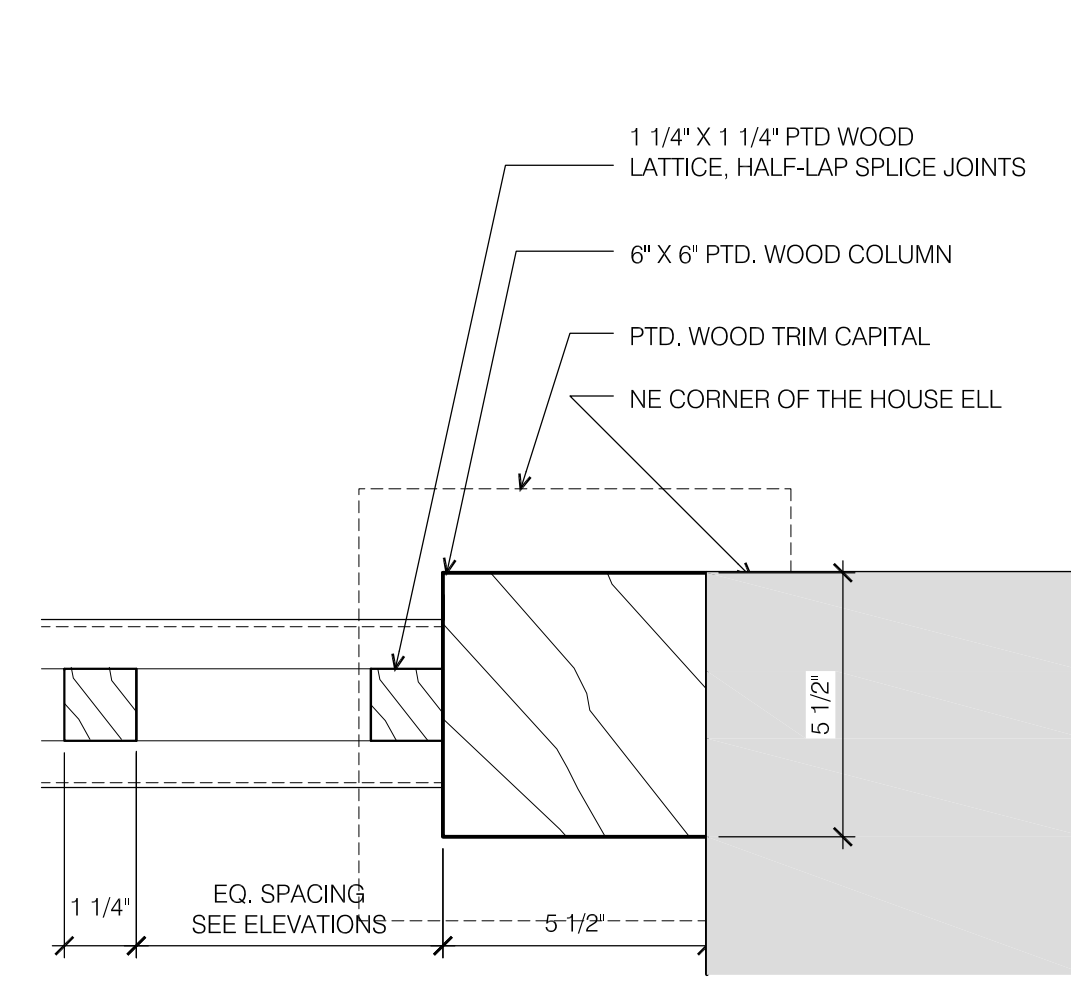
11 PLAN DETAIL AT LATTICE
Scale: 3" = 1'-0"



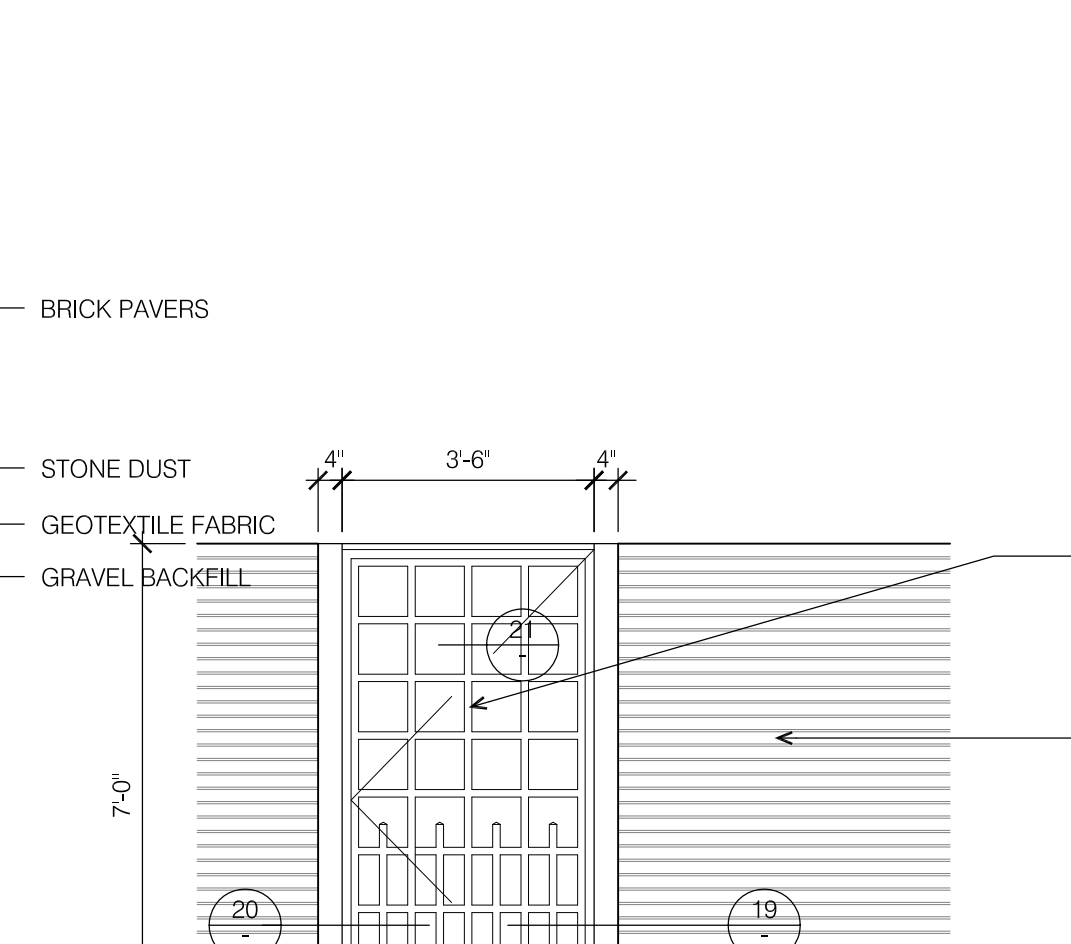
10 DETAIL @ COL. BASE
Scale: 3" = 1'-0"



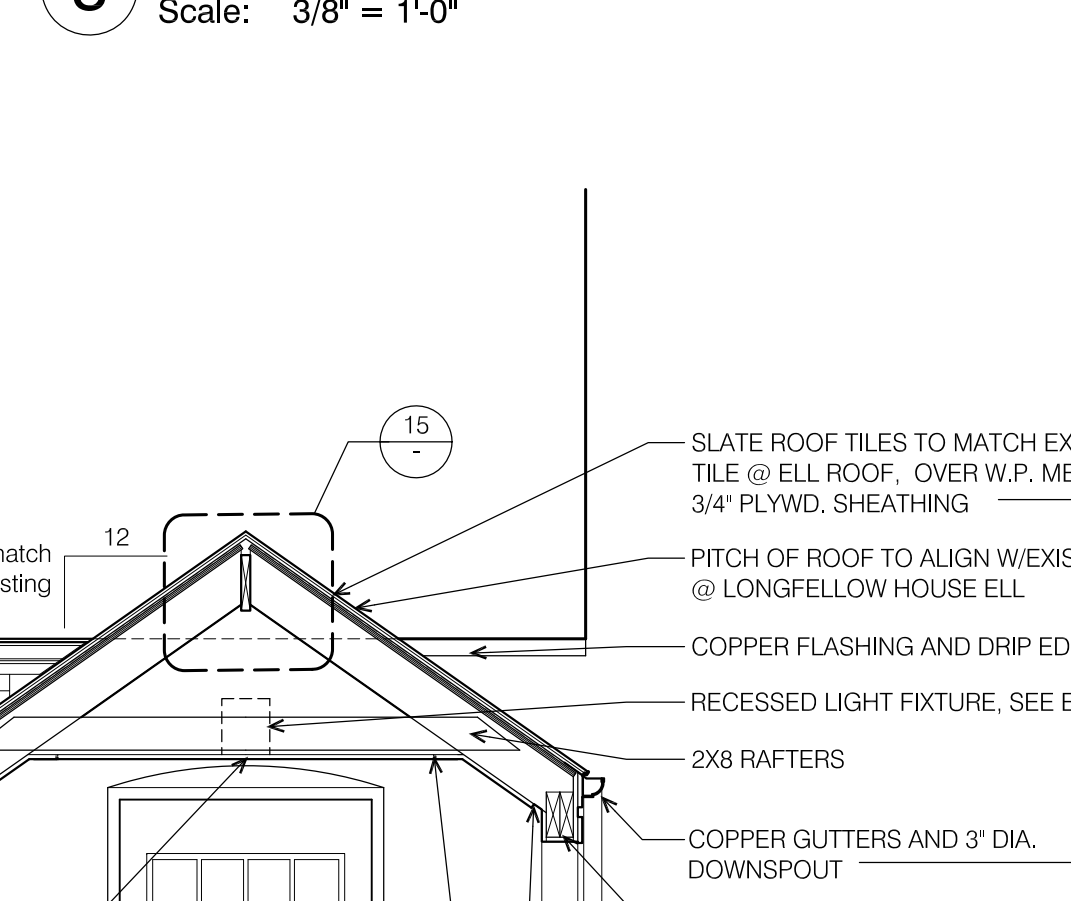
6 SECTION @ TUNNEL & STAIRS
Scale: 3/8" = 1'-0"



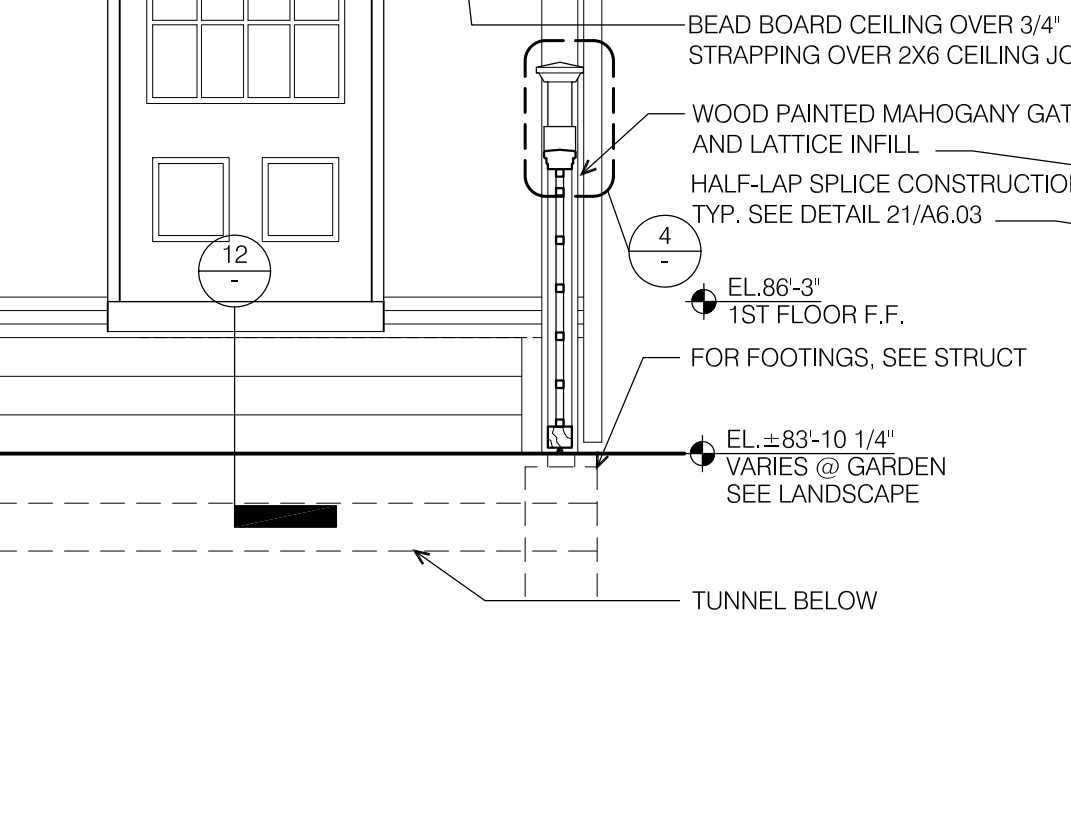
9 PLAN DETAIL AT LATTICE
Scale: 3" = 1'-0"



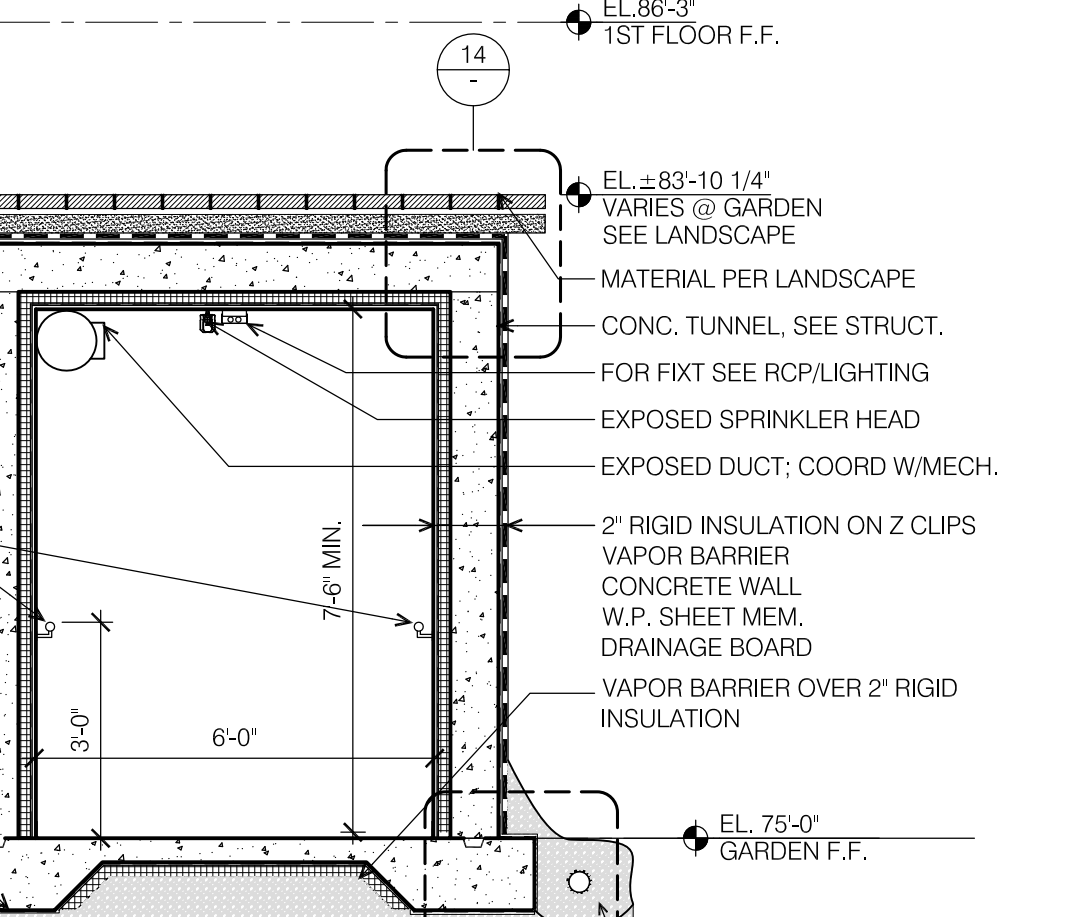
8 GARDEN GATE
Scale: 3/8" = 1'-0"



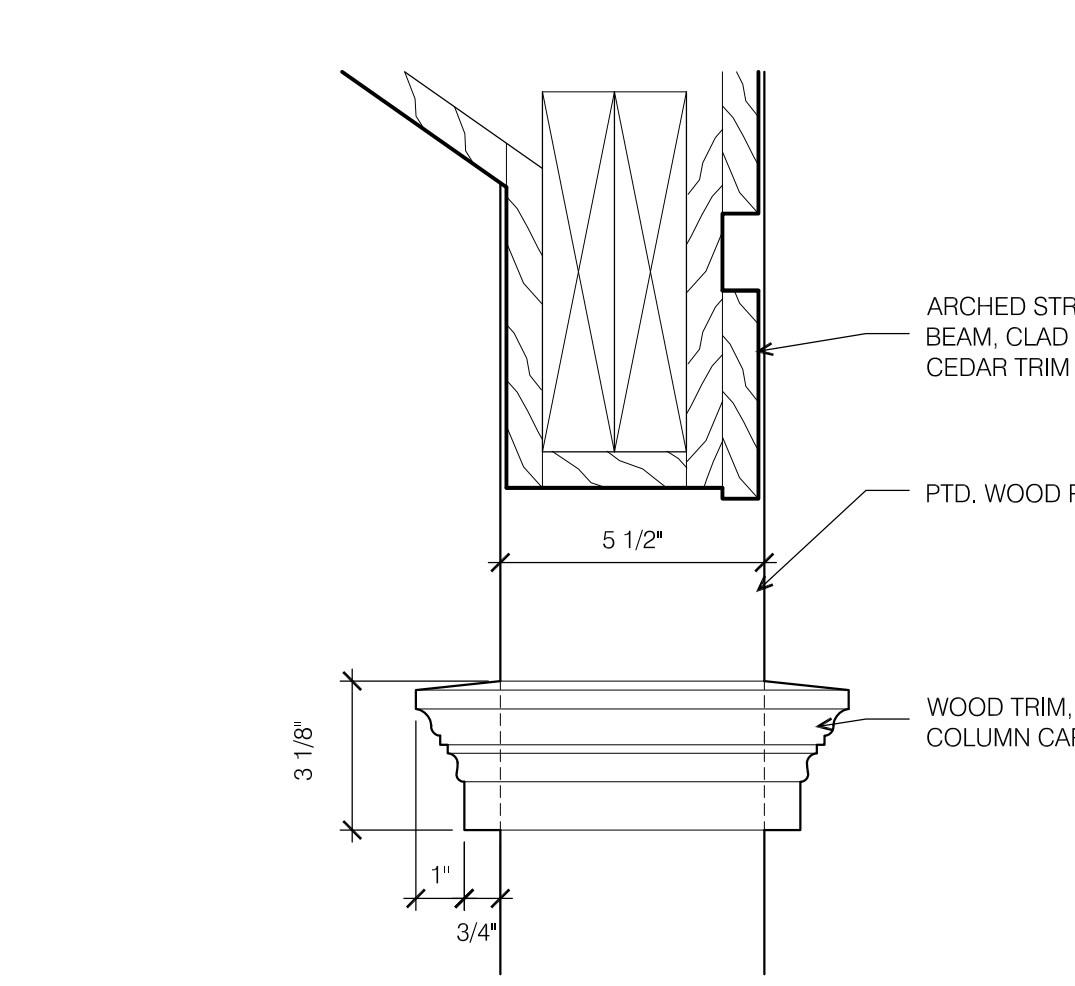
7 SECTION @ CHILDREN'S GATE
Scale: 3/8" = 1'-0"



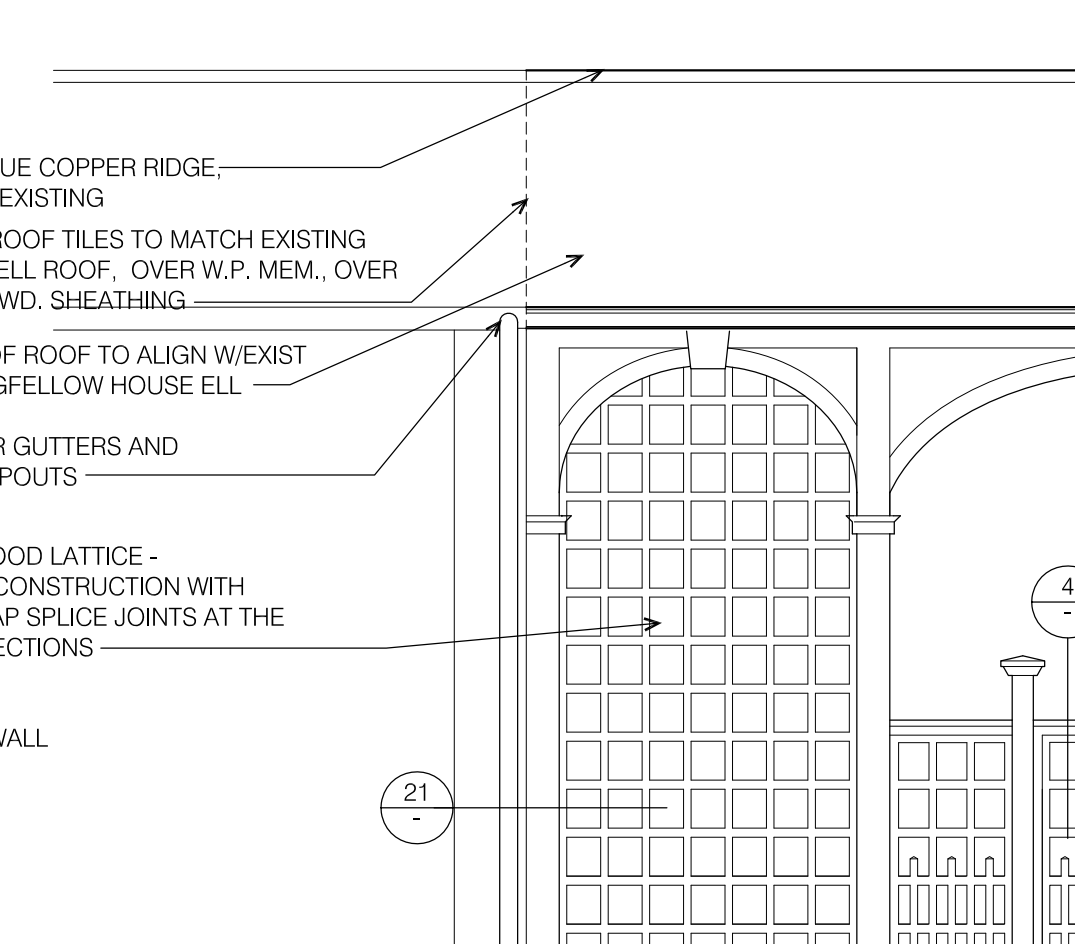
7 SECTION @ CHILDREN'S GATE
Scale: 3/8" = 1'-0"



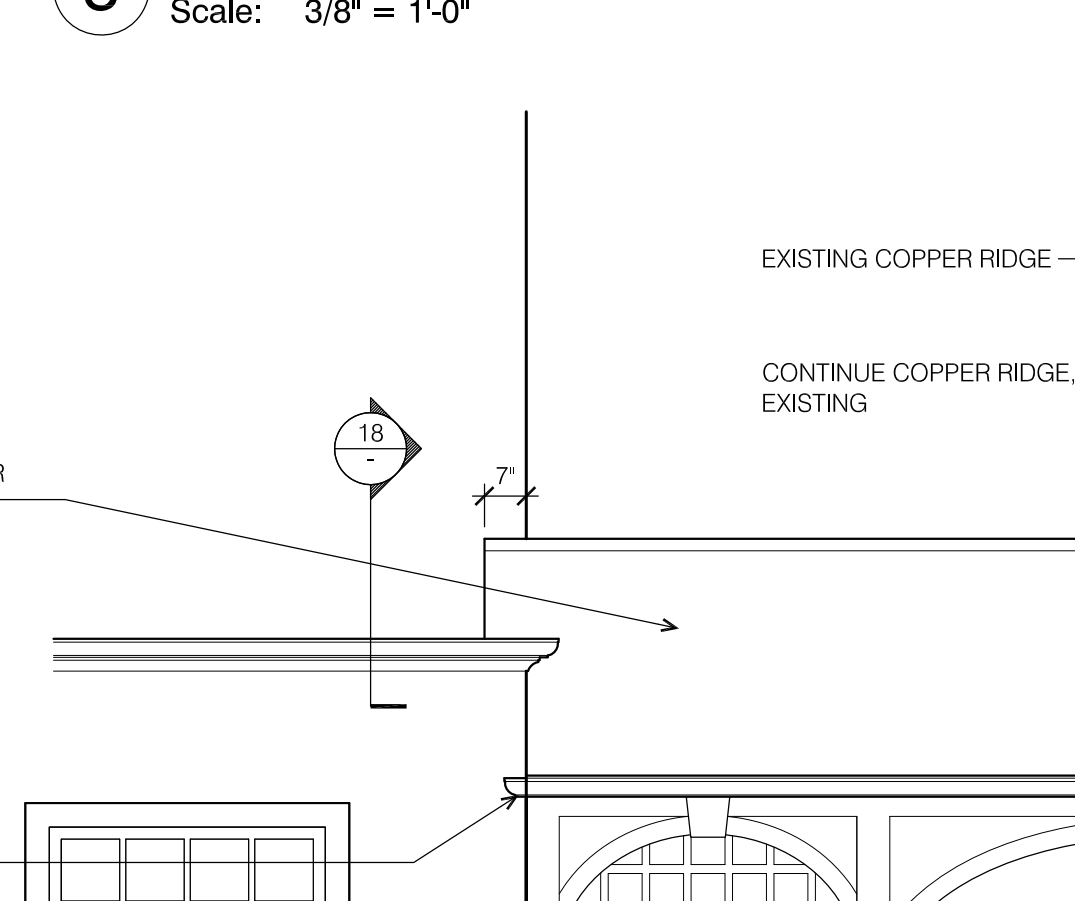
6 SECTION @ TUNNEL & STAIRS
Scale: 3/8" = 1'-0"



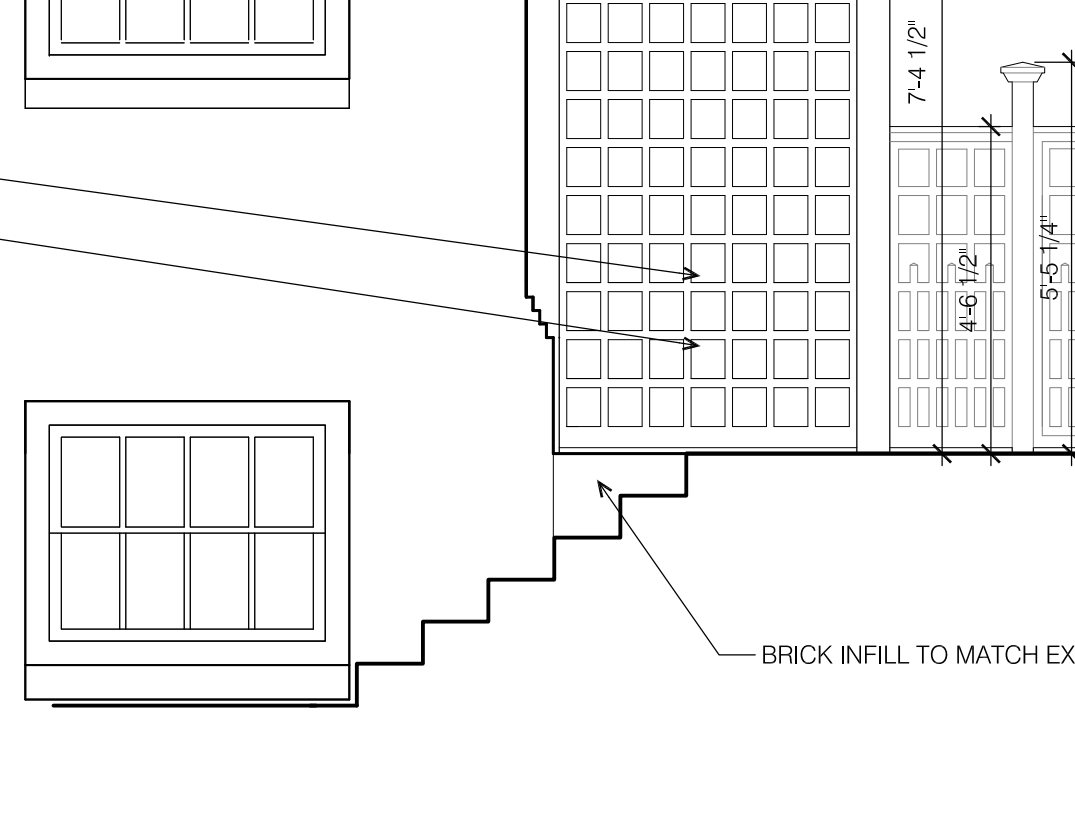
5 COLUMN CAPITAL DETAIL
Scale: 3" = 1'-0"



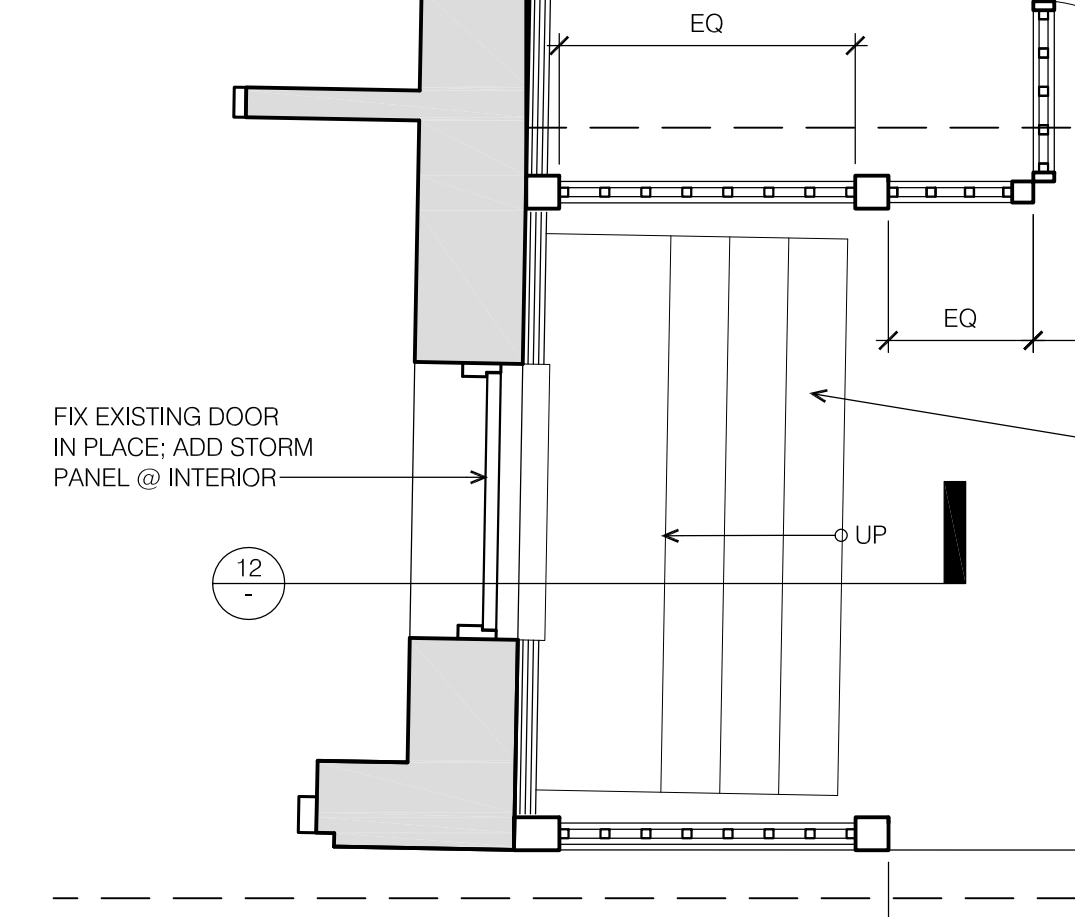
3 EAST ELEVATION OF CHILDREN'S GATE
Scale: 3/8" = 1'-0"



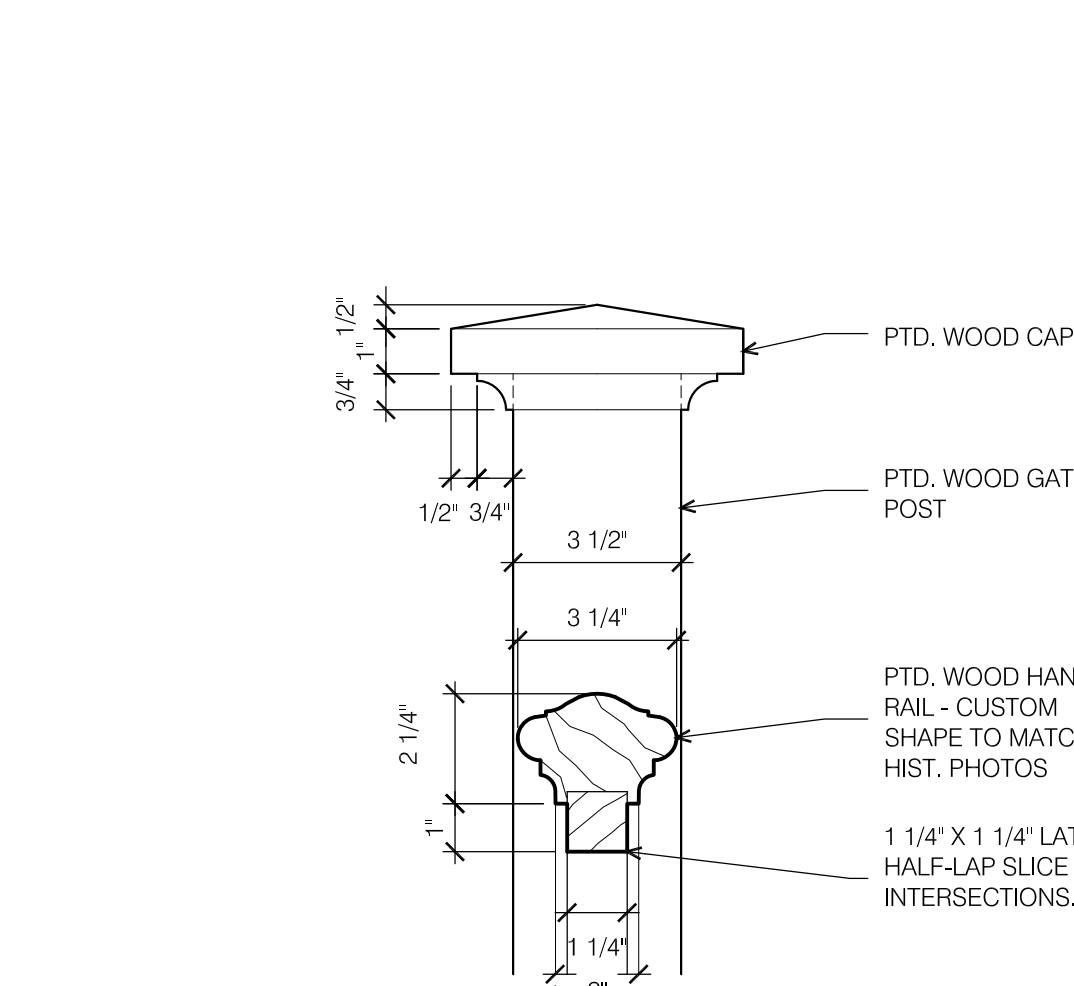
2 WEST ELEVATION OF CHILDREN'S GATE
Scale: 3/8" = 1'-0"



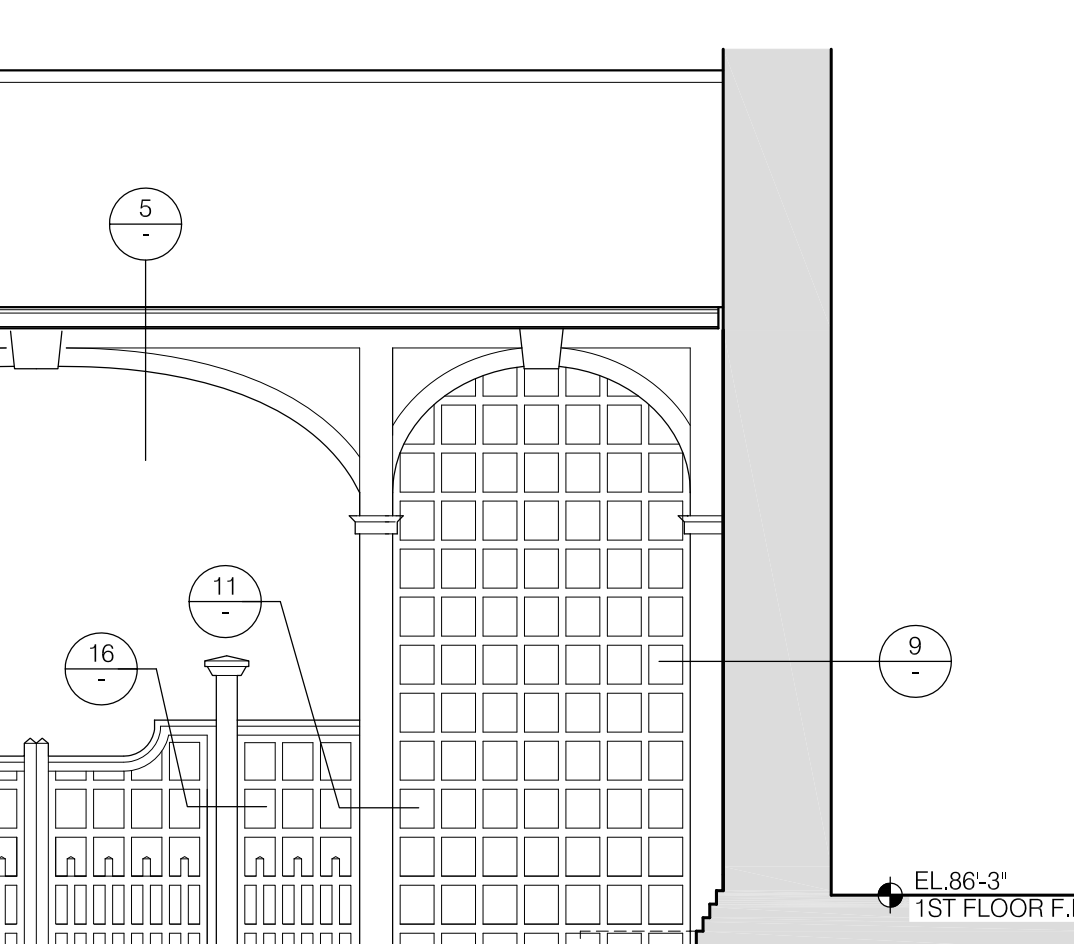
1 PLAN @ CHILDREN'S GATE
Scale: 3/8" = 1'-0"



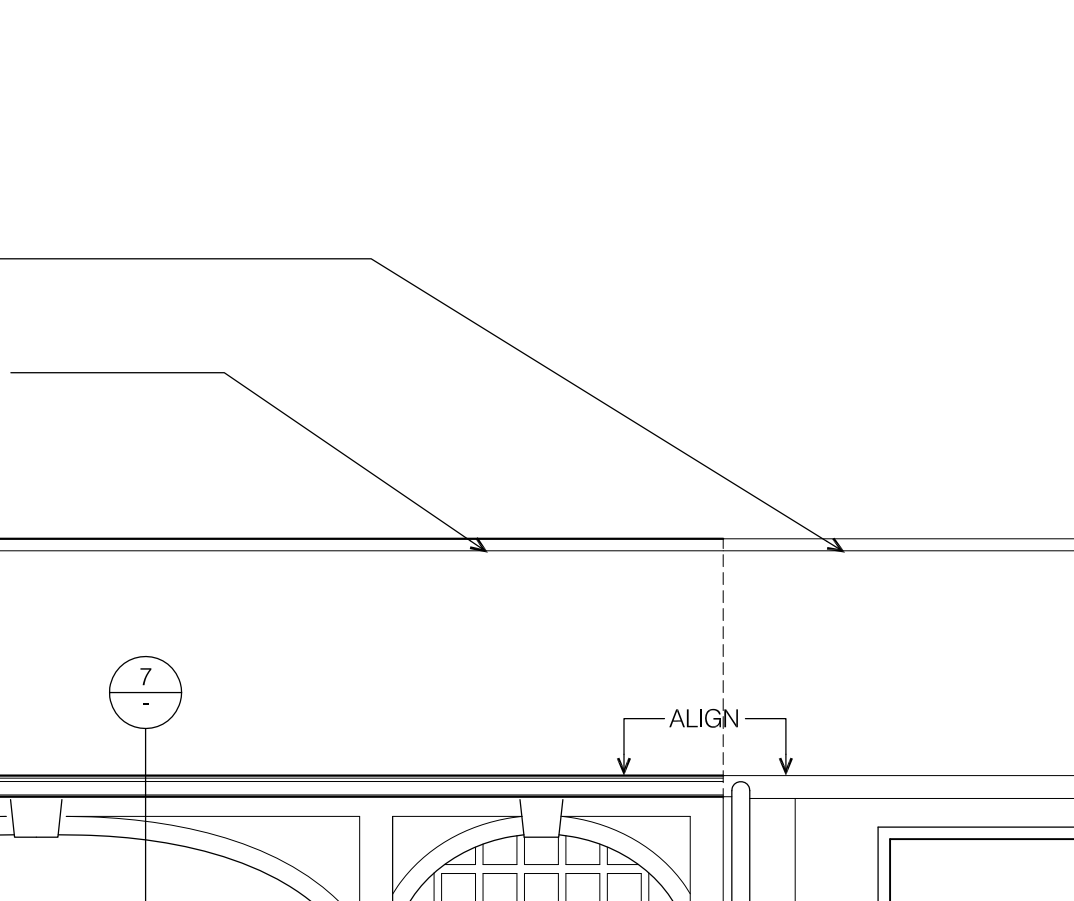
1 PLAN @ CHILDREN'S GATE
Scale: 3/8" = 1'-0"



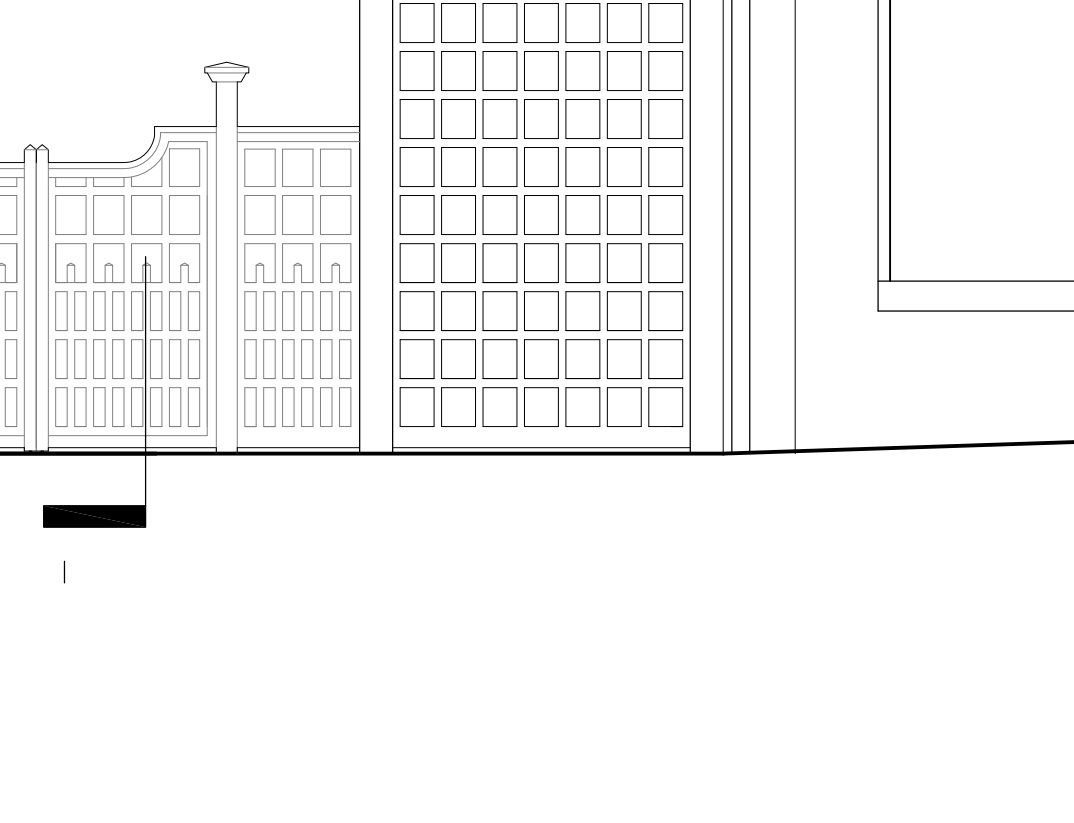
4 HANDRAIL DETAIL
Scale: 3" = 1'-0"



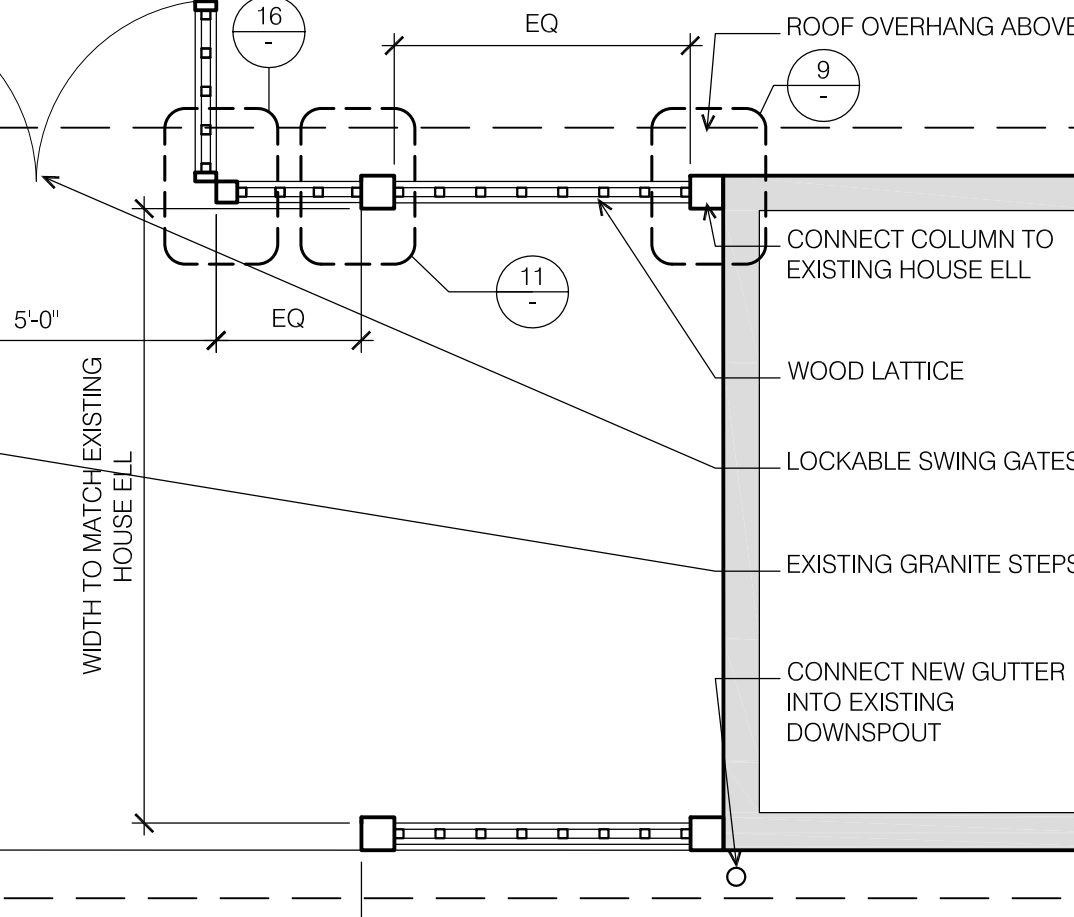
3 EAST ELEVATION OF CHILDREN'S GATE
Scale: 3/8" = 1'-0"



2 WEST ELEVATION OF CHILDREN'S GATE
Scale: 3/8" = 1'-0"



1 PLAN @ CHILDREN'S GATE
Scale: 3/8" = 1'-0"



1 PLAN @ CHILDREN'S GATE
Scale: 3/8" = 1'-0"

DATE	REVISIONS	DRAWING TITLE
09/13/07	REVISION 01	CHILDREN'S GATE AND TUNNEL PLANS, ELEVATIONS, AND DETAILS

DATE	REVISIONS	DRAWING TITLE
09/13/07	REVISION 01	CHILDREN'S GATE AND TUNNEL PLANS, ELEVATIONS, AND DETAILS