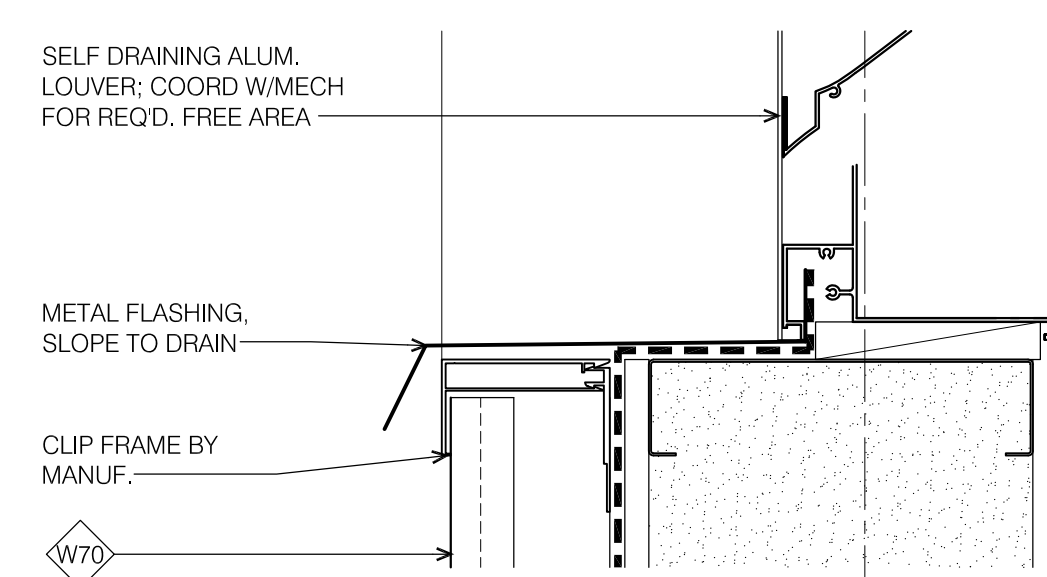
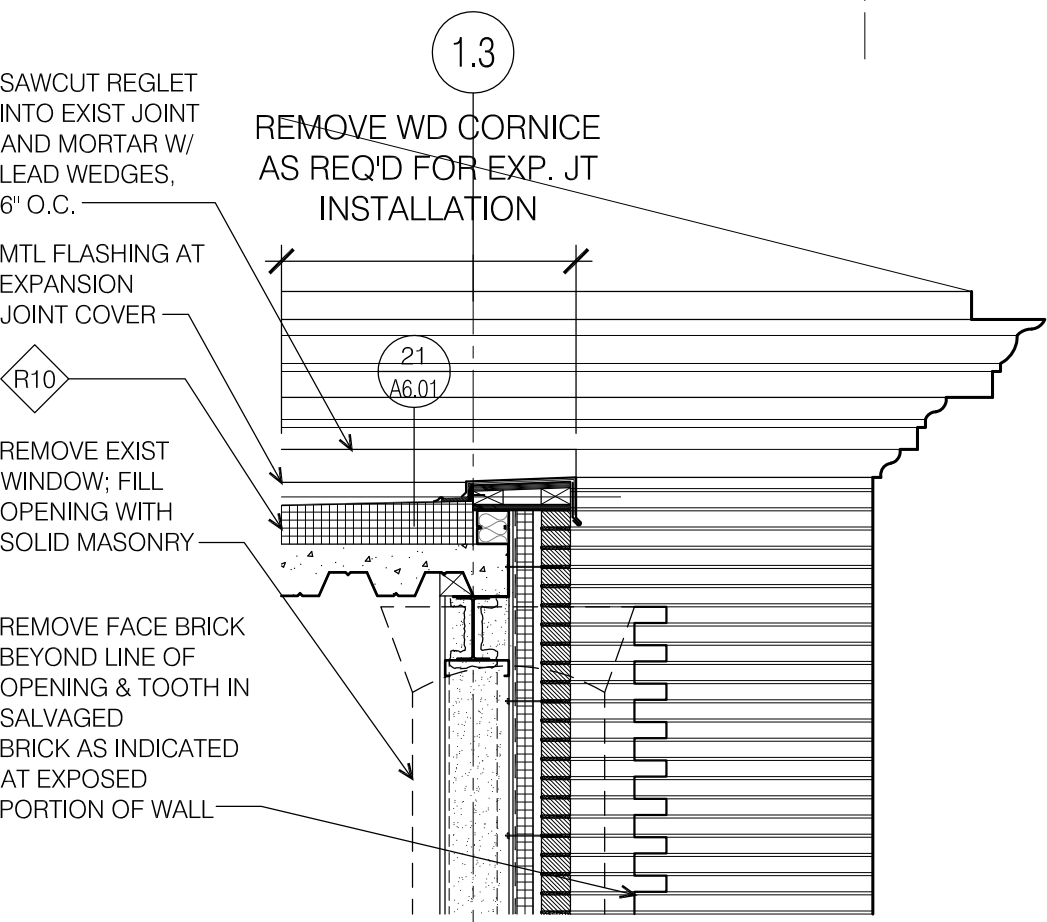


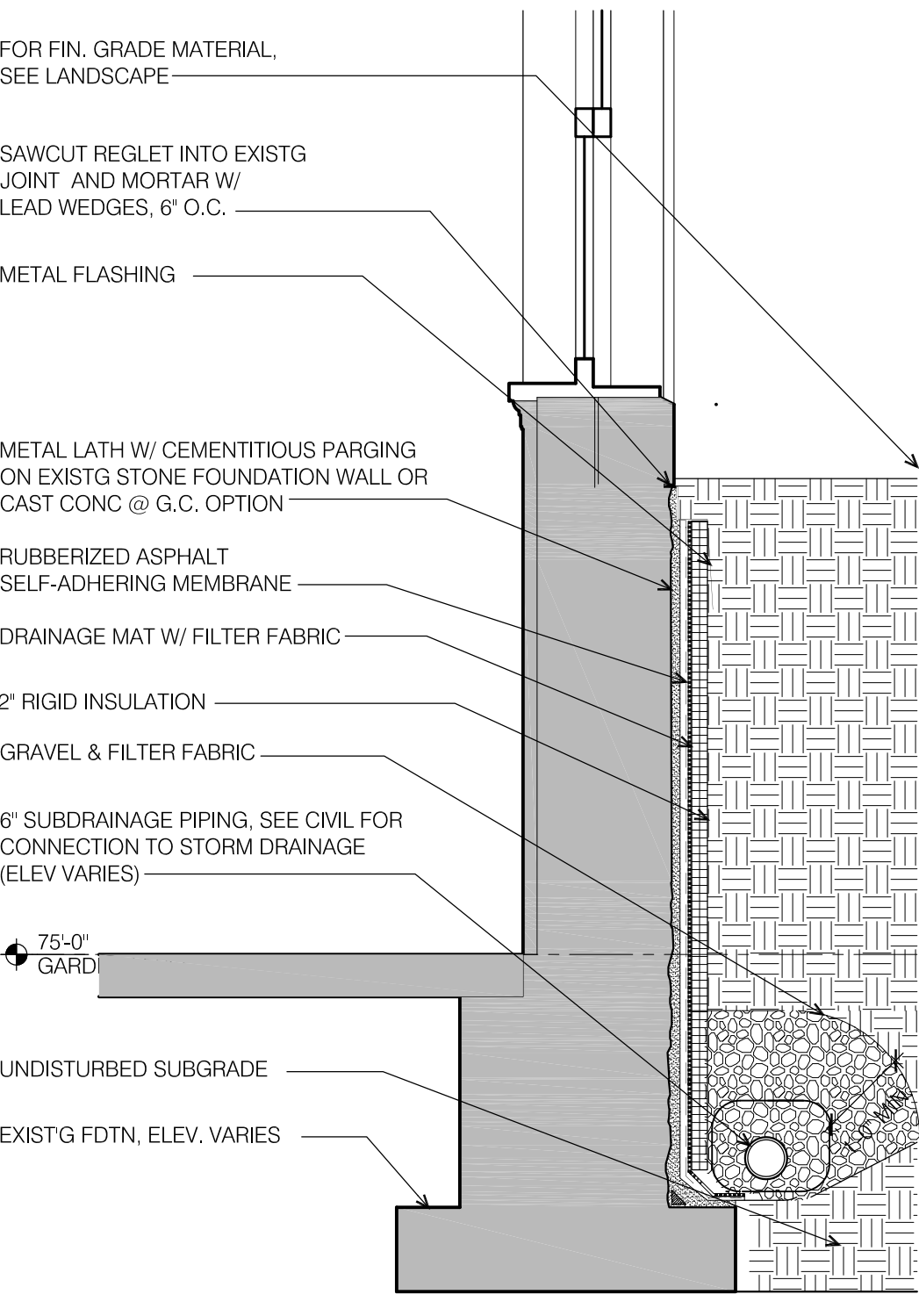
24 SECTION @ LOUVER HEAD
Scale: 3"=1'-0"



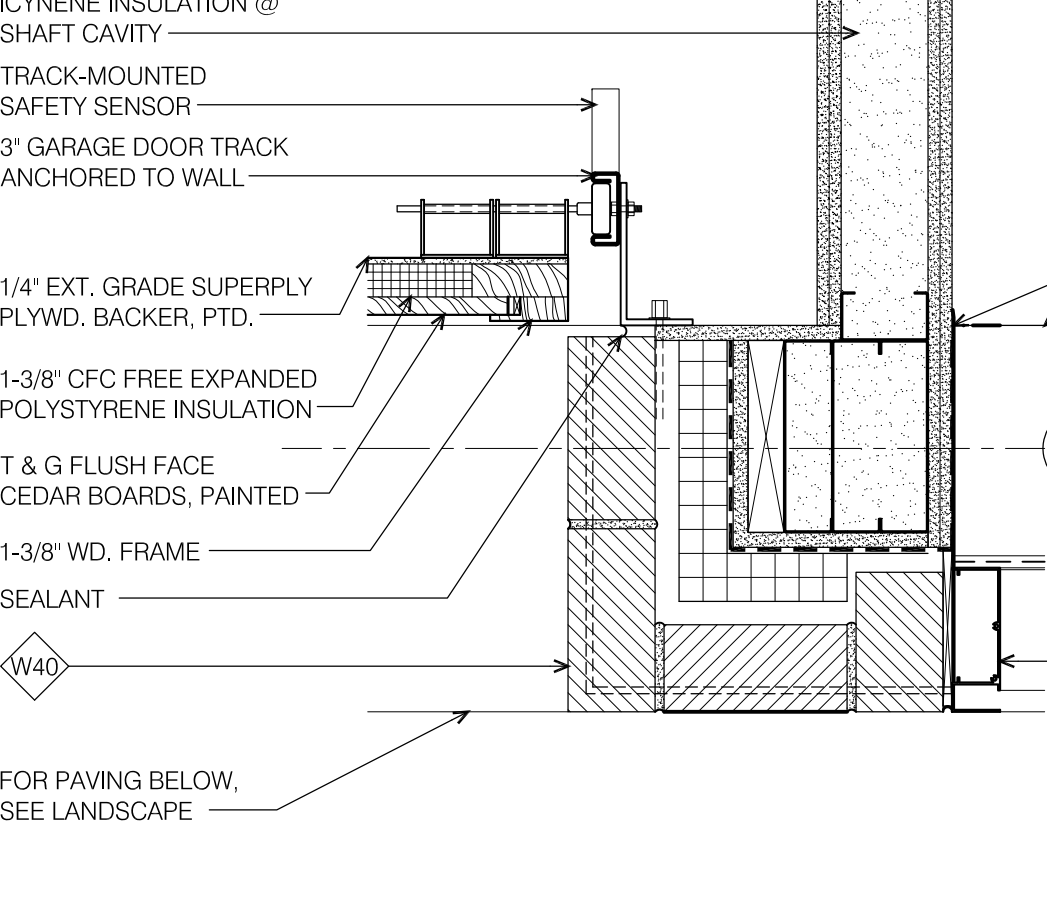
23 SECTION @ LOUVER SILL / JAMB SIM.
Scale: 3"=1'-0"



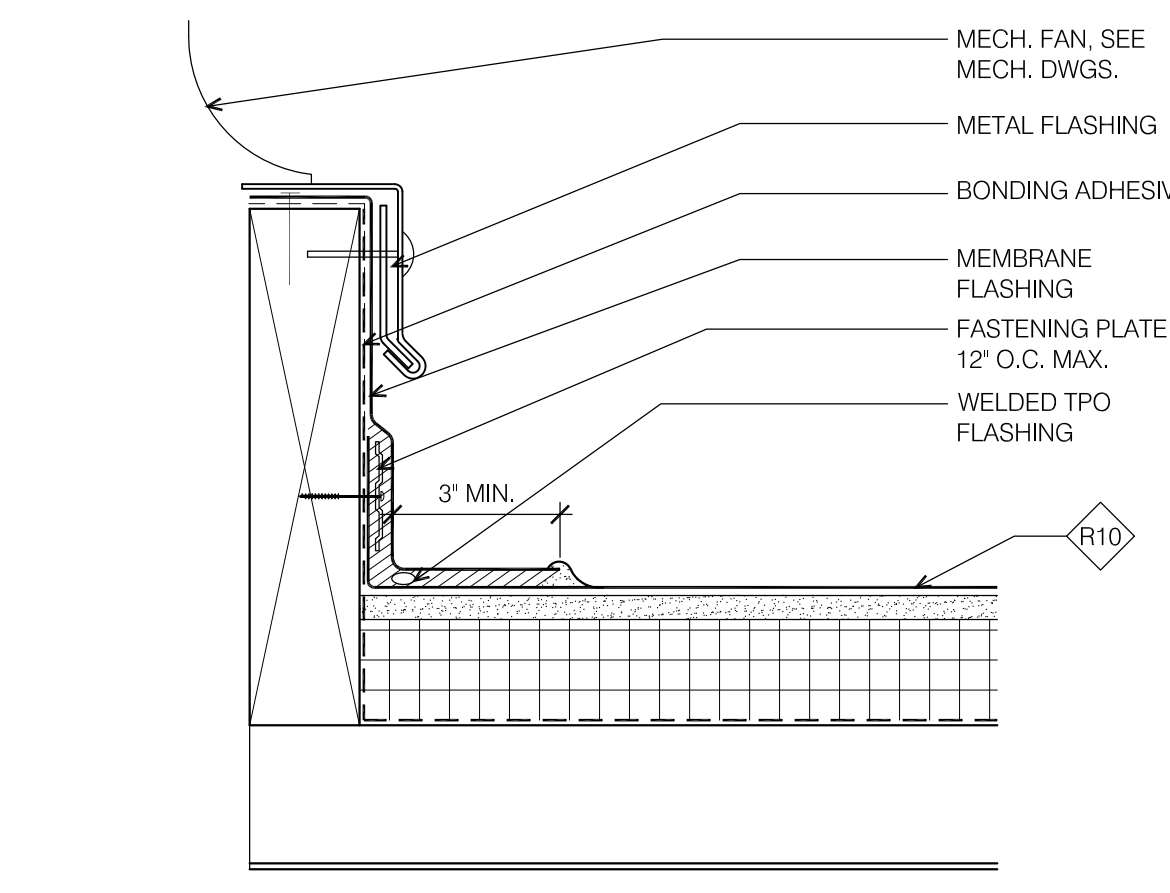
22 SECTION
Scale: 1/2"=1'-0"



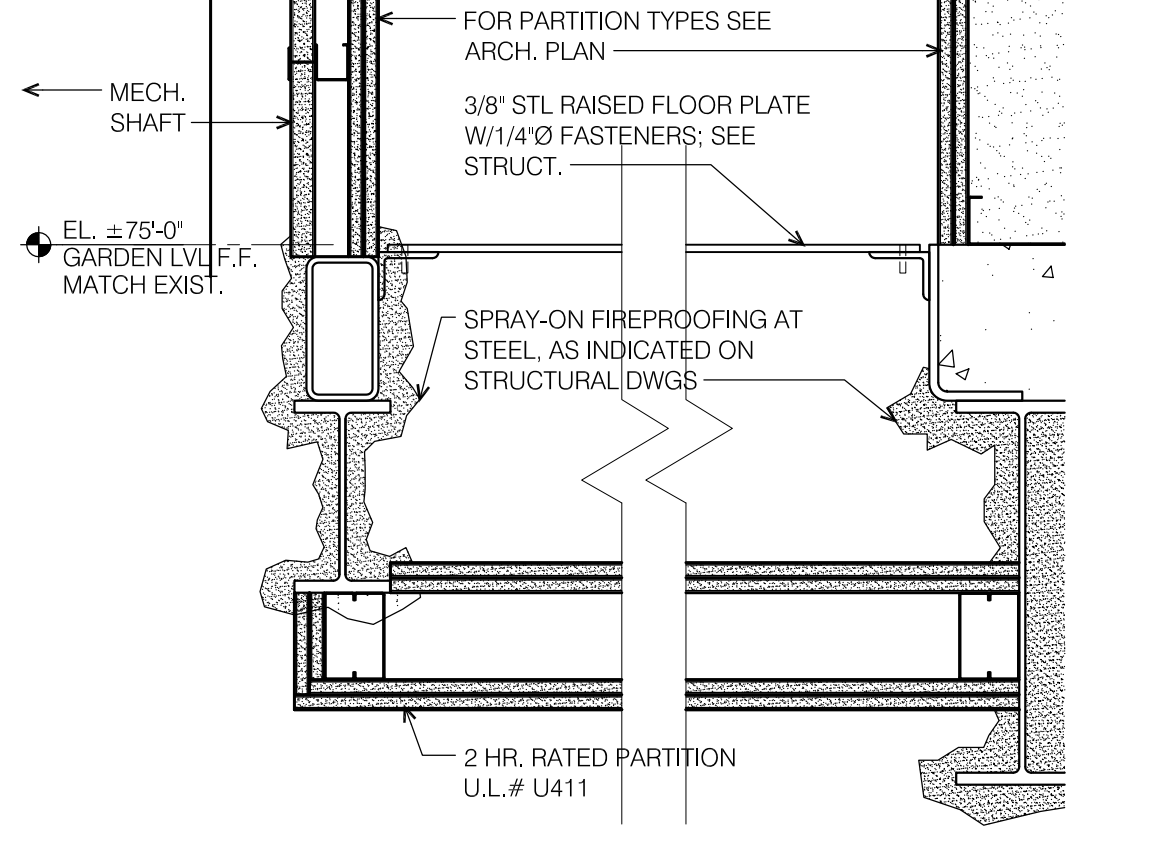
21 SECTION @ EXIST. FDTN
Scale: 1/2"=1'-0"



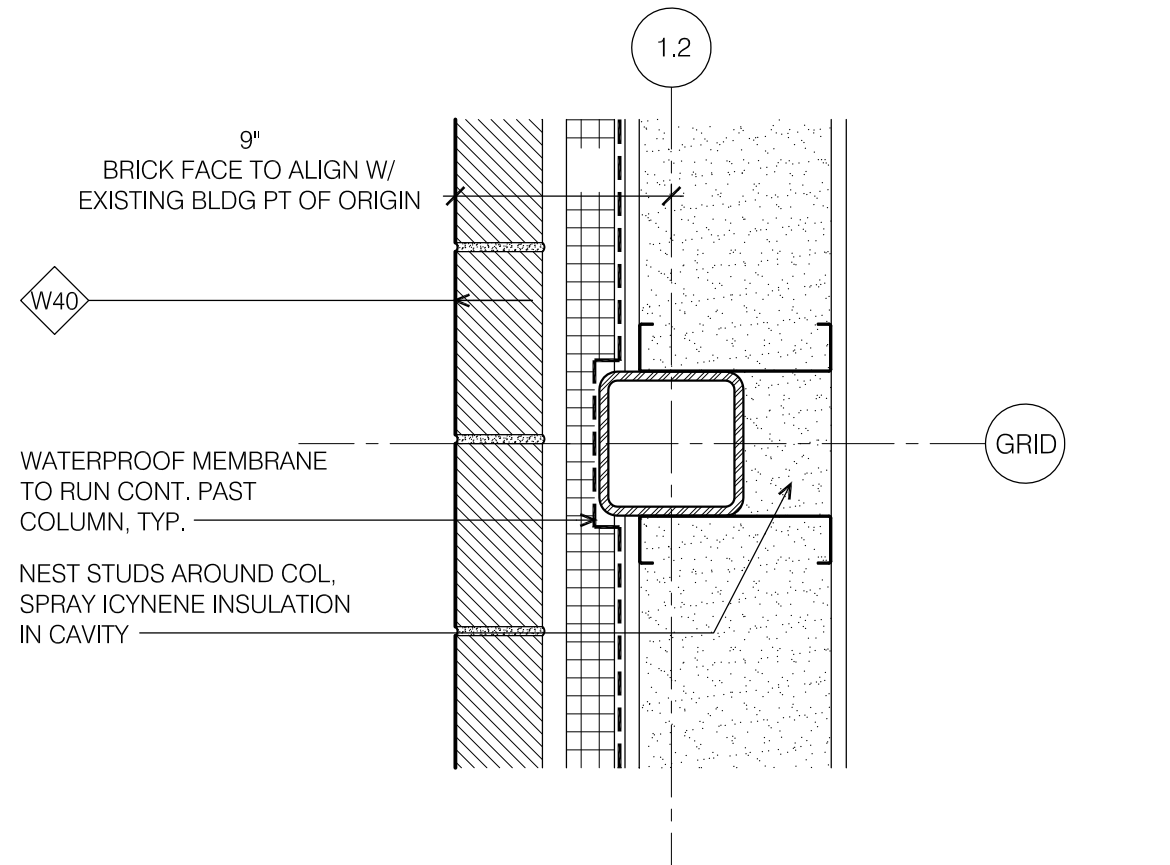
20 PLAN DETAIL @ BRICK JAMB
Scale: 1 1/2"=1'-0"



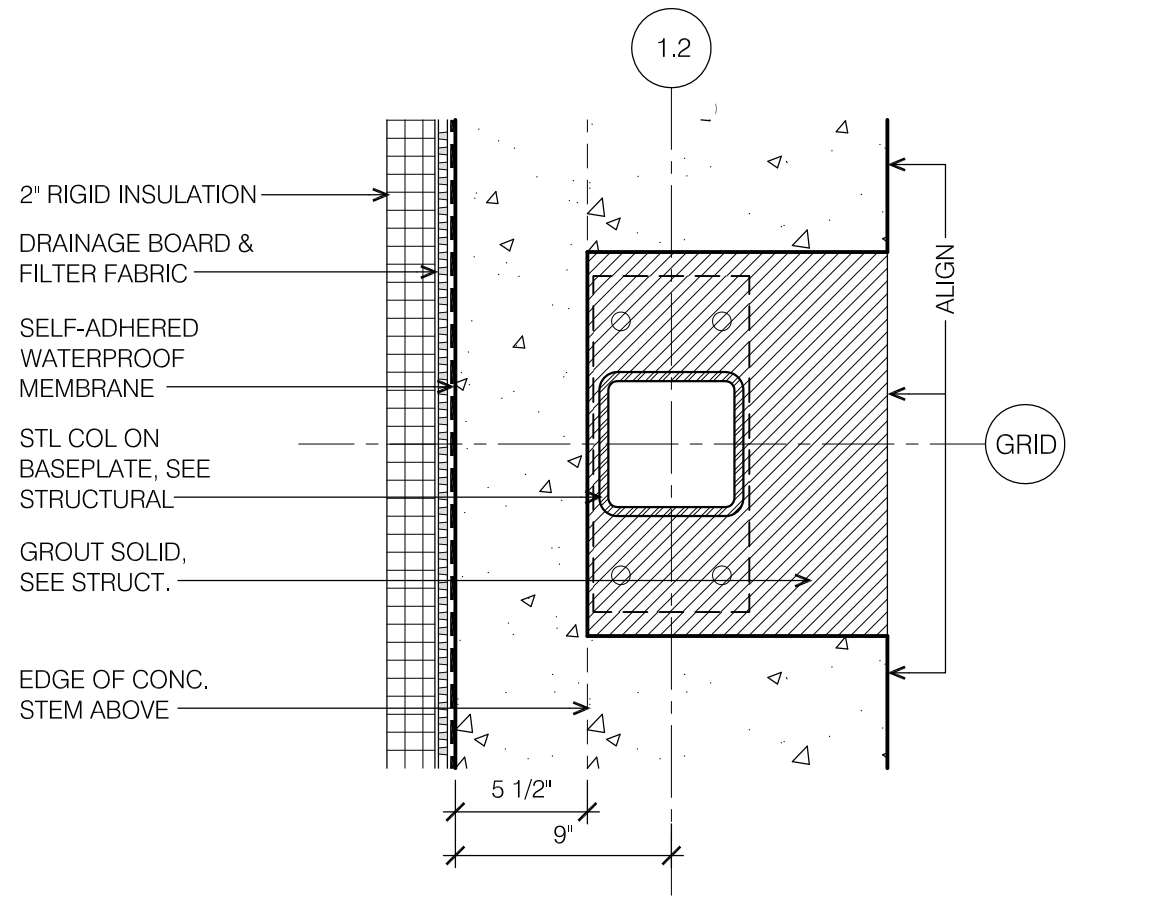
19 SECTION @ FAN CURB
Scale: 3"=1'-0"



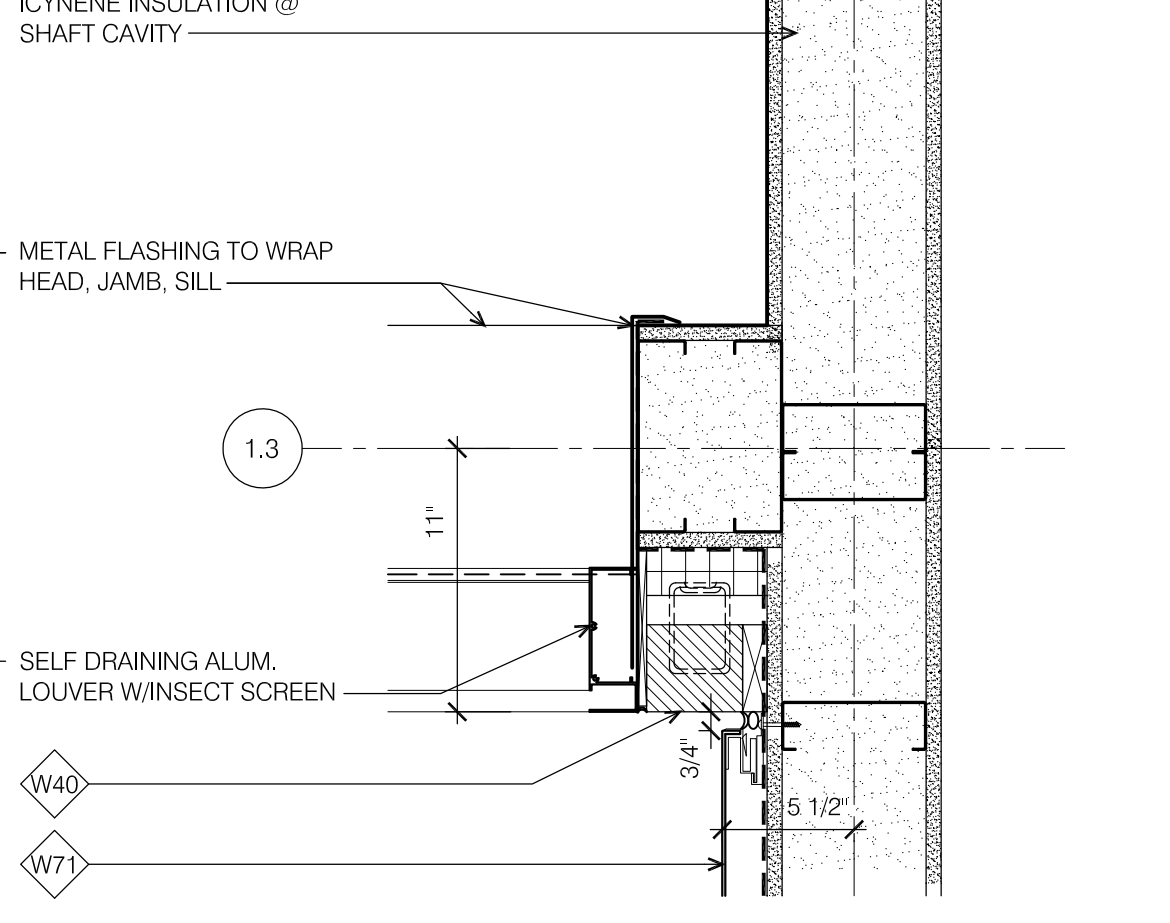
18 SECTION @ BREAKAWAY PANEL
Scale: 1 1/2"=1'-0"



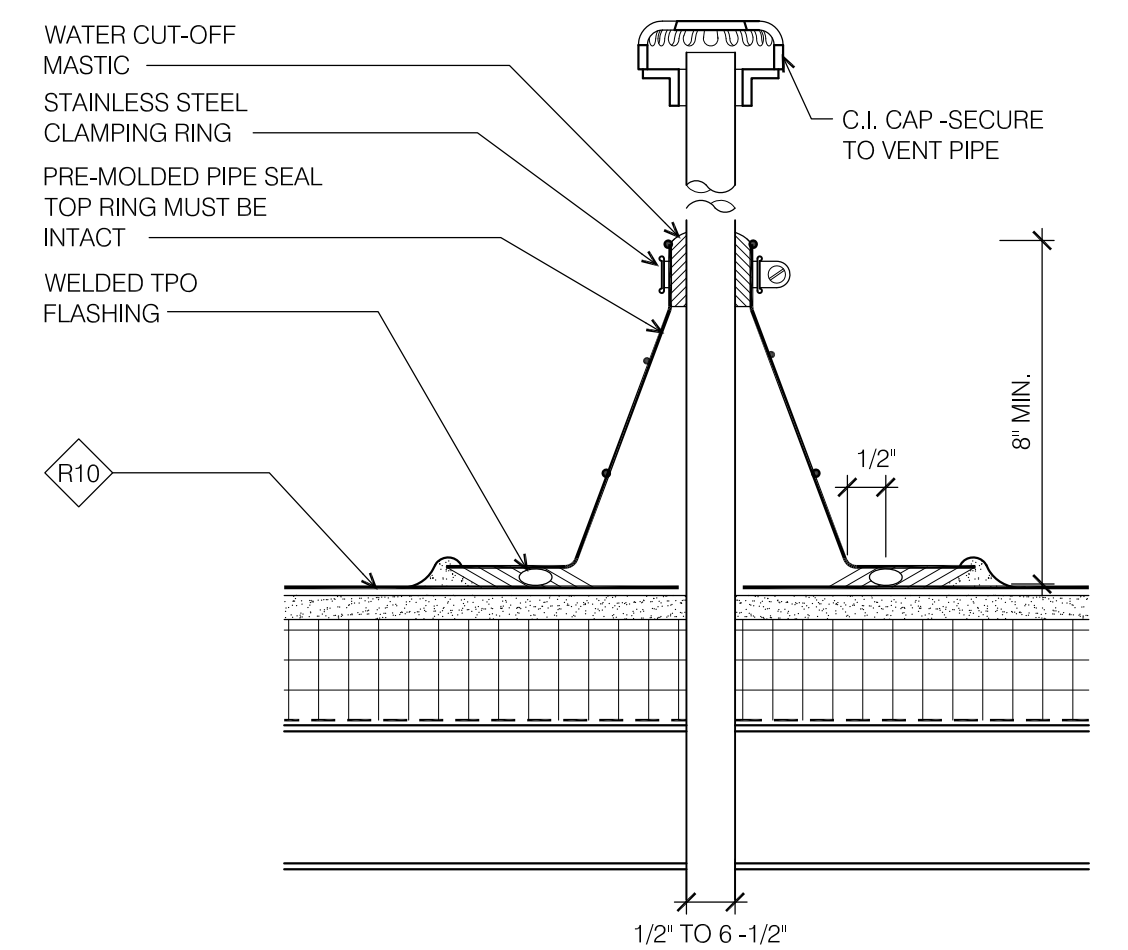
17 PLAN DETAIL @ W40 / COLUMN
Scale: 1 1/2"=1'-0"



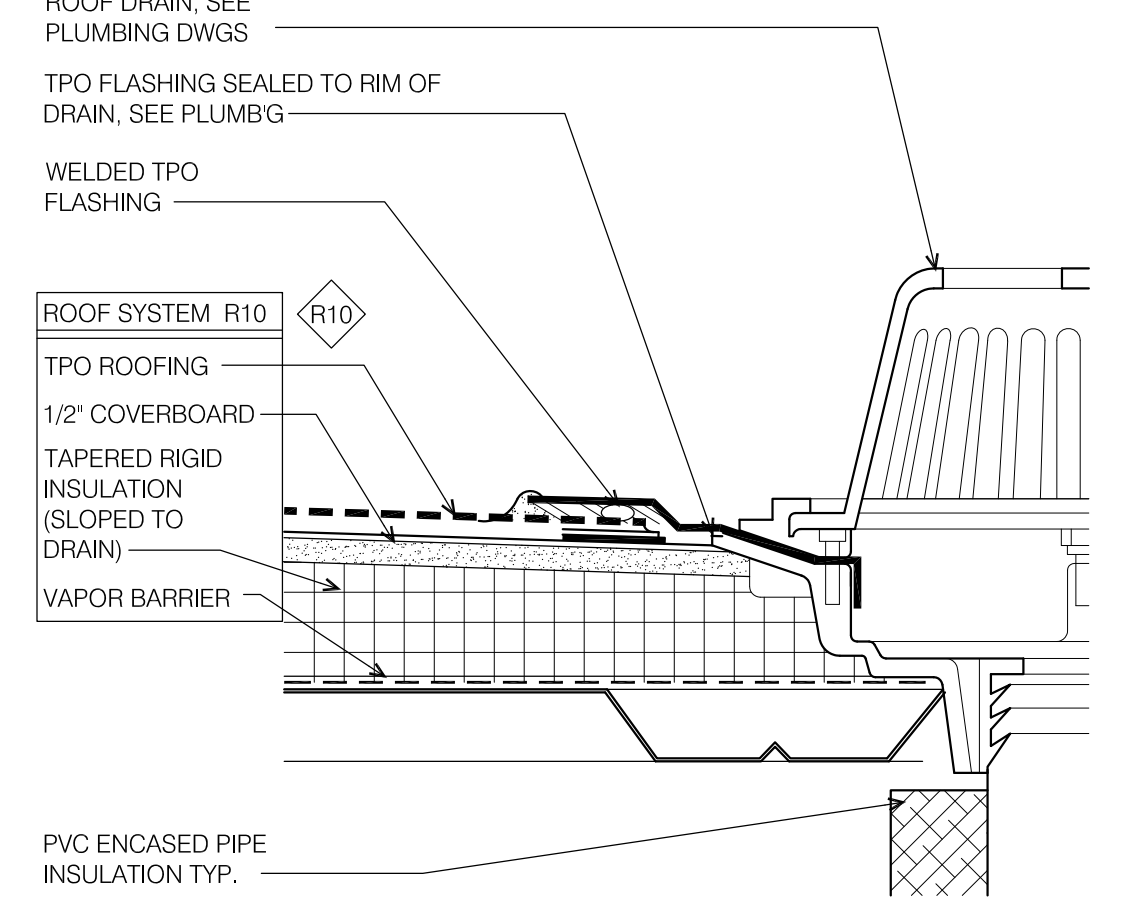
16 PLAN DETAIL @ FDTN WALL
Scale: 1 1/2"=1'-0"



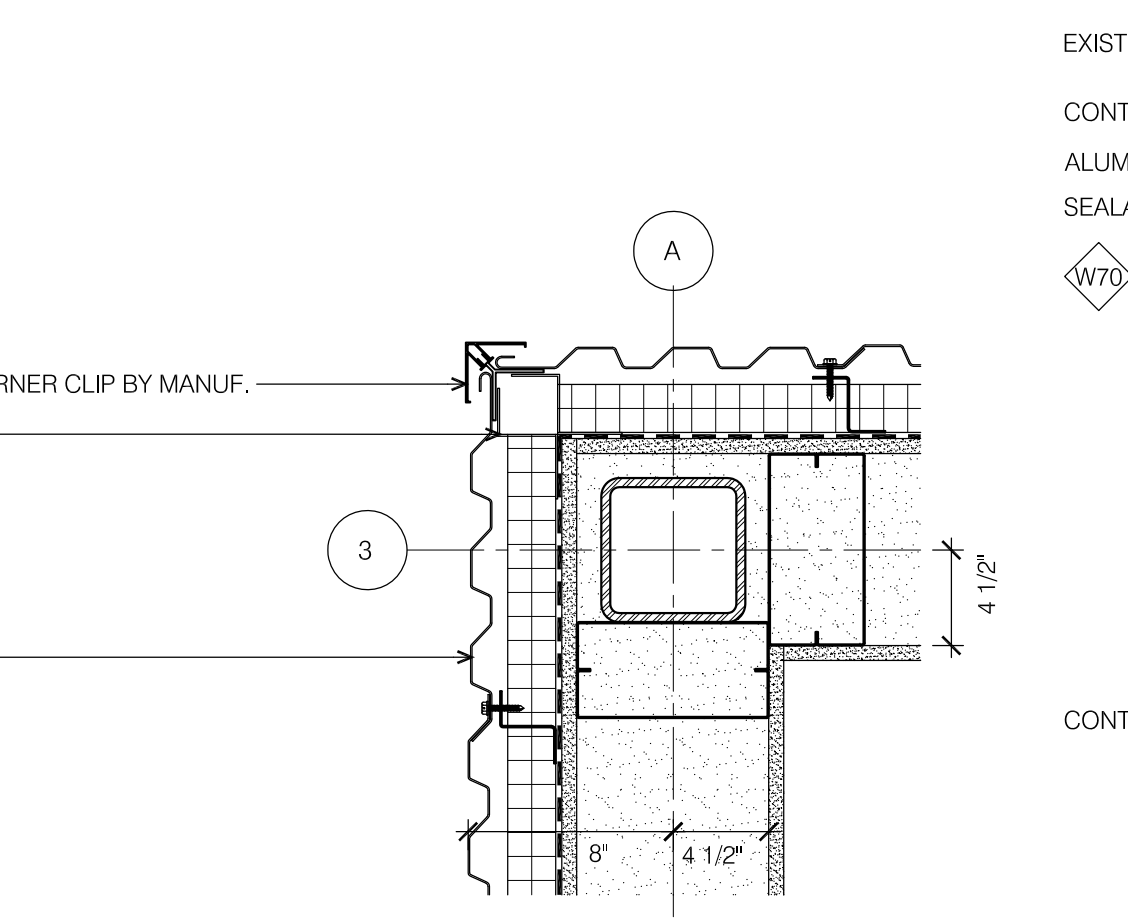
15 PLAN DETAIL @ W40 / W71
Scale: 1 1/2"=1'-0"



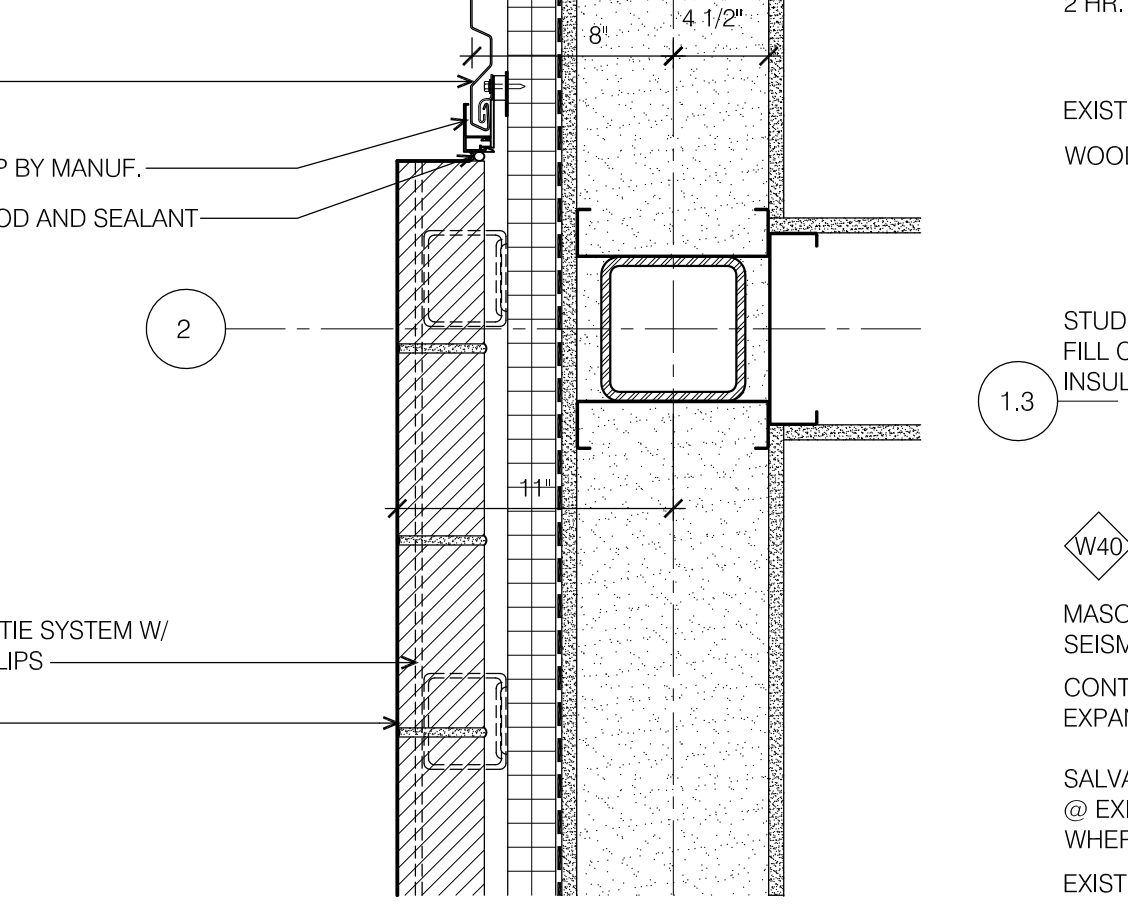
14 SECTION @ VENT PENETRATION
Scale: 3"=1'-0"



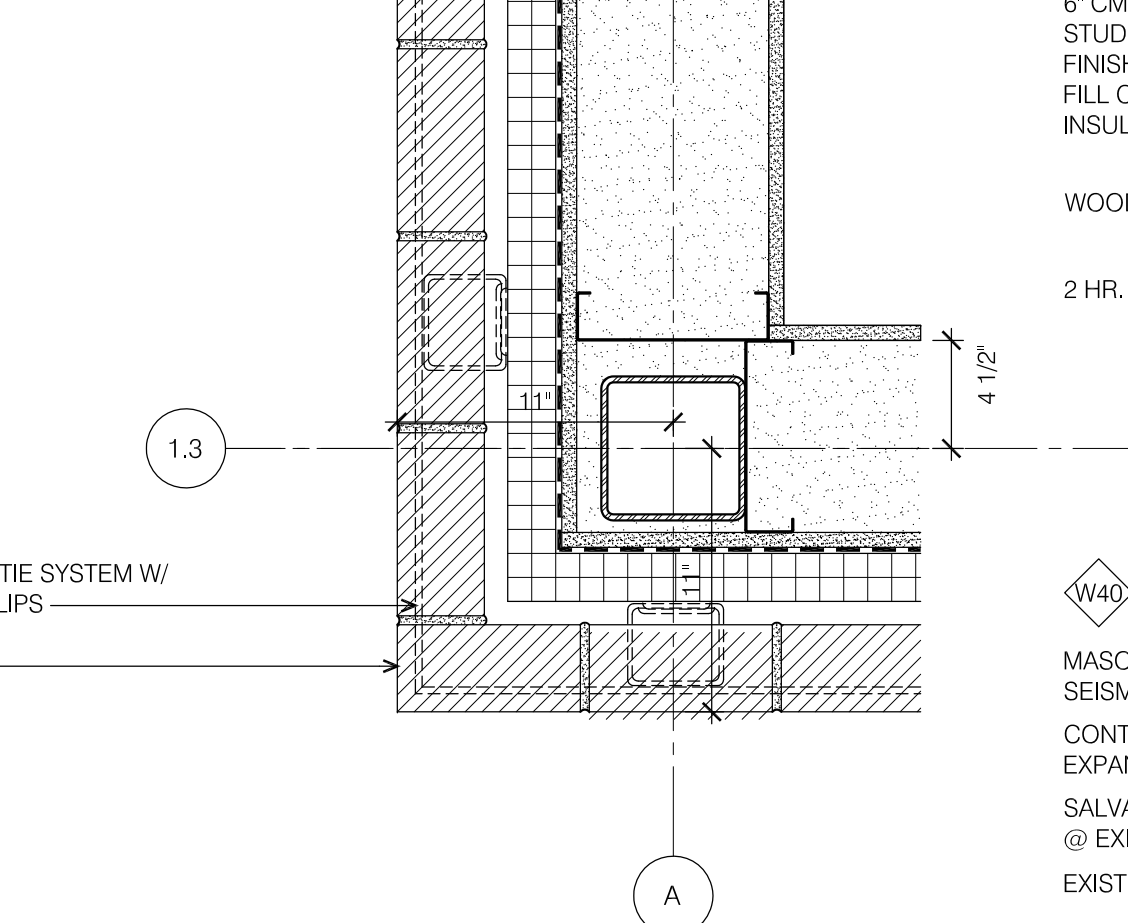
13 SECTION @ ROOF DRAIN
Scale: 3"=1'-0"



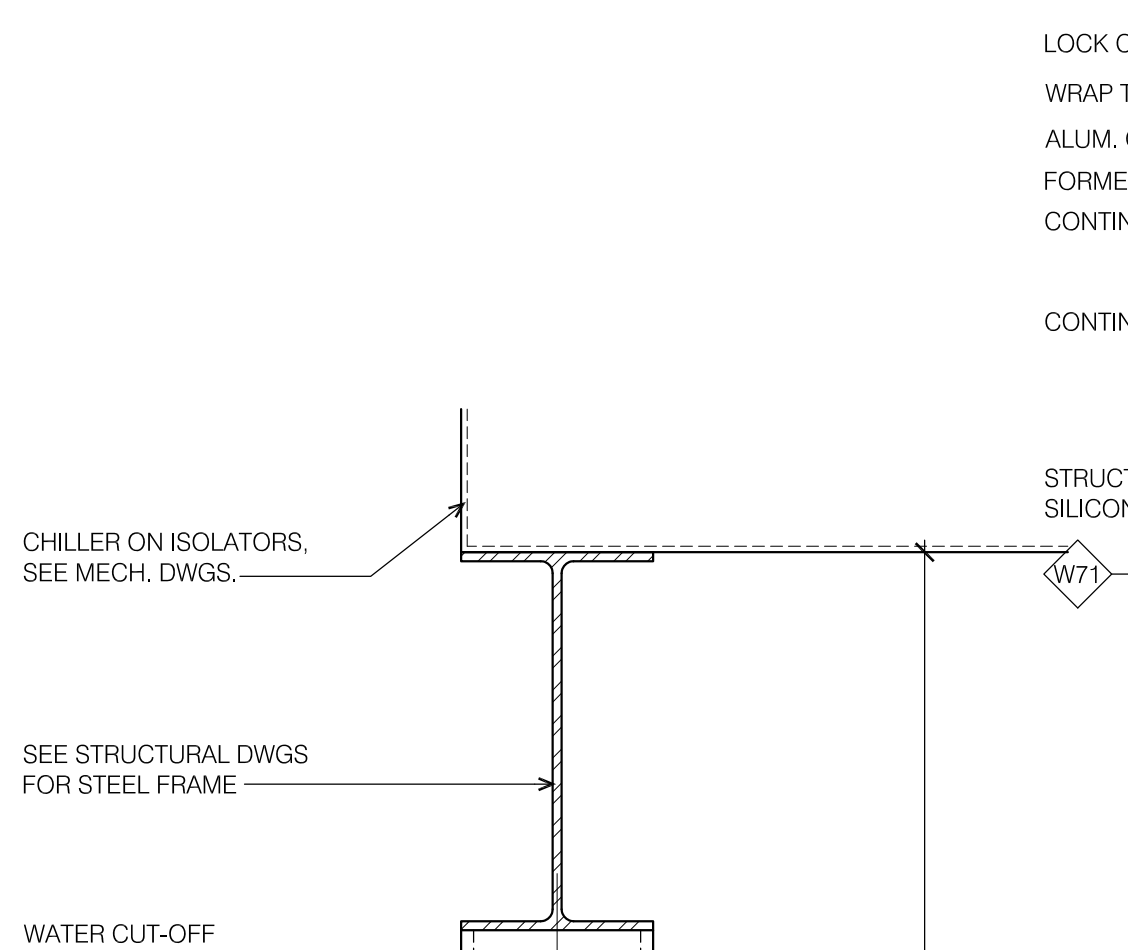
12 PLAN DETAIL @ W70 CORNER
Scale: 1 1/2"=1'-0"



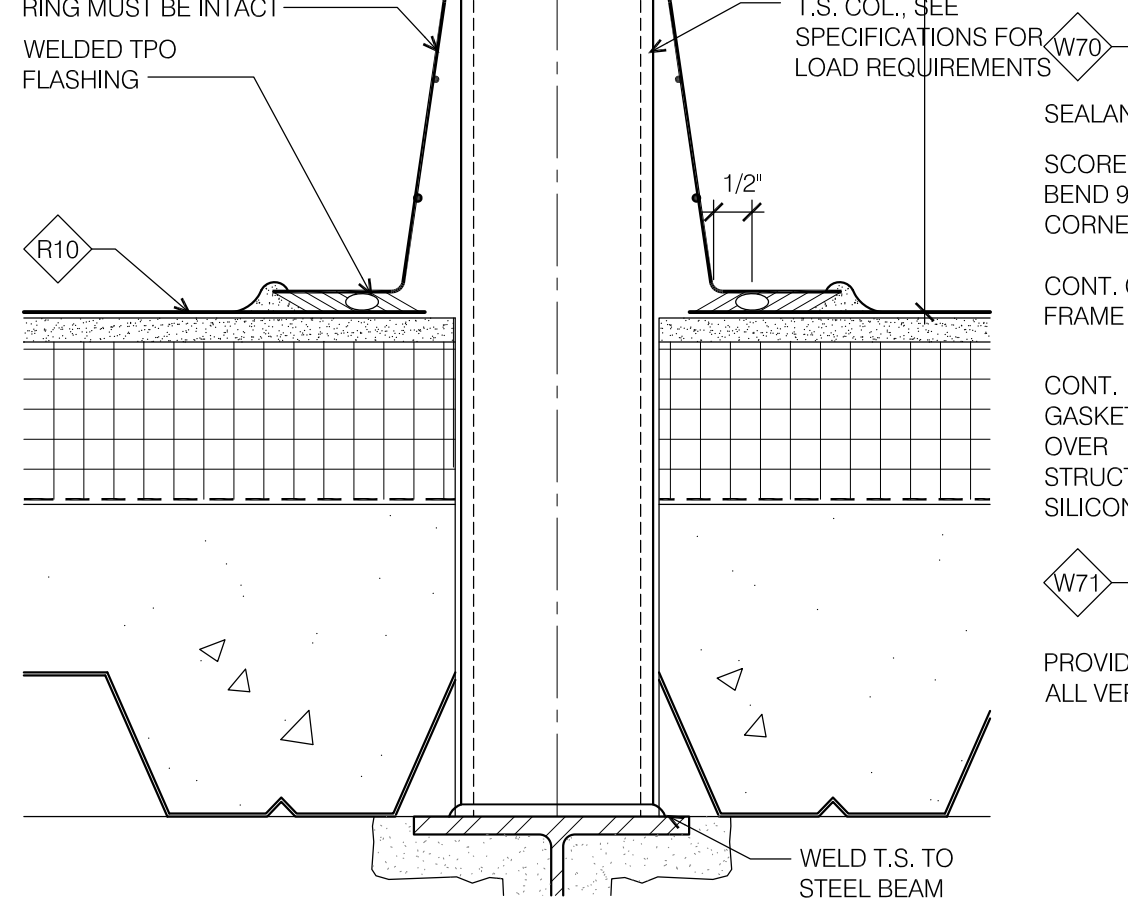
11 PLAN DETAIL @ W70 / W40
Scale: 1 1/2"=1'-0"



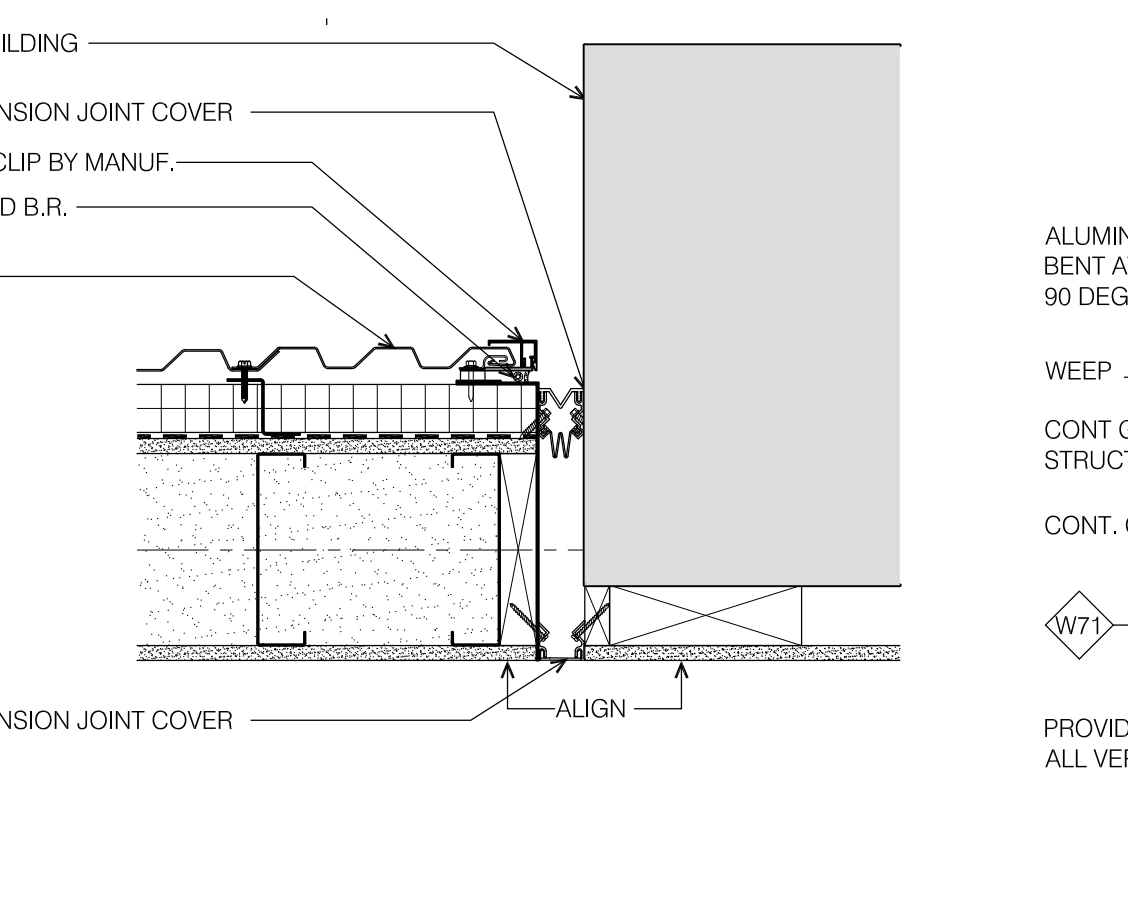
10 PLAN DETAIL @ W40 CORNER
Scale: 1 1/2"=1'-0"



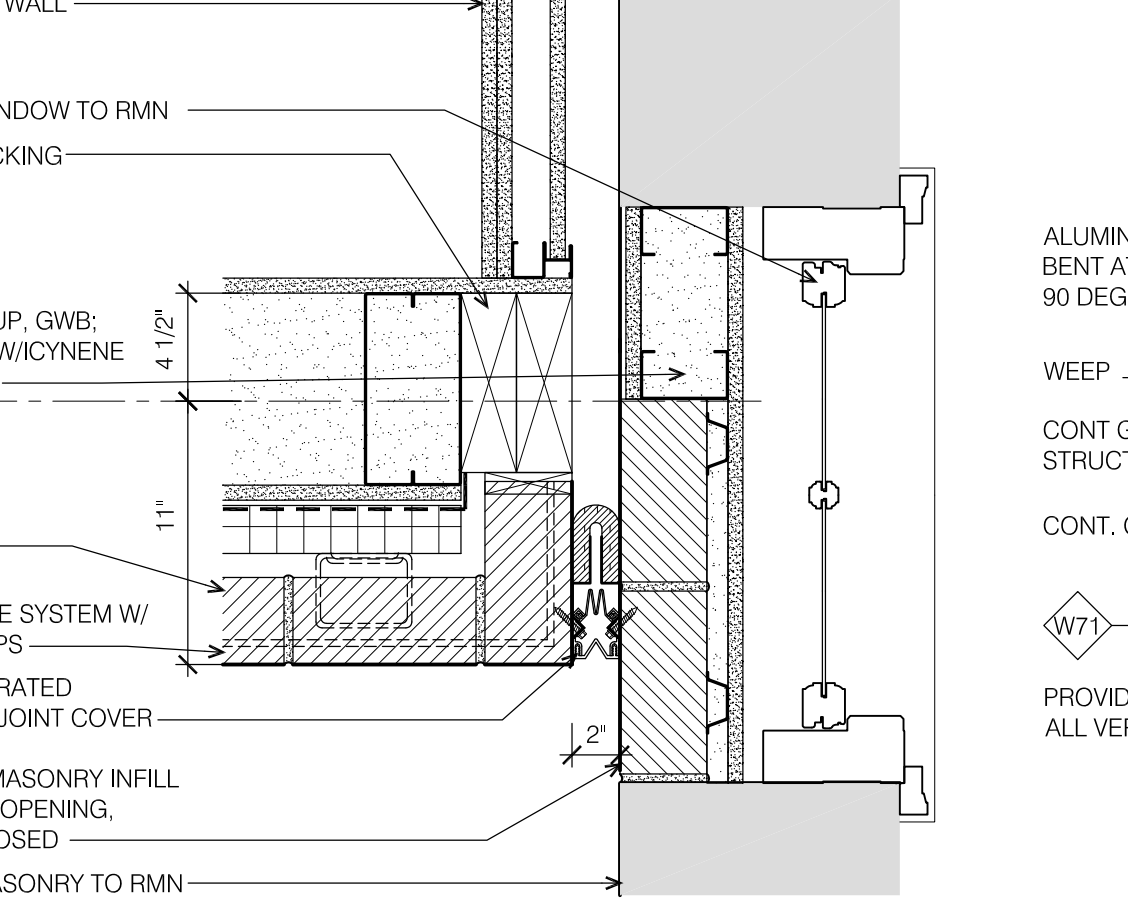
9 SECTION @ EQUIP SUPPORTS
Scale: 3"=1'-0"



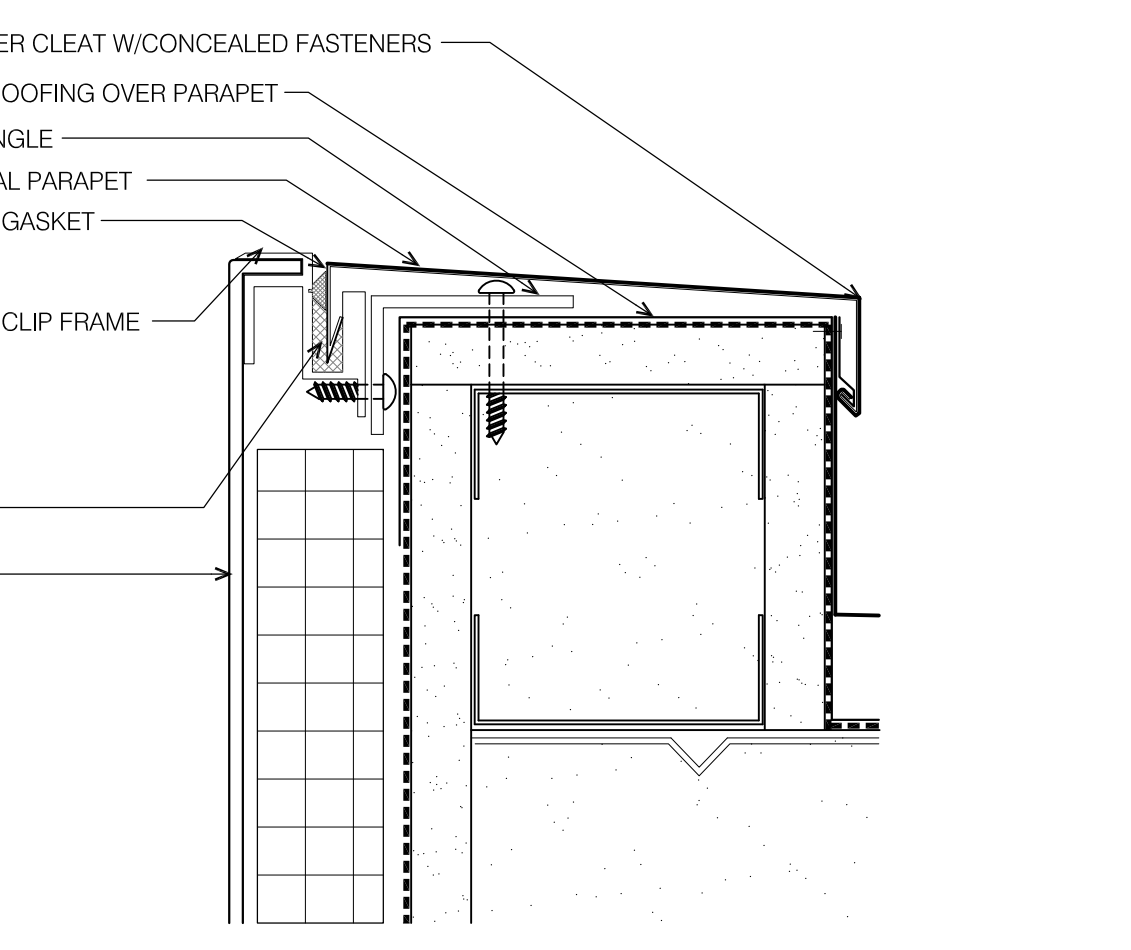
8 PLAN DETAIL @ W70 EXP. JOINT
Scale: 1 1/2"=1'-0"



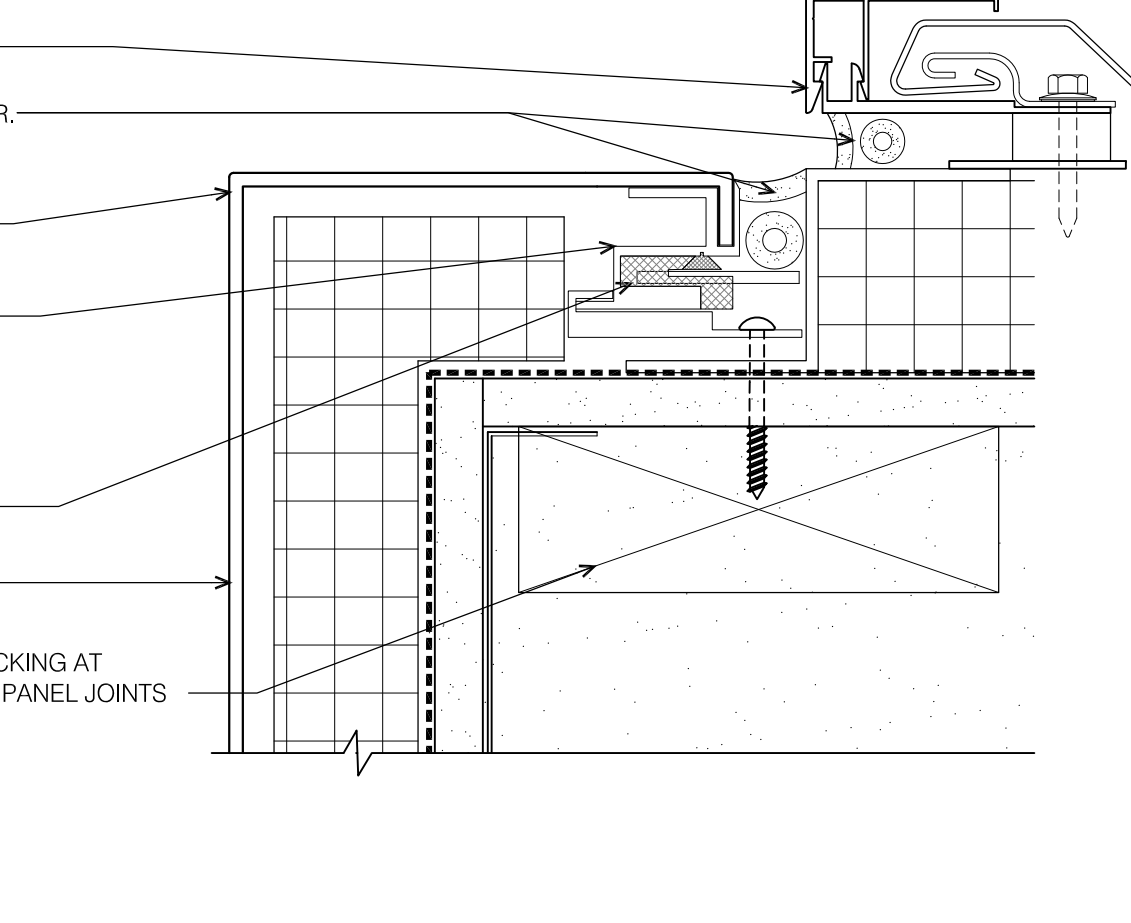
7 PLAN DETAIL @ W40 EXP. JOINT
Scale: 1 1/2"=1'-0"



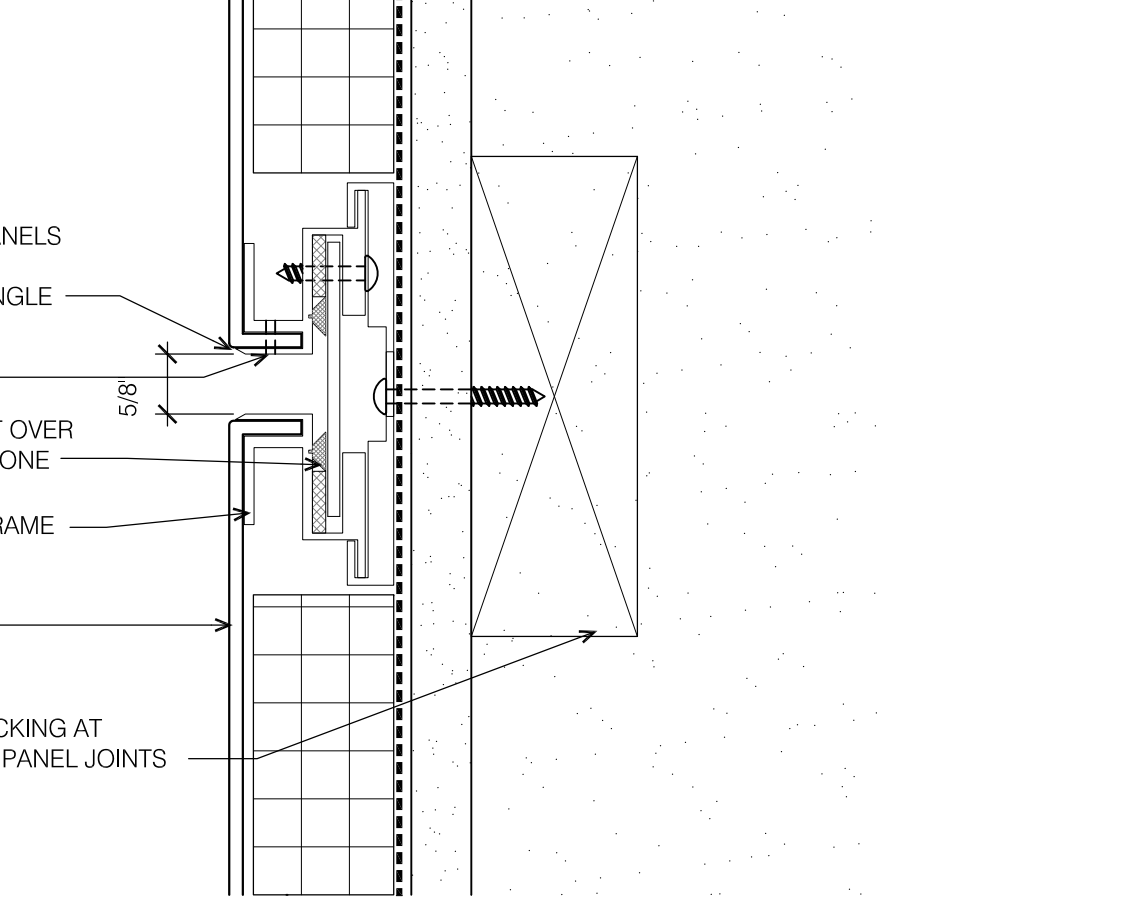
6 PLAN DETAIL @ W40 EXP. JOINT
Scale: 1 1/2"=1'-0"



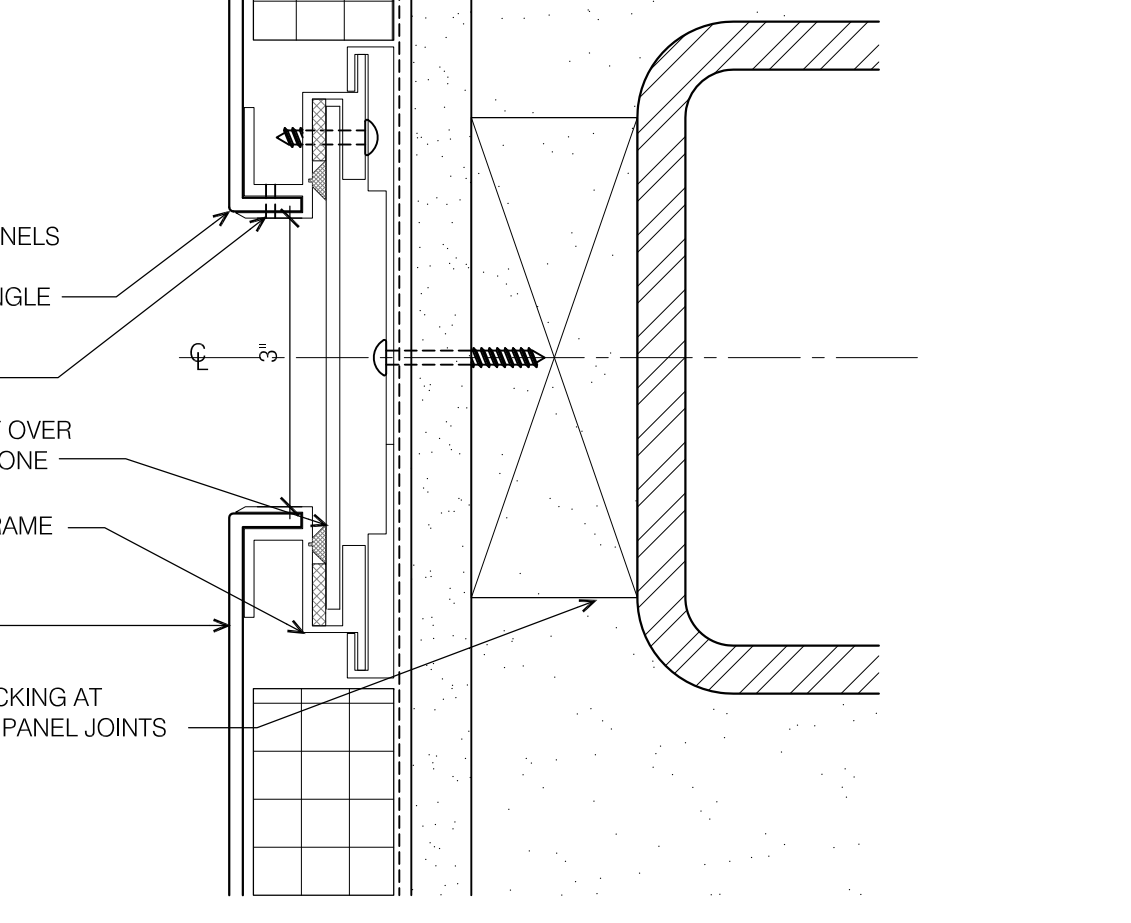
5 PARAPET DETAIL @ PANEL
Scale: 6"=1'-0"



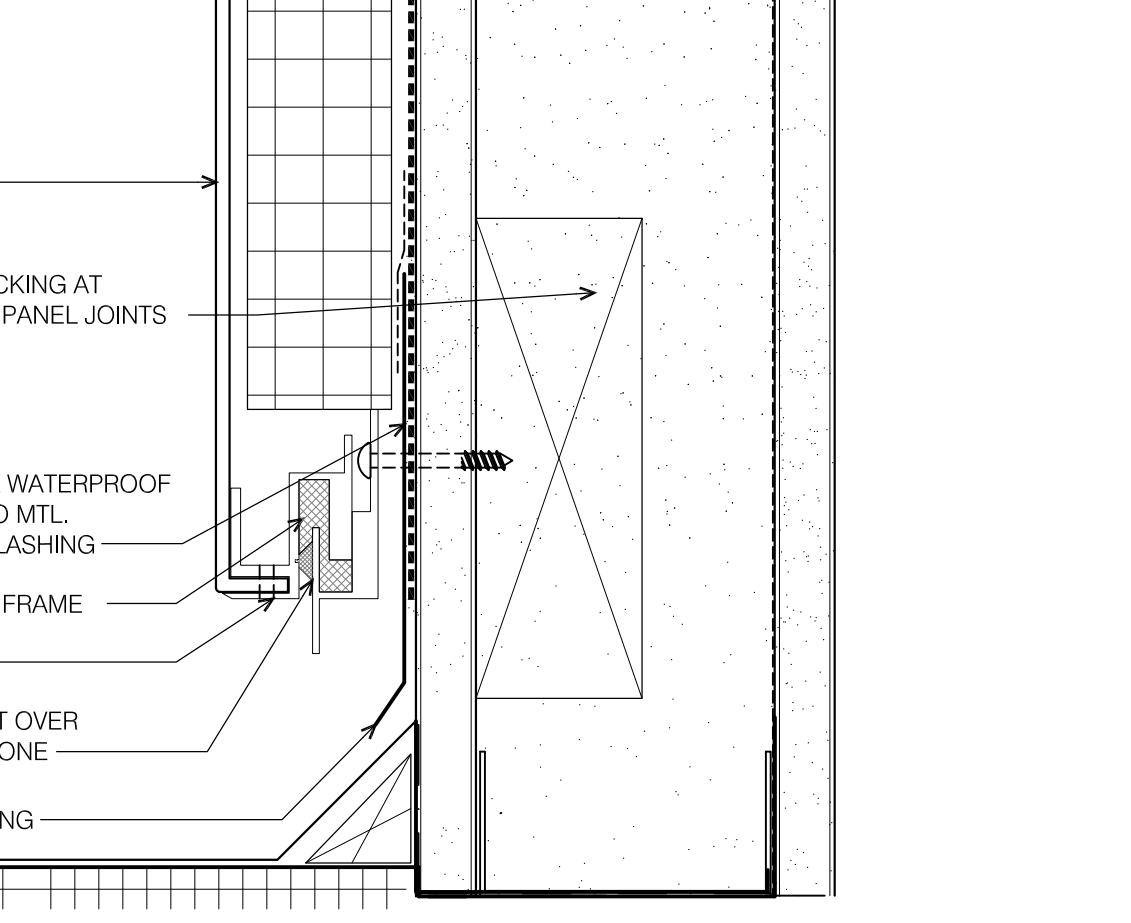
4 PLAN DETAIL @ CORNER
Scale: 6"=1'-0"



3 PLAN DETAIL @ VERTICAL JOINT
Scale: 6"=1'-0"



2 PLAN DETAIL @ COL. LINE JOINT
Scale: 6"=1'-0"



1 SILL DETAIL @ PANEL
Scale: 6"=1'-0"

SCHWARTZ / SILVER ARCHITECTS INC.
75 Kneeland Street Boston, Massachusetts 02111 Telephone 617-542-6650 Facsimile 617-951-0779

PROJECT
MAINE HISTORICAL SOCIETY
489 CONGRESS ST.
PORTLAND, MAINE

DATE	REVISIONS	DRAWING NUMBER	TITLE
09/13/07	REVISION 01		EXTERIOR DETAILS

A6.02