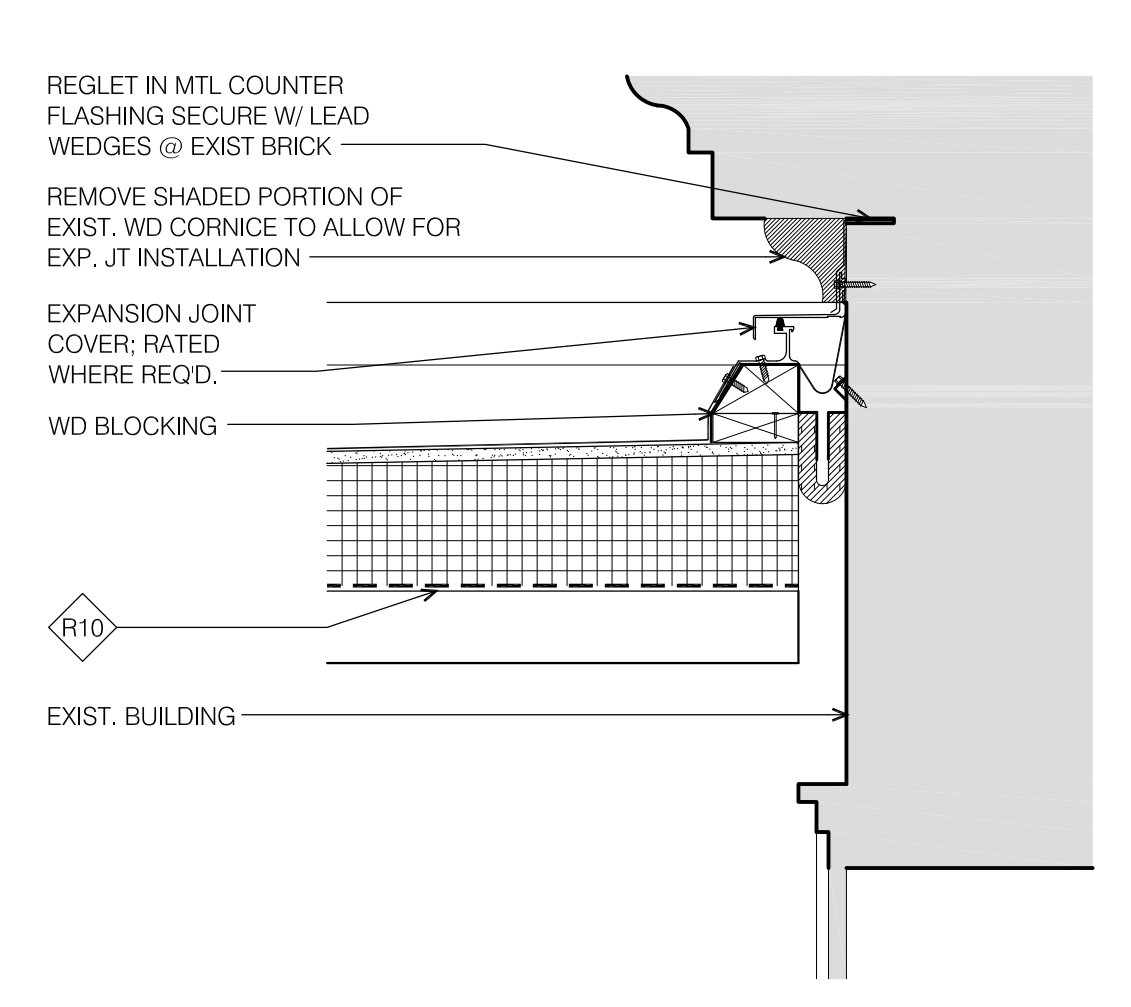
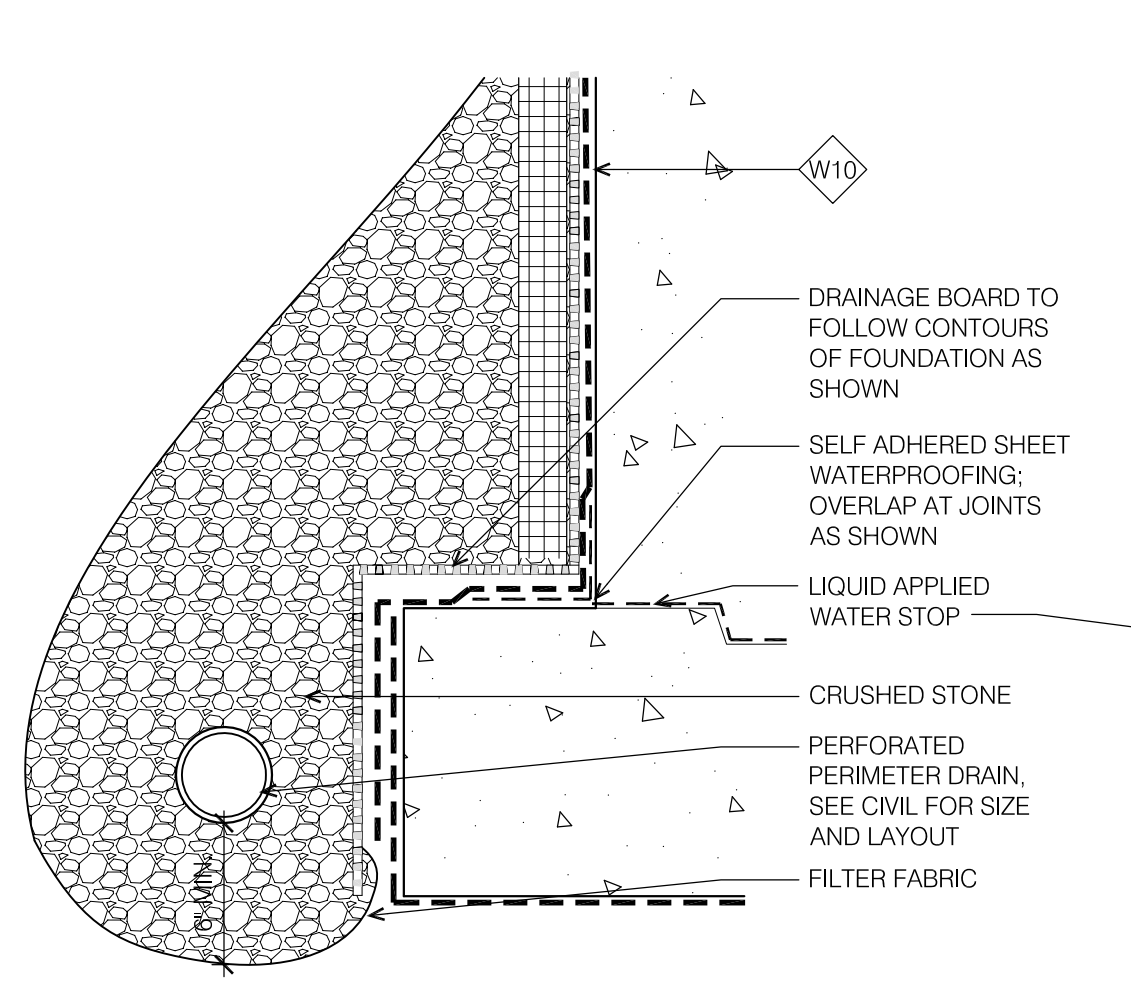


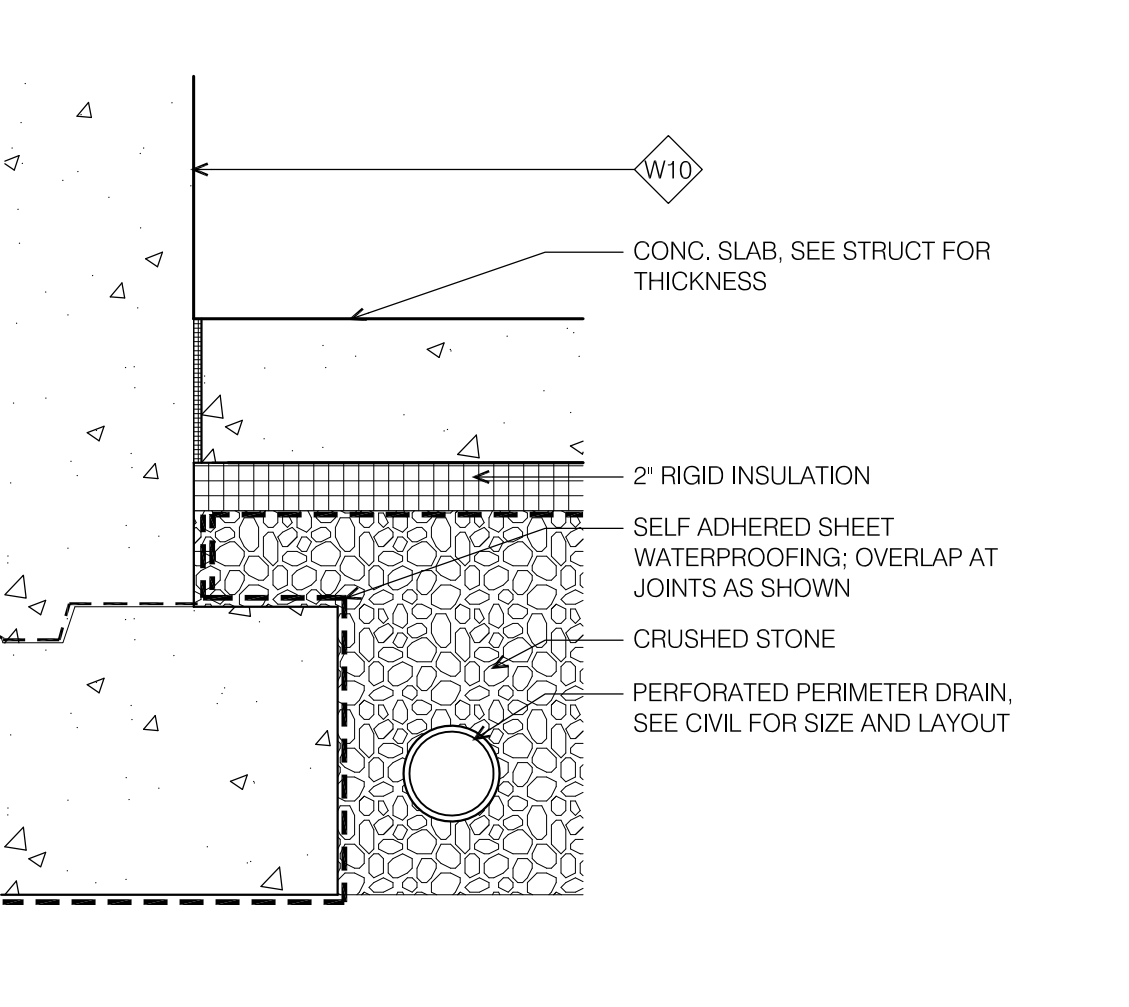
**26** PARAPET DETAIL @ W40  
Scale: 1-1/2" = 1'-0"



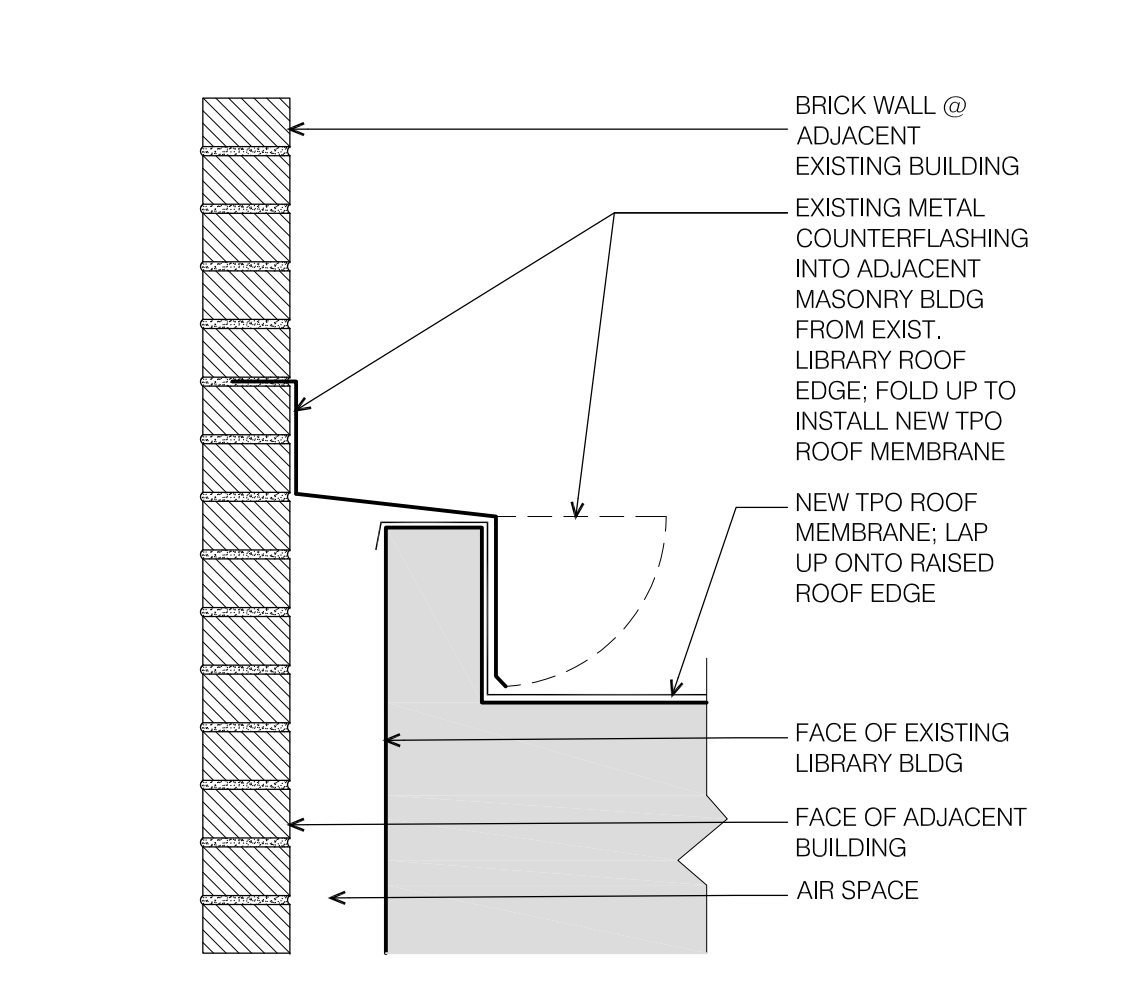
**21** EXPANSION JOINT @ EXIST. BLDG  
Scale: 1-1/2" = 1'-0"



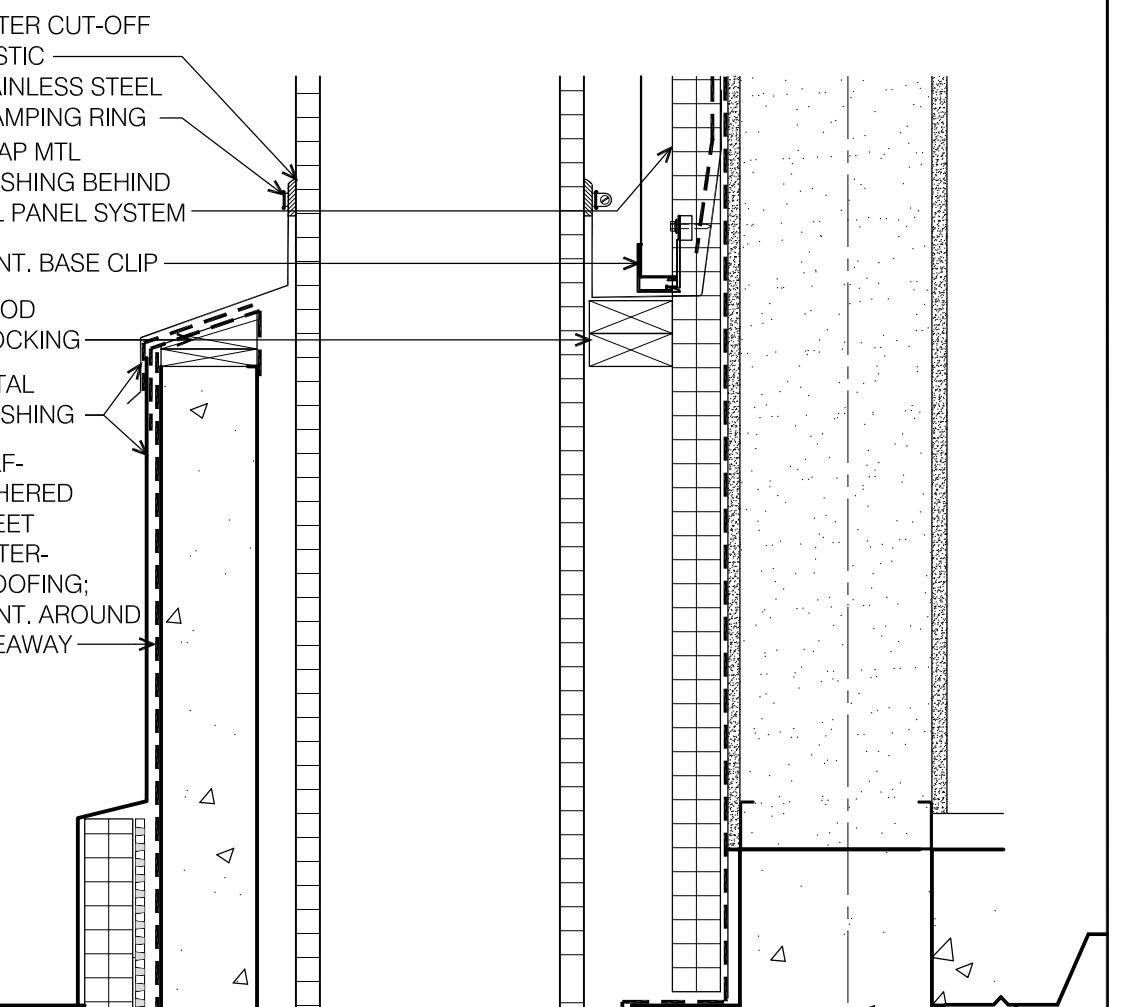
**17** DETAIL AT FDN WALL / FOOTING  
Scale: 1-1/2" = 1'-0"



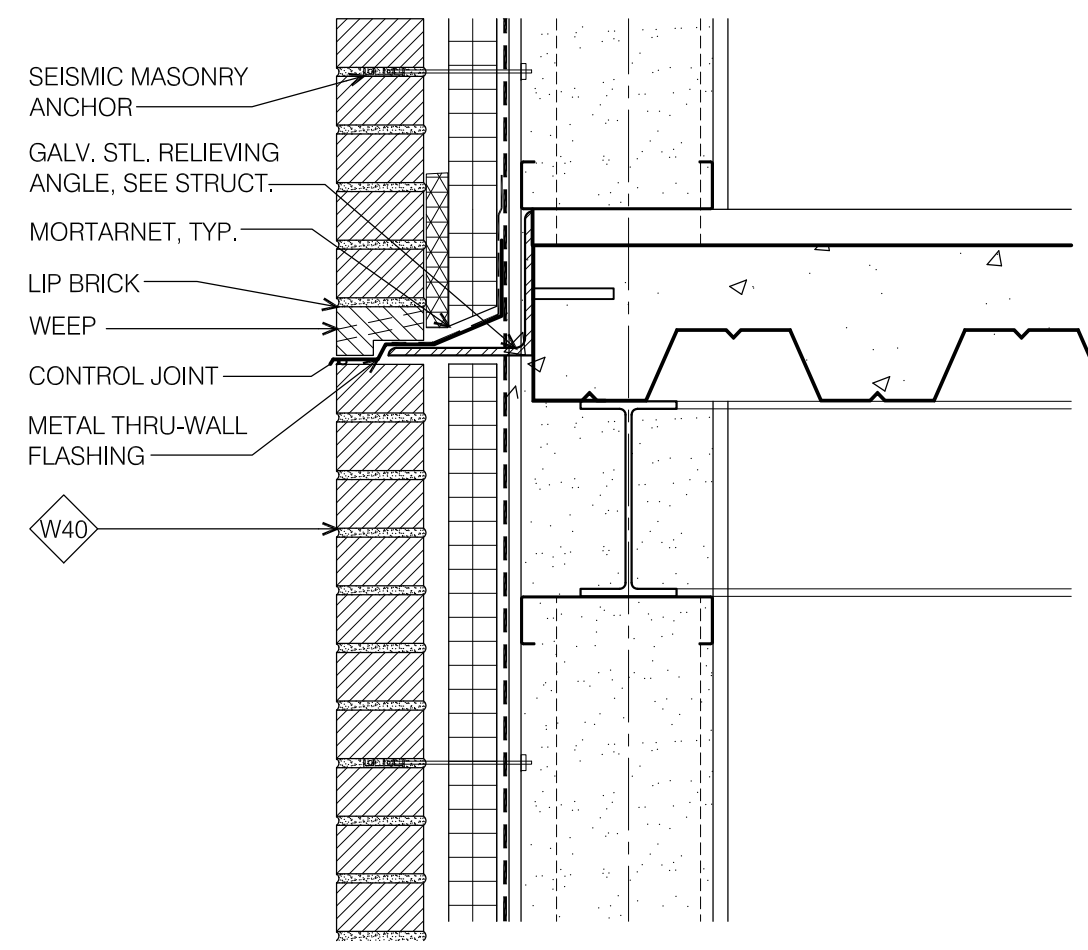
**13** DETAIL AT SLAB / FOOTING  
Scale: 1-1/2" = 1'-0"



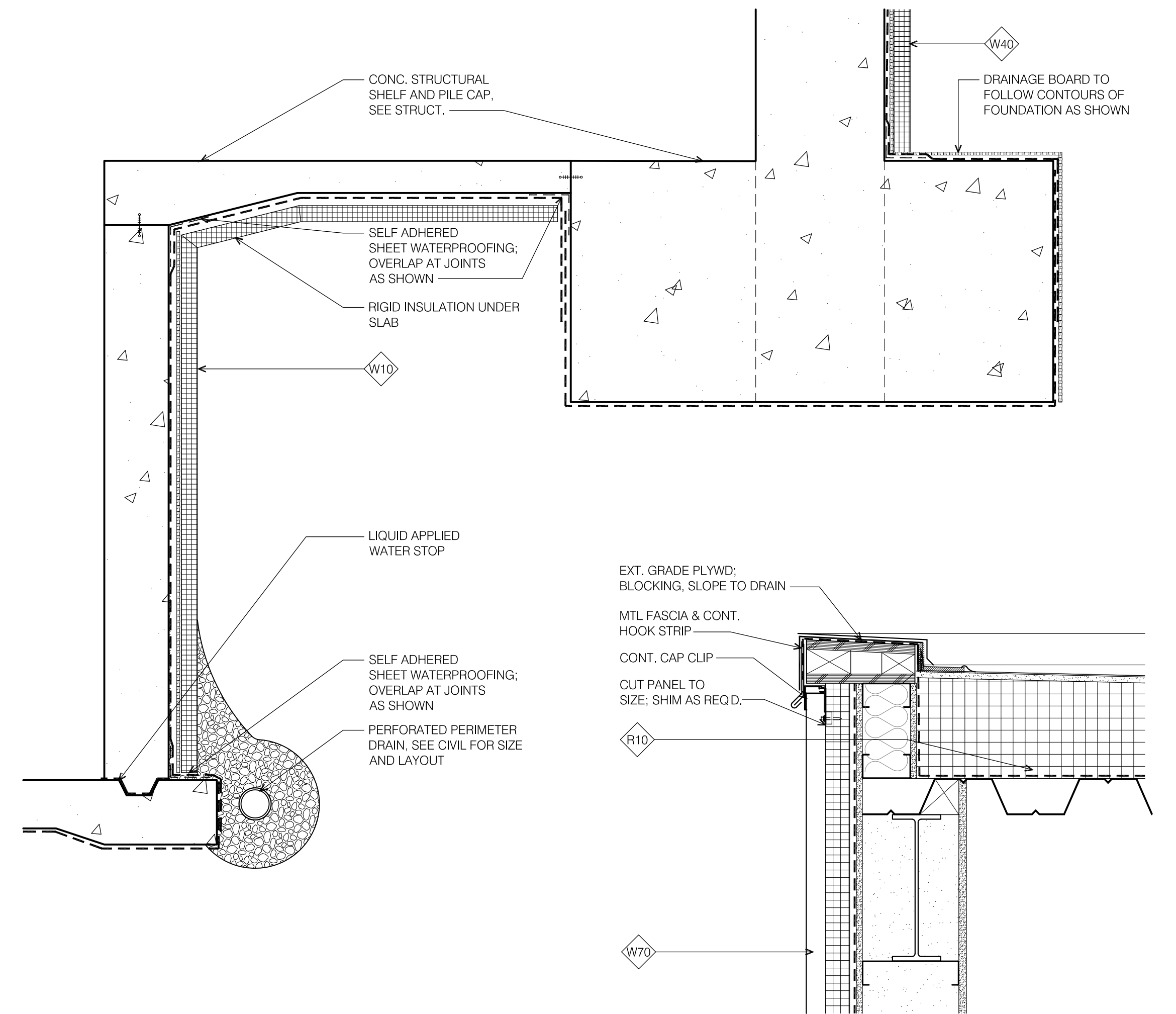
**8** DETAIL AT EXIST ROOF / ADJ BLDG  
Scale: N.T.S.



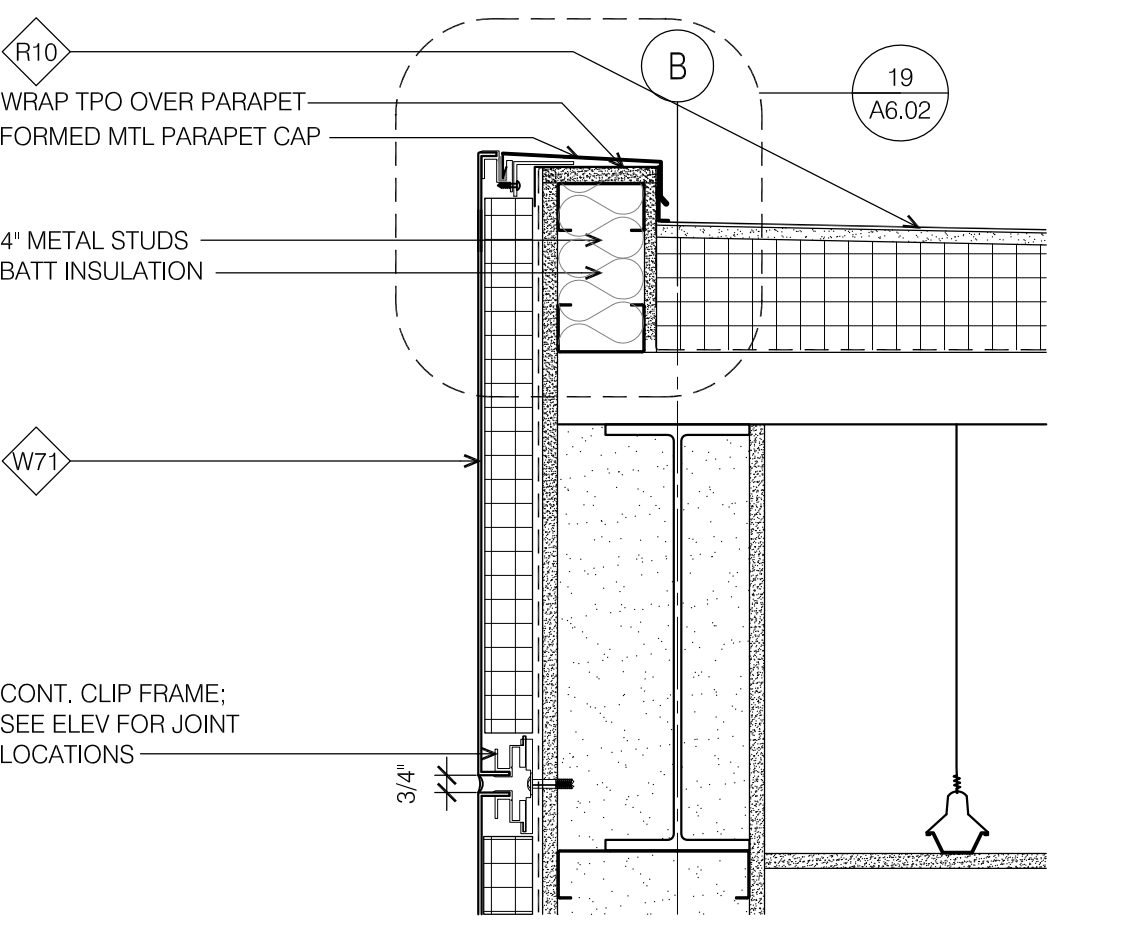
**3** SECTION DTL @ BOILER AAREWAY  
Scale: 1-1/2" = 1'-0"



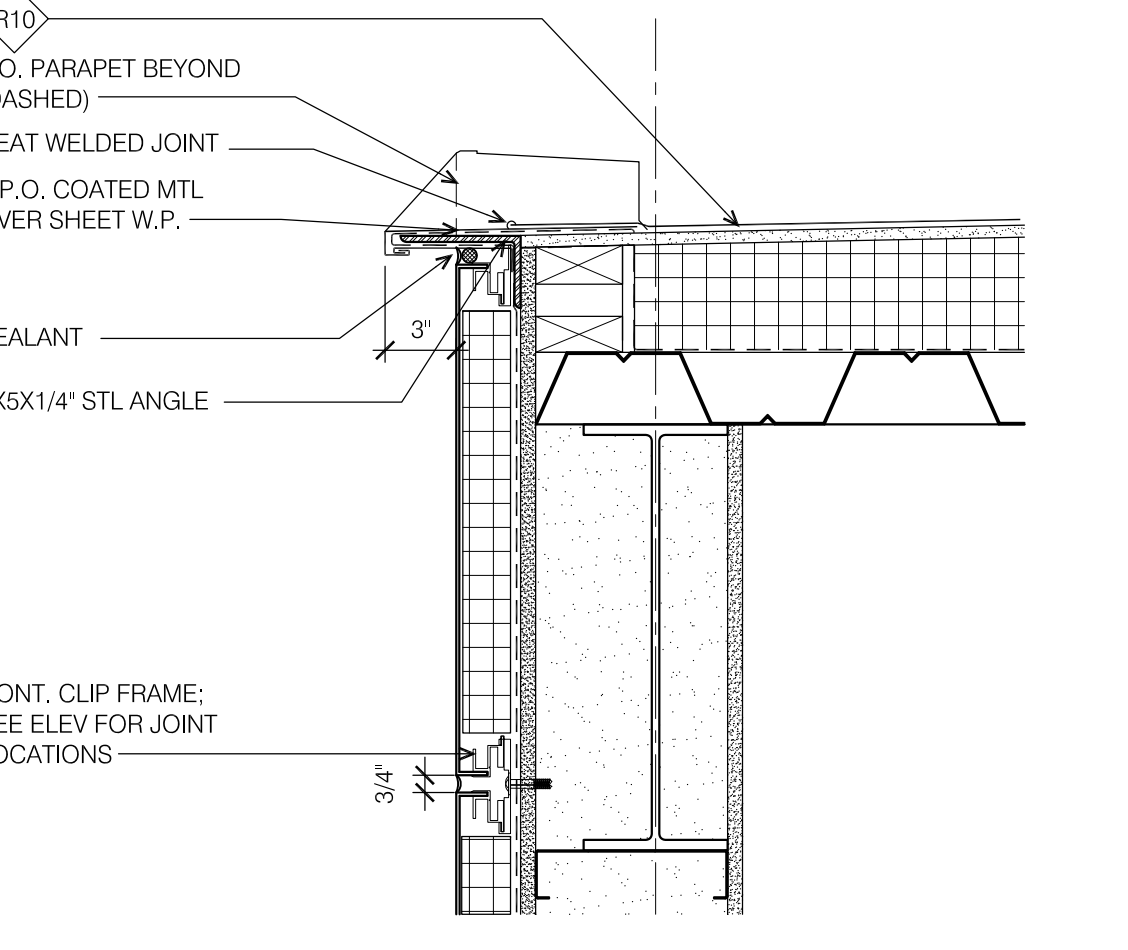
**25** DETAIL @ 2ND FLOOR SLAB  
Scale: 1-1/2" = 1'-0"



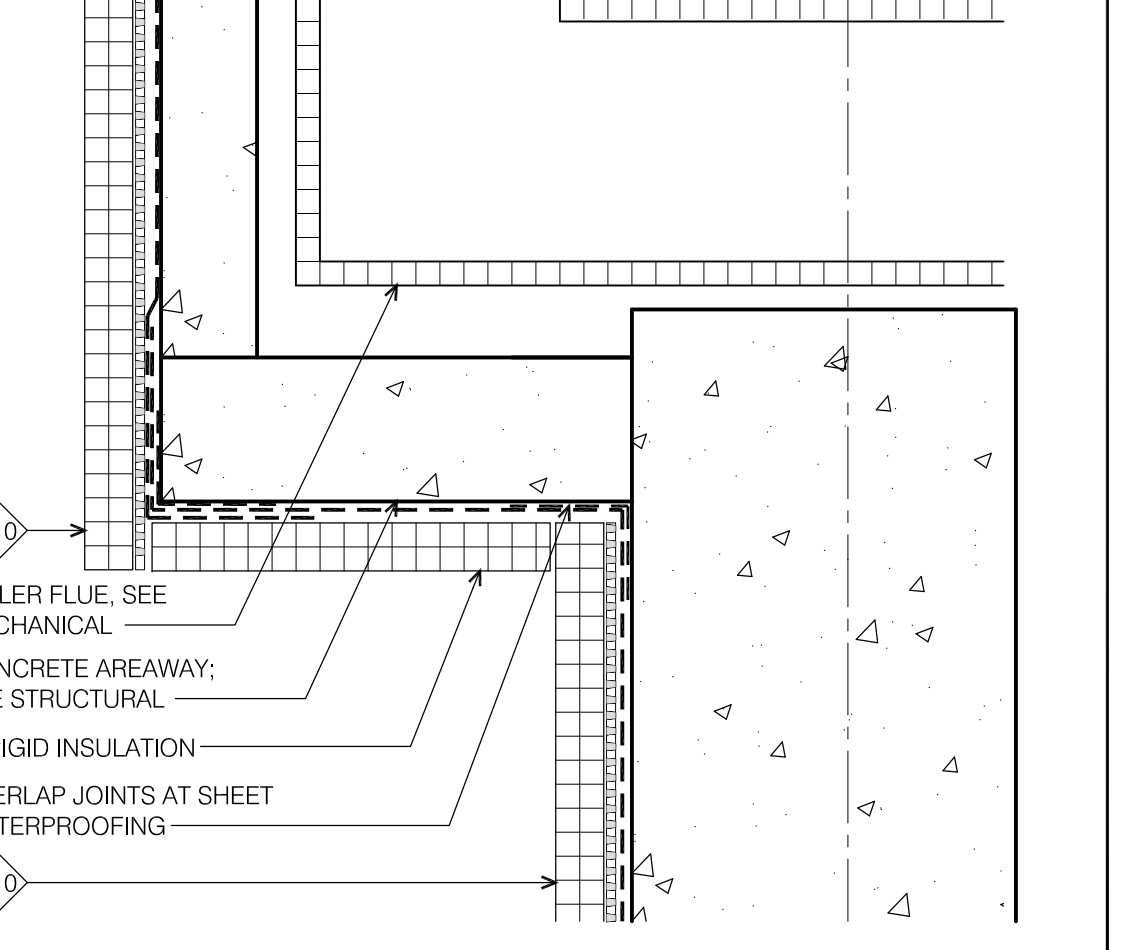
**20** DETAIL @ STRUCT SHELF / PILE CAP  
Scale: 1" = 1'-0"



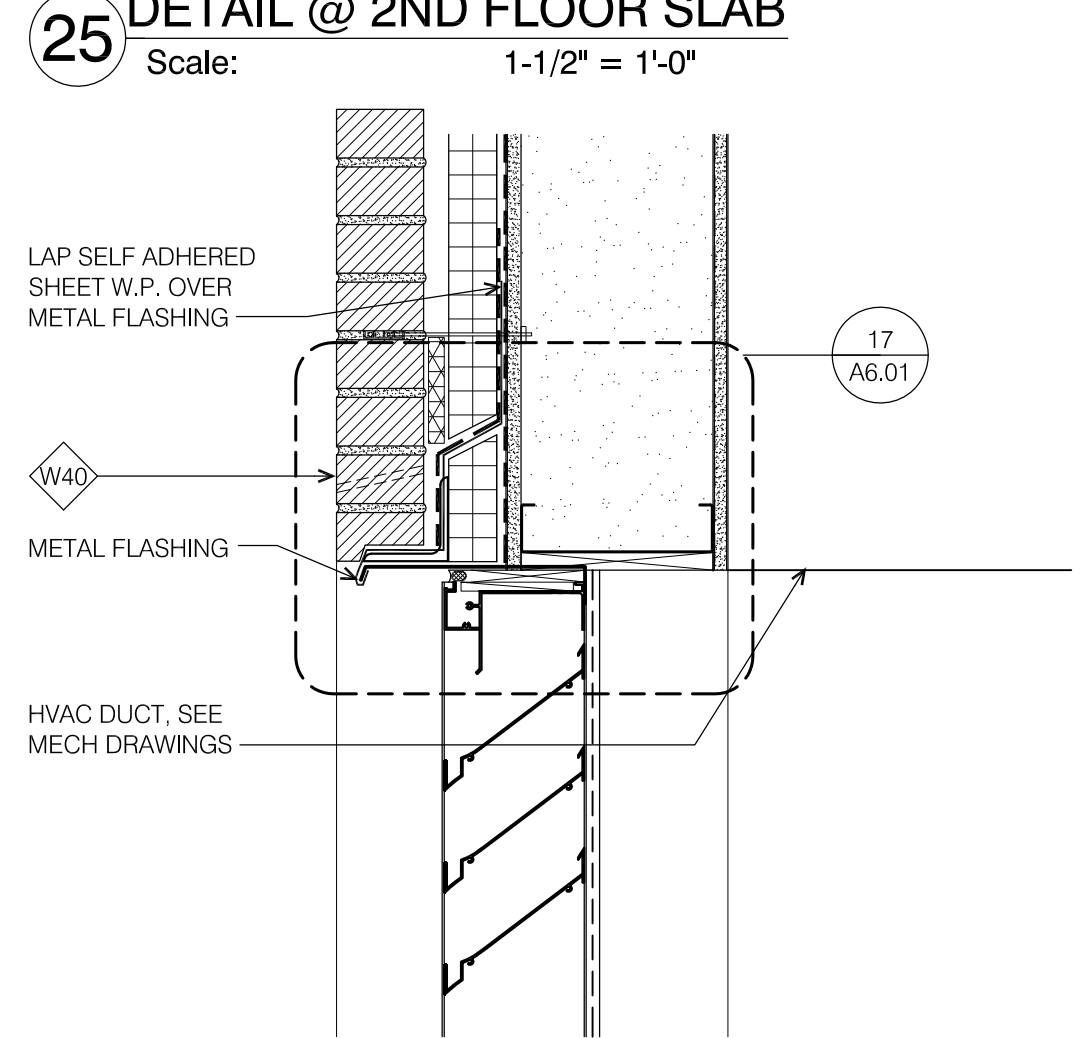
**12** PARAPET DETAIL @ W71  
Scale: 1-1/2" = 1'-0"



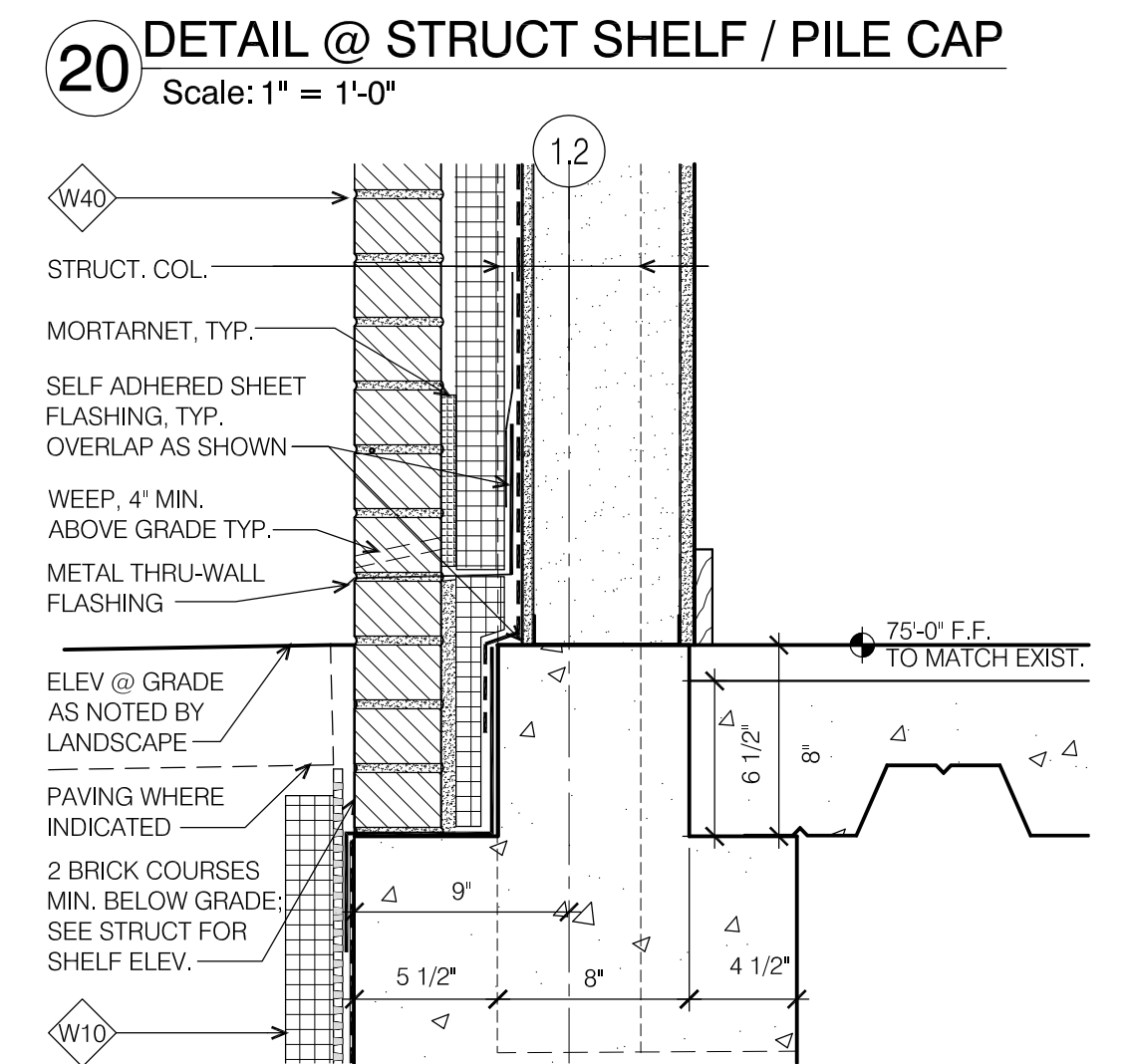
**7** SECTION DETAIL @ SCUPPER  
Scale: 1-1/2" = 1'-0"



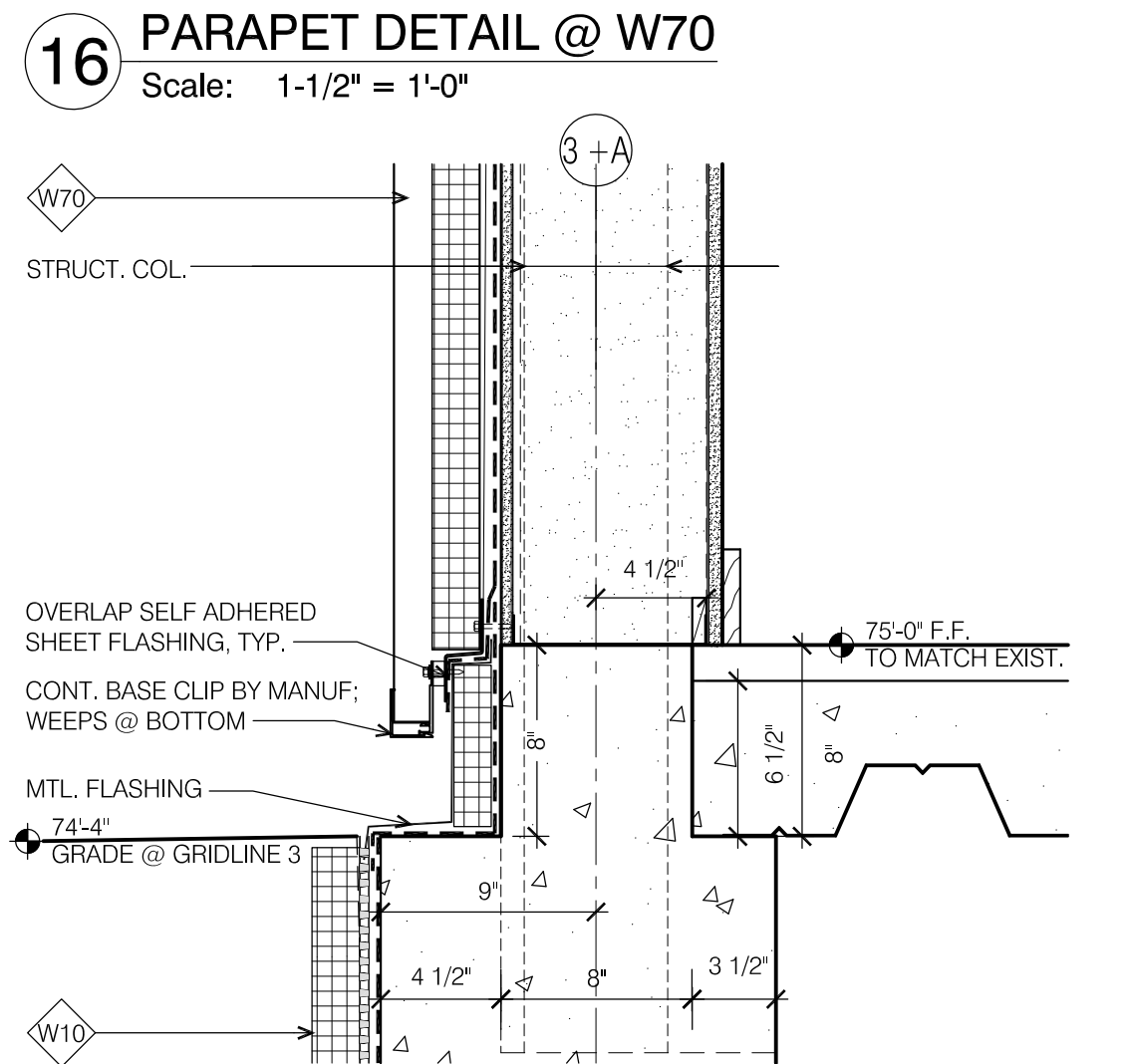
**2** DOOR G13 HEAD DETAIL  
Scale: 1-1/2" = 1'-0"



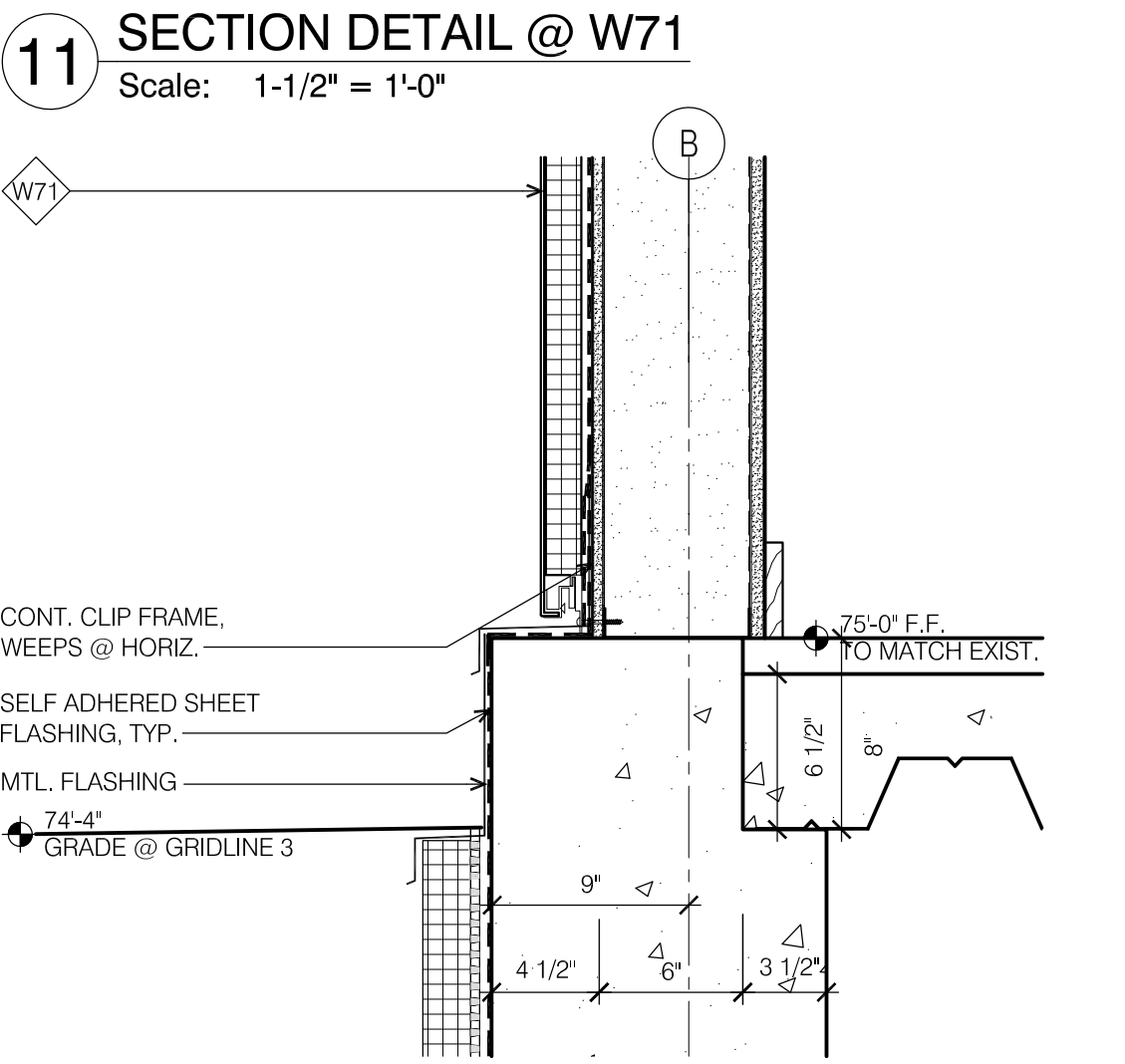
**24** SECTION DETAIL @ LOUVER HEAD  
Scale: 1-1/2" = 1'-0"



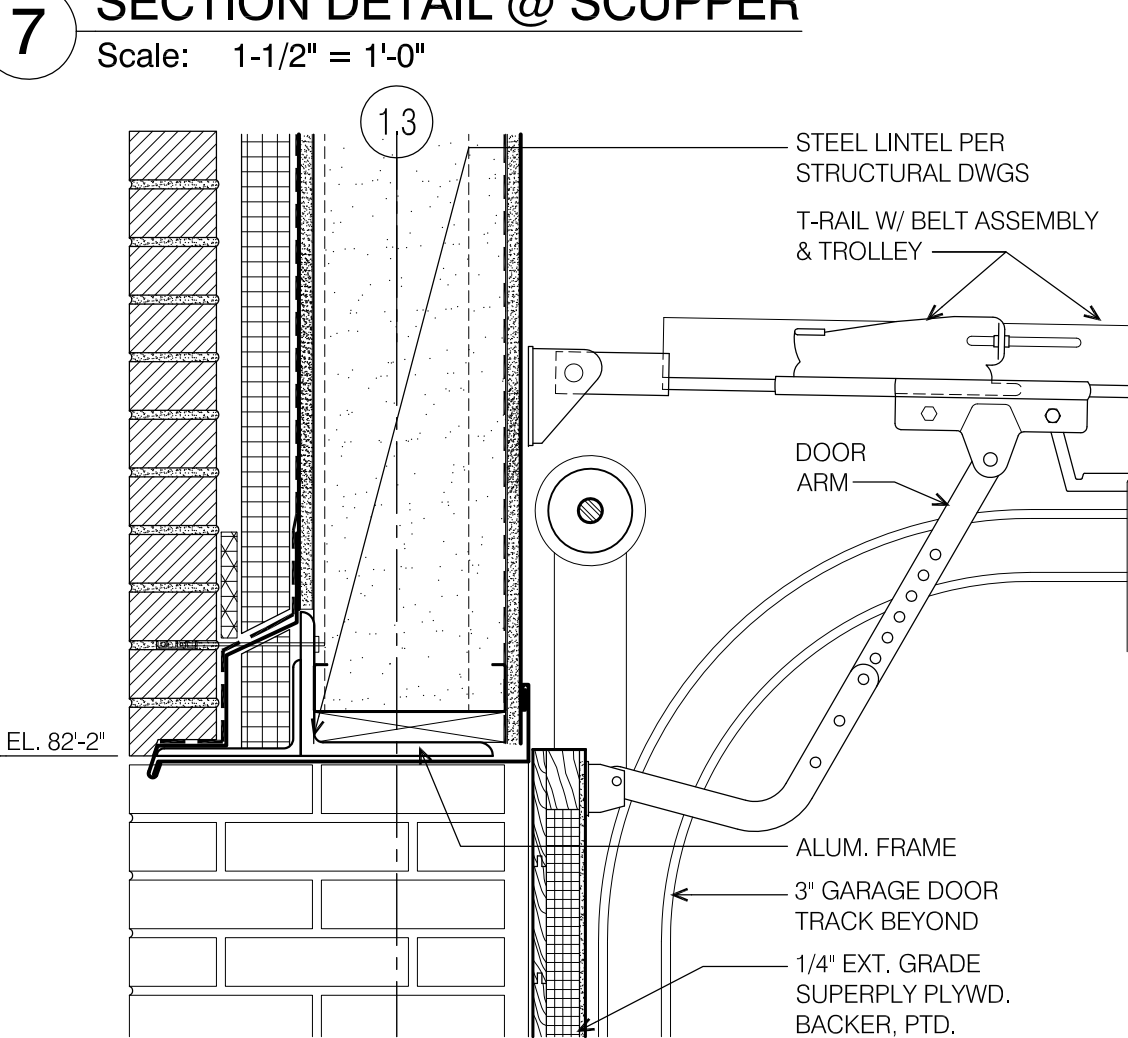
**19** T.O. FOUNDATION DETAIL @ W40: COL. 1.2  
Scale: 1-1/2" = 1'-0"



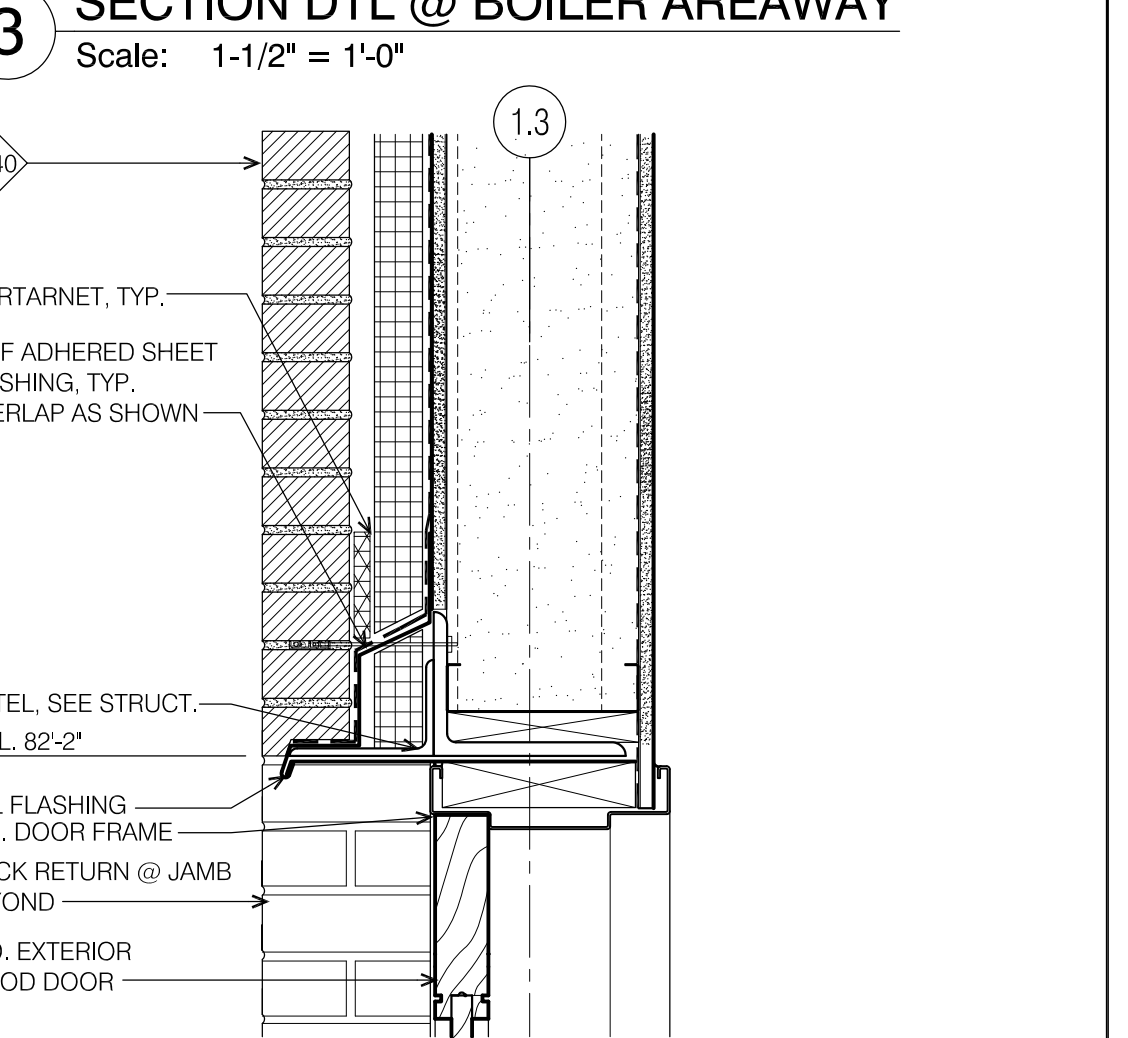
**16** PARAPET DETAIL @ W70  
Scale: 1-1/2" = 1'-0"



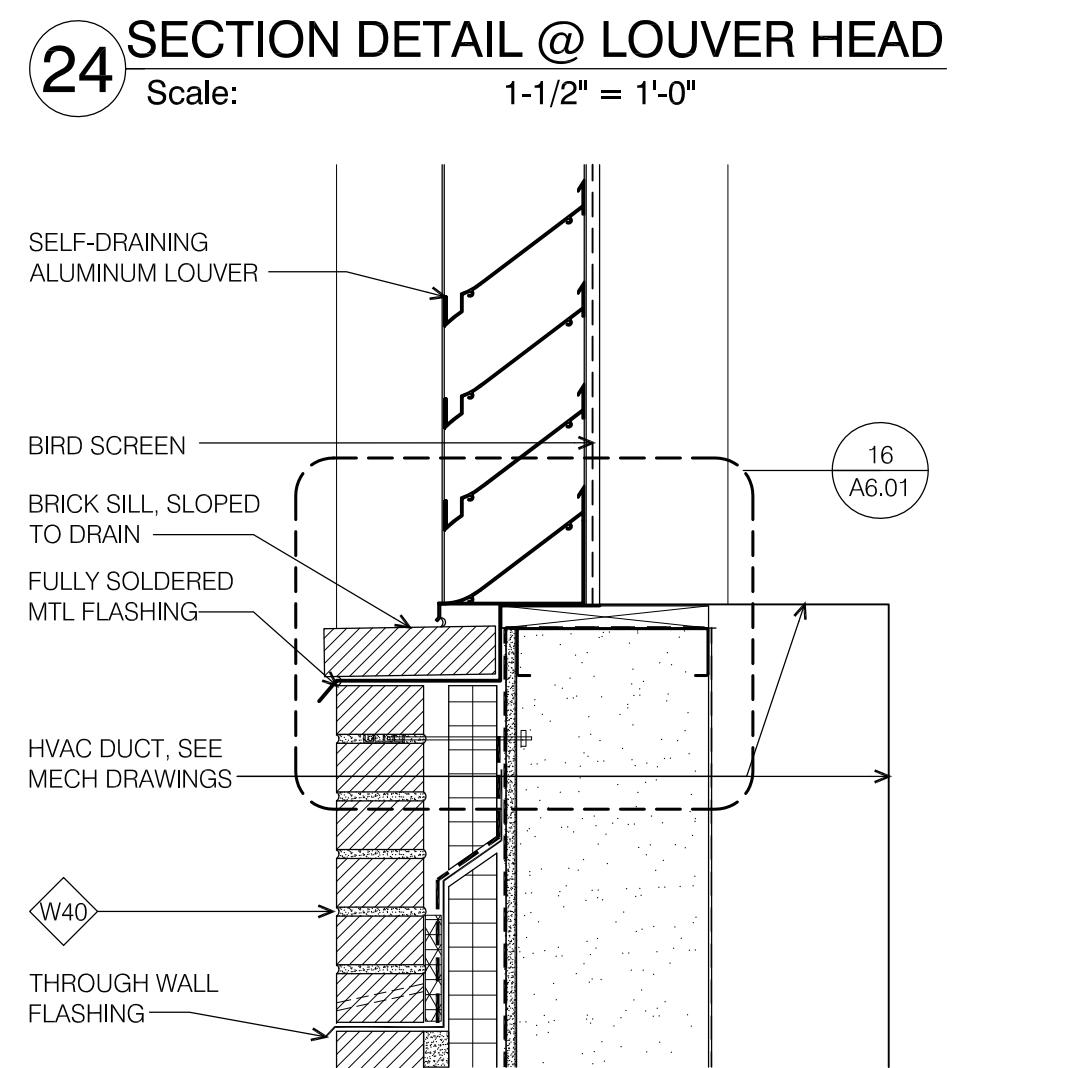
**11** SECTION DETAIL @ W71  
Scale: 1-1/2" = 1'-0"



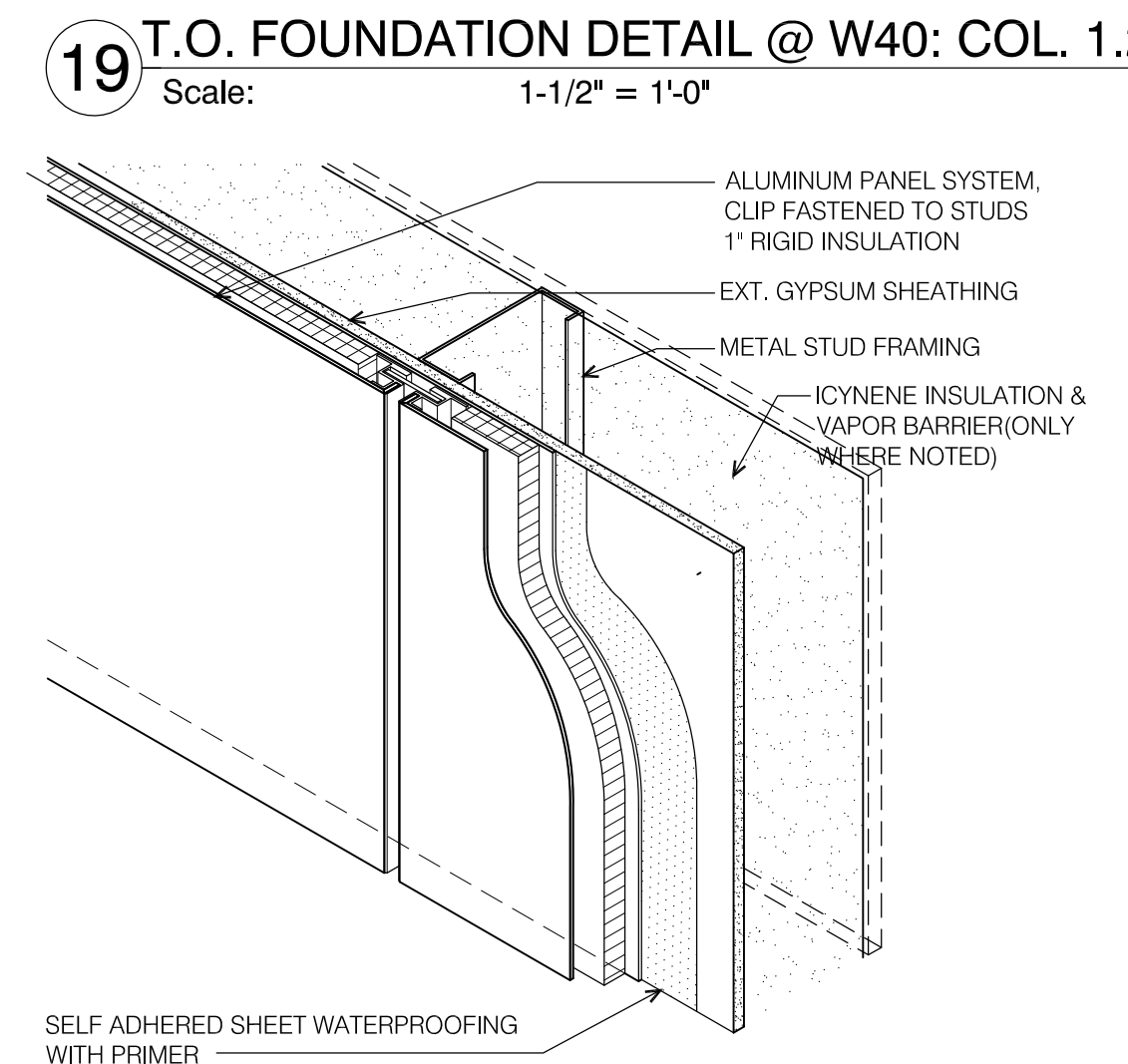
**6** OVERHEAD DOOR HEAD DETAIL  
Scale: 1-1/2" = 1'-0"



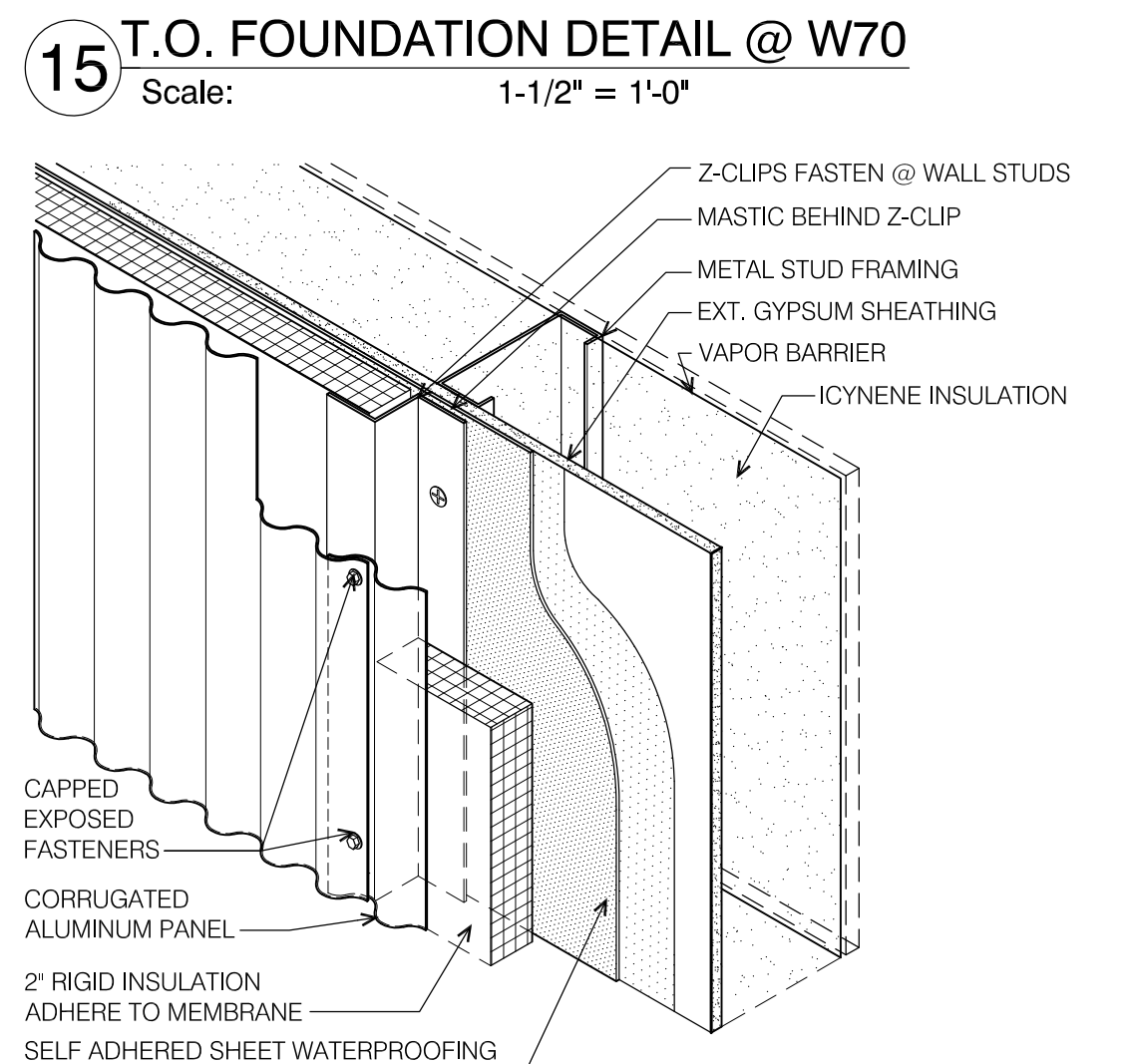
**1** DOOR G13 THRESHOLD DETAIL  
Scale: 1-1/2" = 1'-0"



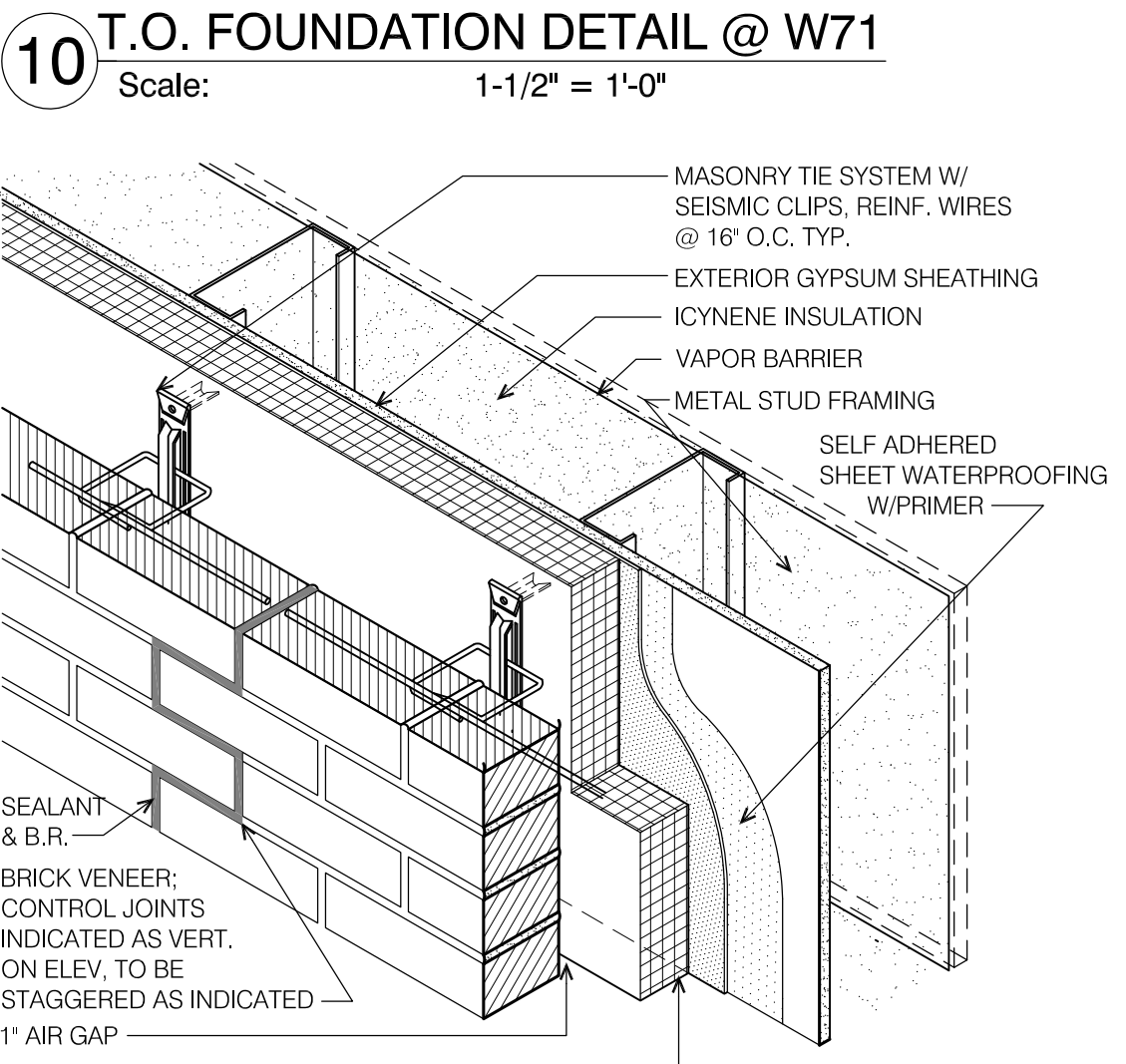
**23** SECTION DTL @ LOUVER SILL  
Scale: 1-1/2" = 1'-0"



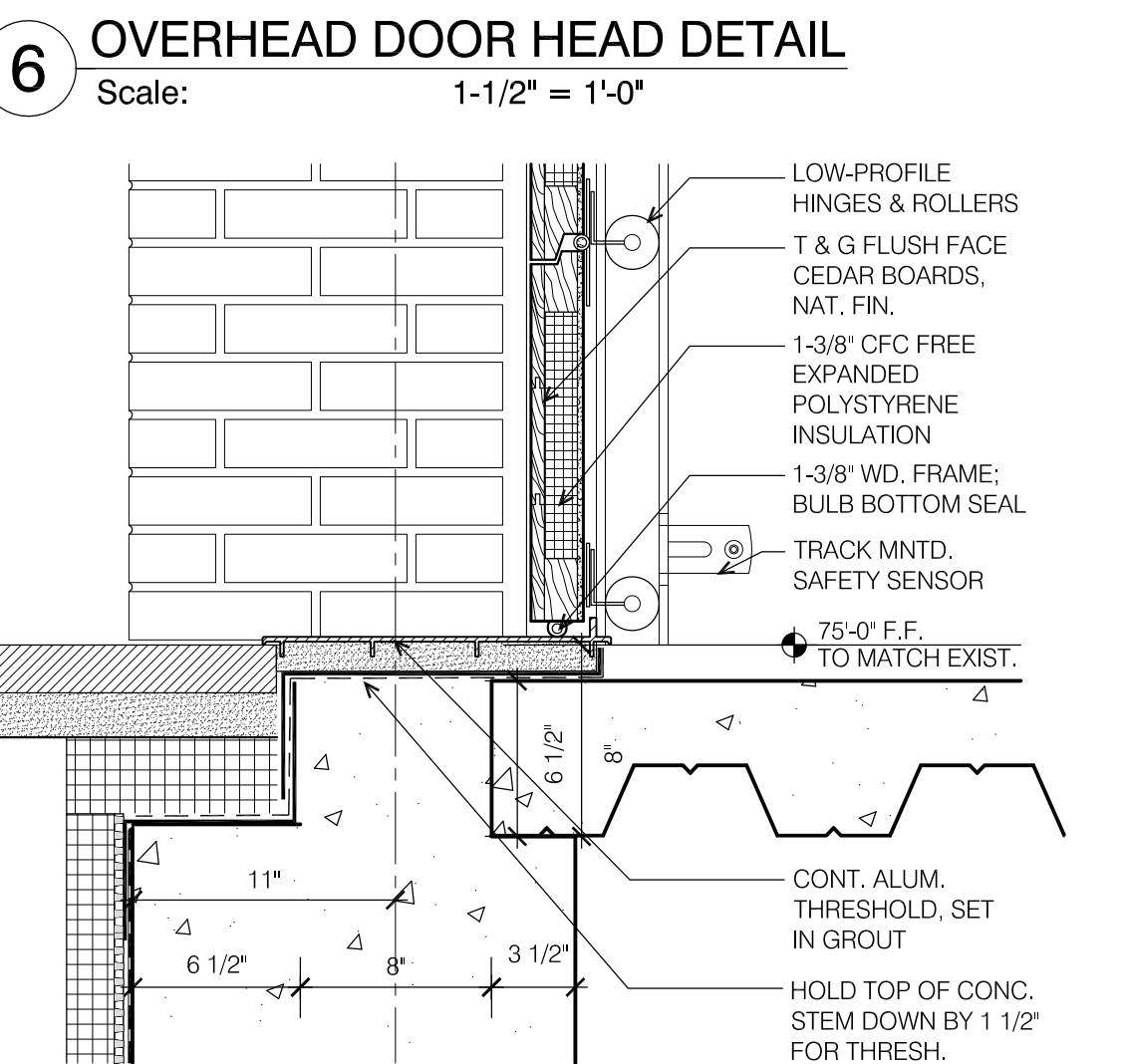
**18** WALL TYPE W71  
Scale: 1-1/2" = 1'-0"



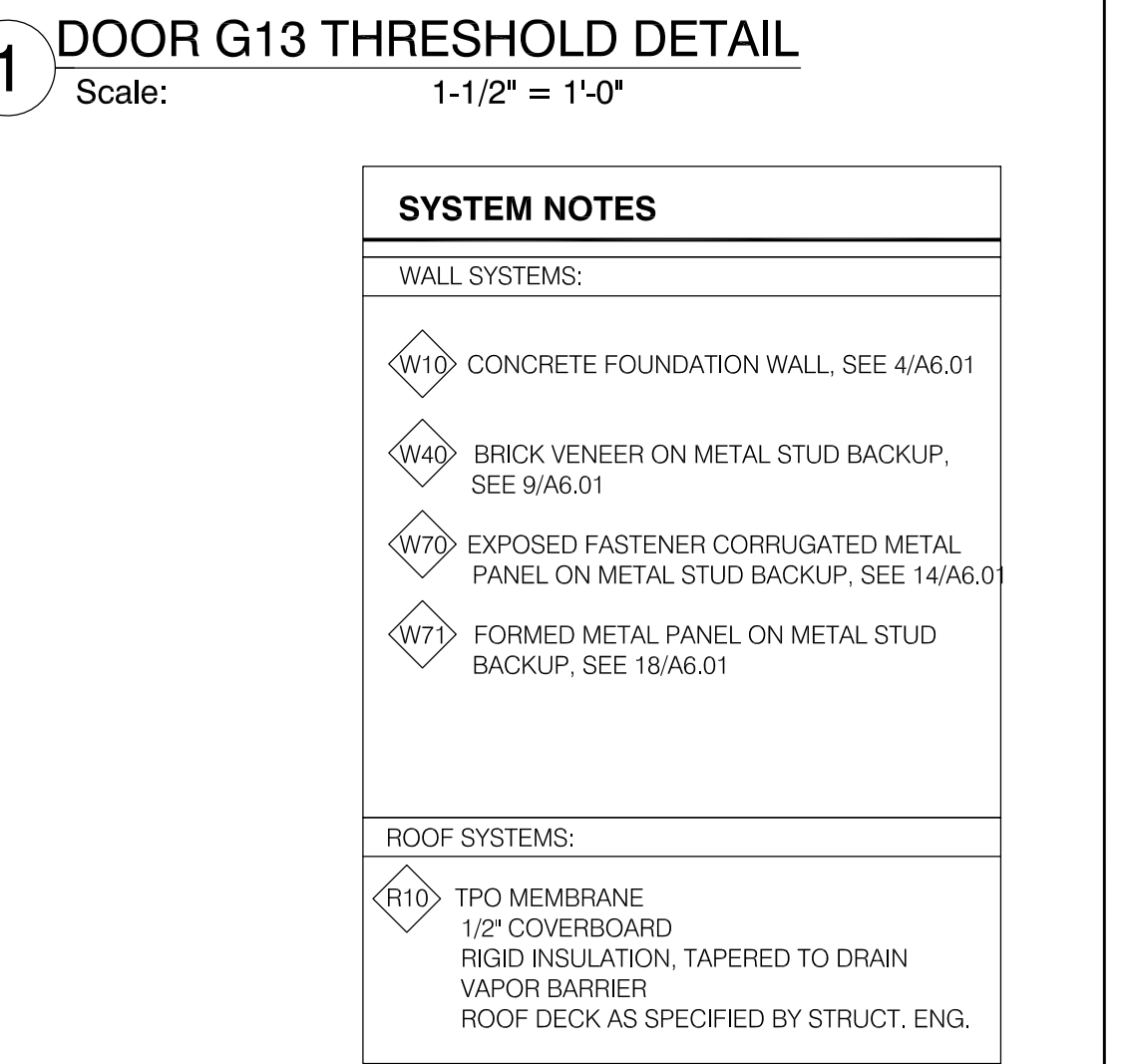
**15** T.O. FOUNDATION DETAIL @ W70  
Scale: 1-1/2" = 1'-0"



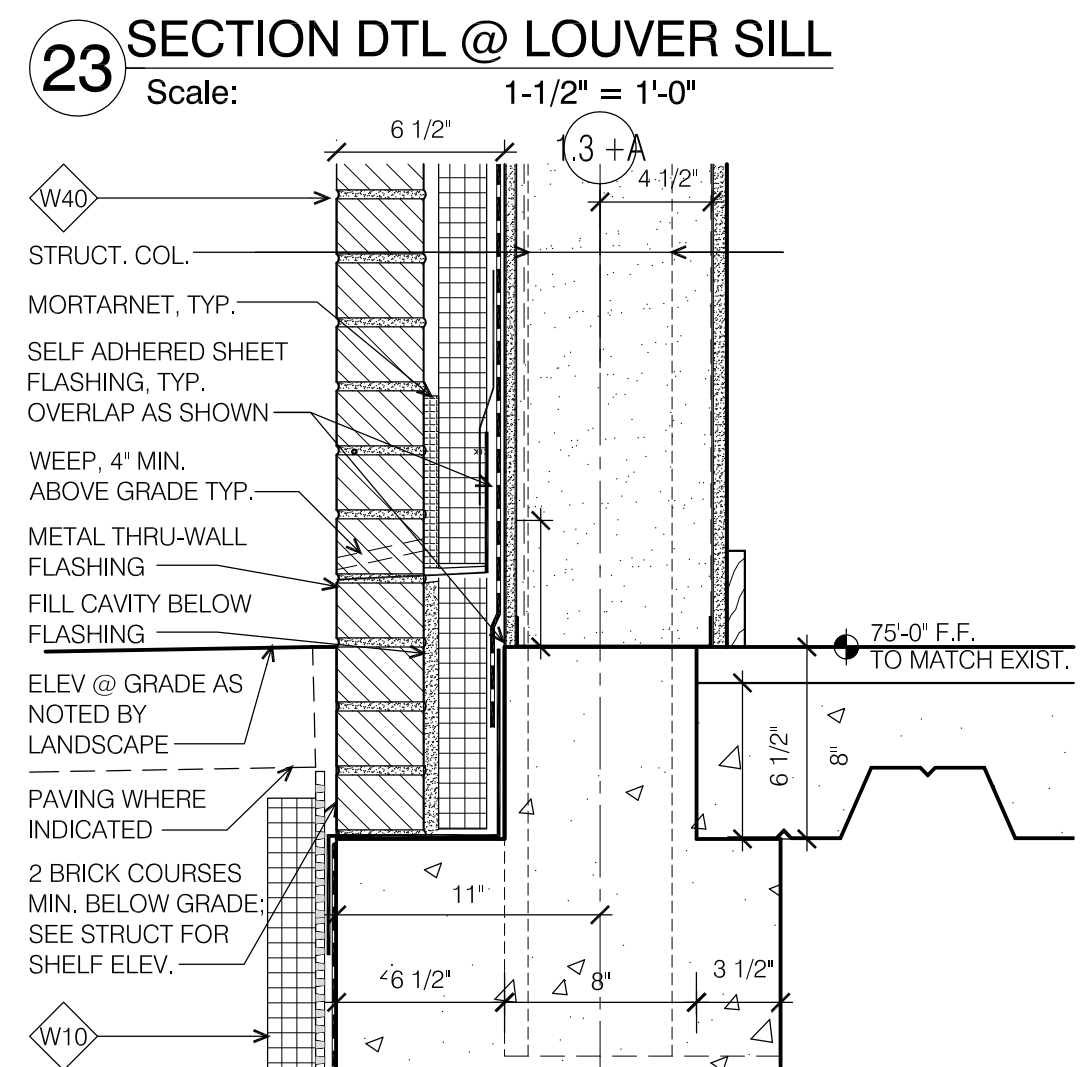
**14** WALL TYPE W70  
Scale: 1-1/2" = 1'-0"



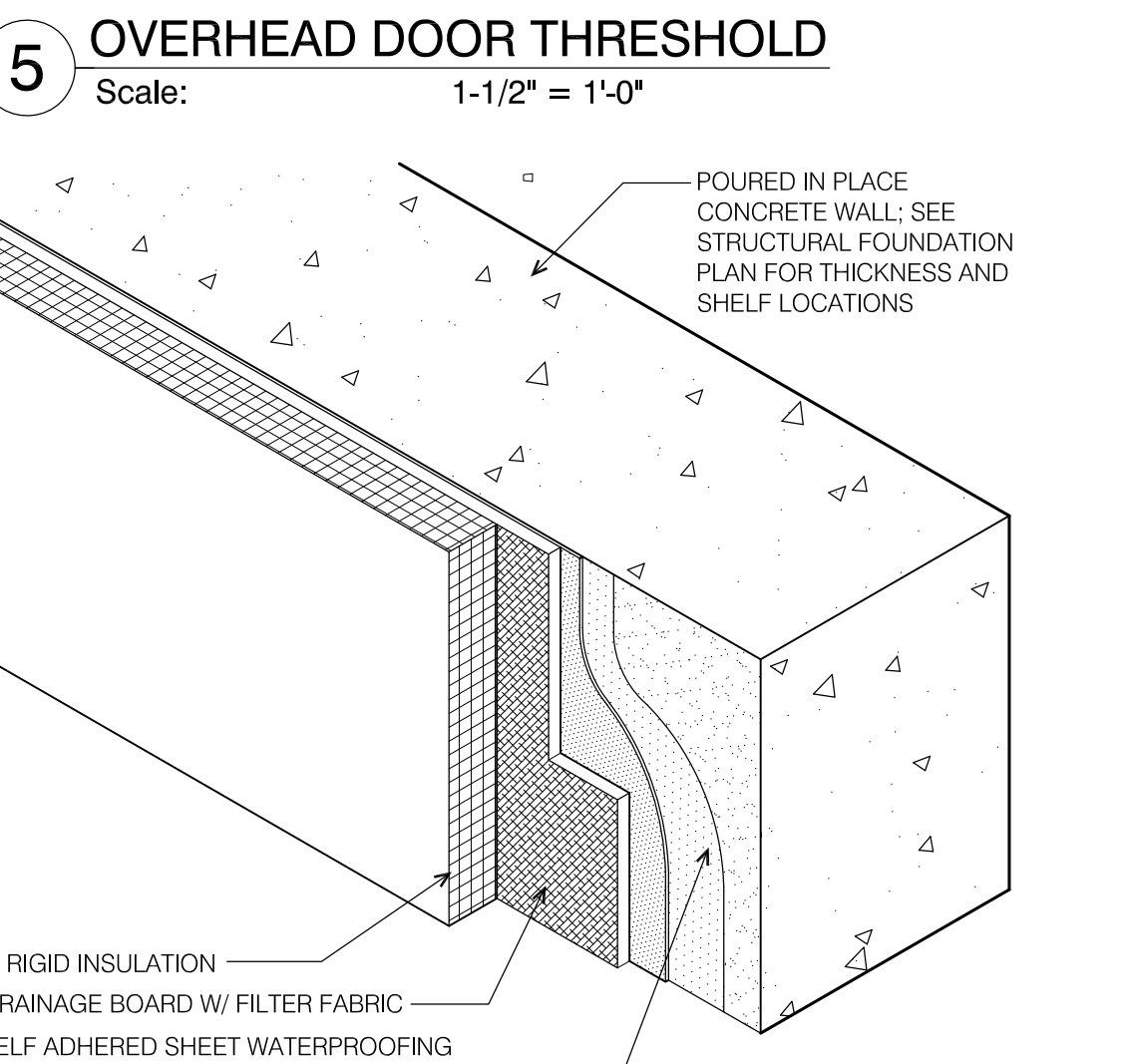
**5** OVERHEAD DOOR THRESHOLD  
Scale: 1-1/2" = 1'-0"



**9** WALL TYPE W40  
Scale: 1-1/2" = 1'-0"



**22** T.O. FOUNDATION DETAIL @ W40  
Scale: 1-1/2" = 1'-0"



**4** WALL TYPE W10  
Scale: 1-1/2" = 1'-0"

SYSTEM NOTES	
WALL SYSTEMS:	
W10	CONCRETE FOUNDATION WALL, SEE 4/A6.01
W40	BRICK VENEER ON METAL STUD BACKUP, SEE 9/A6.01
W70	EXPOSED FASTENER CORRUGATED METAL PANEL ON METAL STUD BACKUP, SEE 14/A6.01
W71	FORMED METAL PANEL ON METAL STUD BACKUP, SEE 18/A6.01
ROOF SYSTEMS:	
R10	TPO MEMBRANE
	1/2\"/>

**SCHWARTZ / SILVER ARCHITECTS INC.**  
75 Kneeland Street Boston, Massachusetts 02111 Telephone 617/542-6650 Facsimile 617/951-0779

**MAINE HISTORICAL SOCIETY**  
489 CONGRESS ST. PORTLAND, MAINE

DATE	REVISIONS	DRAWING TITLE
09/13/07	REVISION 01	EXTERIOR DETAILS

AS NOTED Scale

**A6.01**