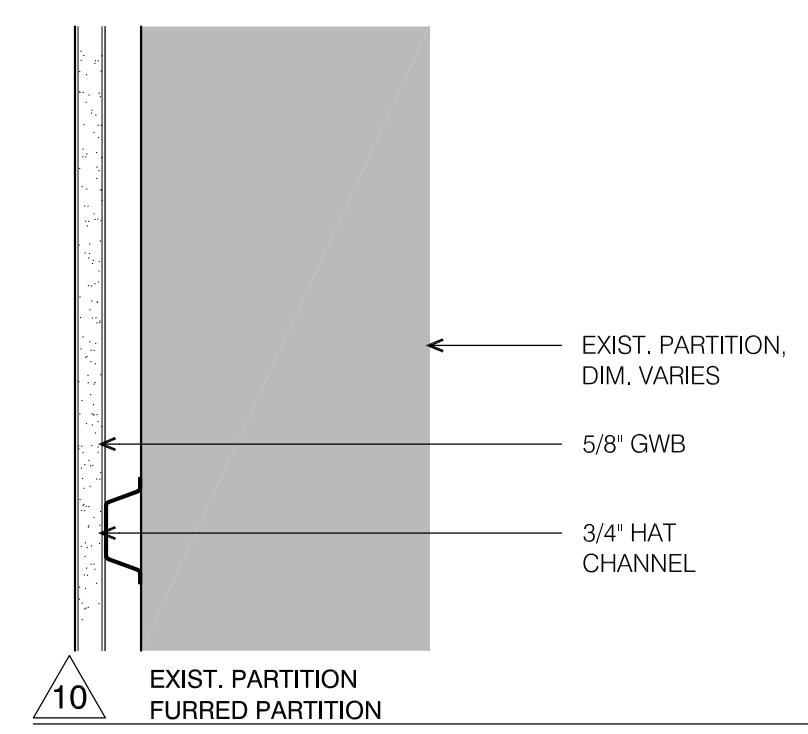


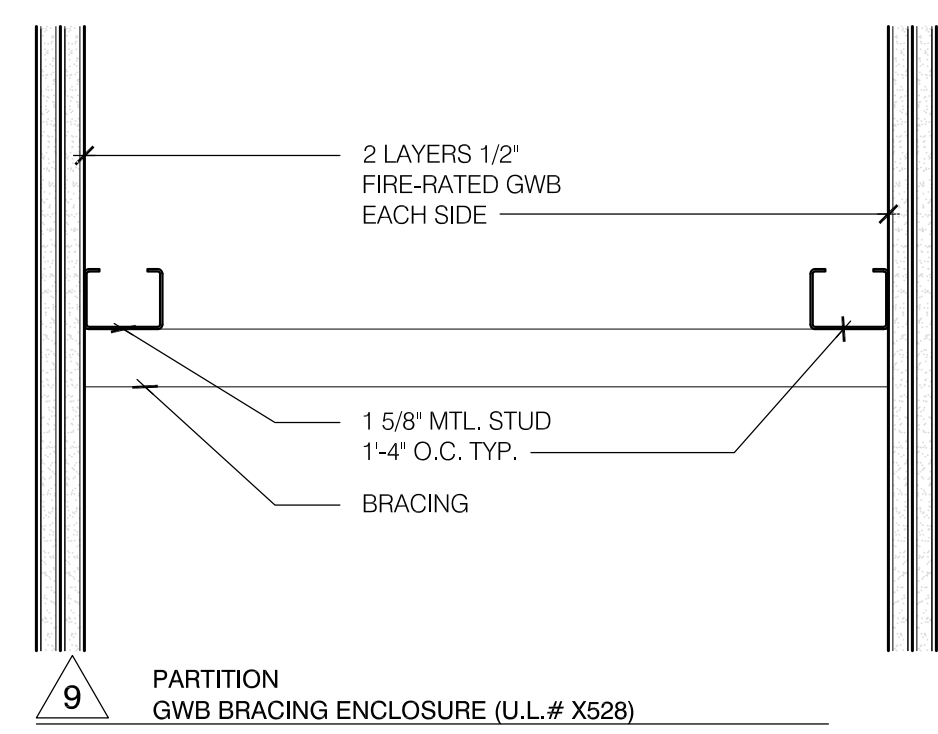
12 1-SIDED GWB PARTITION



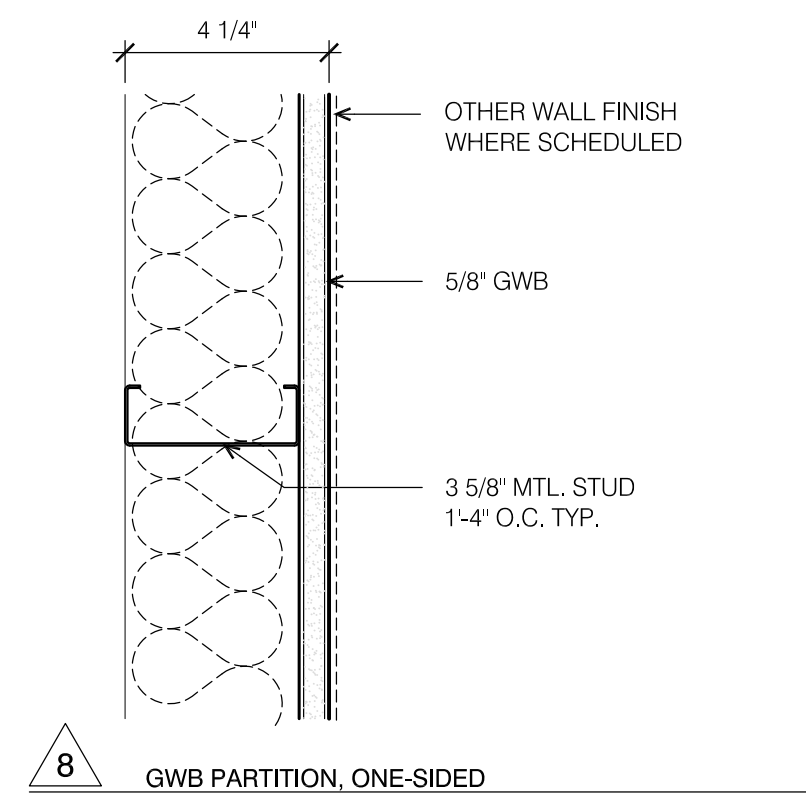
11 EXIST. PARTITION PATCH PLASTER AS REQD.



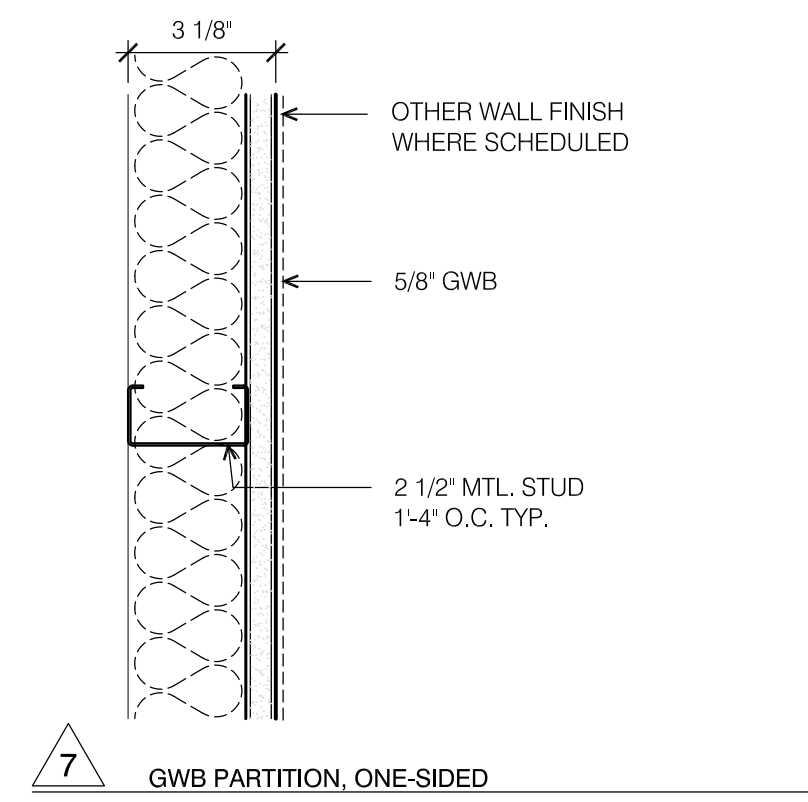
10 EXIST. PARTITION FURRED PARTITION



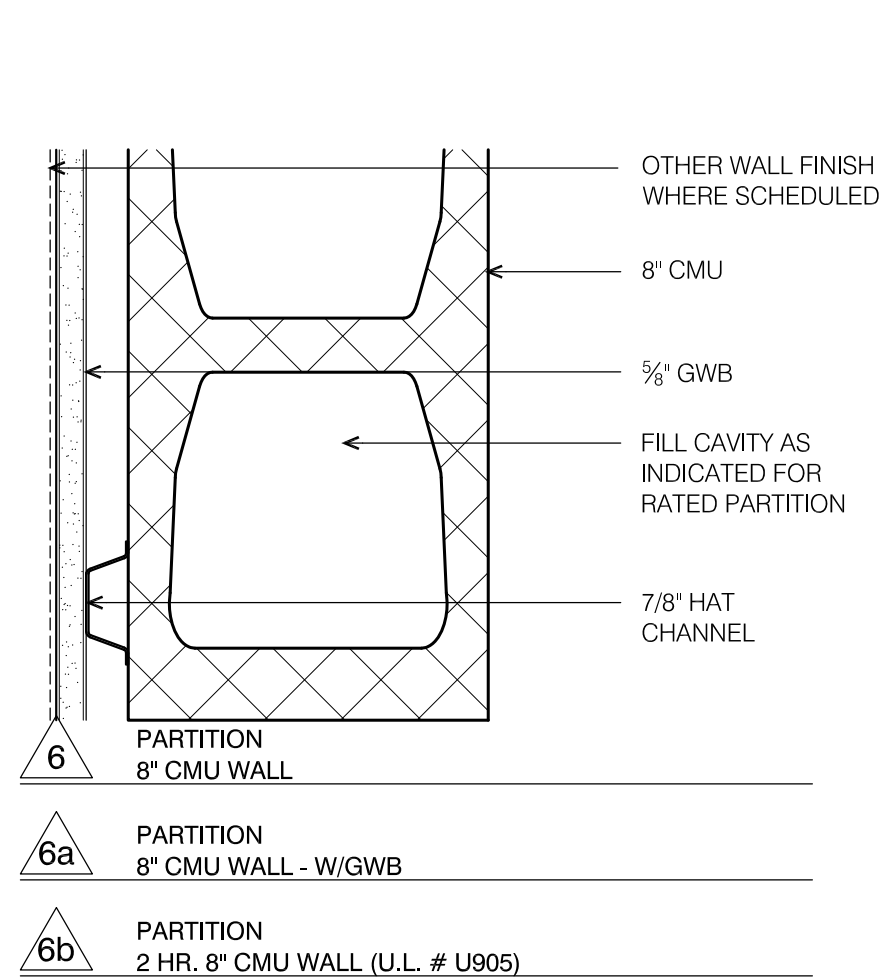
9 PARTITION GWB BRACING ENCLOSURE (U.L.# X528)



8 GWB PARTITION, ONE-SIDED



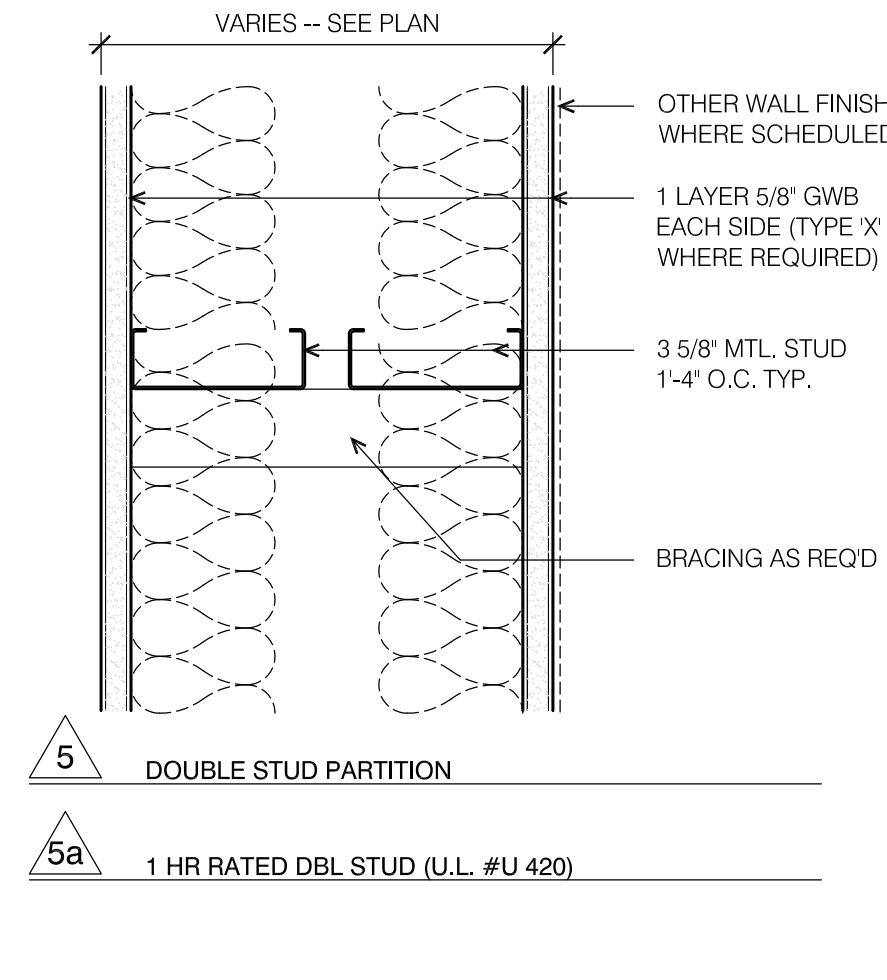
7 GWB PARTITION, ONE-SIDED



6 PARTITION 8\"/>

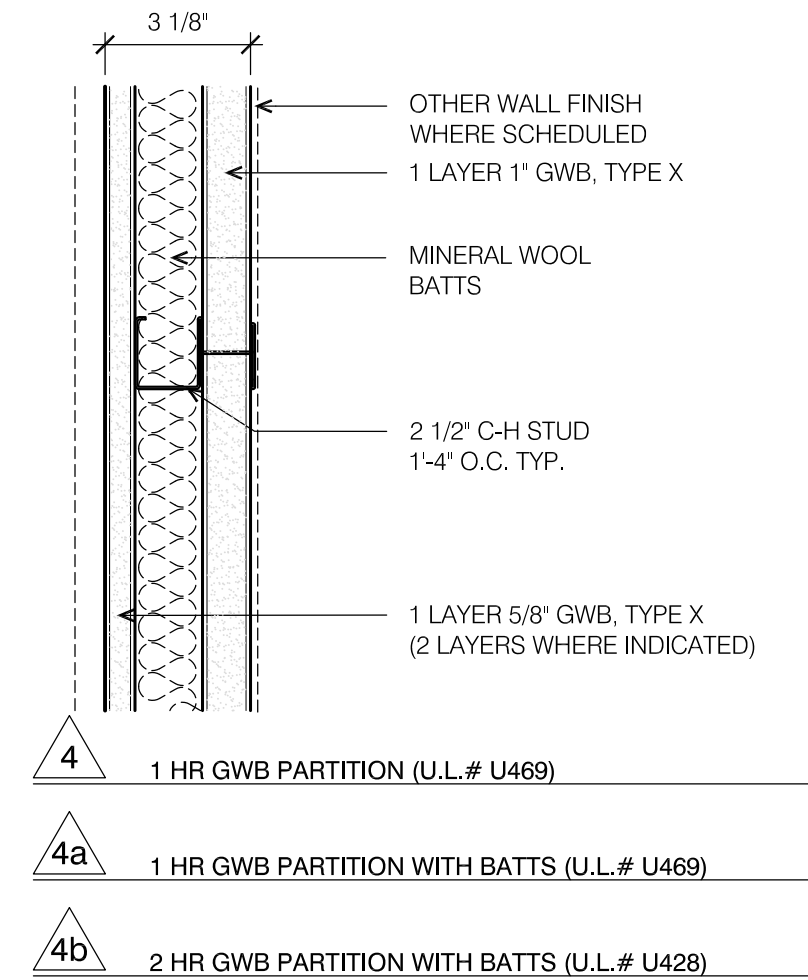
6a PARTITION 8\"/>

6b PARTITION 2 HR. 8\"/>



5 DOUBLE STUD PARTITION

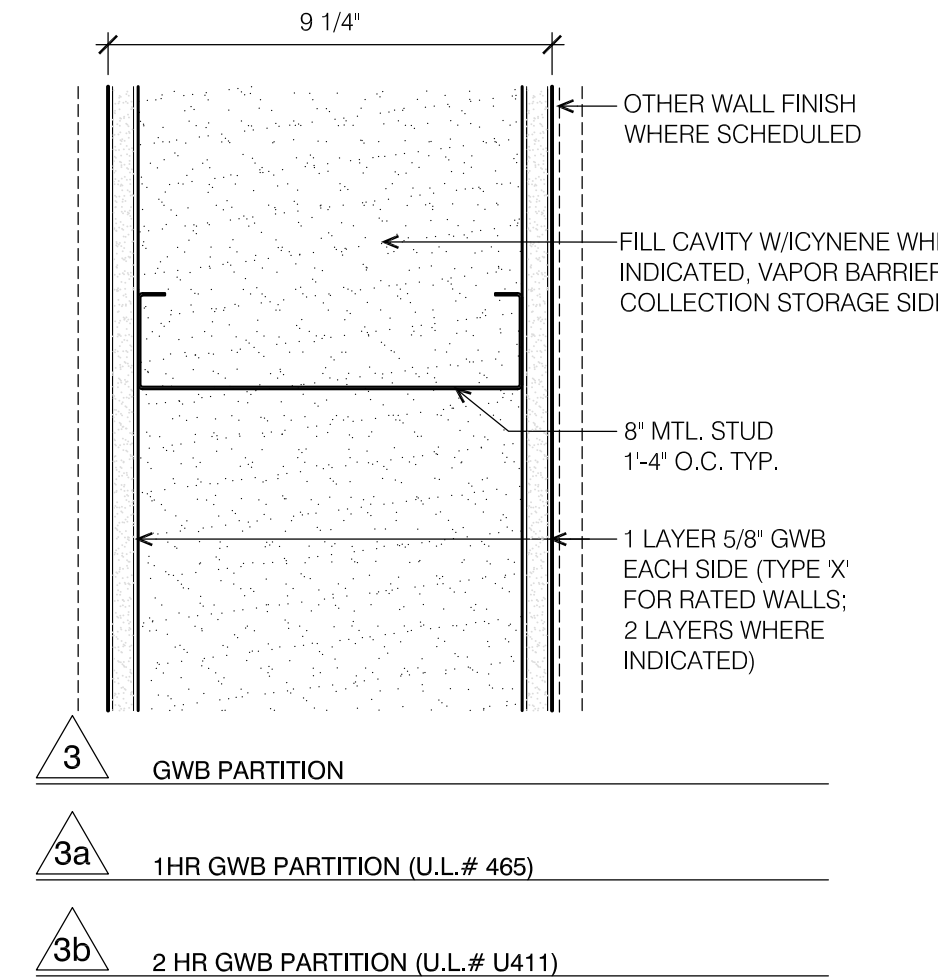
5a 1 HR RATED DBL STUD (U.L.# U420)



4 1 HR GWB PARTITION (U.L.# U469)

4a 1 HR GWB PARTITION WITH BATTS (U.L.# U469)

4b 2 HR GWB PARTITION WITH BATTS (U.L.# U428)

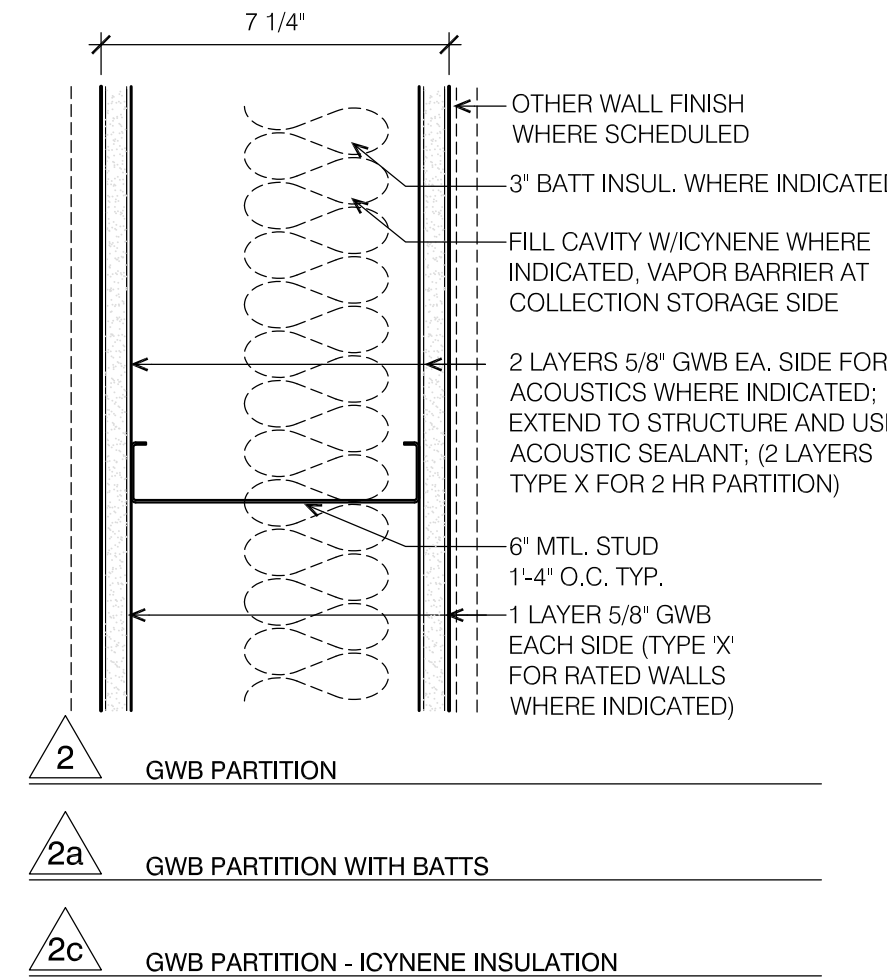


3 GWB PARTITION

3a 1HR GWB PARTITION (U.L.# 465)

3b 2 HR GWB PARTITION (U.L.# U411)

3c GWB PARTITION - ICYNENE INSULATION



2 GWB PARTITION

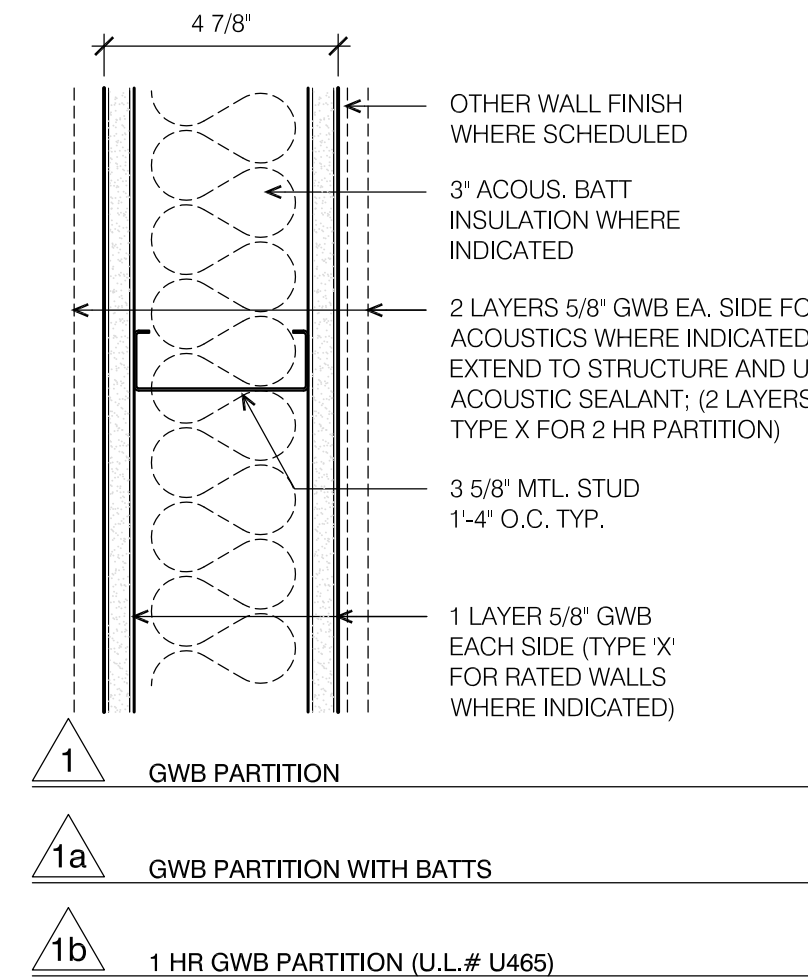
2a GWB PARTITION WITH BATTS

2c GWB PARTITION - ICYNENE INSULATION

2d GWB PARTITION - ACOUSTIC

2e 2 HR GWB PARTITION (U.L.# U411)

2f 1 HR GWB PARTITION (U.L.# U465)



1 GWB PARTITION

1a GWB PARTITION WITH BATTS

1b 1 HR GWB PARTITION (U.L.# U465)

1c GWB PARTITION - ACOUSTIC

1d 2 HR GWB PARTITION (U.L.# U411)

| DATE     | REVISIONS   | Drawn By | Date | Reviewed By | Date | Approved By | Date |
|----------|-------------|----------|------|-------------|------|-------------|------|
| 09/13/07 | REVISION 01 |          |      |             |      |             |      |
|          |             |          |      |             |      |             |      |
|          |             |          |      |             |      |             |      |
|          |             |          |      |             |      |             |      |
|          |             |          |      |             |      |             |      |
|          |             |          |      |             |      |             |      |
|          |             |          |      |             |      |             |      |
|          |             |          |      |             |      |             |      |
|          |             |          |      |             |      |             |      |
|          |             |          |      |             |      |             |      |