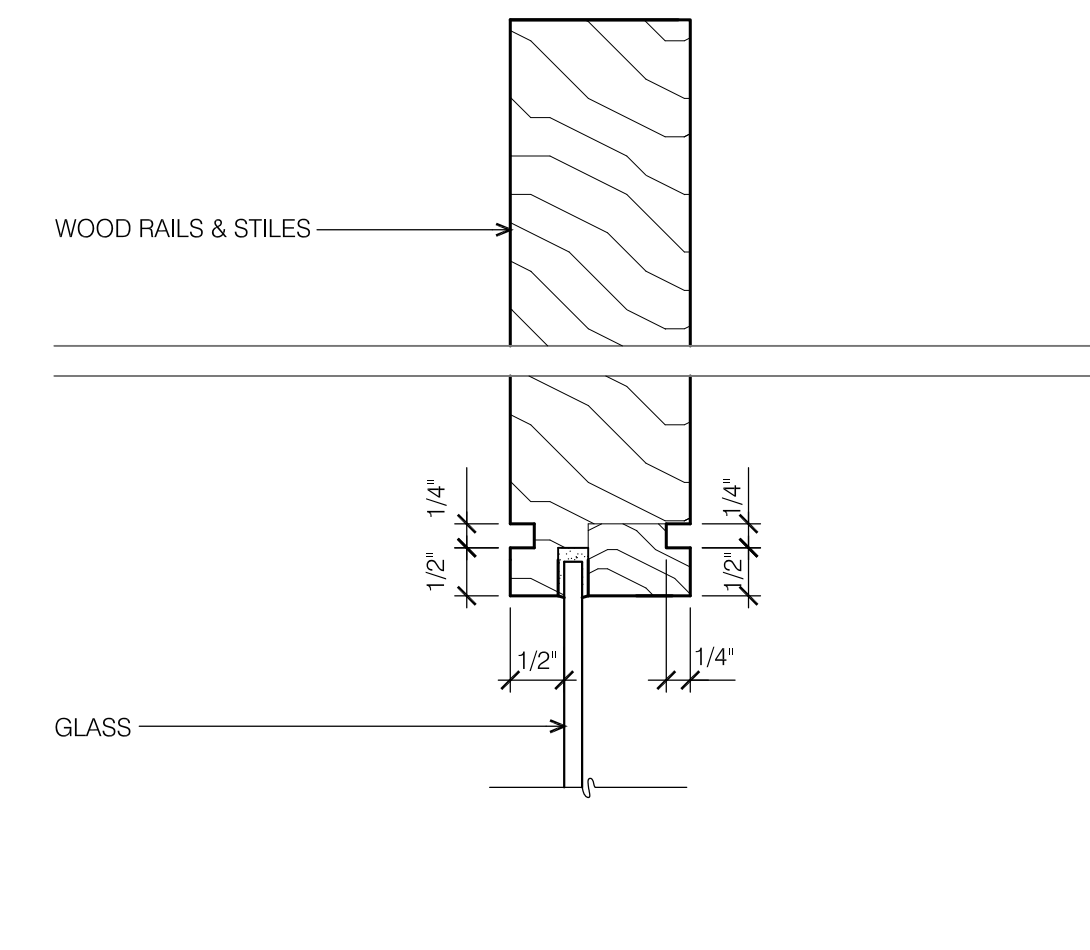
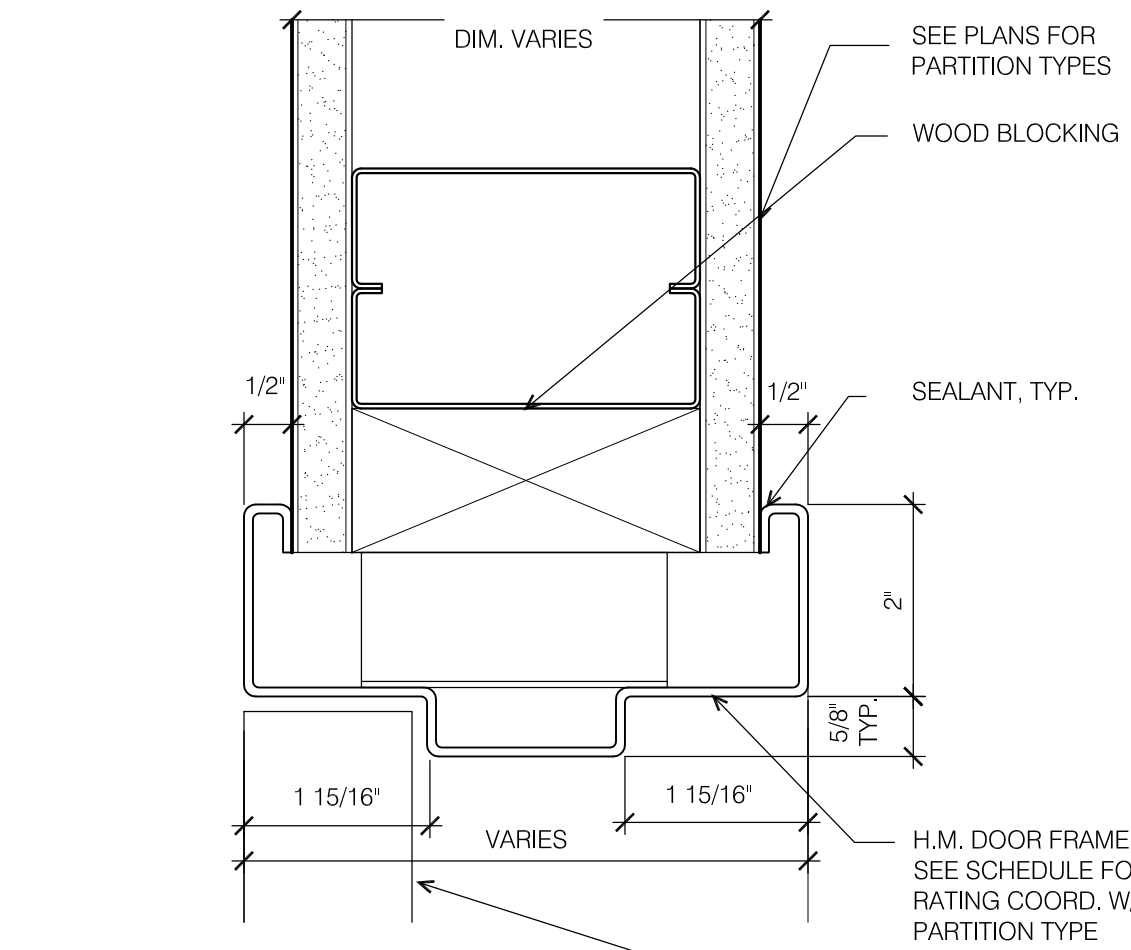


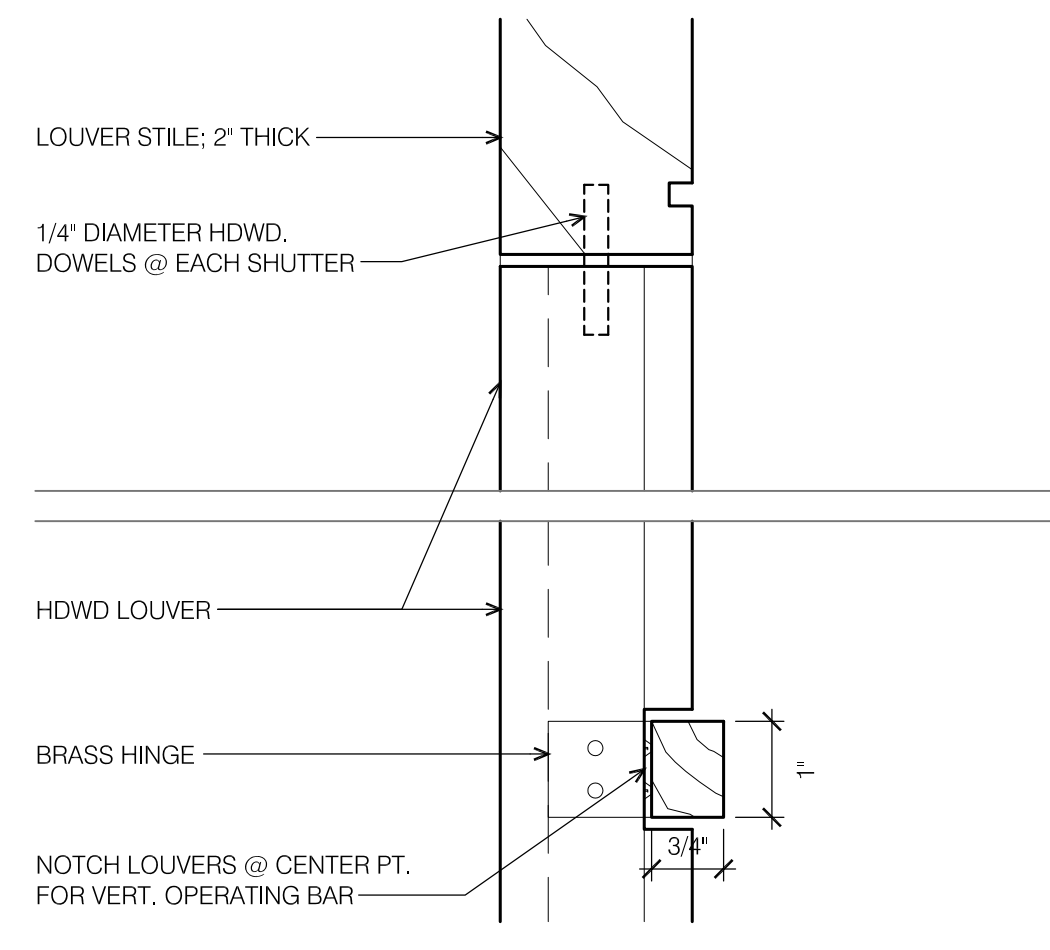
14 WOOD SHUTTER @ TOP RAIL
 A11.2 Scale: 6" = 1'-0"



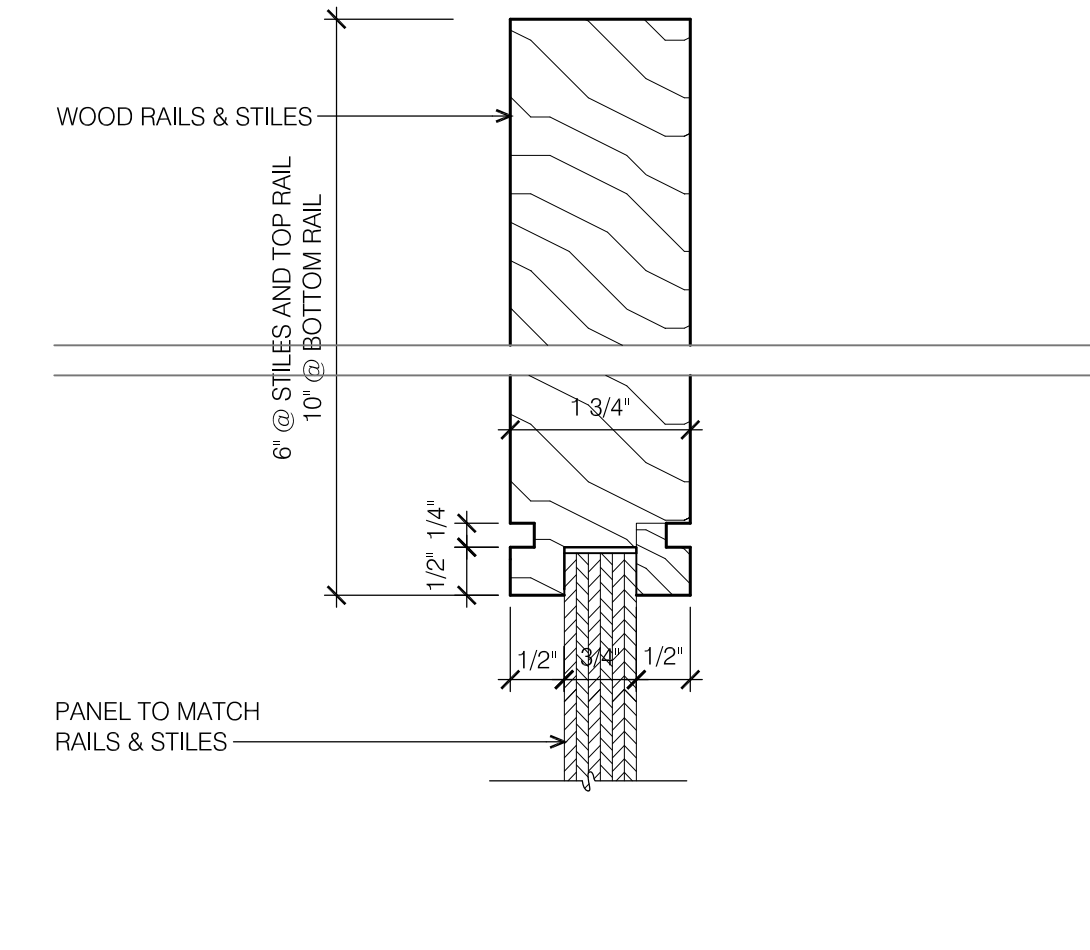
10 INT. WD STILE & RAIL DOOR W/ LITE
 A11.2 Scale: 6" = 1'-0"



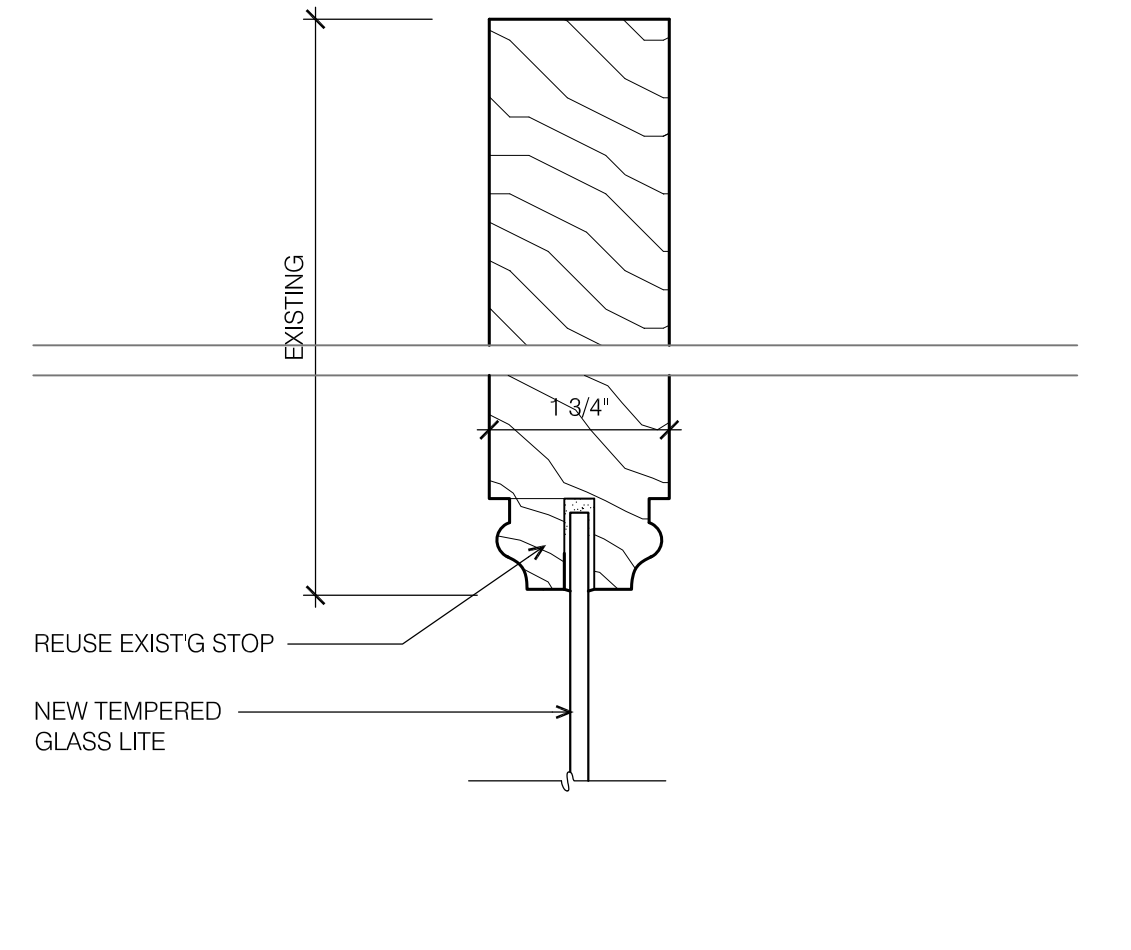
6 HM HEAD/JAMB
 A11.3 Scale: 3" = 1'-0"



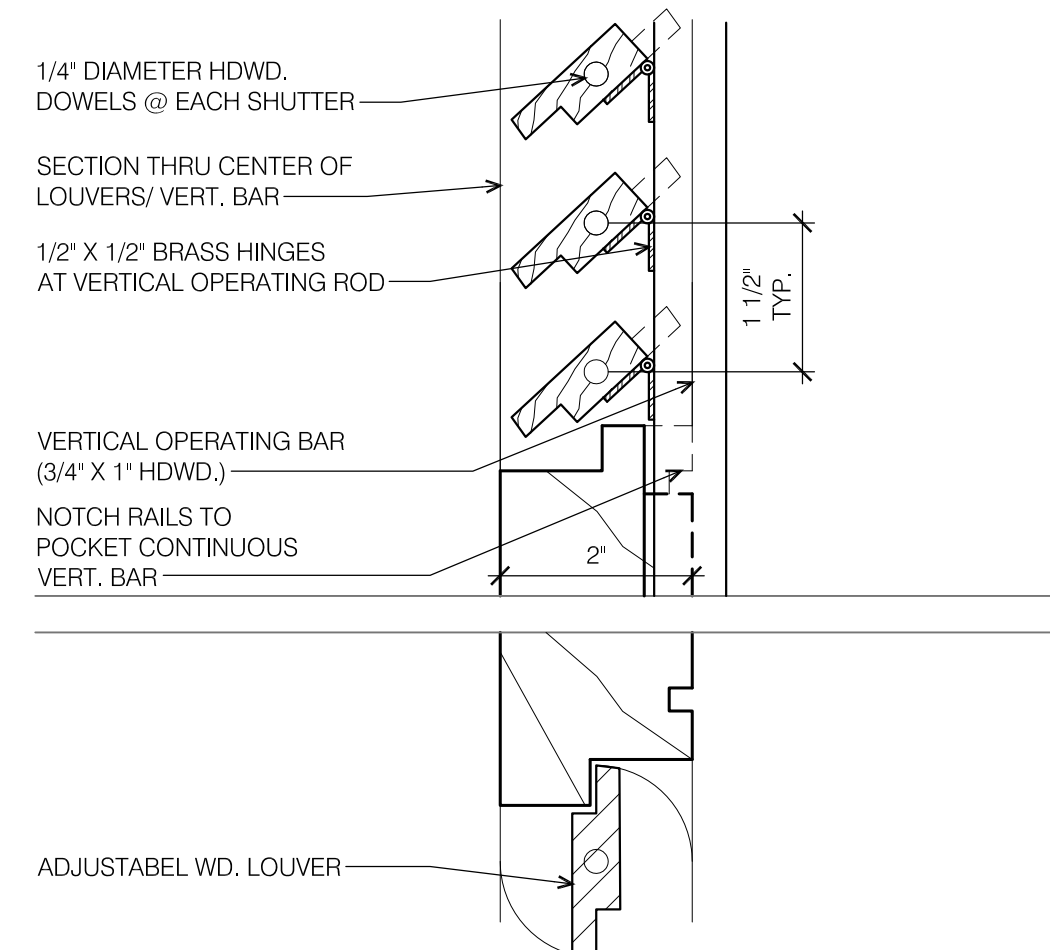
13 WOOD SHUTTER PLAN SECTION
 A11.2 Scale: 6" = 1'-0"



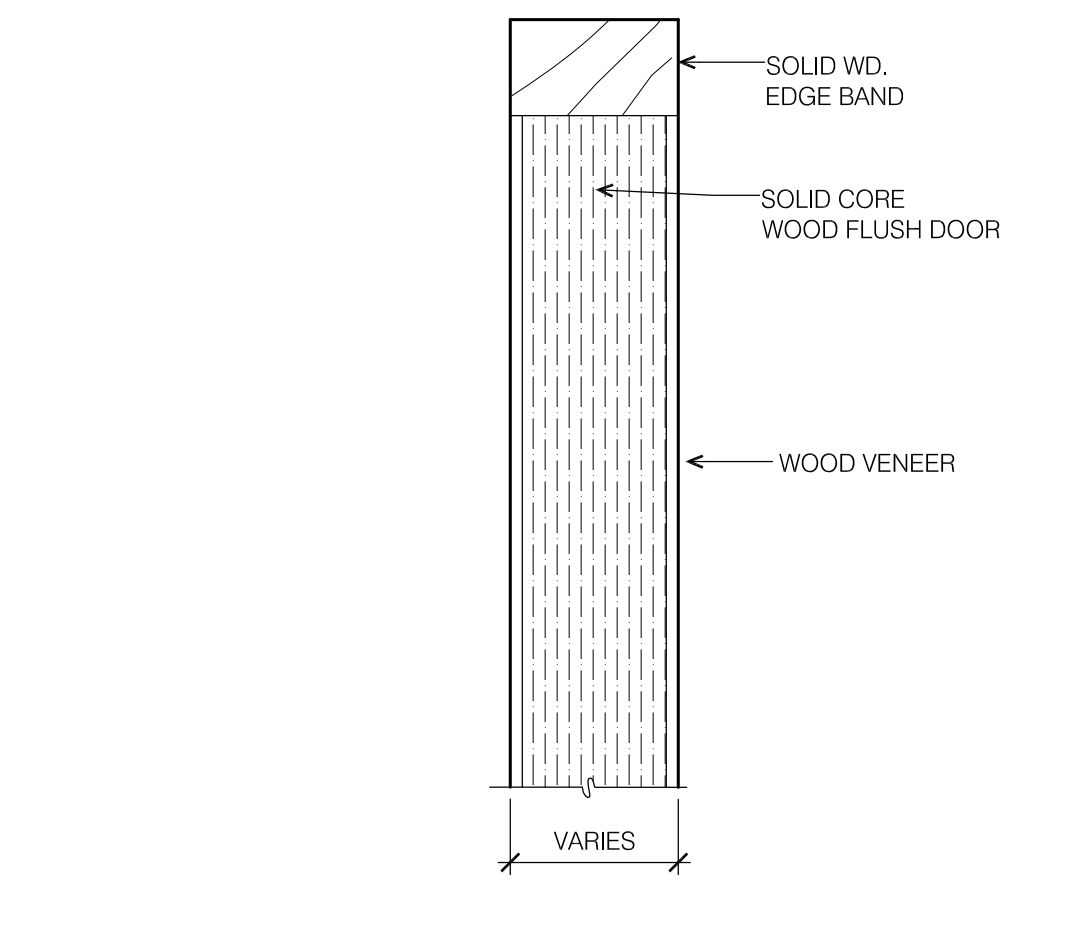
9 INT. WD STILE & RAIL DOOR
 A11.2 Scale: 6" = 1'-0"



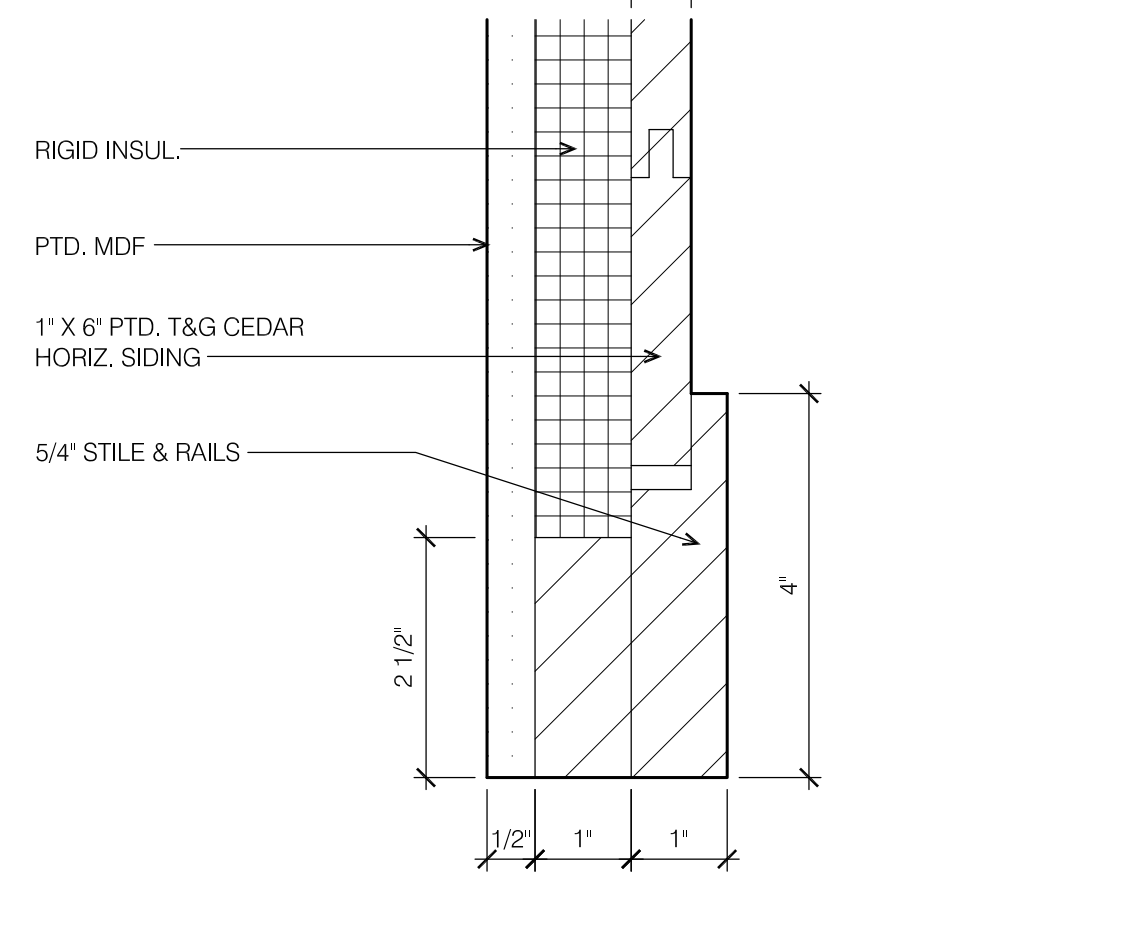
5 EXISTING INT. WD STILE & RAIL DOOR
 A11.2 Scale: 6" = 1'-0"



12 WOOD SHUTTER @ INTERMEDIATE RAIL
 A11.2 Scale: 6" = 1'-0"

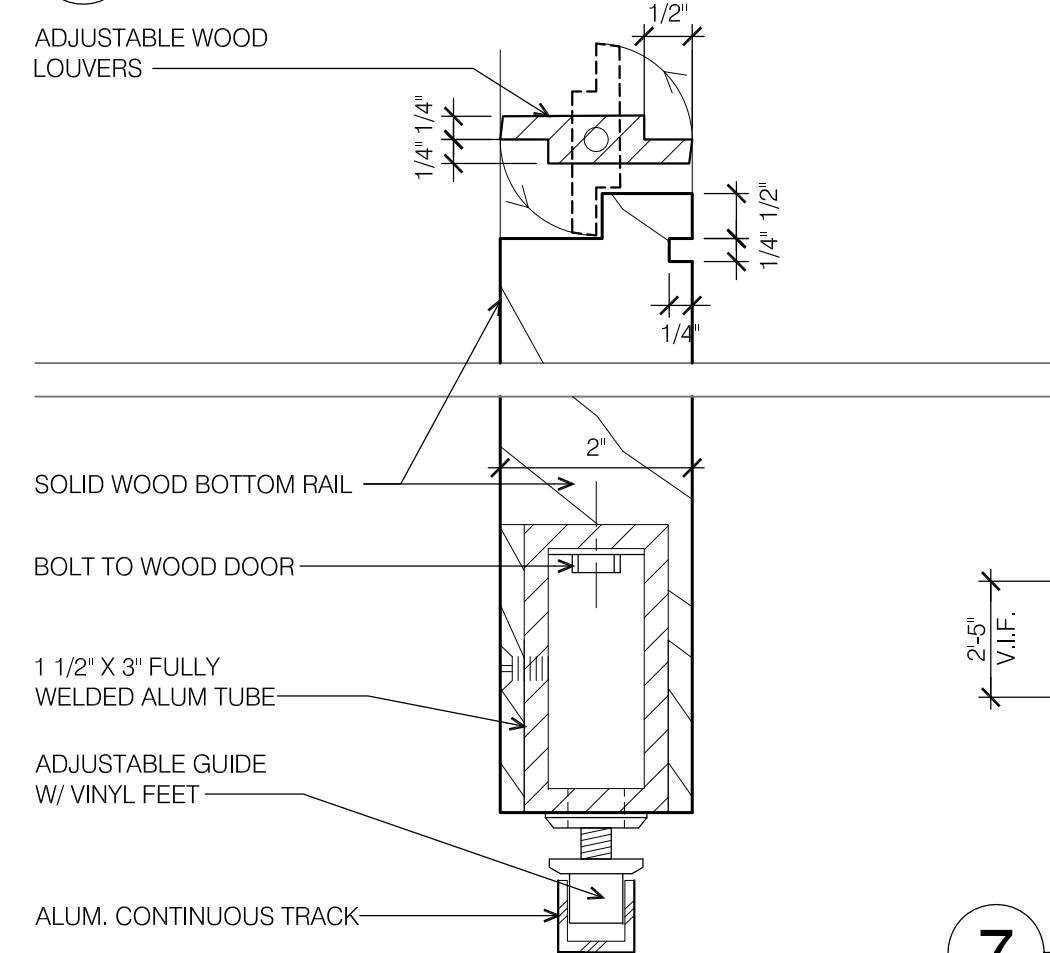


8 INT. SOLID CORE WOOD DOOR
 A11.2 Scale: 6" = 1'-0"

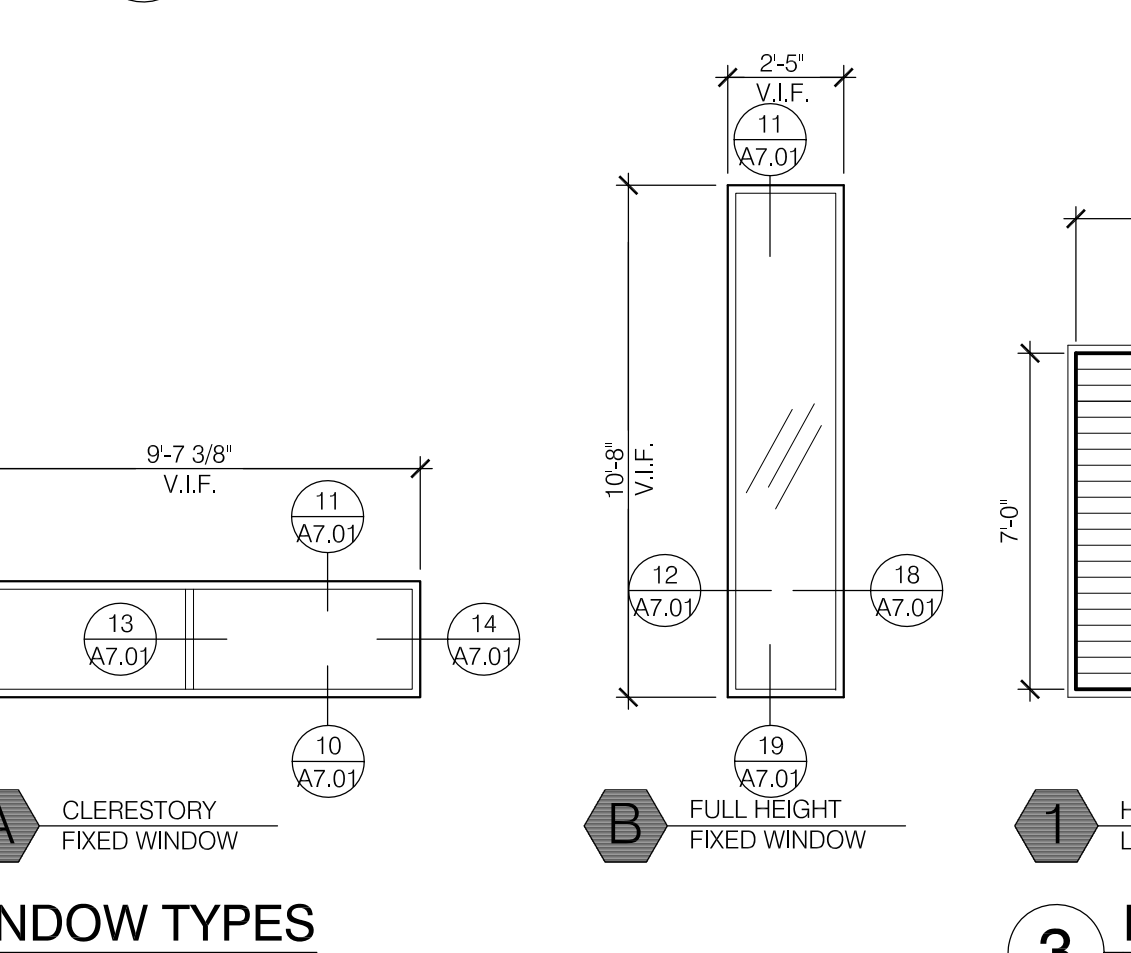


4 OVERHEAD DOOR
 A11.2 Scale: 6" = 1'-0"

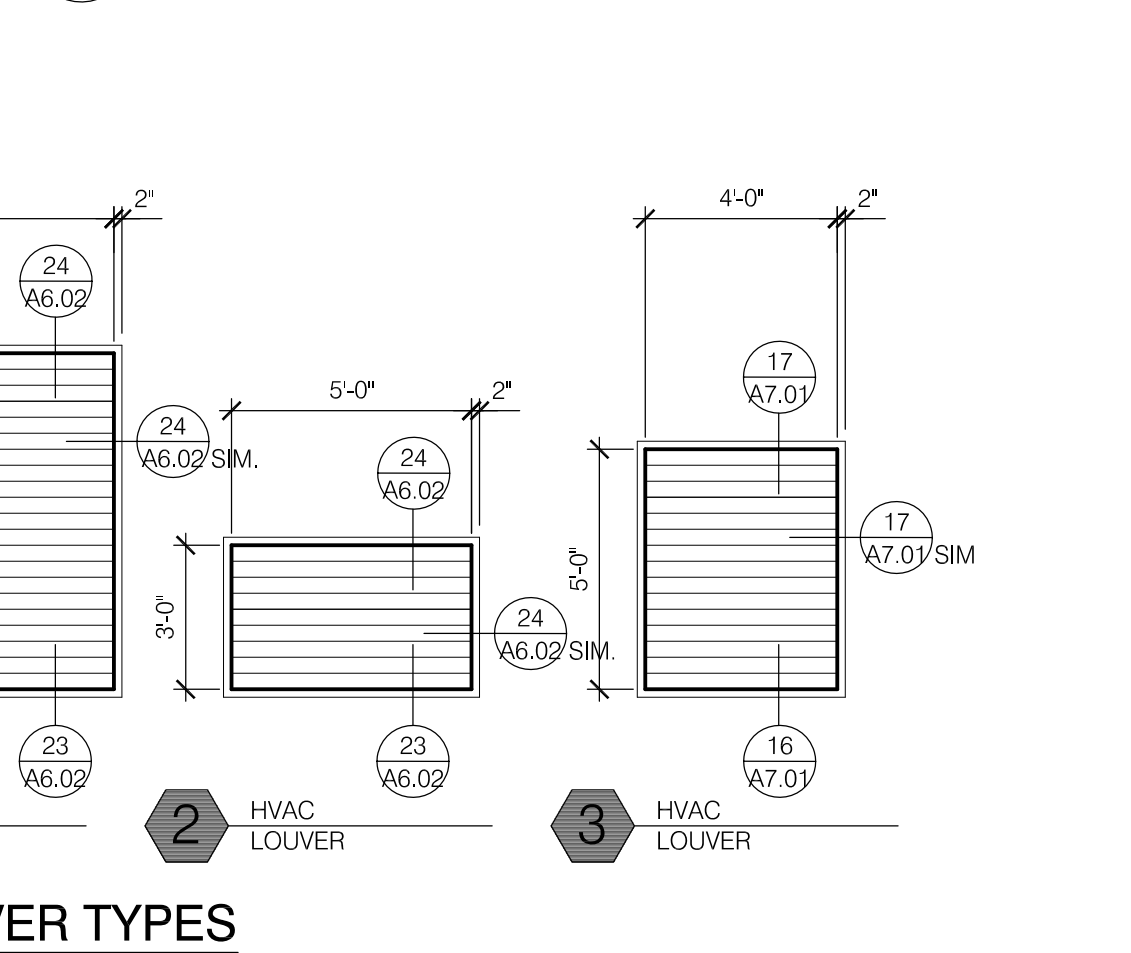
DOOR SCHEDULE														REMARKS		
DOOR NO.	TO RM.	FROM RM. (KEY SIDE)	HWDE.	DOOR			RATING	FRAME			THRESH.					
				OPENING WIDTH	HT.	THICKNESS		TYPE	MATL.	FIN.					HEAD DTL.	JAMB DTL.
BASEMENT																
B02	B01	MECH ROOM	B02	J	36"	84"	1 3/4"	A	HDWD	PTD	90		MTL	PTD	-	
B03	B03	ELEC ROOM	B01	J	36"	84"	1 3/4"	A	HDWD	PTD	45		MTL	PTD	-	
B04	B04	EMERGENCY ELEC	B01	J	36"	84"	1 3/4"	A	HDWD	PTD	90		MTL	PTD	-	
GARDEN FLOOR																
G01	-	UNDER STAIR 01	G07	A	36"	84"	1 3/4"	A	HDWD	PTD	-		MTL	PTD	11/11.02	
G02	G02	STORAGE	G01	K2	EX	EX	EX	EX	HDWD	CLR	-		WD	CLR	11/11.02	RELOCATE DOOR + TRANSOM
G03	G03	JANITOR	G02	J	36"	84"	1 3/4"	A	HDWD	PTD	-		MTL	PTD	ALUM.	
G05.1	G05	TECH SERVICES	G04	K2	42"	84"	1 3/4"	B	HDWD	PTD	-		MTL	PTD	9/11.02	
G05.2	G05	TECH SERVICES	G12	K2	42"	84"	1 3/4"	B	HDWD	PTD	45		MTL	PTD	9/11.02	
G06	G06	MEN	G04	A	36"	84"	1 3/4"	C	HDWD	PTD	-		MTL	PTD	TILE	ELEC. DOOR OPERATOR G06 SIDE; CONT. FLUSH THRESHOLD
G07	G07	WOMEN	G04	B	36"	84"	1 3/4"	C	HDWD	PTD	-		MTL	PTD	TILE	CONT. FLUSH THRESHOLD
G08	G08	SHORT-TERM STO	G05	J	42"	84"	1 3/4"	B	HDWD	PTD	-		MTL	PTD	9/11.02	SIM.
G09	G09	PHOTO	G05	J	36"	84"	1 3/4"	C	HDWD	PTD	-		MTL	PTD	9/11.02	SIM.
G10	G10	ELEVATOR MACH	G10	J	36"	84"	1 3/4"	C	HDWD	PTD	90		MTL	PTD	9/11.02	SIM.
G11	G11	CLOSET	G09	I	36"	84"	1 3/4"	A	HDWD	PTD	-		MTL	PTD	-	
G12	G12	ELEV WAIT	G13	C	36"	84"	1 3/4"	C	HDWD	PTD	45		MTL	PTD	9/11.02	EXTERIOR WEATHERSTRIPPING + CLOSER; FLOOR MAT
G13	G13	ENTRY	EXT	S	36"	84"	1 3/4"	D	HDWD	PTD	-		MTL	PTD	-	EXTERIOR WEATHERSTRIPPING + CLOSER
G14.1	G14	STAIR 02	G12	N	36"	84"	1 3/4"	C	HDWD	PTD	90		MTL	PTD	TILE	CONT. FLUSH THRESHOLD
G14.2	G14	STAIR 02: GATE	G14	Q	44"	36"	-	J	STL	PTD	-		MTL	PTD	-	METAL GATE W/ HDWD CAP TO MATCH HANDRAIL
G15	G15	KITCHEN	G12	H	36"	84"	1 3/4"	C	HDWD	PTD	45		MTL	PTD	TILE	CONT. FLUSH THRESHOLD
G16	G16	COLL. STORAGE	B12	K2	42"	84"	1 3/4"	B	HDWD	PTD	45		MTL	PTD	10/11.02	WEATHERSTRIPPING
G17	G17	SPECIAL PROJ	G16	F	42"	84"	1 3/4"	B	HDWD	PTD	-		MTL	PTD	-	WEATHERSTRIPPING
G18.1	G18	GARDEN STORAGE	EXT	U	48"	84"	1 3/4"	I	HDWD	PTD	-		MTL	PTD	ALUM.	OVERHEAD DOOR; WEATHERSTRIPPING @ SILL
G18.2	EXT	(GATE)	EXT	V	48"	84"	1 1/2"	O	HDWD	PTD	-		WD	PTD	-	SEE DETAILS A6.04
FIRST FLOOR																
101	101	ENTRY	EXT	S	EX	EX	EX	EX	HDWD	PTD	-		EX	CLR	ETR	NEW WEATHERSTRIPPING
102	102	VESTIBULE	101	-	-	-	-	-	HDWD	CLR	-		EX	CLR	ETR	REMOVE DOOR FROM OPENING PATCH CASING AS REQUIRED
103	103	W.C.	102	D	EX	EX	EX	EX	HDWD	CLR	-		WD	CLR	SLATE	REUSE EXISTING W.C. DOOR
104	104	READING ROOM 1	101	P	EX	EX	EX	F	HDWD	CLR	-		WD	CLR	ETR	REUSE ORIGINAL HDWD DOOR; REPLACE WD. PANELS W/ GLASS
106	106	CLOSET	104	J	36"	±78"	1 3/4"	A	HDWD	PTD	-		MTL	PTD	-	G.C. COORDINATE HEIGHT OF DOOR WITH STEEL AT MEZZANINE
107	107	ELEV WAITING	105	L3	42"	84"	1 3/4"	G	WD/GL	PTD	-		MTL	PTD	5/10.01	SEE STRUCT. FOR ADDTL DETAIL
108	108	TEL DATA	109	I	36"	84"	1 3/4"	C	HDWD	PTD	-		MTL	PTD	7/11.02	
109.1	109	CONFERENCE	107	F	36"	84"	1 3/4"	H	WD/GL	PTD	-		MTL	PTD	8/11.02	
109.2	109	CONFERENCE	-	-	30"	13'-0"	2"	(4)K	WDMTL	CLR	-		-	-	11/11.01	4 SLIDING SHUTTERS; 14/11.01 HEAD
109.3	109	CONFERENCE	-	-	30"	13'-0"	2"	(4)K	WDMTL	CLR	-		-	-	11/11.01	4 SLIDING SHUTTERS; 14/11.01 HEAD
109.4	109	CONFERENCE	-	-	30"	13'-0"	2"	(2)K	WDMTL	CLR	-		-	-	11/11.01	2 SLIDING SHUTTERS; 14/11.01 HEAD
109.5	109	CONFERENCE	-	-	42"	13'-0"	2"	(1)L+(1)K	WDMTL	CLR	-		-	-	11/11.01	2 SLIDING SHUTTERS; 14/11.01 HEAD
110	110	COLLECTIONS STO	107	K	42"	84"	1 3/4"	B	HDWD	PTD	-		MTL	PTD	10/11.02	WEATHERSTRIPPING
111	ST02	STAIR 02	107	N	36"	84"	1 3/4"	C	HDWD	PTD	90		MTL	PTD	TILE	CONT. FLUSH THRESHOLD
112.1	112	STAFF MEETING	110	F	36"	84"	1 3/4"	C	HDWD	PTD	-		MTL	PTD	7/11.02	WEATHERSTRIPPING
112.2	112	STAFF MEETING	113	F	36"	84"	1 3/4"	C	HDWD	PTD	-		MTL	PTD	-	
112.3	112	STAFF MEETING	-	-	30"	13'-0"	2"	(4)K	WDMTL	CLR	-		-	-	11/11.01	4 SLIDING SHUTTERS; 14/11.01 HEAD
113.1	113	LIBRARIAN	110	F	36"	84"	1 3/4"	C	HDWD	PTD	-		MTL	PTD	7/11.02	WEATHERSTRIPPING
113.2	113	LIBRARIAN	-	-	30"	13'-0"	2"	(4)K	WDMTL	CLR	-		-	-	11/11.01	4 SLIDING SHUTTERS; 14/11.01 HEAD
114		CHILDREN'S GATE	T2	-	-	-	-	-	WD	PTD	-		WD	PTD	-	SEE ALTERNATES, A6.04; 2 LEAF, EXT. PTD WOOD LATTICE GATE
MEZZANINE																
M01	M02	CAST IRON STACKS	M01	K	36"	±88"	1 3/4"	A	HDWD	PTD	-		MTL	PTD	9/10.01	
M03	M03	STAIR 02	M01	J	36"	84"	1 3/4"	C	HDWD	PTD	90		MTL	PTD	TILE	CONT. FLUSH THRESHOLD
SECOND FLOOR																
203	203	LOUNGE	202	H	EX	EX	EX	F	HDWD	CLR	-		EX	CLR	ETR	REFURBISH DOOR + FRAME; REPLACE WD. PANELS W/ GLASS
204	204	READING ROOM 2	202	L3	EX	EX	EX	F	WD/GL	CLR	-		EX	CLR	ETR	REFURBISH DOOR + FRAME; REPLACE WD. PANELS W/ GLASS
205	207	ELEV WAITING	205	L	42"	84"	1 3/4"	G	WD/GL	PTD	-		MTL	PTD	ETR	
208	208	TEL / DATA	210	I	36"	84"	1 3/4"	C	HDWD	PTD	-		MTL	PTD	-	
209.1	209	MAINE MEMORY	207	F	36"	84"	1 3/4"	H	WD/GL	PTD	-		MTL	PTD	9/11.02	
209.2	209	MAINE MEMORY	-	-	30"	10'-0"	2"	(4)M	WDMTL	CLR	-		-	-	11/11.01	4 SLIDING SHUTTERS; 14/11.01 HEAD
209.3	209	MAINE MEMORY	-	-	30"	10'-0"	2"	(4)M	WDMTL	CLR	-		-	-	11/11.01	4 SLIDING SHUTTERS; 14/11.01 HEAD
209.4	209	MAINE MEMORY	-	-	30"	10'-0"	2"	(4)M	WDMTL	CLR	-		-	-	11/11.01	4 SLIDING SHUTTERS; 14/11.01 HEAD
209.5	209	MAINE MEMORY	-	-	30"	10'-0"	2"	(2)M	WDMTL	CLR	-		-	-	11/11.01	2 SLIDING SHUTTERS; 14/11.01 HEAD
209.6	209	MAINE MEMORY	-	-	42"	10'-0"	2"	(1)N+(1)M	WDMTL	CLR	-		-	-	11/11.01	2 SLIDING SHUTTERS; 14/11.01 HEAD
210.1	210	OFFICE	209	F	36"	84"	1 3/4"	H	WD/GL	PTD	-		MTL	PTD	-	
210.2	210	OFFICE	-	-	30"	10'-0"	2"	(4)M	WDMTL	CLR	-		-	-	11/11.01	4 SLIDING SHUTTERS; 14/11.01 HEAD
211	207	STAIR 02	211	N	42"	84"	1 3/4"	B	HDWD	PTD	90		MTL	PTD	TILE	CONT. FLUSH THRESHOLD
212	212	COLLECTIONS STO	211	K	42"	84"	1 3/4"	B	HDWD	PTD	90		MTL	PTD	10/11.02	WEATHERSTRIPPING
MECHANICAL PENTHOUSE																
R01	R02	STAIR 02	R01	J	36"	84"	1 3/4"	A	HDWD	PTD	90		MTL	PTD	10/11.02	EXTERIOR WEATHERSTRIPPING
R02	R02	MECH PENTHOUSE	EXT	T	72"	84"	1 3/4"	E	HDWD	PTD	-		MTL	PTD	ALUM.	EXTERIOR WEATHERSTRIPPING



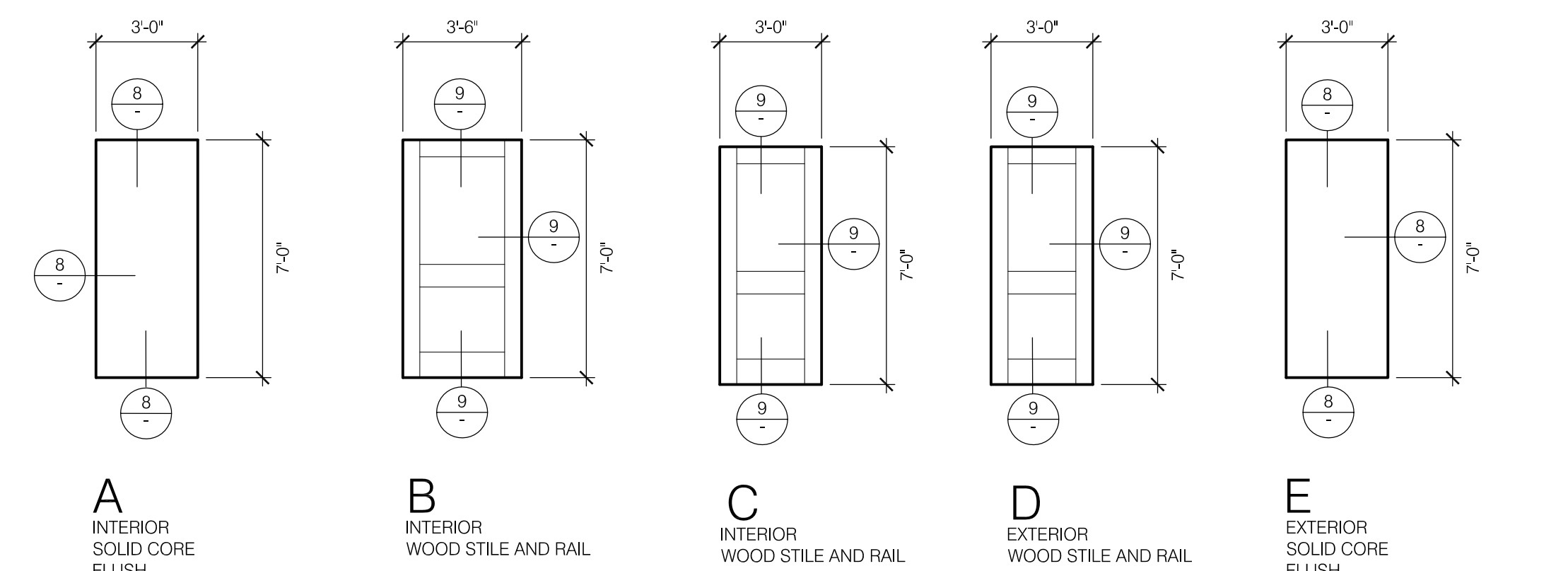
11 WOOD SHUTTER @ BOTTOM RAIL
 A11.2 Scale: 6" = 1'-0"



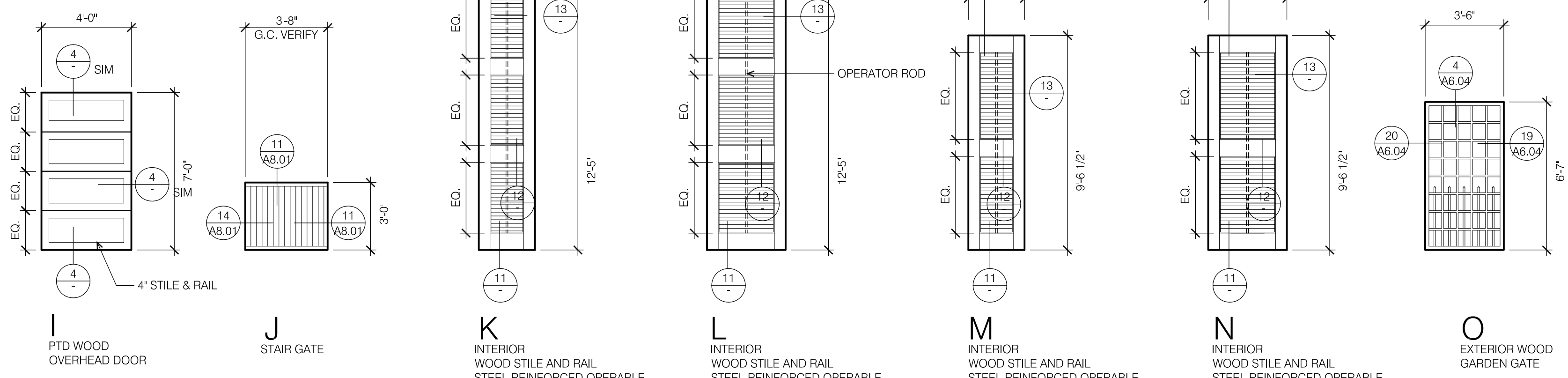
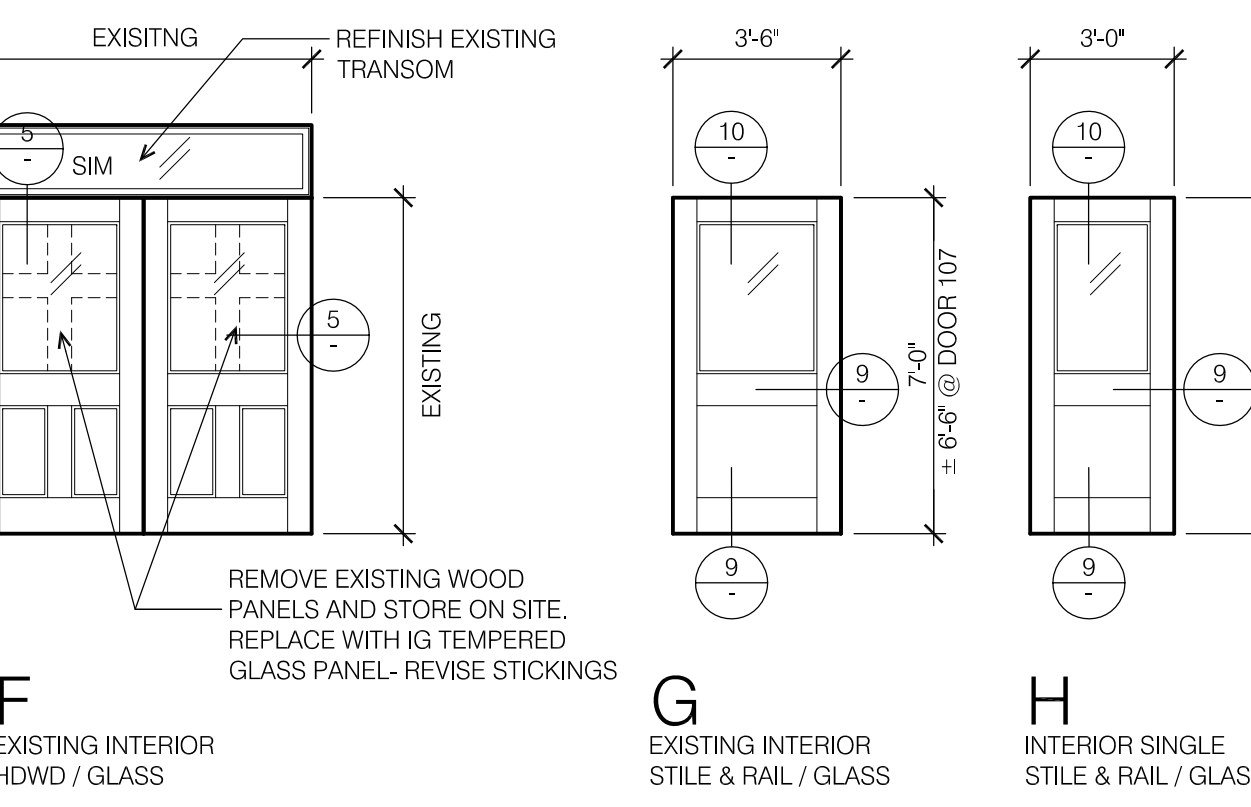
7 WINDOW TYPES
 Scale: 1/4" = 1'-0"



3 LOUVER TYPES
 Scale: 1/4" = 1'-0"



1 DOOR TYPES
 Scale: 1/4" = 1'-0"



2 DOOR SCHEDULE
 Scale: NO SCALE

1 DOOR TYPES
 Scale: 1/4" = 1'-0"

CONSULTANTS
 SCHWARTZ / SILVER ARCHITECTS INC.
 Telephone 617/542-6650
 Boston, Massachusetts 02111 Facsimile 617/851-0779

PROJECT
 MAINE HISTORICAL SOCIETY
 489 CONGRESS ST.
 PORTLAND, MAINE

DRAWING NUMBER
 A11.01

DRAWING TITLE
 DOOR TYPES, SCHEDULE & DETAILS
 WINDOW & LOUVER TYPES

DATE 09/13/07
REVISIONS
 REVISION 01
 Date: _____ Drawn By: _____
 Date: _____ Reviewed By: _____
 Date: _____ Approved By: _____