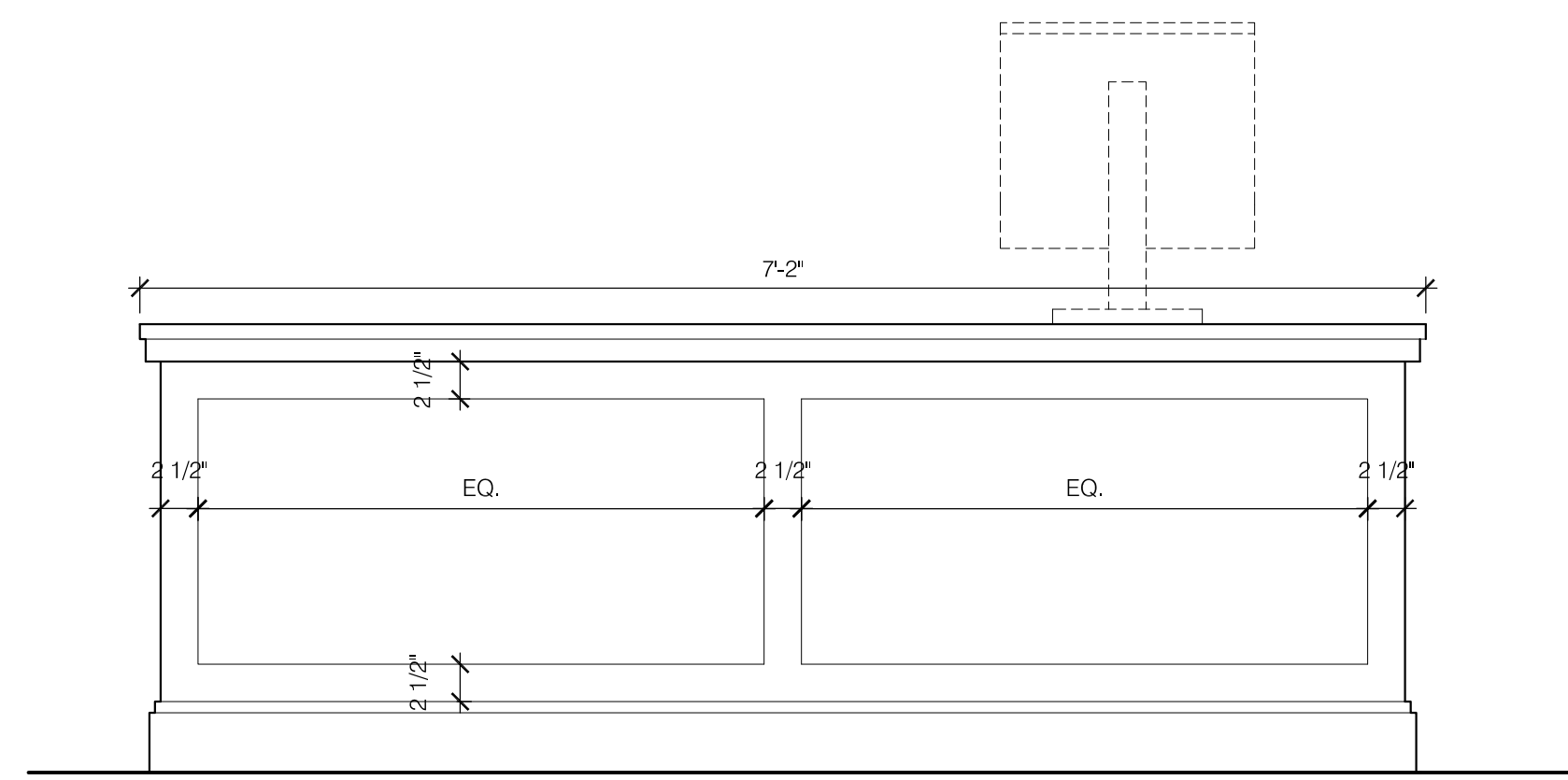
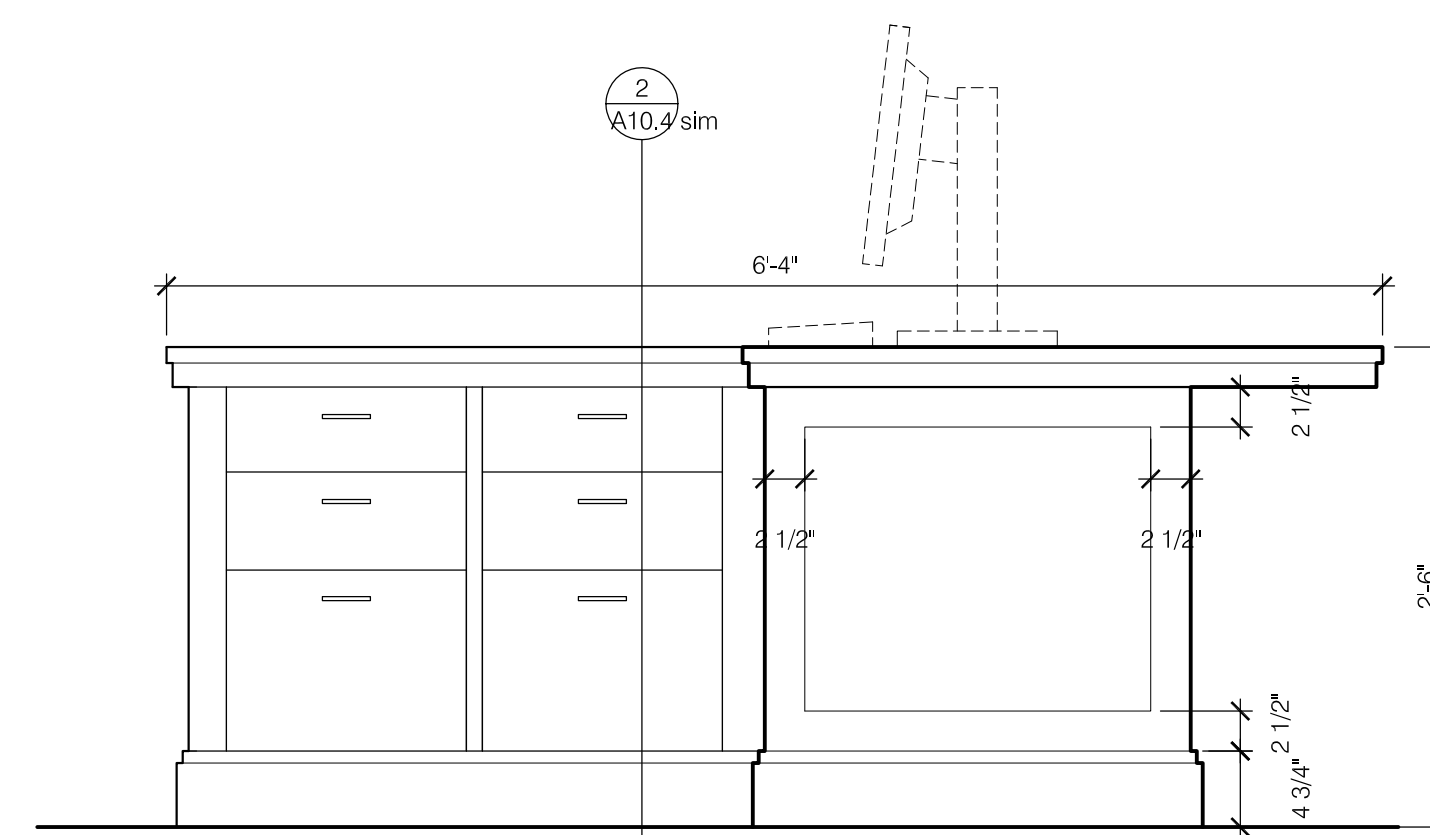


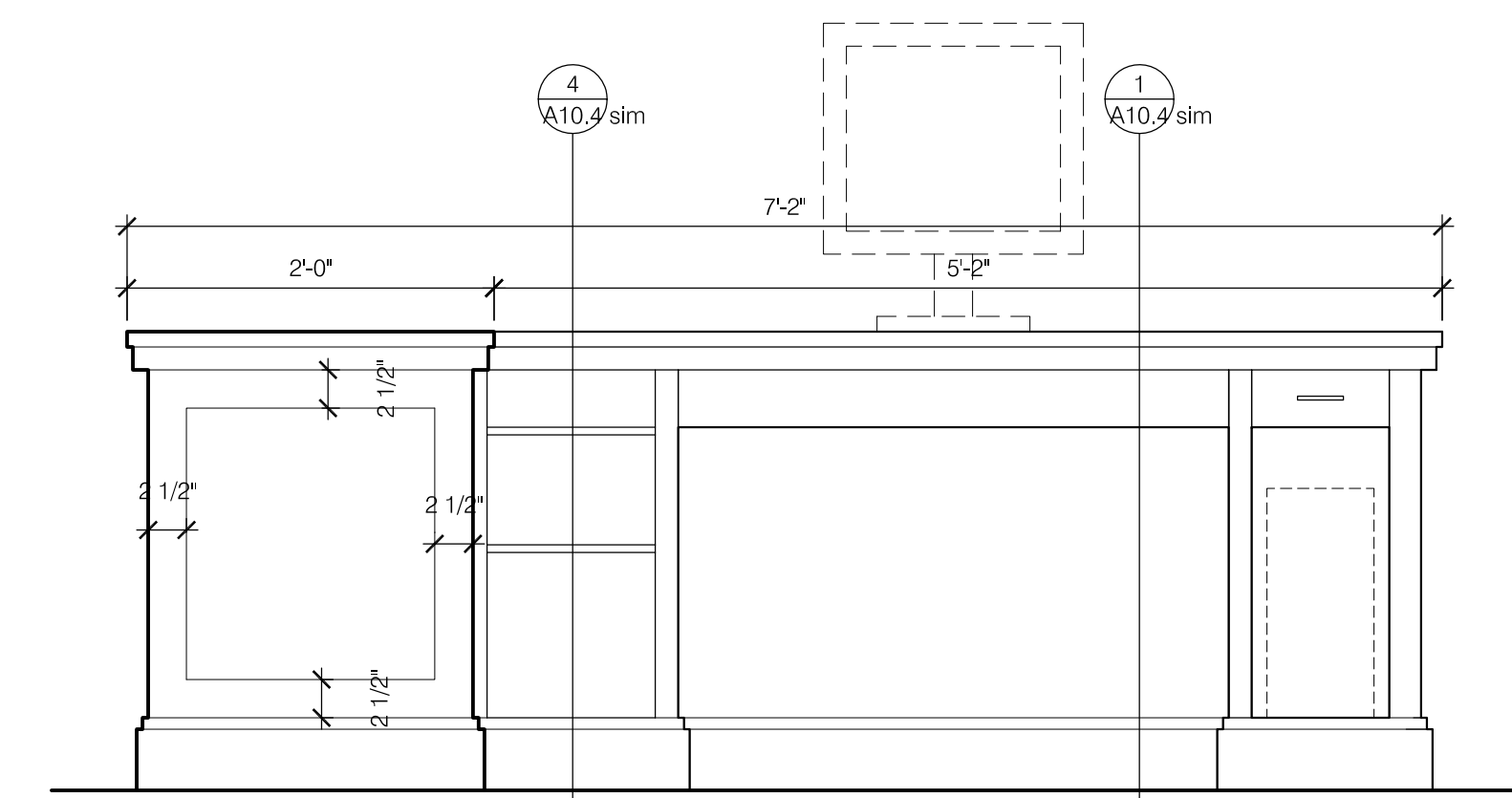
A
X REFERENCE DESK @ READING ROOM #104
 Scale: 3/4" = 1'-0"



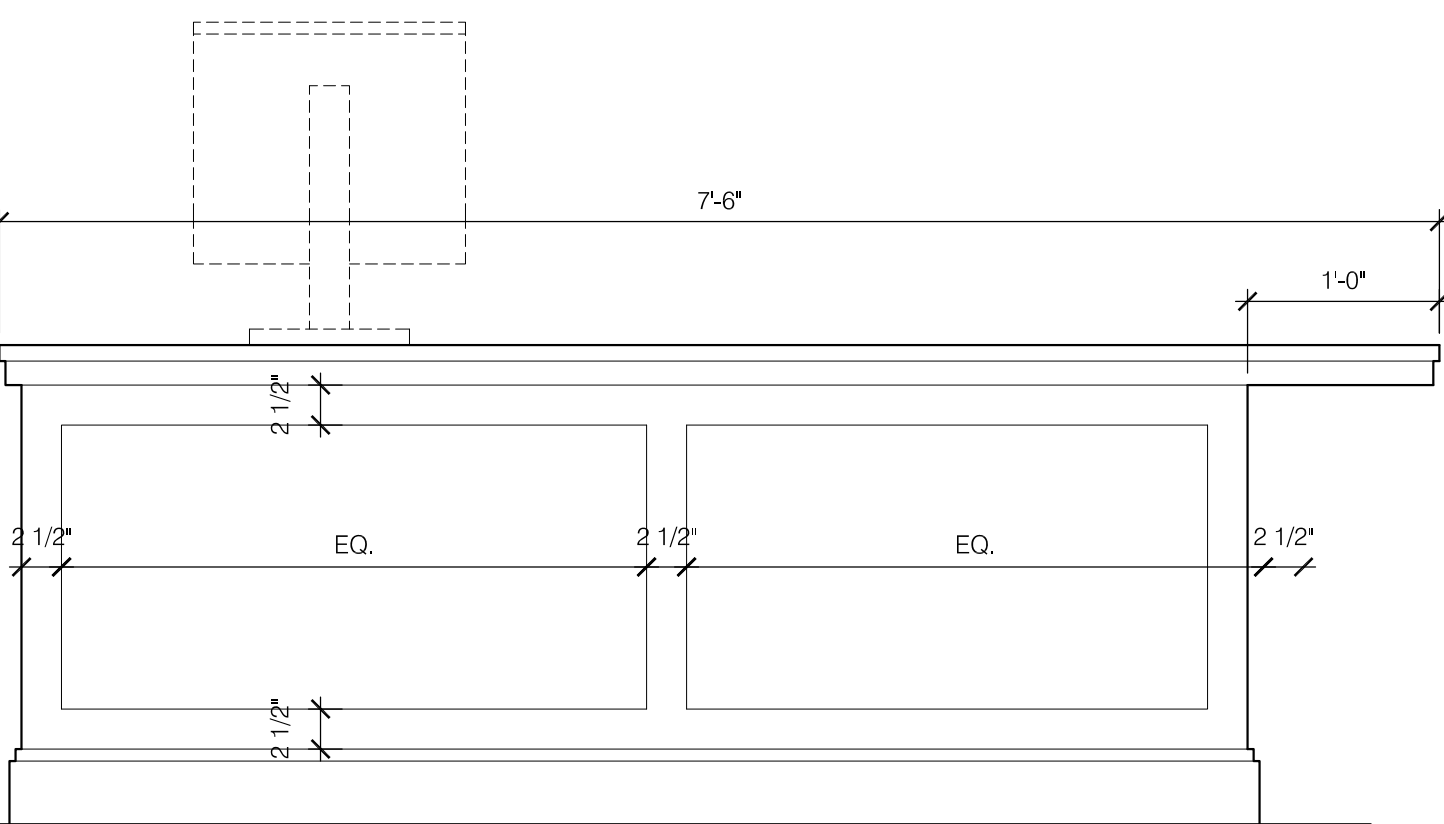
B



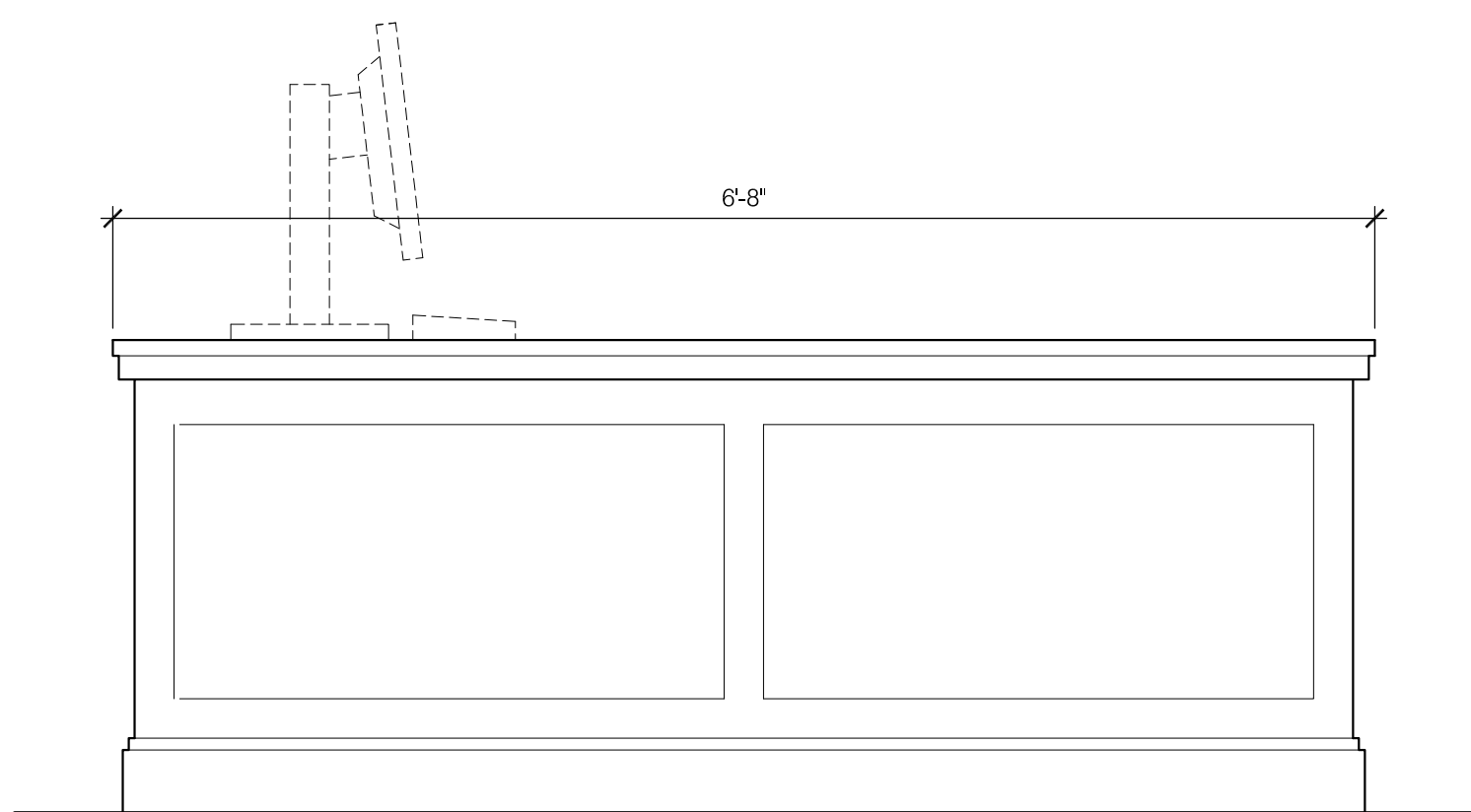
C



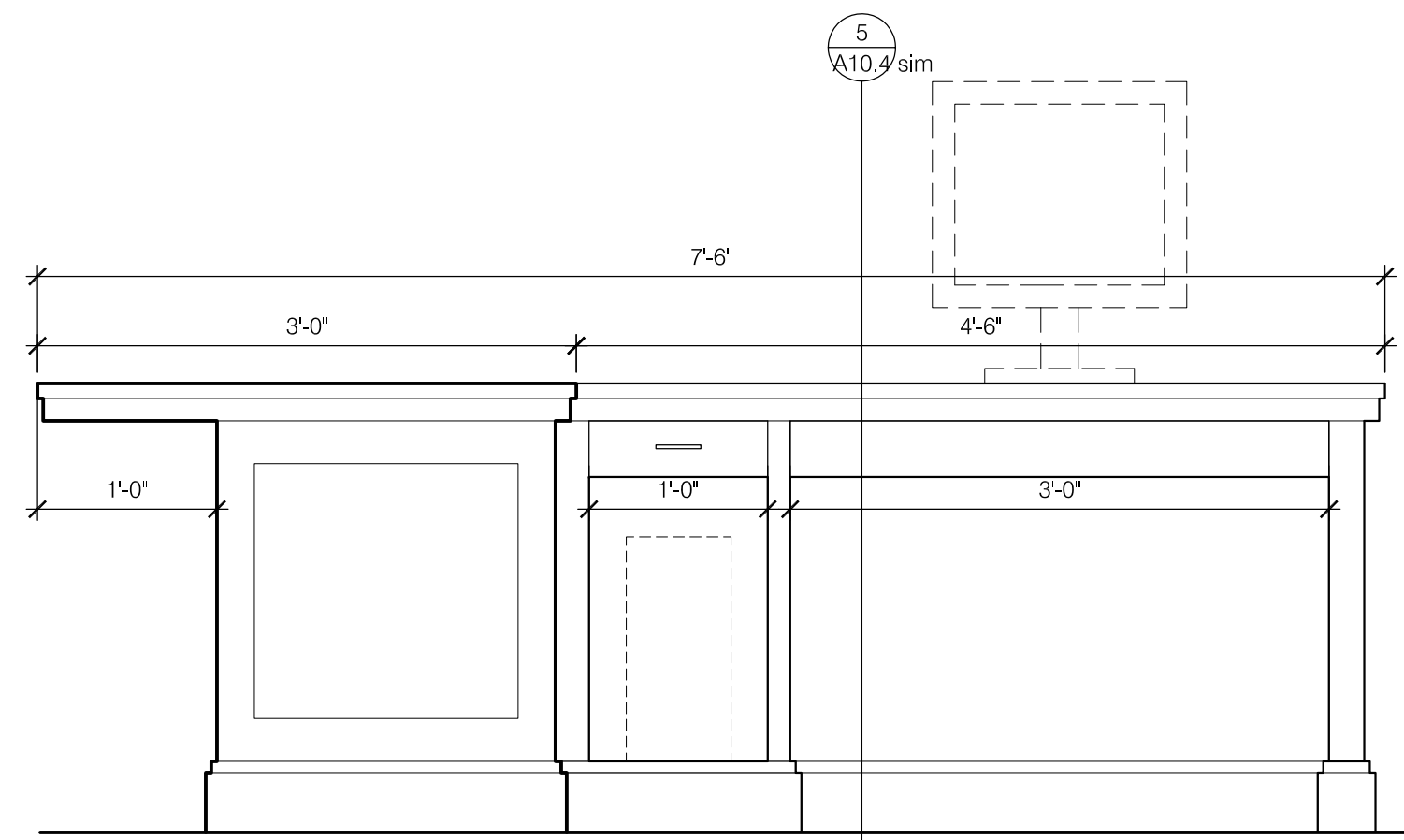
D



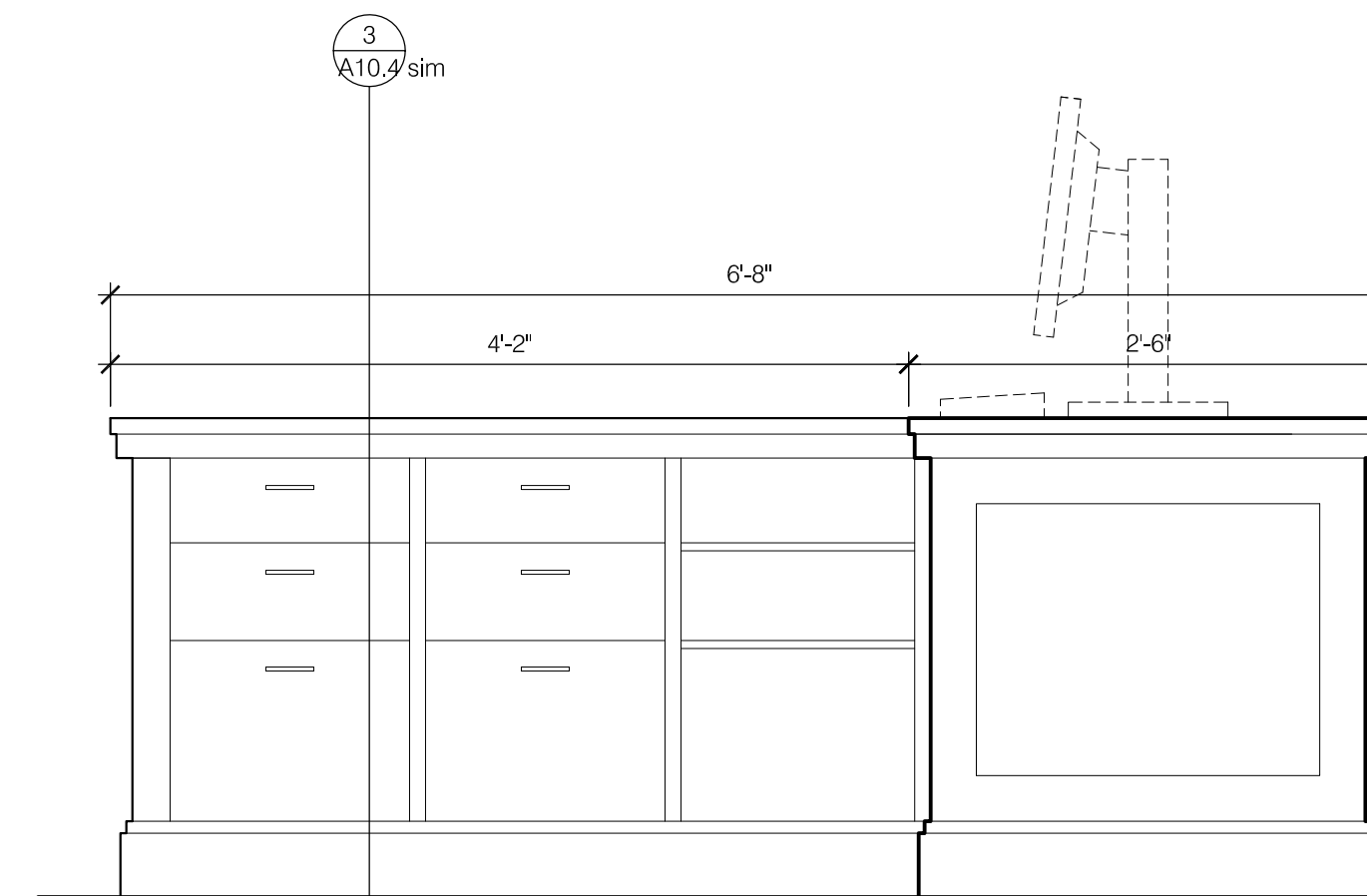
A
X RECEPTION DESK @ READING ROOM #104
 Scale: 3/4" = 1'-0"



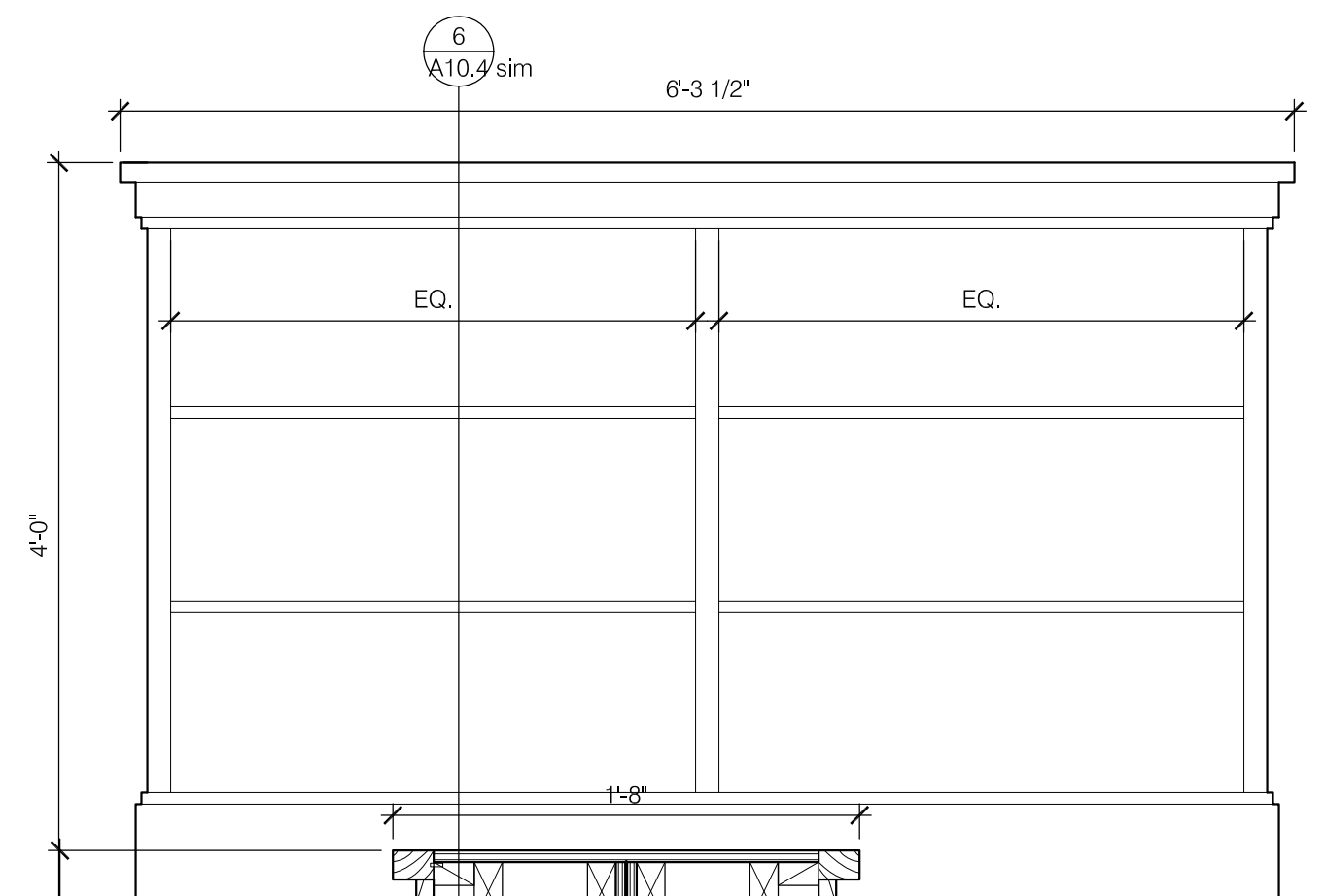
B



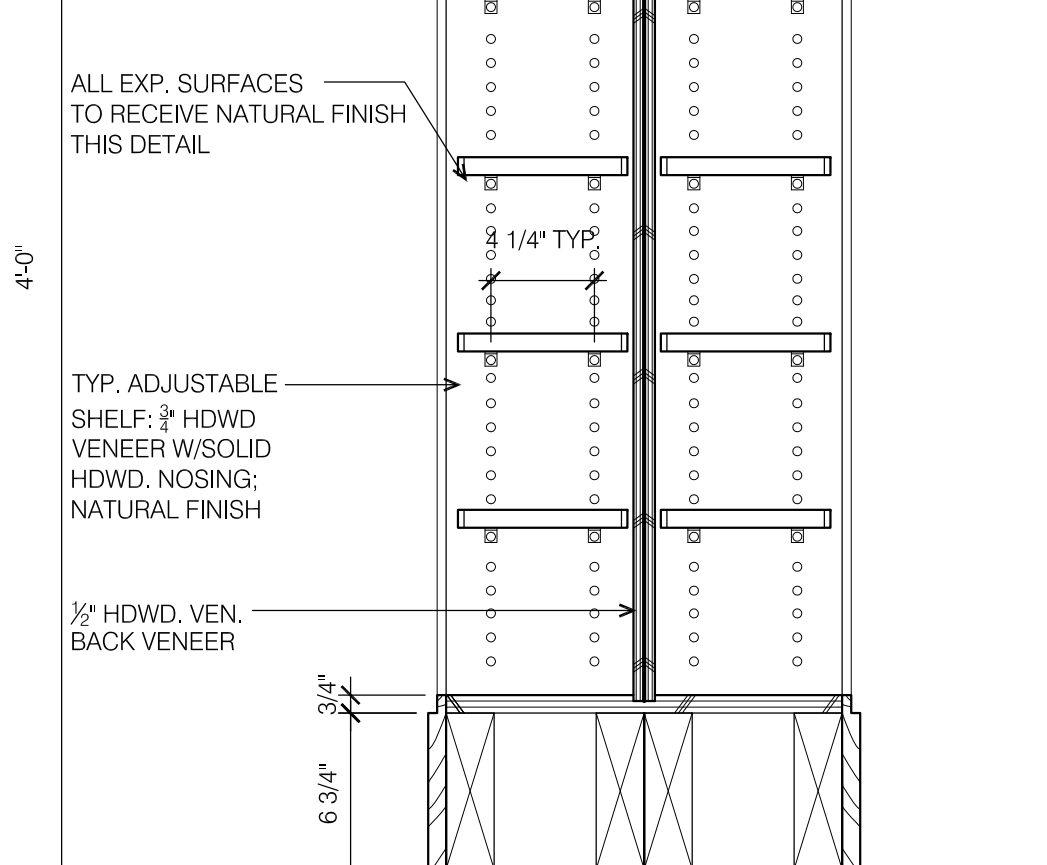
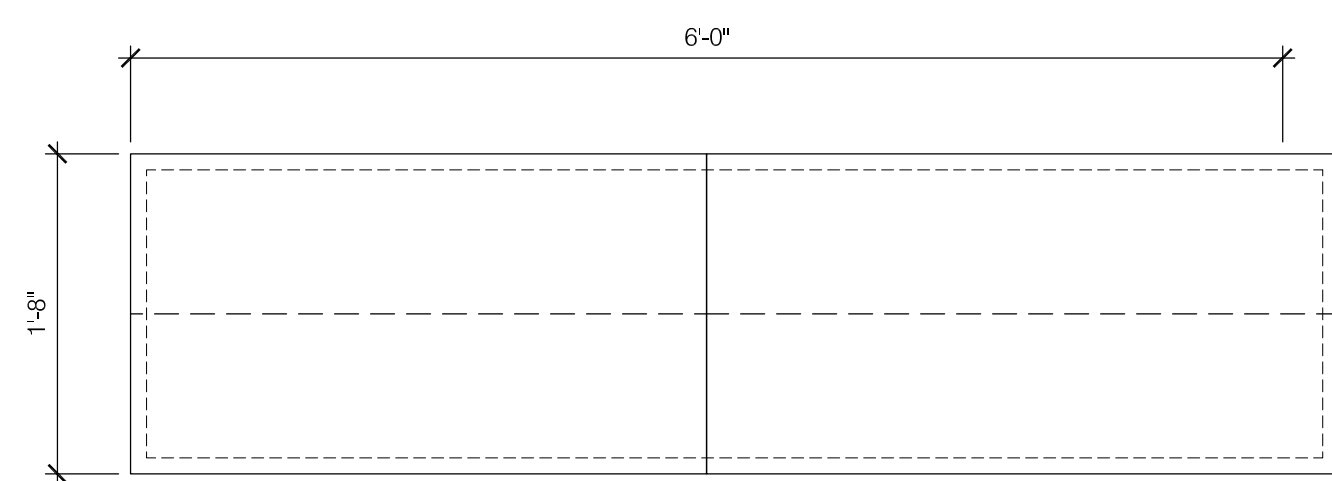
C



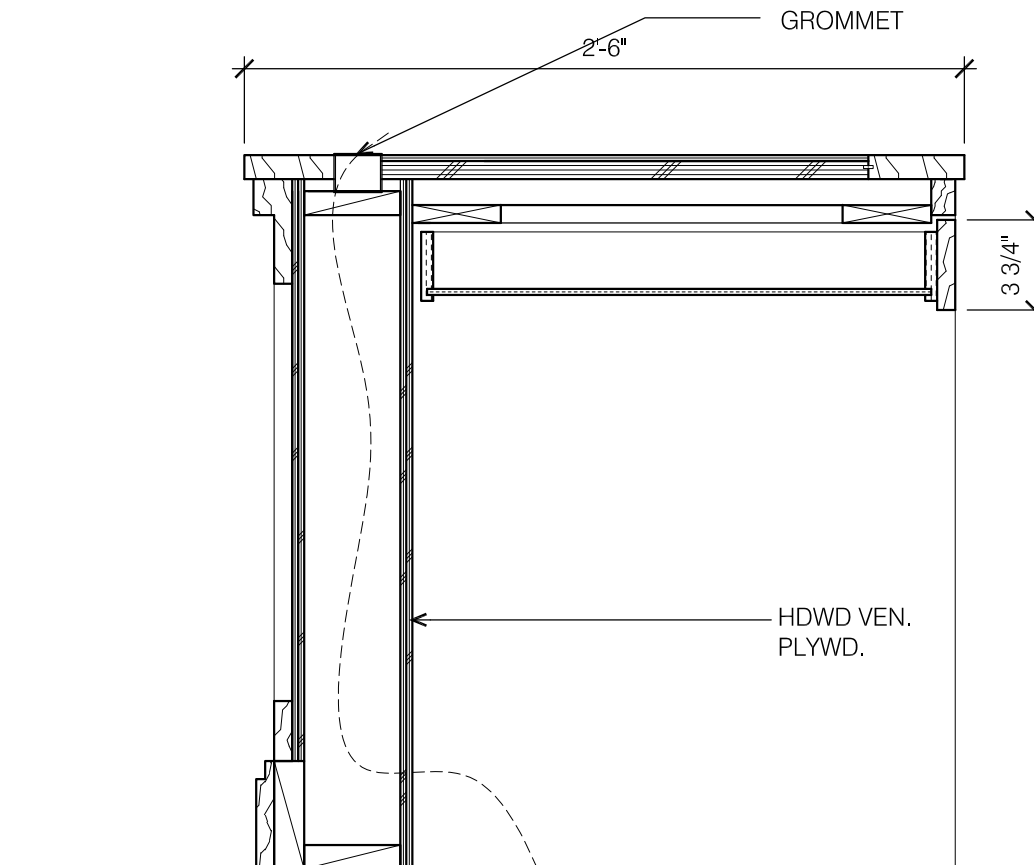
D



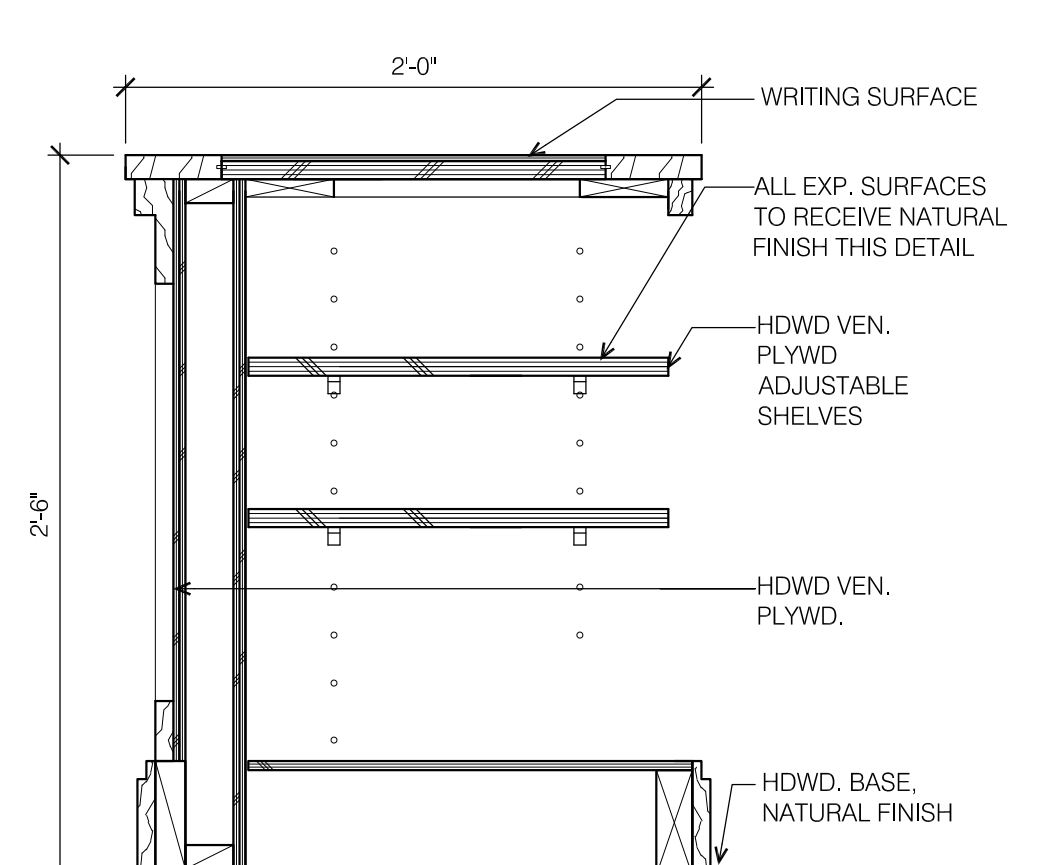
X MICROFILM SHELVES @ READING ROOM #104
 Scale: 3/4" = 1'-0"



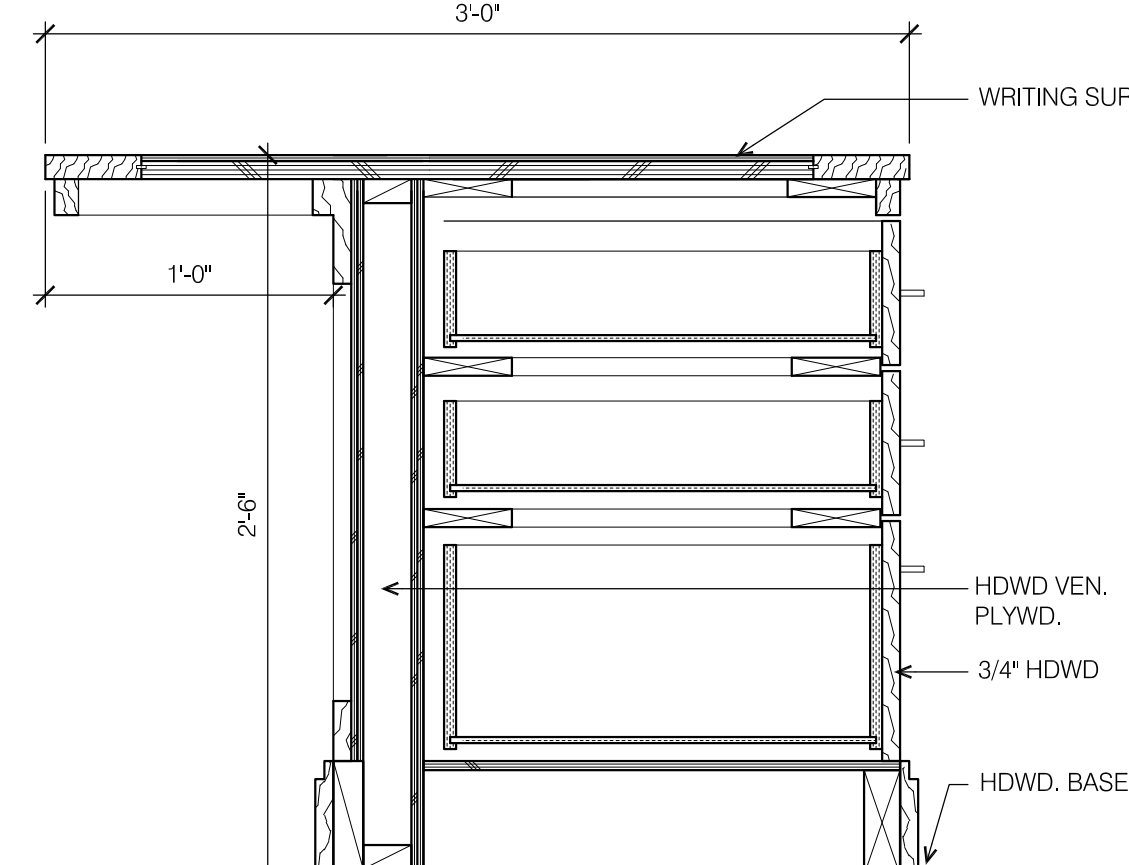
X NEW BOOKCASE
 Scale: 1 1/2" = 1'-0"



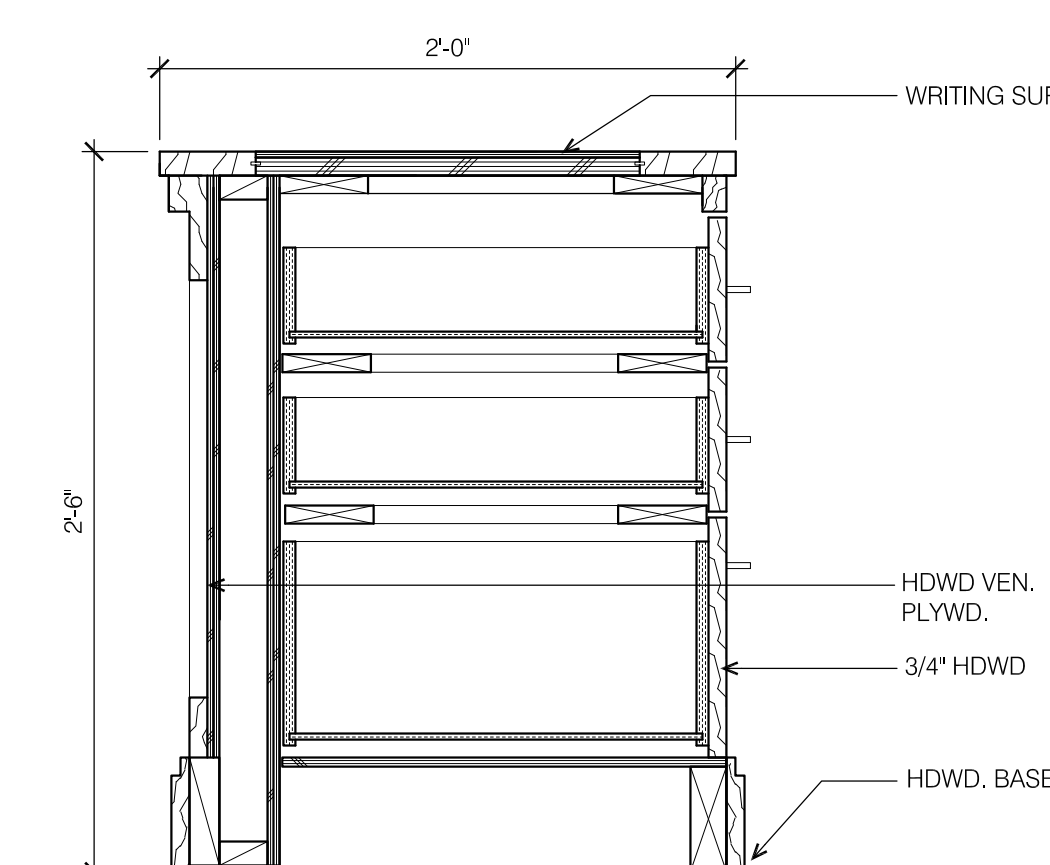
X RECEPTION DESK
 Scale: 1 1/2" = 1'-0"



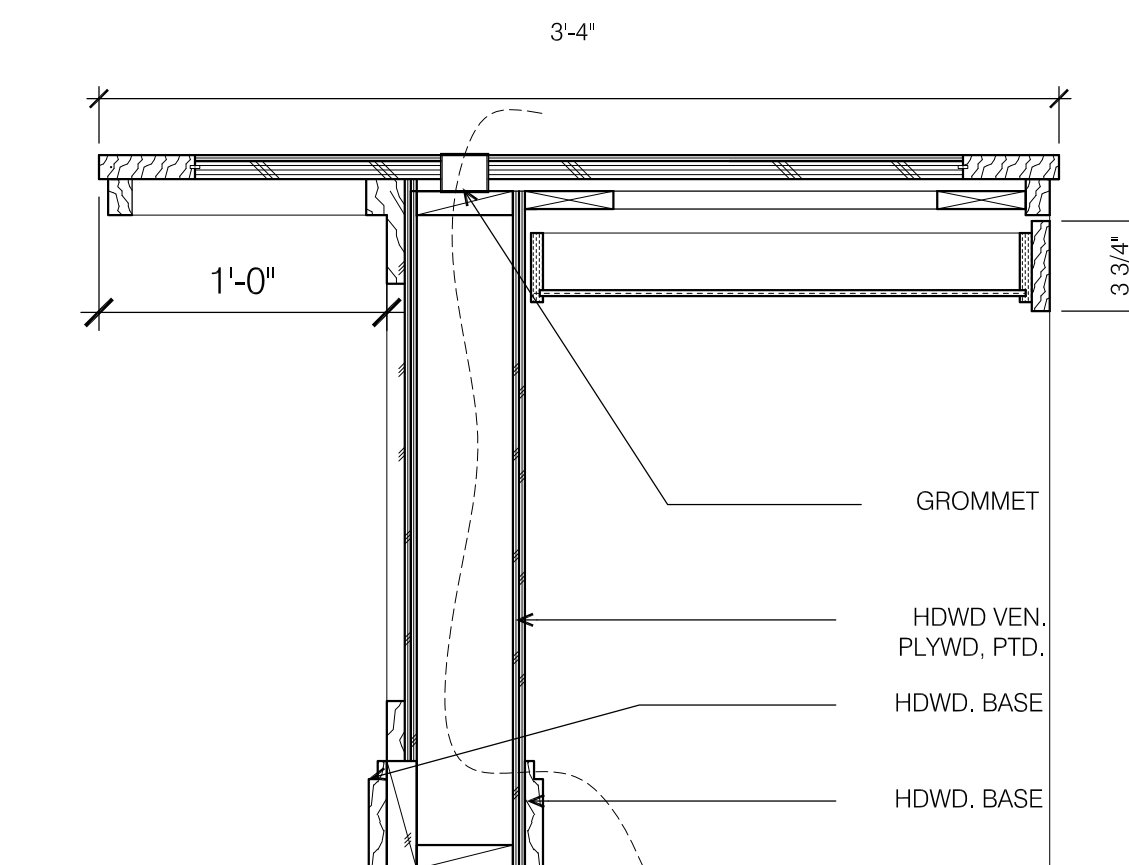
X DESK SHELVES
 Scale: 1 1/2" = 1'-0"



X DESK DRAWERS @ RECEPTION DESK
 Scale: 1 1/2" = 1'-0"



X DESK DRAWERS
 Scale: 1 1/2" = 1'-0"



X REFERENCE DESK
 Scale: 1 1/2" = 1'-0"

CONSULTANTS

SCHWARTZ / SILVER ARCHITECTS INC.
 75 Kneeland Street
 Boston, Massachusetts 02111
 Telephone 617-542-6650
 Facsimile 617-951-0779

PROJECT

MAINE HISTORICAL SOCIETY
 489 CONGRESS ST.
 PORTLAND, MAINE

DATE REVISIONS

DATE	REVISIONS	Drawn By	Date	Reviewed By	Date	Approved By	Date
09/13/07	REVISION 01						

DRAWING TITLE

CASEWORK DETAILS

DRAWING NUMBER

A10.04

AS NOTED

Scale