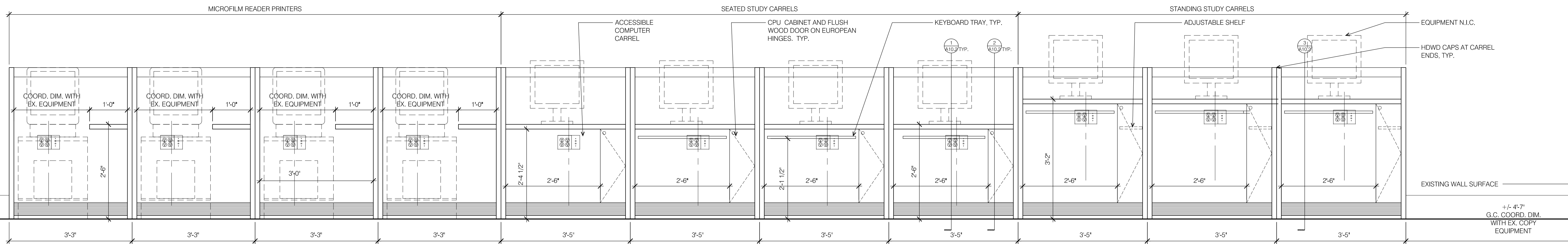
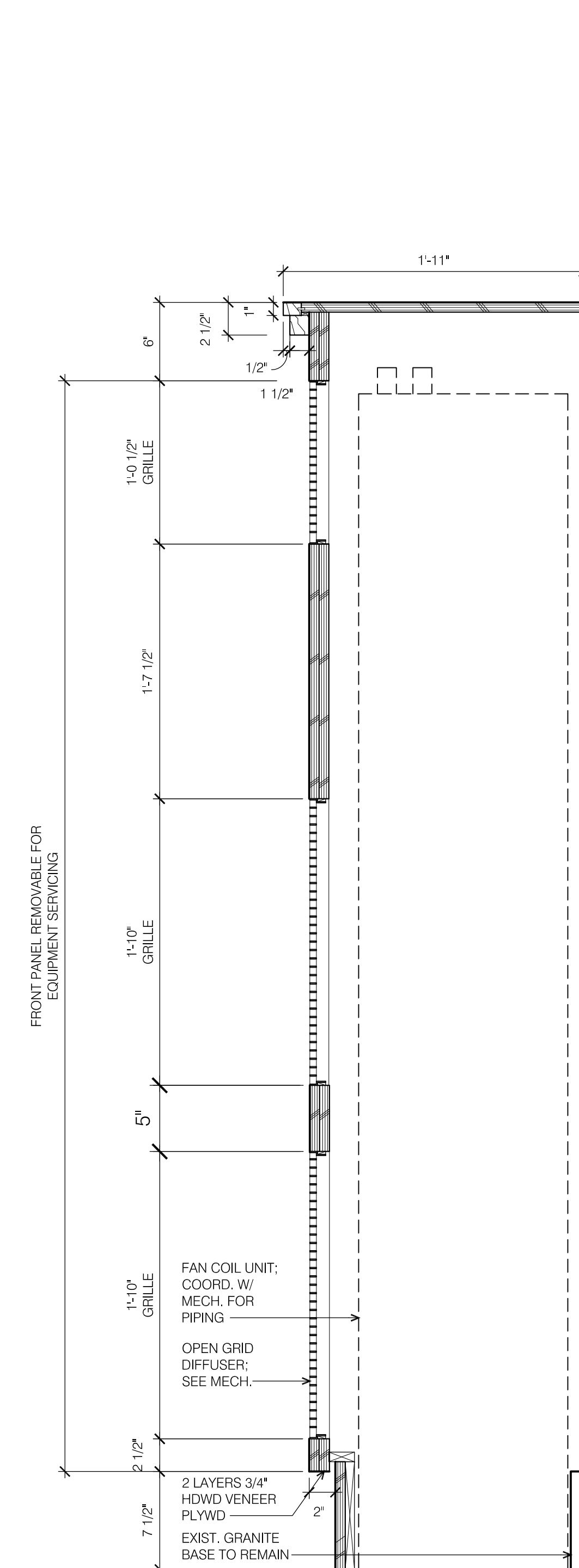


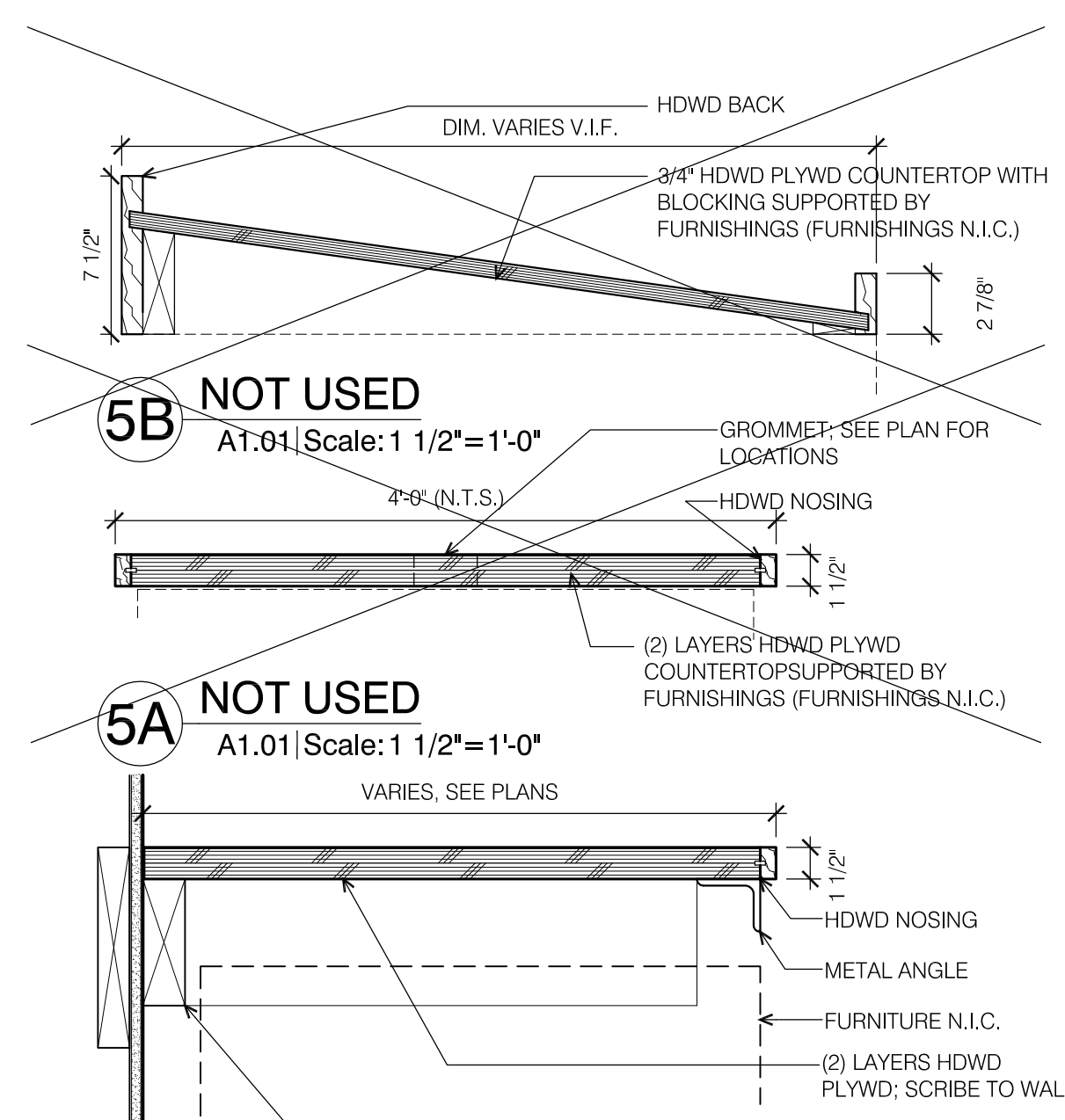
**10 PLAN @ READING ROOM - EAST**  
Scale: 3/4" = 1'-0"



**9 ELEVATION @ READING ROOM - EAST**  
Scale: 3/4" = 1'-0"

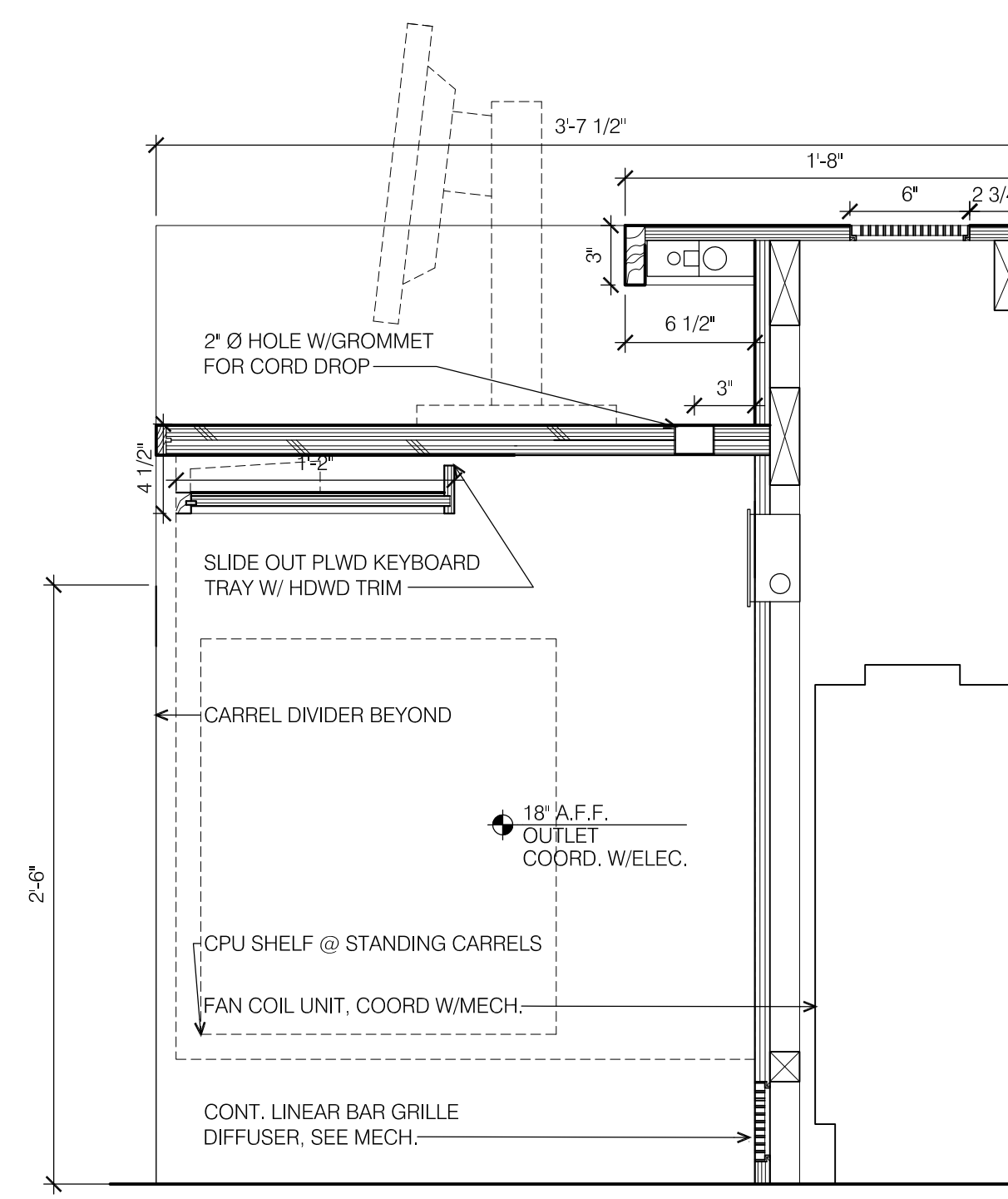


**8 SECTION @ FAN COIL ENCLOSURE**  
Scale: 1 1/2" = 1'-0"

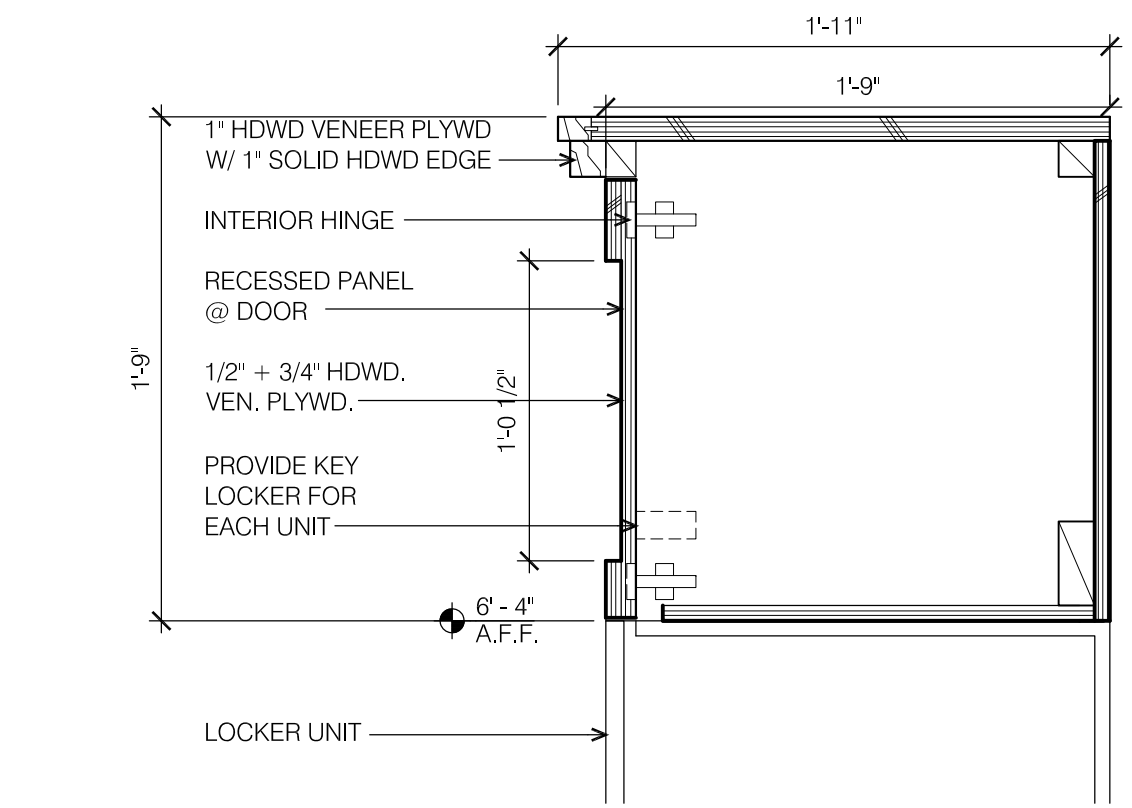


**5 WALL COUNTER**  
Scale: 1 1/2" = 1'-0"

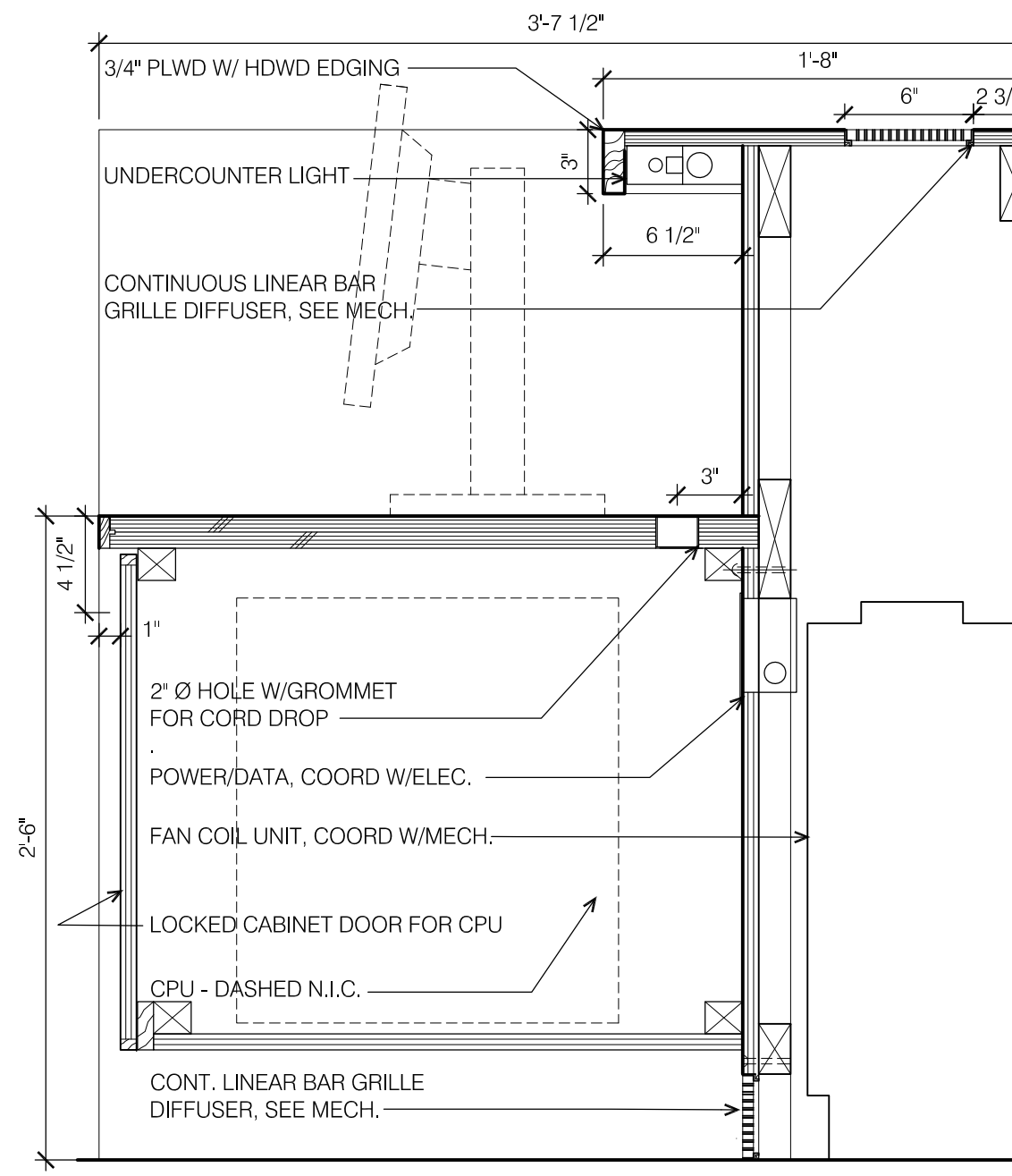
**4 NOT USED**  
Scale: 1 1/2" = 1'-0"



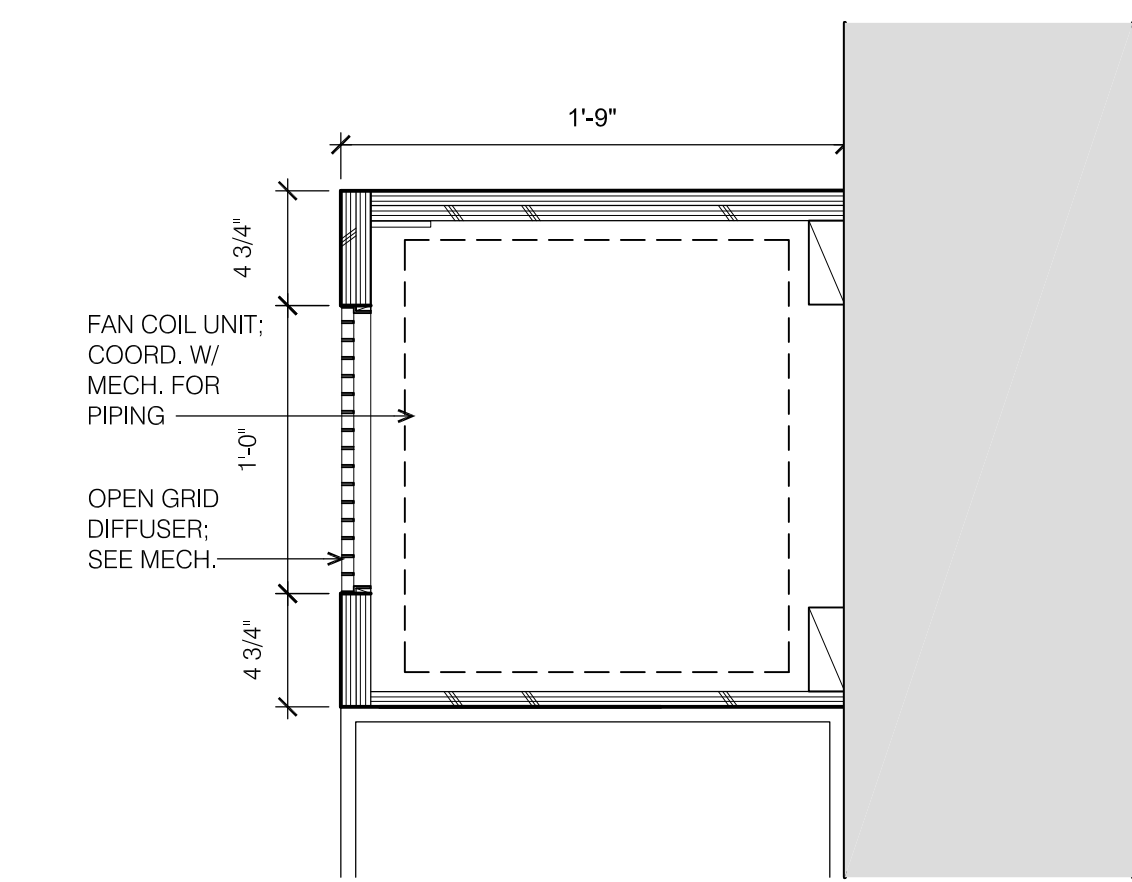
**3 SECTION @ STANDING CARREL**  
Scale: 1 1/2" = 1'-0"



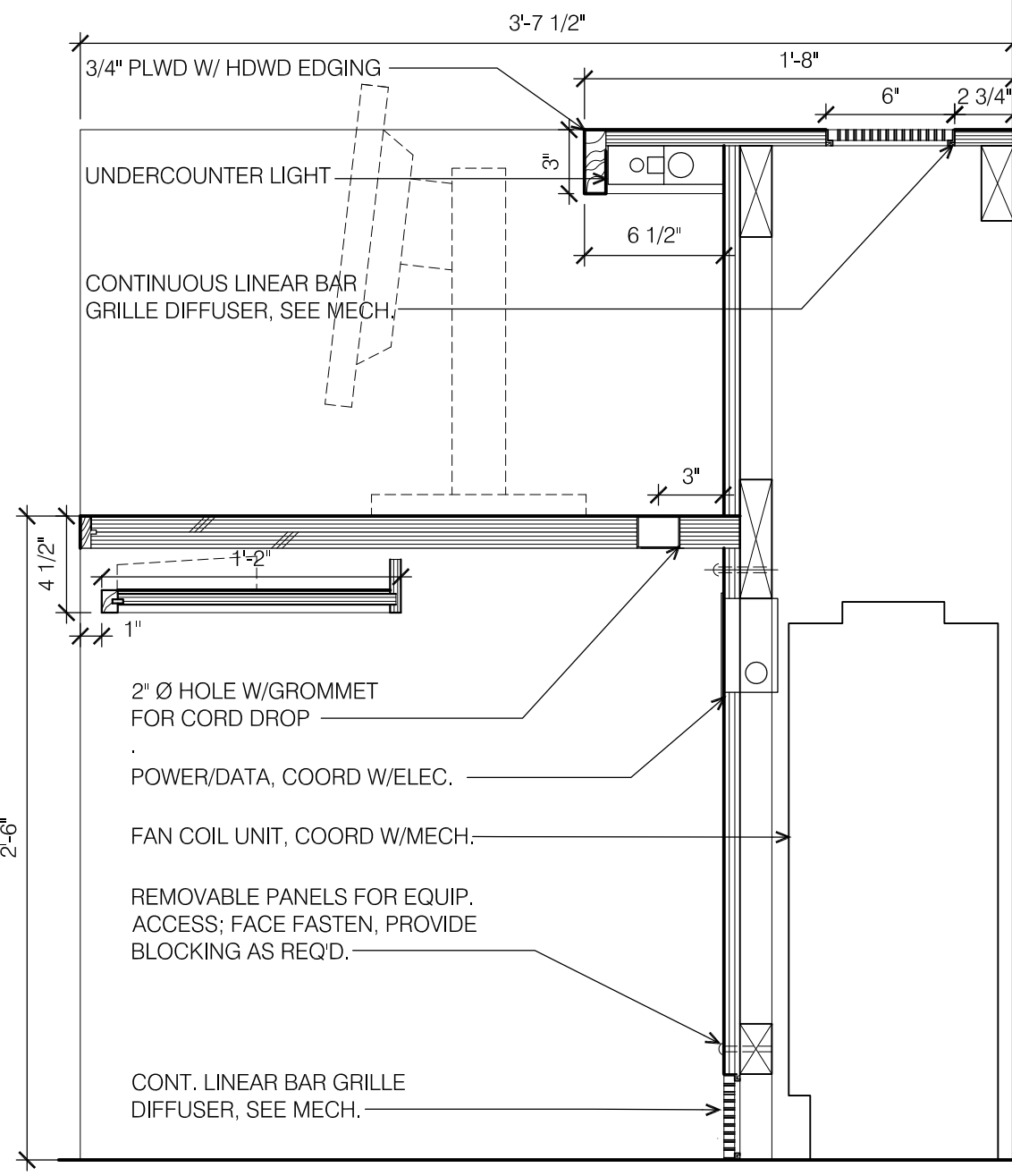
**7 SECT DETL @ STORAGE ABOVE LOCKERS**  
Scale: 1 1/2" = 1'-0"



**2 SECTION @ CARREL**  
Scale: 1 1/2" = 1'-0"



**6 PLAN DETAIL @ FAN COIL ENCLOSURE**  
Scale: 1 1/2" = 1'-0"



**1 SECTION @ CARREL**  
Scale: 1 1/2" = 1'-0"

CONSULTANTS

**SCHWARTZ / SILVER ARCHITECTS INC.**  
75 Kneeland Street  
Boston, Massachusetts 02111 Telephone 617/542-6650  
Facsimile 617/951-0779

PROJECT  
**MAINE HISTORICAL SOCIETY**  
489 CONGRESS ST.  
PORTLAND, MAINE

REVISION	DATE	DESCRIPTION	Drawn By	Date	Reviewed By	Date	Approved By	Date
REVISION 01	09/13/07							

DRAWING TITLE  
**CASEWORK DETAILS**

DRAWING NUMBER  
**A10.02**