

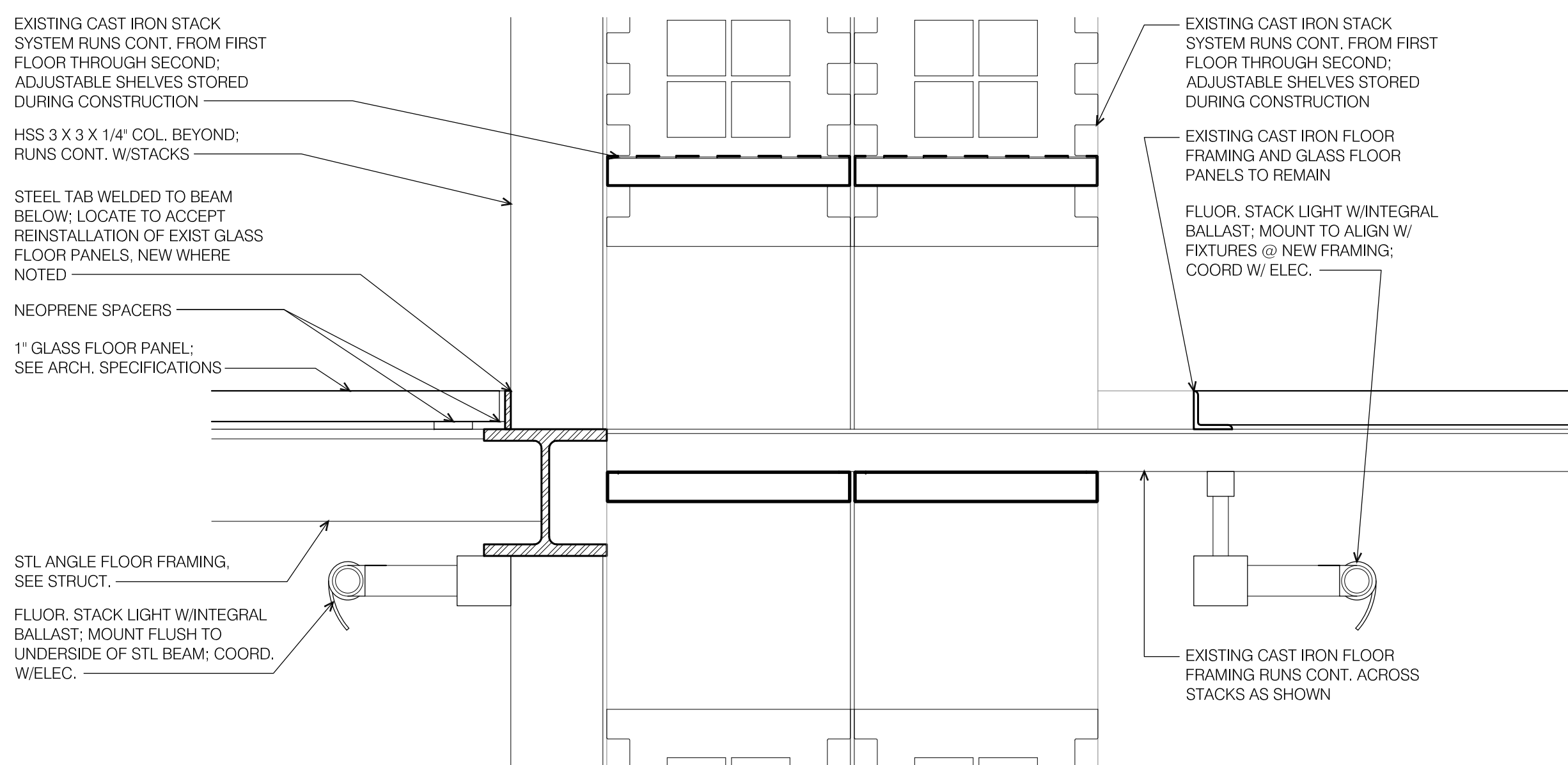
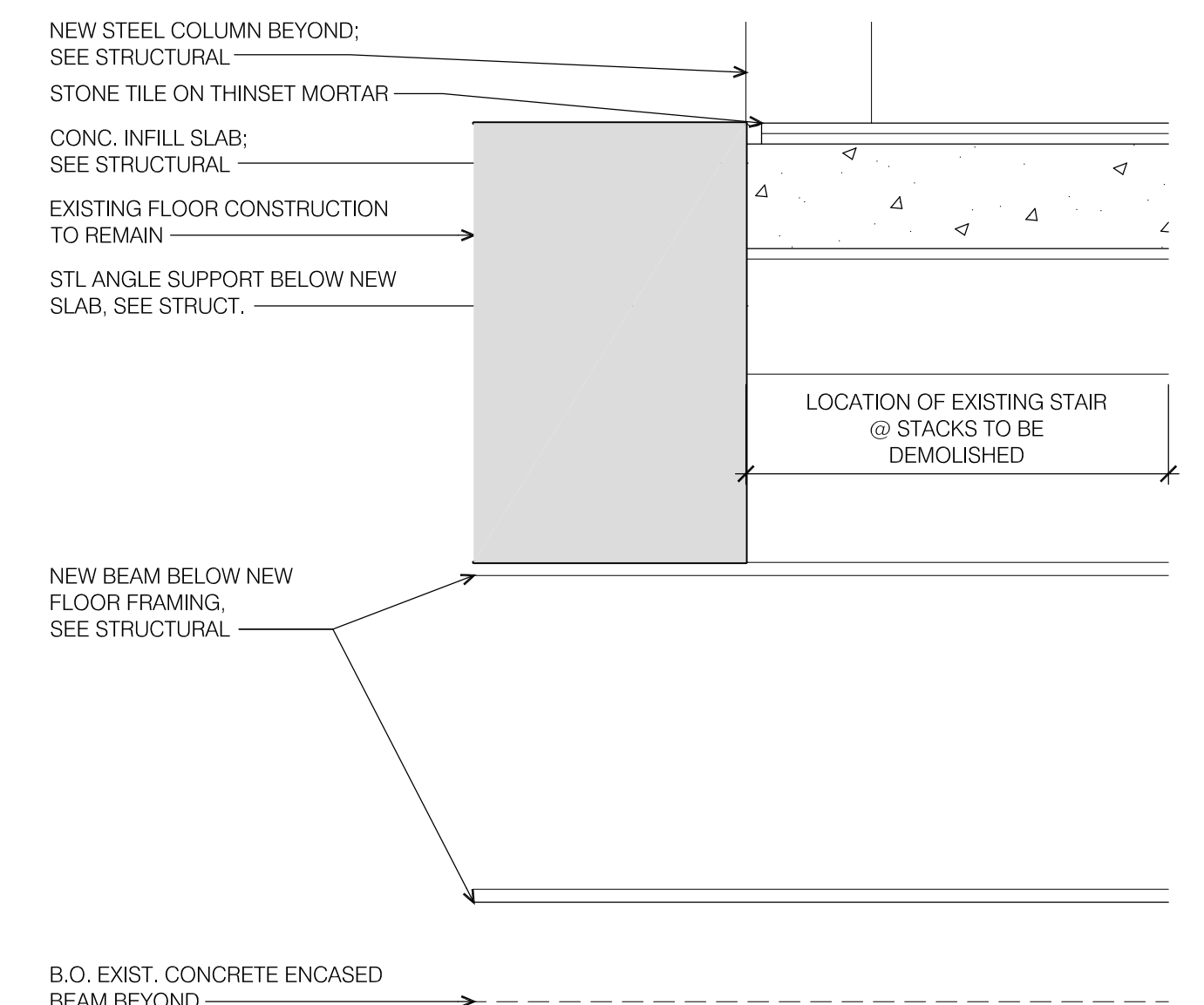
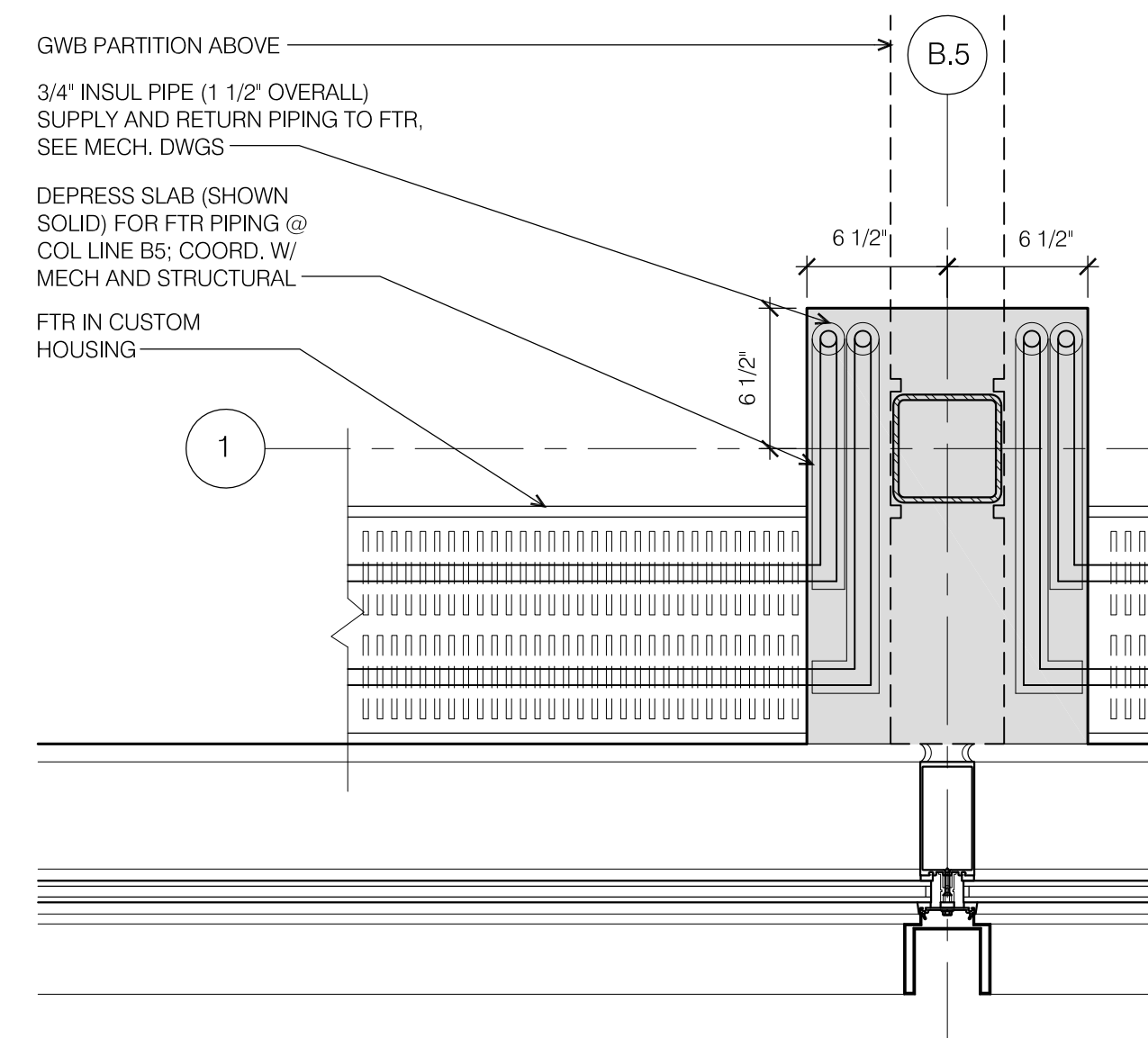
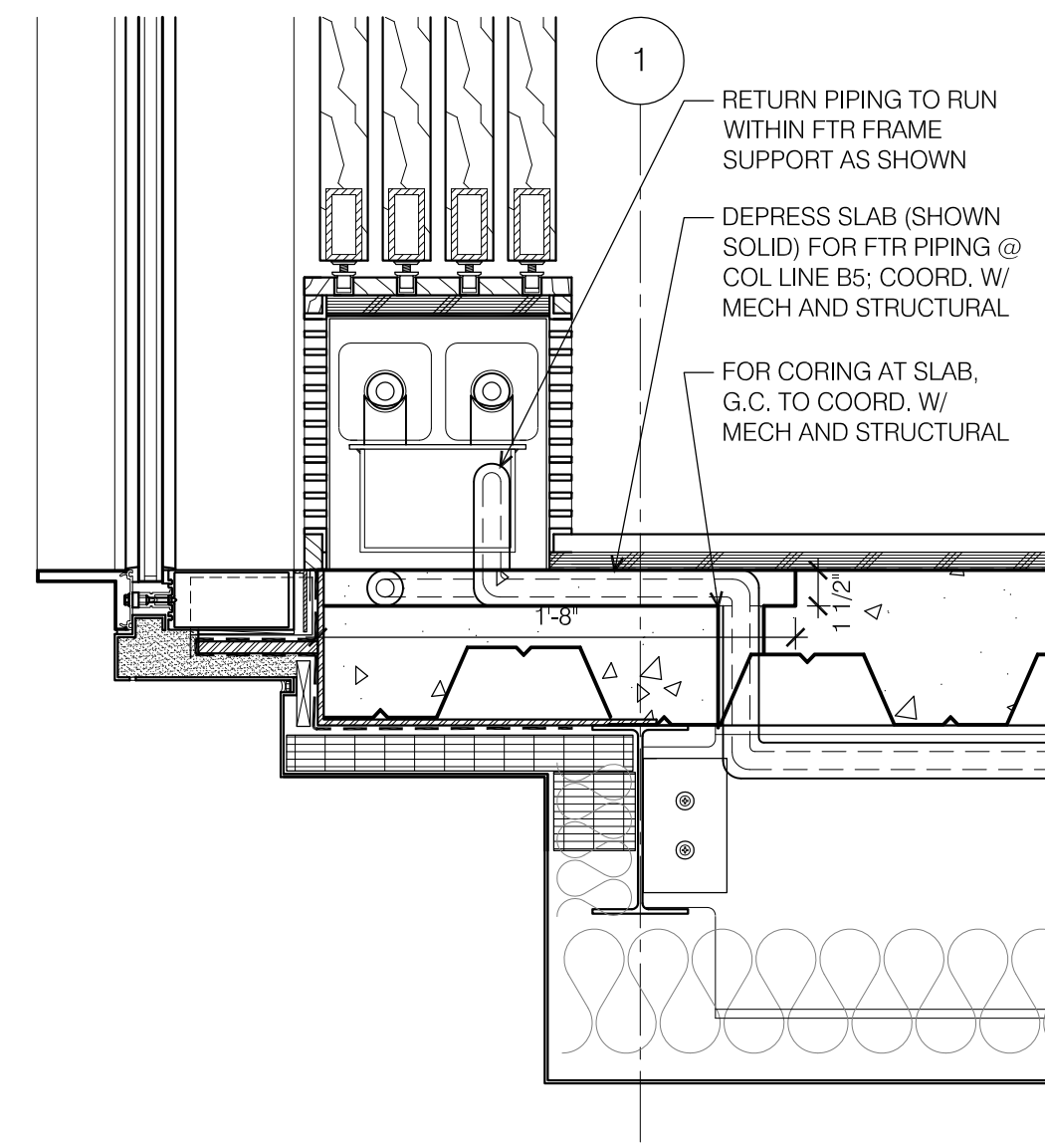
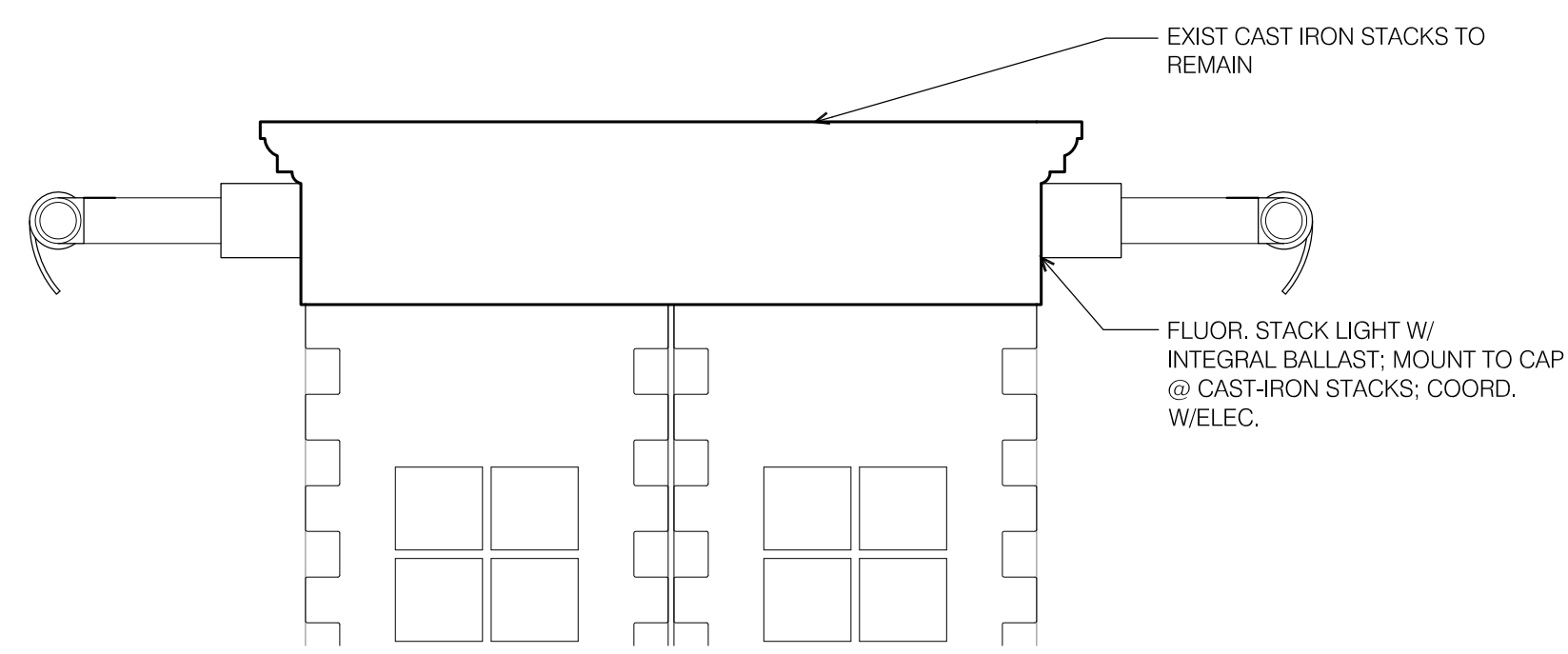
20 NOT USED
Scale: 1 1/2" = 1'-0"

16 NOT USED
Scale: 1 1/2" = 1'-0"

12 NOT USED
Scale: 1 1/2" = 1'-0"

8 NOT USED
Scale: 1 1/2" = 1'-0"

4 NOT USED
Scale: 1 1/2" = 1'-0"



11 SECTION DETL @ SLAB DEPRESSION
Scale: 1" = 1'-0"

7 PLAN DETL @ SLAB DEPRESSION
Scale: 1" = 1'-0"

3 SLAB INFILL @ STACKS
Scale: 3" = 1'-0"

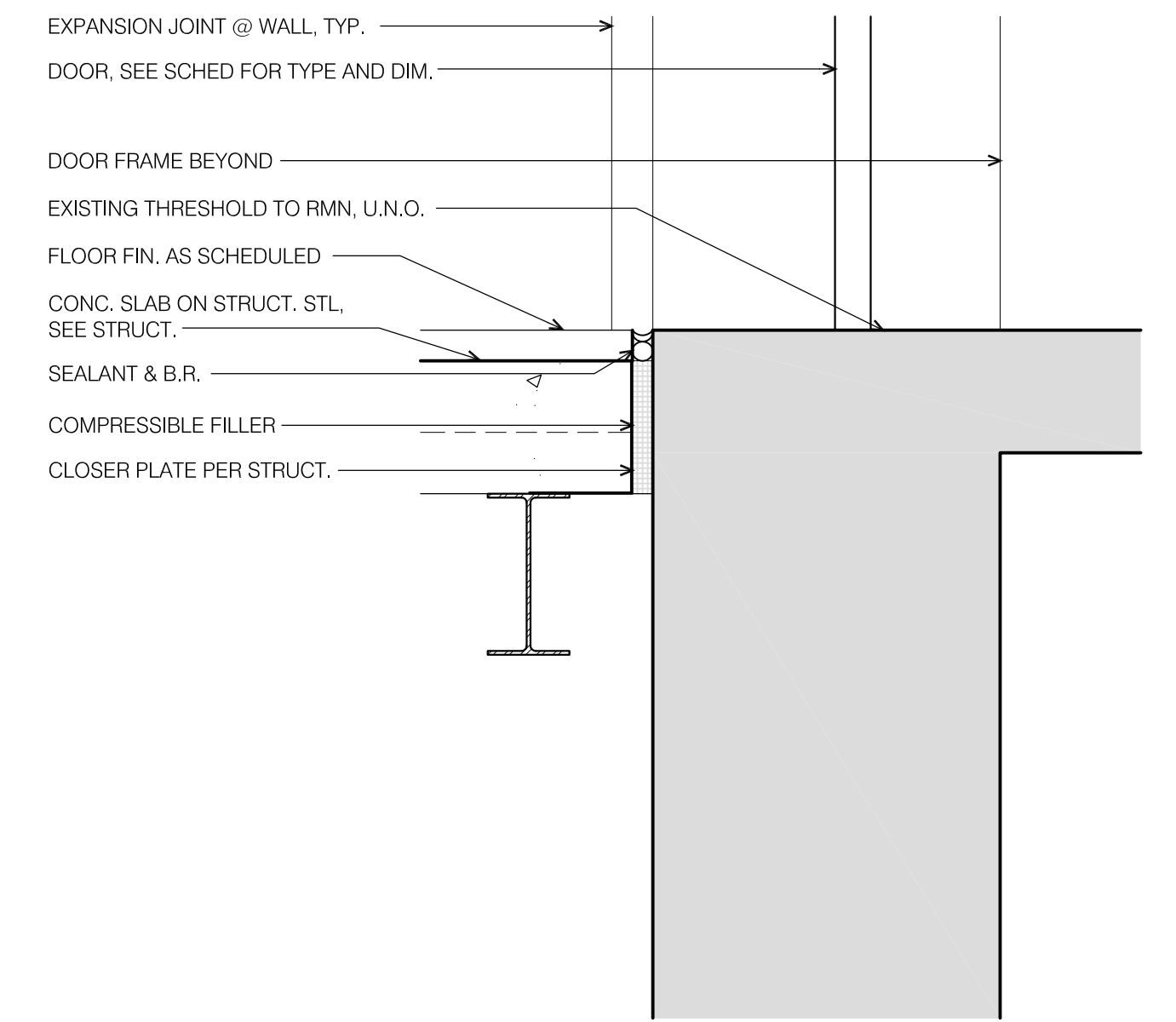
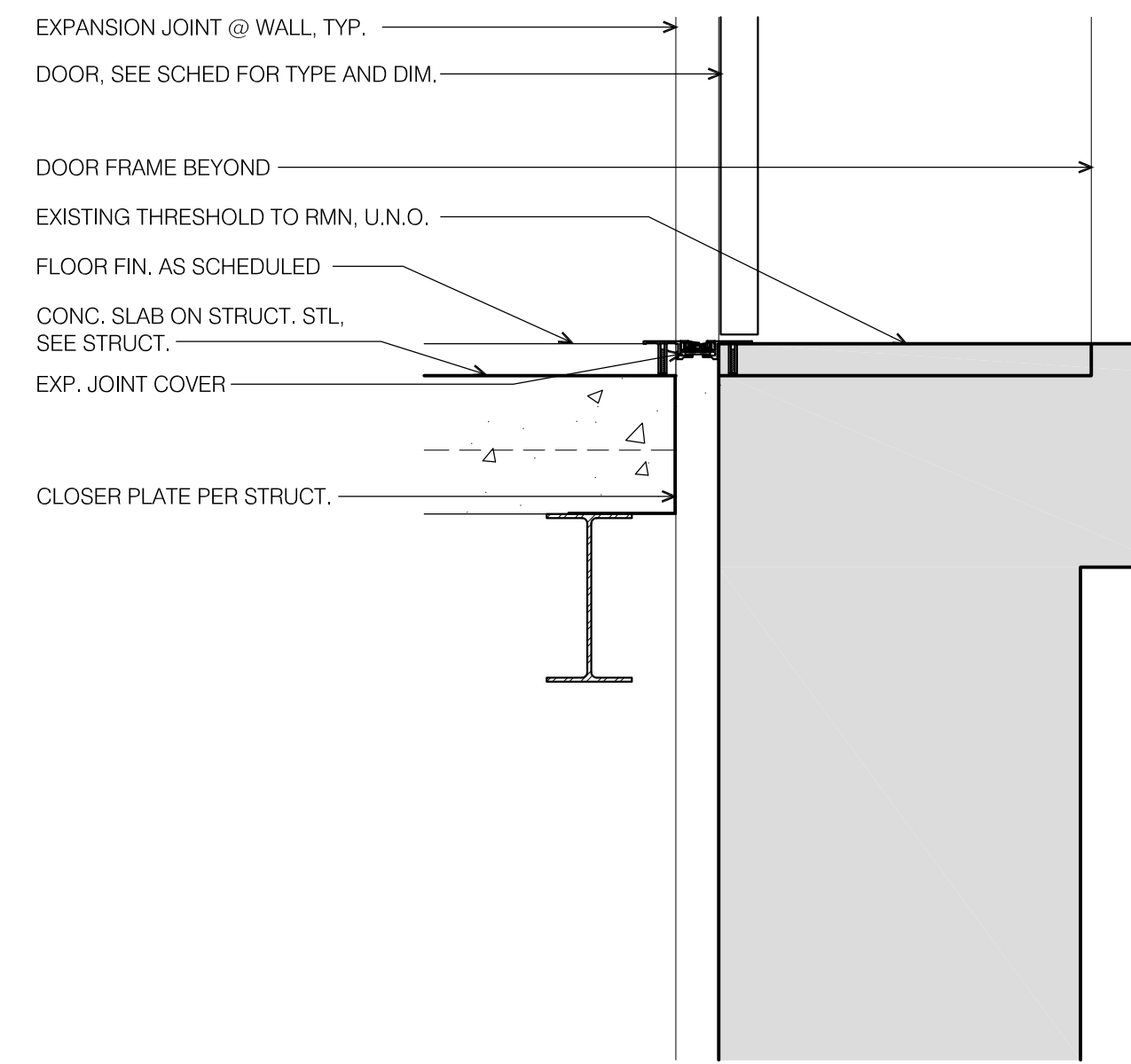
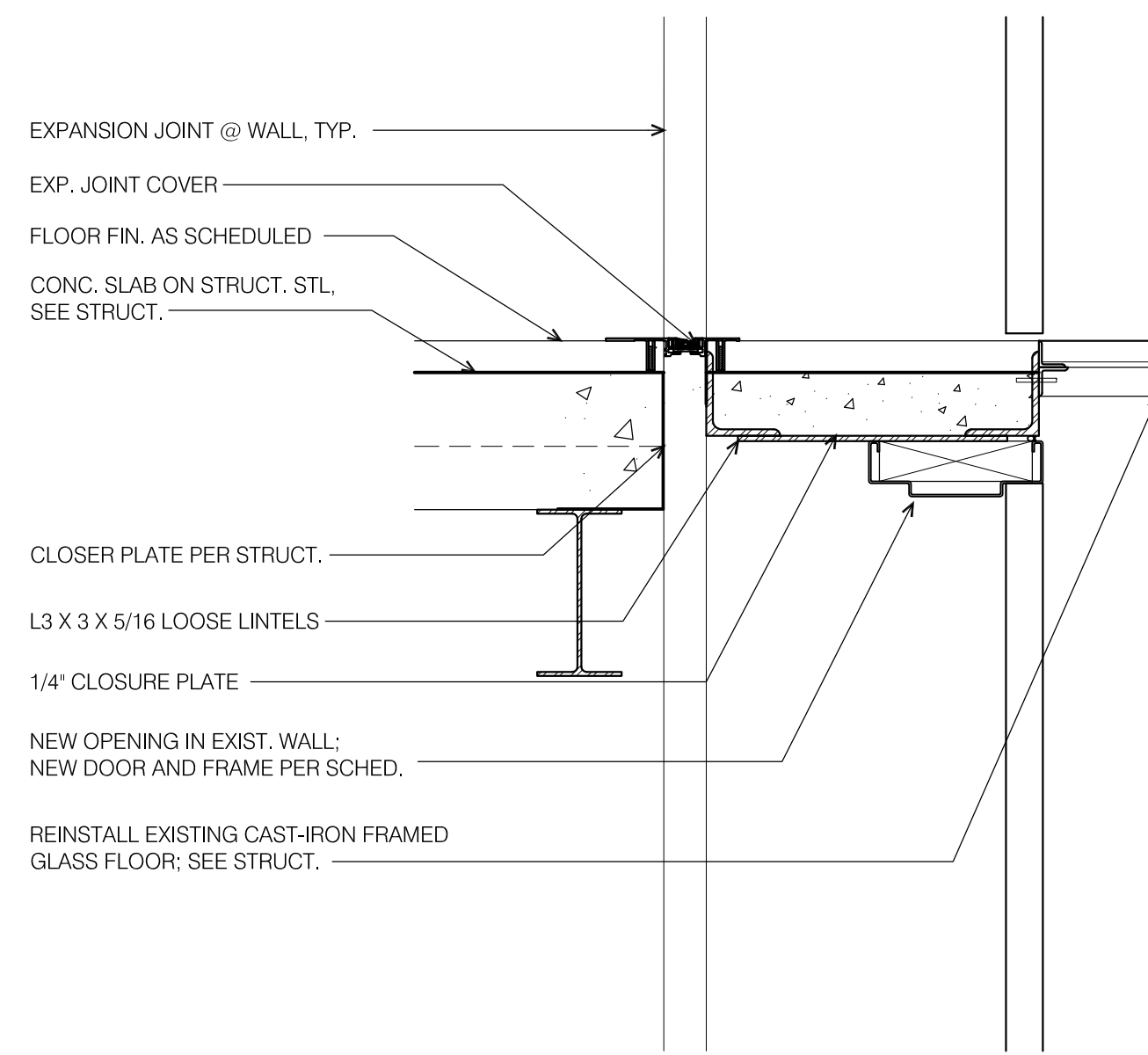
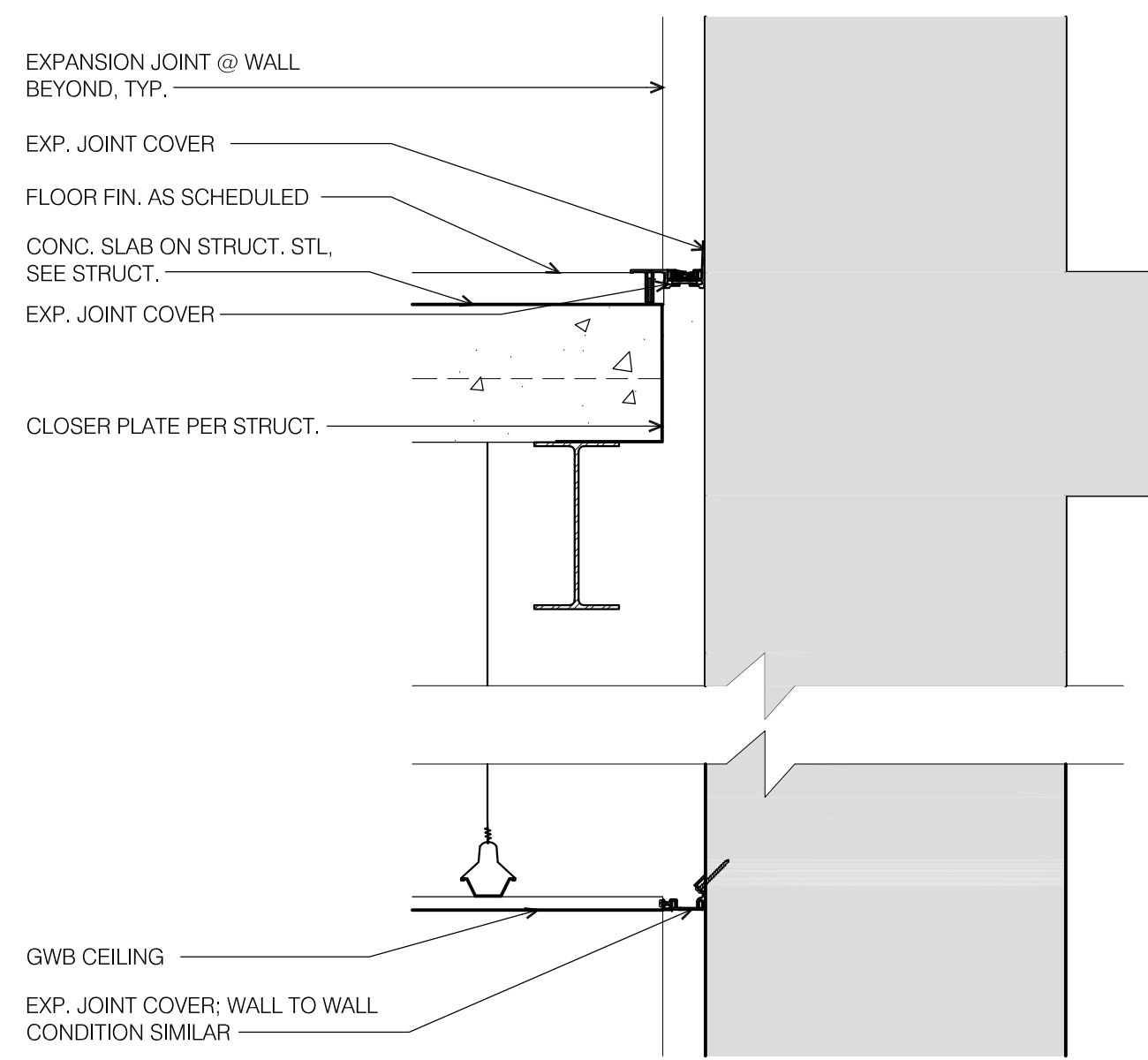
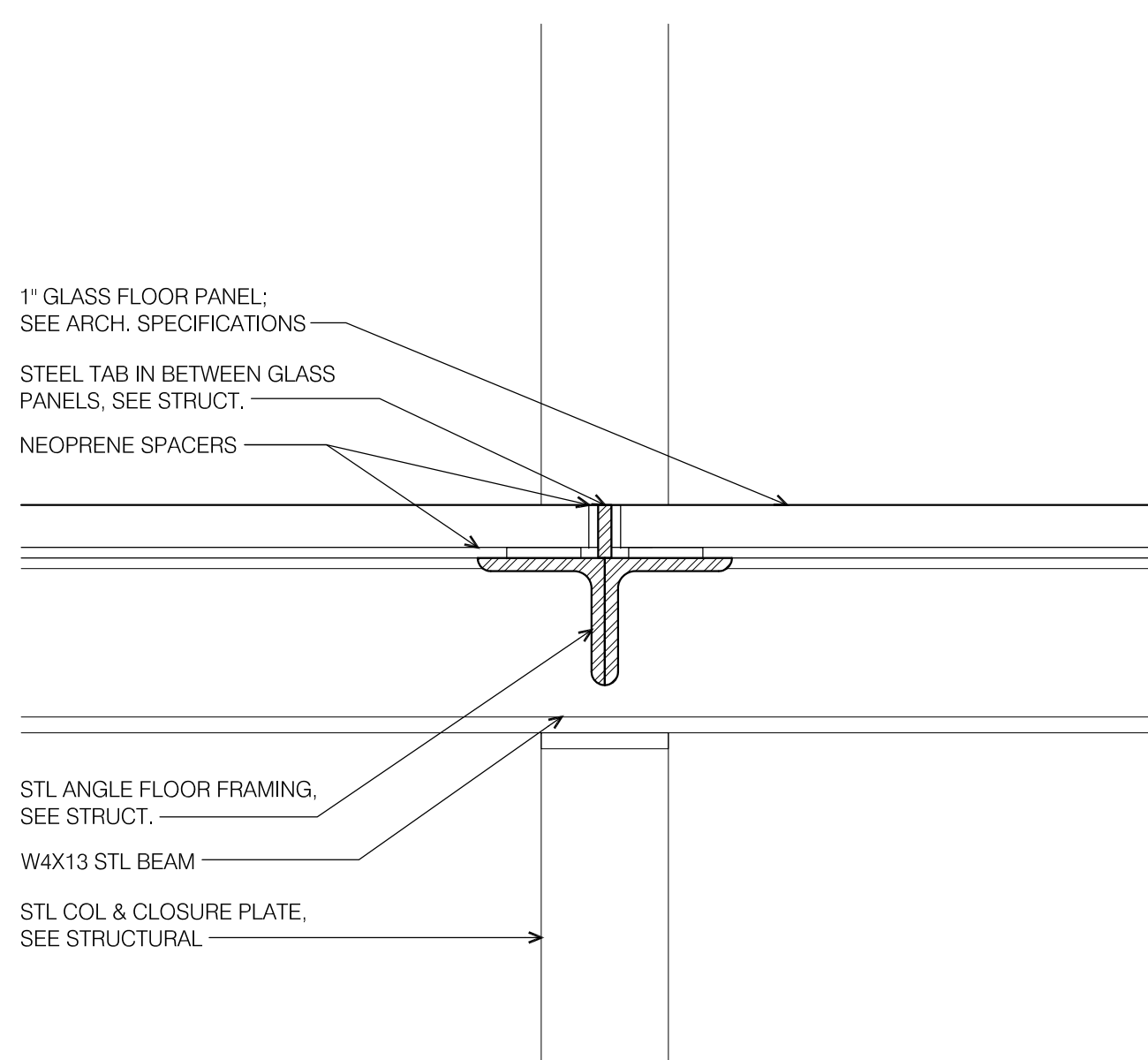
18 LIGHTING @ CAST IRON STACKS - NEW
Scale: 3" = 1'-0"

14 LIGHTING @ CAST IRON STACKS - EXST
Scale: 3" = 1'-0"

10 SECTION @ DOOR HEAD M01
Scale: 1 1/2" = 1'-0"

6 SECTION @ DOOR HEAD 107
Scale: 1 1/2" = 1'-0"

2 SECTION @ DOOR HEAD G05.2
Scale: 1 1/2" = 1'-0"



17 STL & GLASS PANEL @ MEZZ.
Scale: 3" = 1'-0"

13 SECTION @ EXP JT: FLOOR-WALL-CLG
Scale: 1 1/2" = 1'-0"

9 SECTION @ EXP JT: MEZZ. FLOOR, SILL M01
Scale: 1 1/2" = 1'-0"

5 SECTION @ EXP JT: 1ST FLR DOOR 107
Scale: 1 1/2" = 1'-0"

1 SECTION @ GARDEN LEVEL, DOOR G05.2
Scale: 1 1/2" = 1'-0"

| REVISION 01 | Date | Drawn By | Reviewed By | Approved By |
|-------------|------|----------|-------------|-------------|
| | | | | |
| | | | | |
| | | | | |
| | | | | |