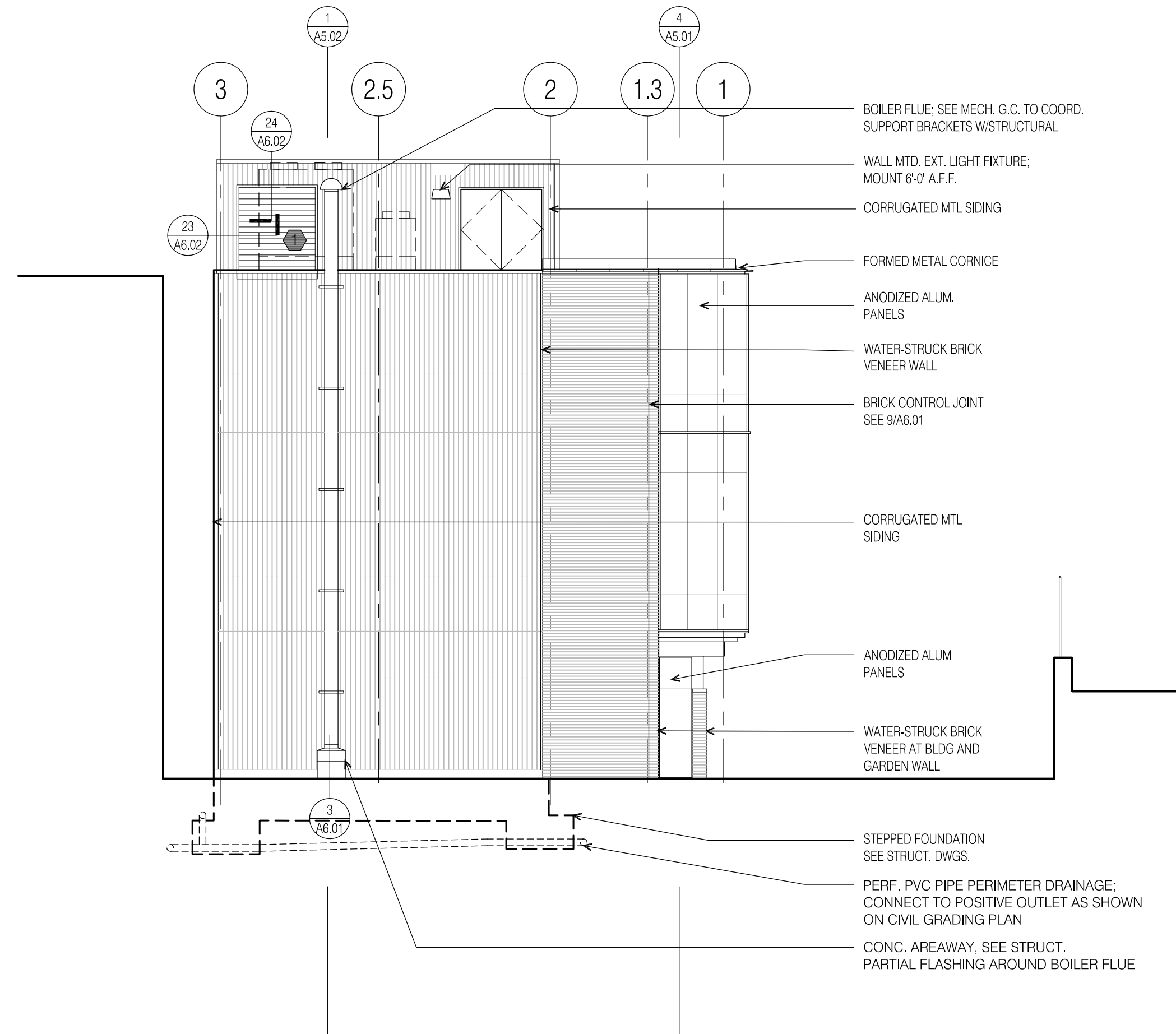
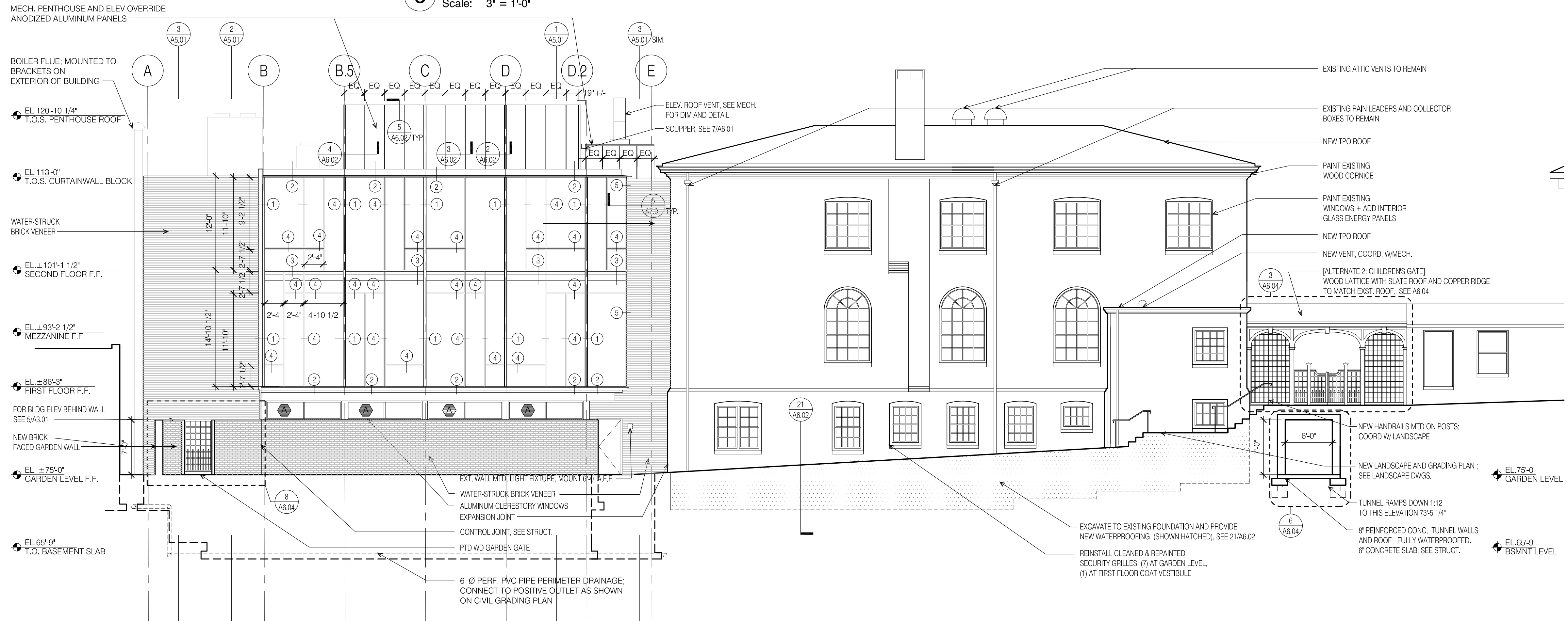


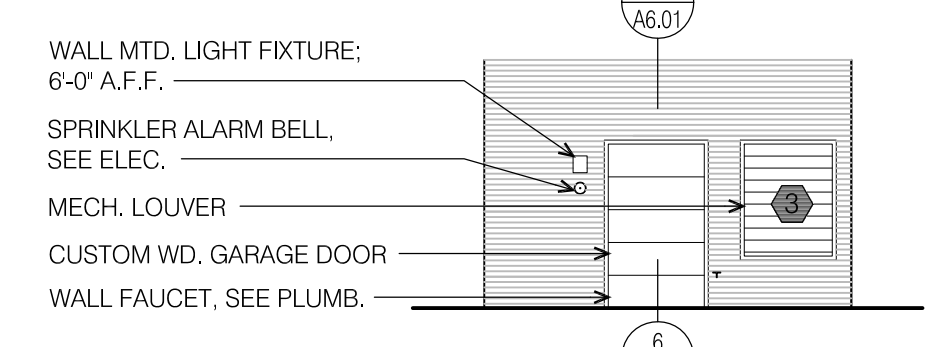
**6 CURTAINWALL CAP TYPES**  
Scale: 3" = 1'-0"



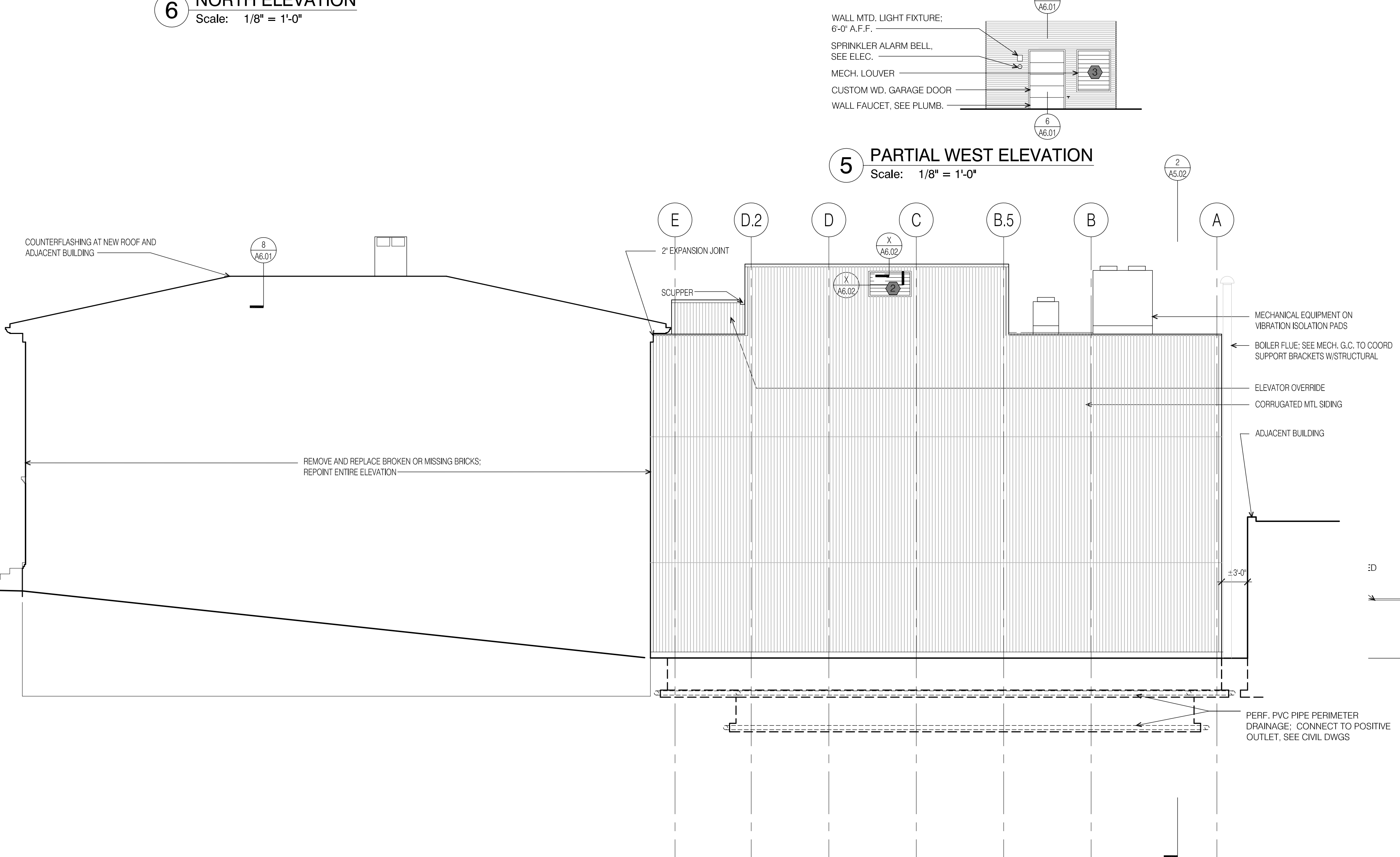
**6 NORTH ELEVATION**  
Scale: 1/8" = 1'-0"



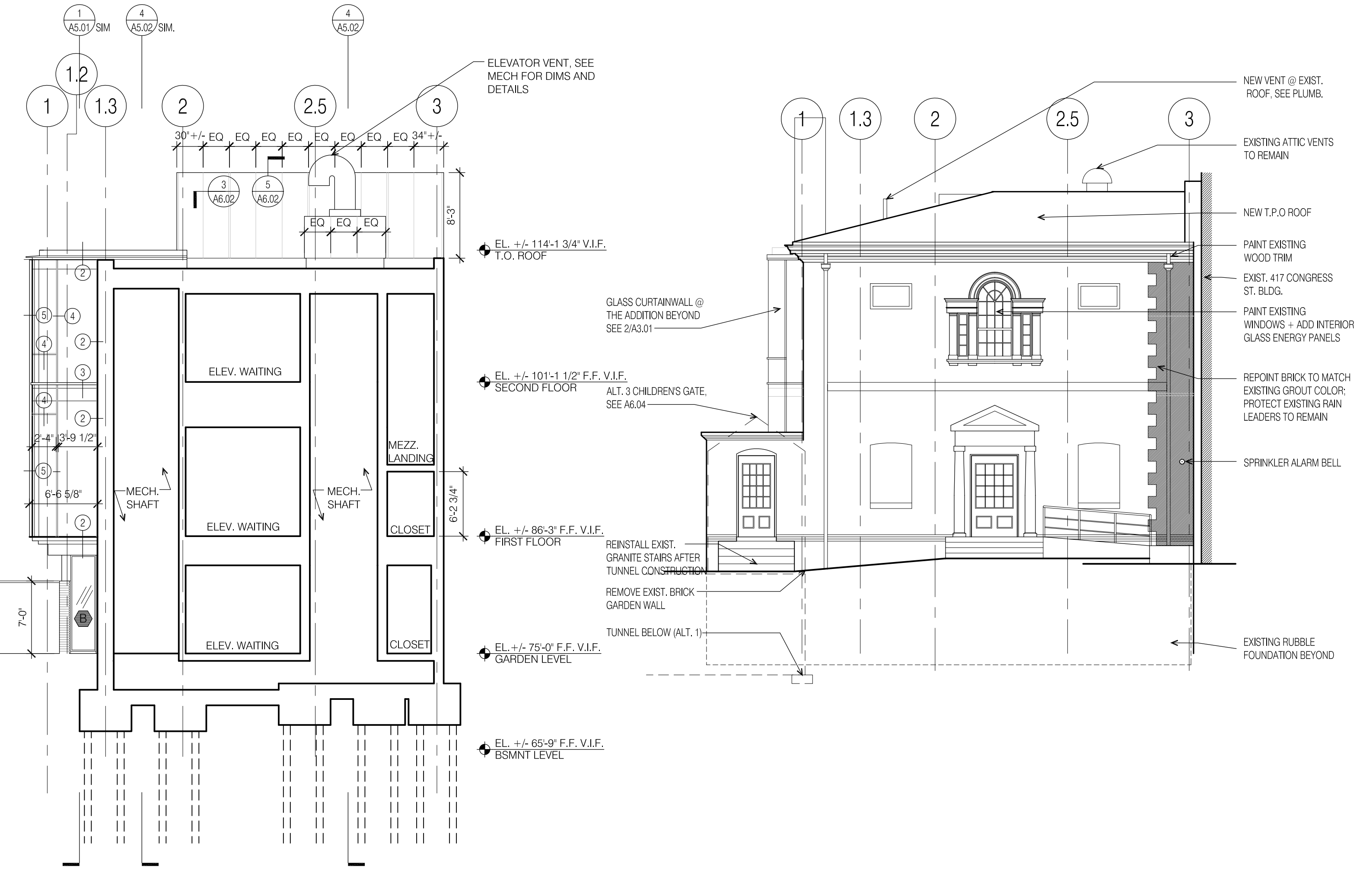
**4 WEST ELEVATION**  
Scale: 1/8" = 1'-0"



**5 PARTIAL WEST ELEVATION**  
Scale: 1/8" = 1'-0"



**3 EAST ELEVATION**  
Scale: 1/8" = 1'-0"



**2 SOUTH ELEVATION - PARTIAL**  
Scale: 1/8" = 1'-0"

**1 SOUTH ELEVATION**  
Scale: 1/8" = 1'-0"

DRAWING NUMBER: BUILDING ELEVATIONS; DATE: 09/13/07; REVISIONS: REVISION 01; CONSULTANTS: SCHWARTZ / SILVER ARCHITECTS INC.; PROJECT: MAINE HISTORICAL SOCIETY 489 CONGRESS ST. PORTLAND, MAINE; SCALE: 1/8" = 1'-0"; CONSULTANTS: Telephone 617/542-6650, Fax 617/951-0779

DATE	REVISIONS	DESCRIPTION
09/13/07	REVISION 01	

Drawn By	Date	Reviewed By	Date	Approved By	Date

DRAWING TITLE: BUILDING ELEVATIONS  
Scale: 1/8" = 1'-0"

DRAWING NUMBER: A3.01