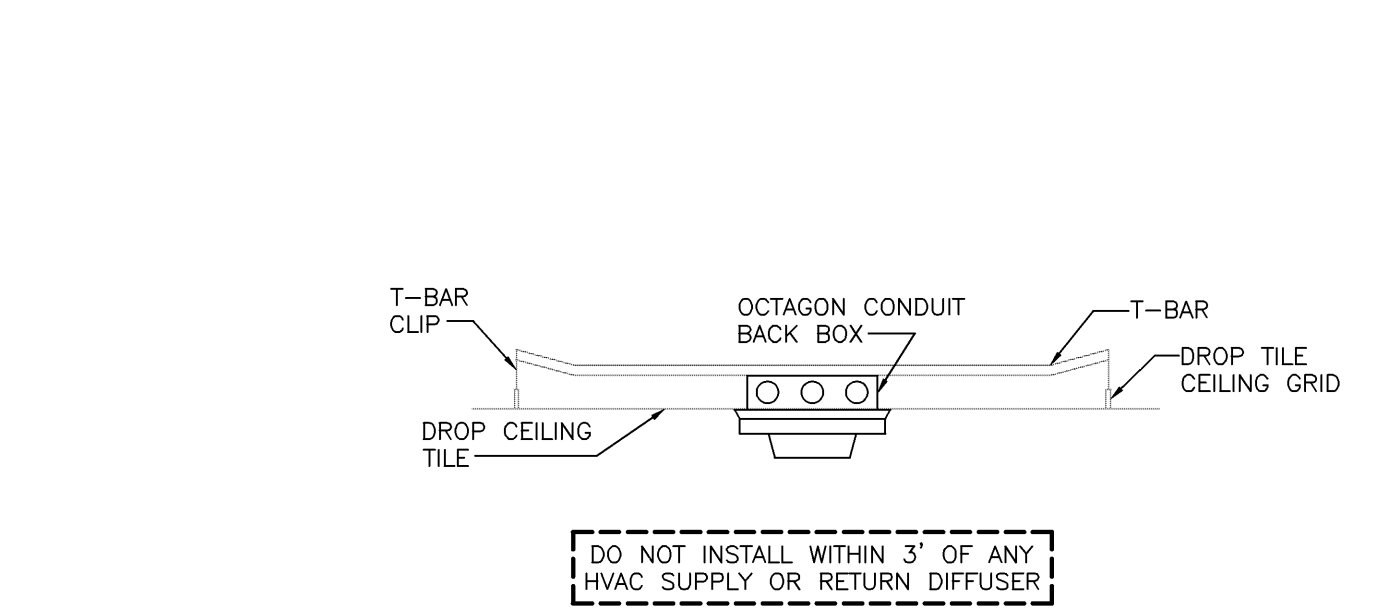
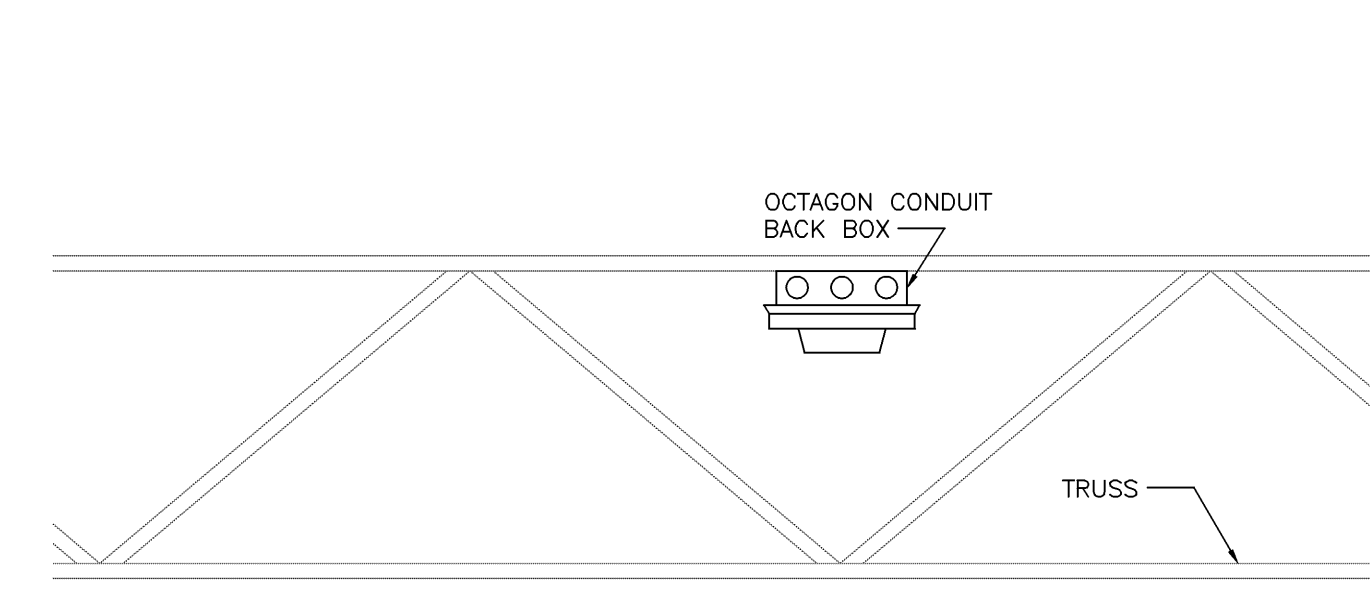


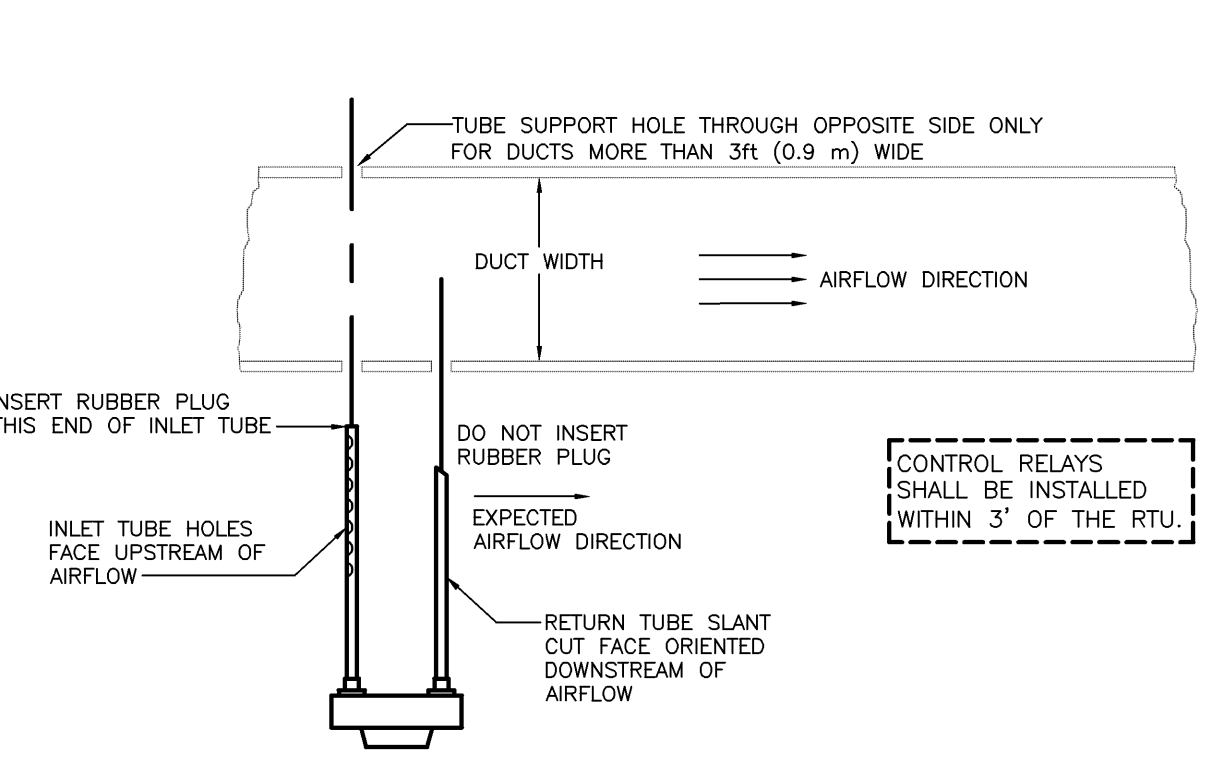
DETECTOR PROGRAMMING
SCALE: NONE



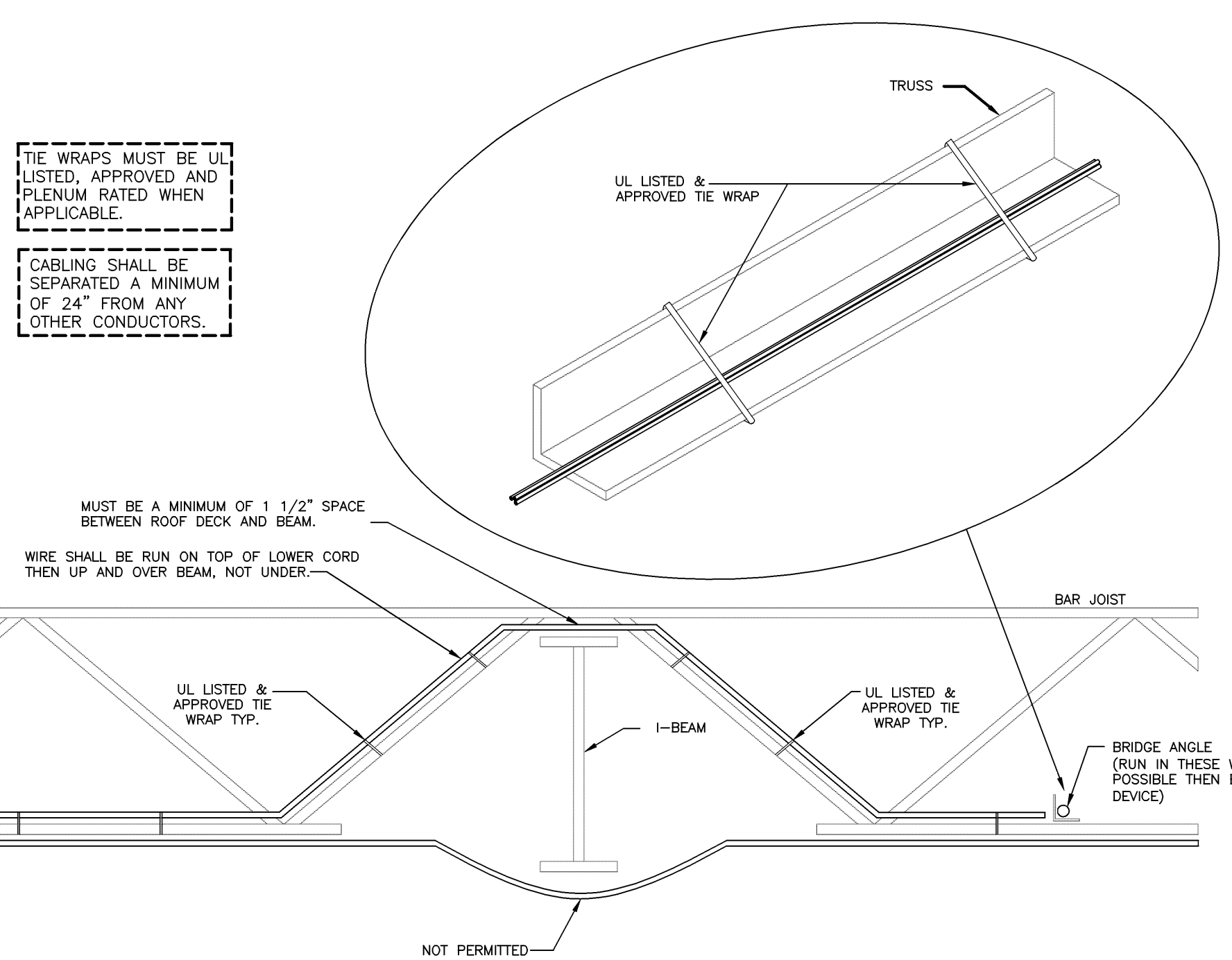
SMOKE/HEAT DETECTOR FLUSH MOUNTING DETAIL
SCALE: NO SCALE



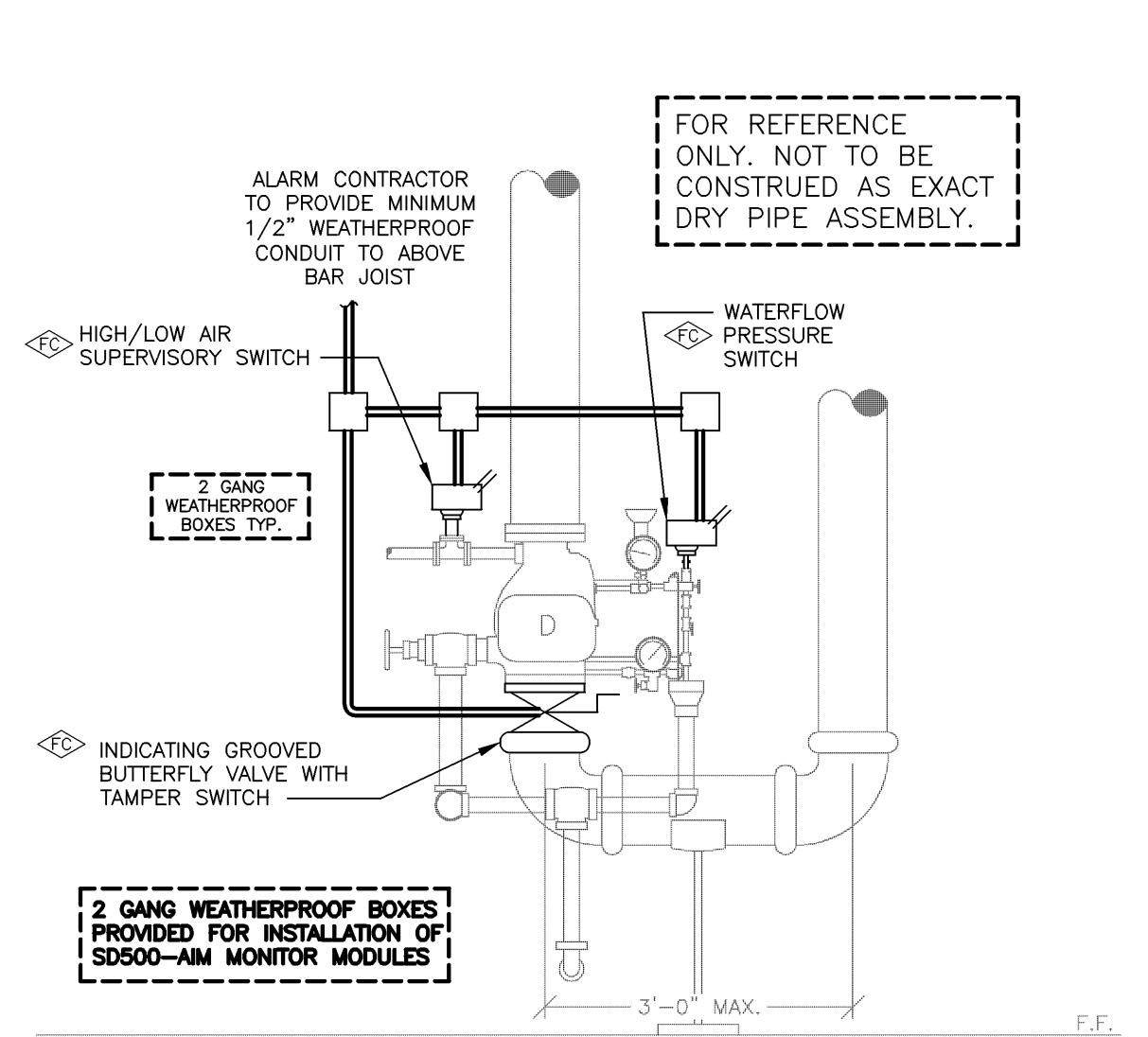
SMOKE/HEAT DETECTOR MOUNTING DETAIL
SCALE: NO SCALE



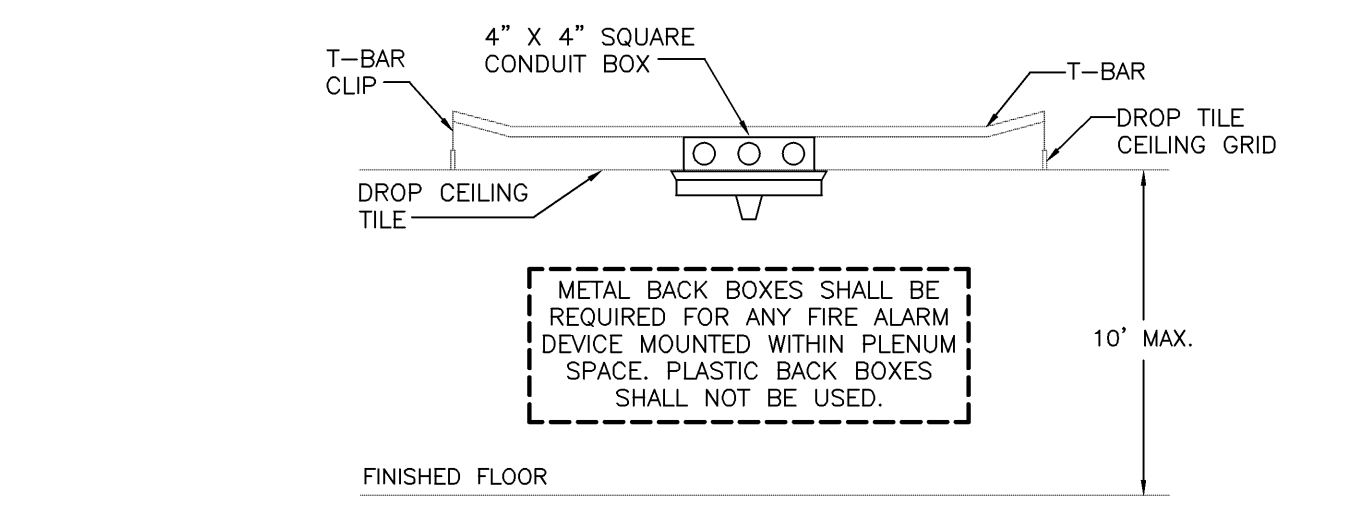
DUCT SMOKE DETECTOR INSTALLATION DETAIL
SCALE: NO SCALE



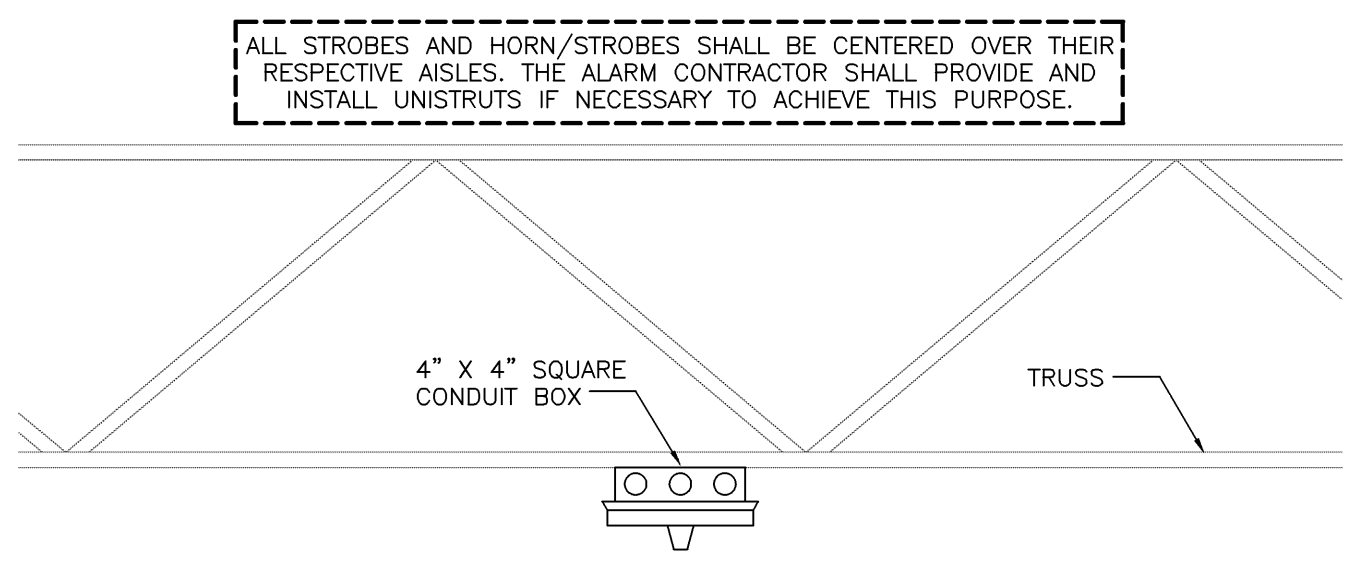
WIRE RUN DETAIL
SCALE: NO SCALE



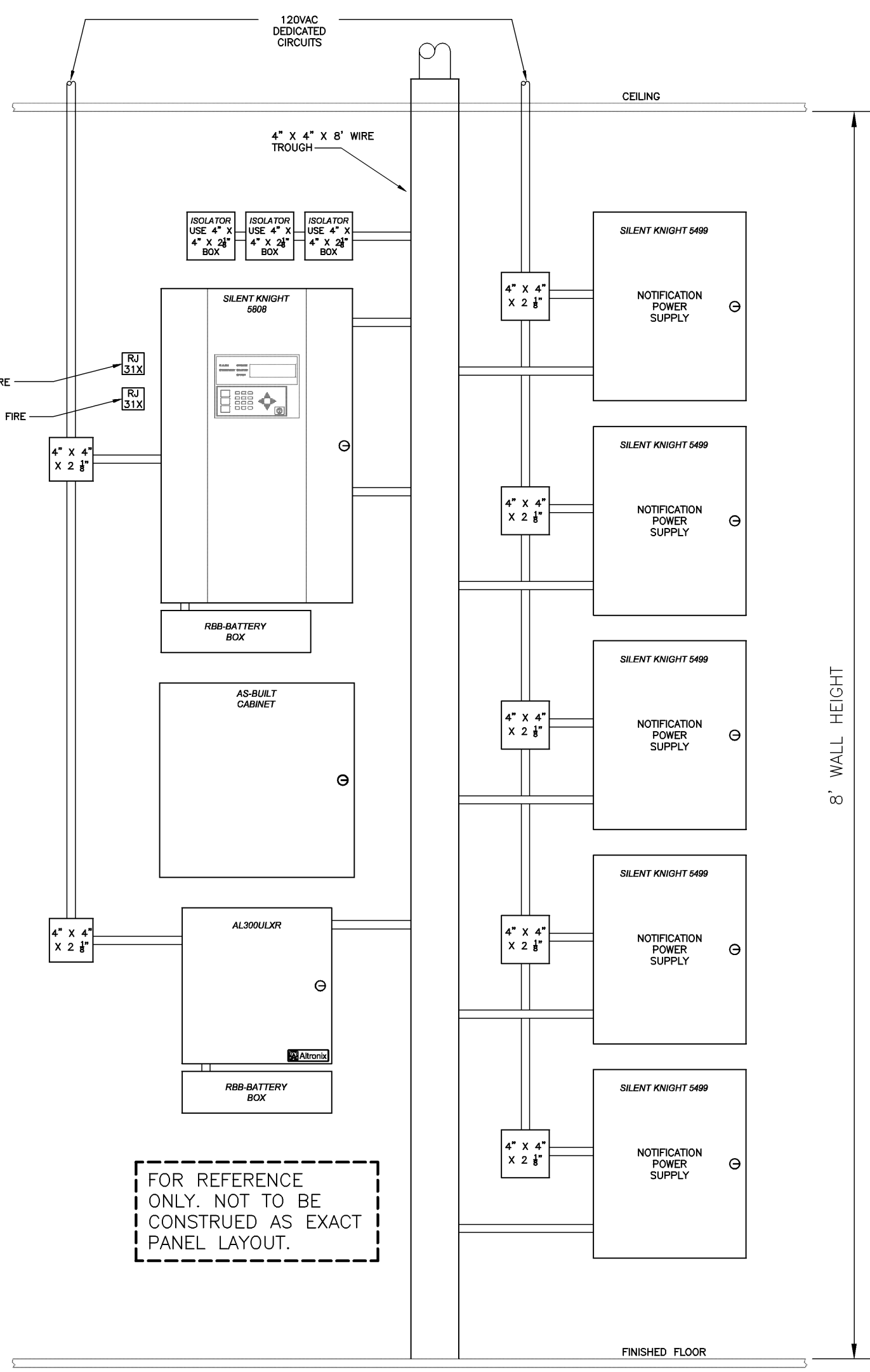
TYPICAL DRY PIPE VALVE DETAIL
SCALE: NO SCALE



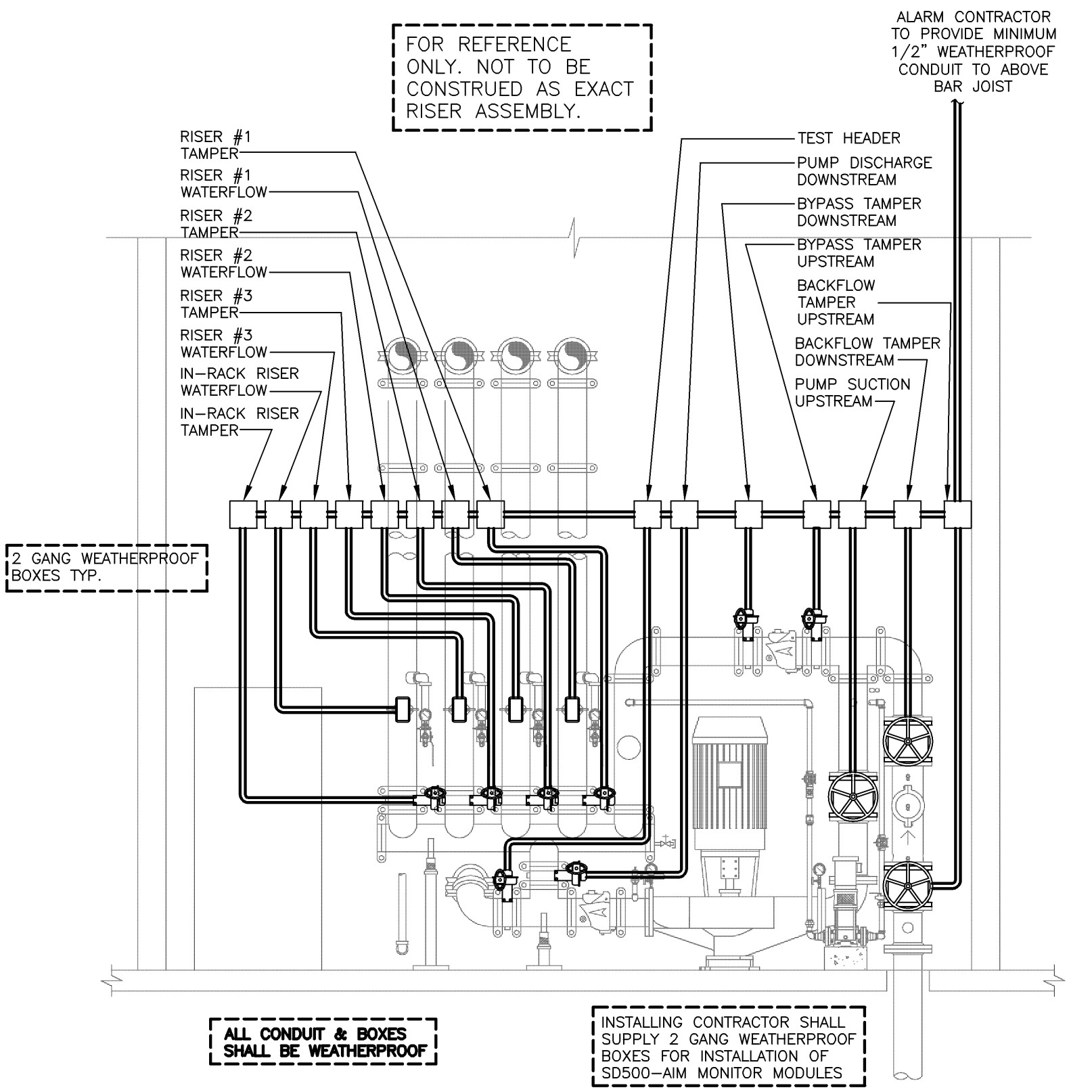
CEILING HORN/SSTROBE FLUSH MOUNTING DETAIL
SCALE: NO SCALE



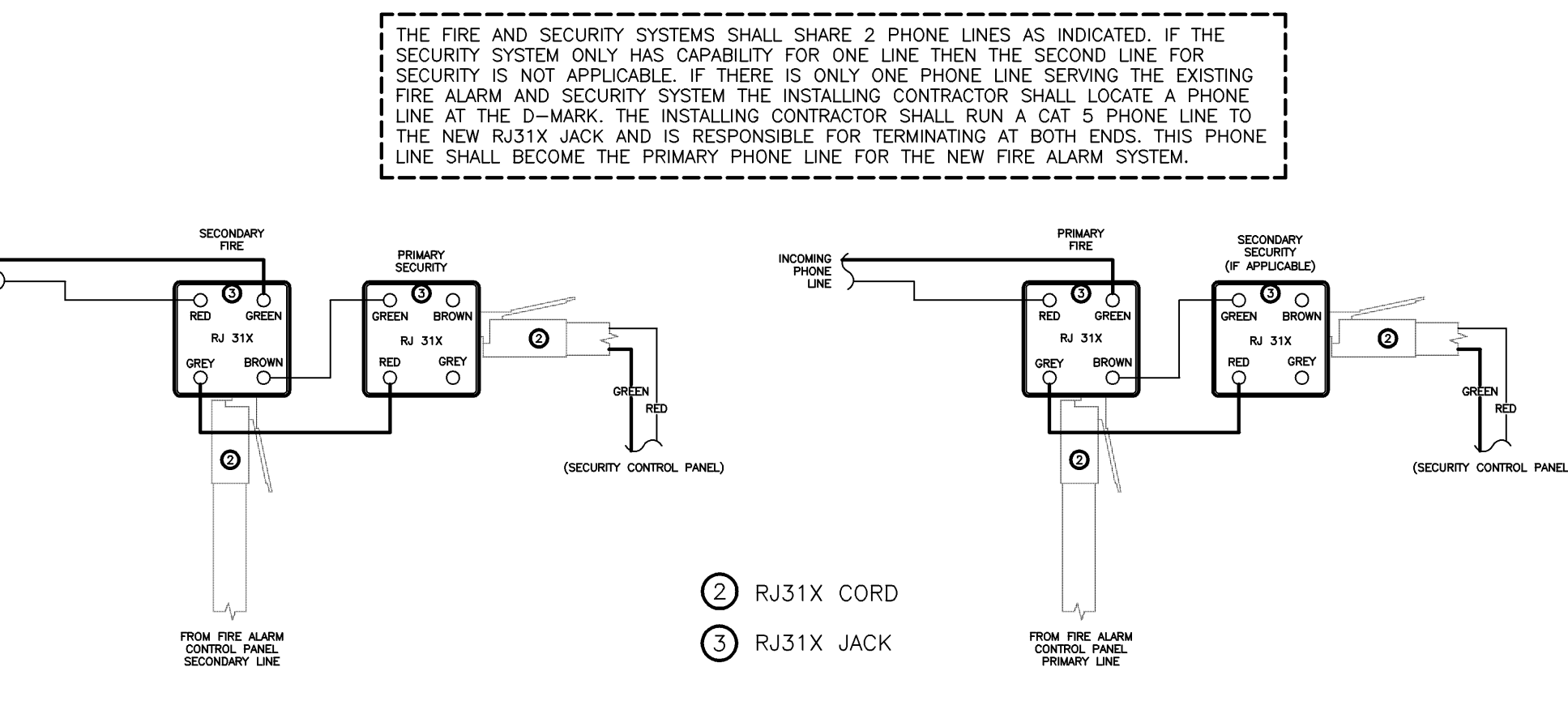
CEILING HORN/SSTROBE MOUNTING DETAIL
SCALE: NO SCALE



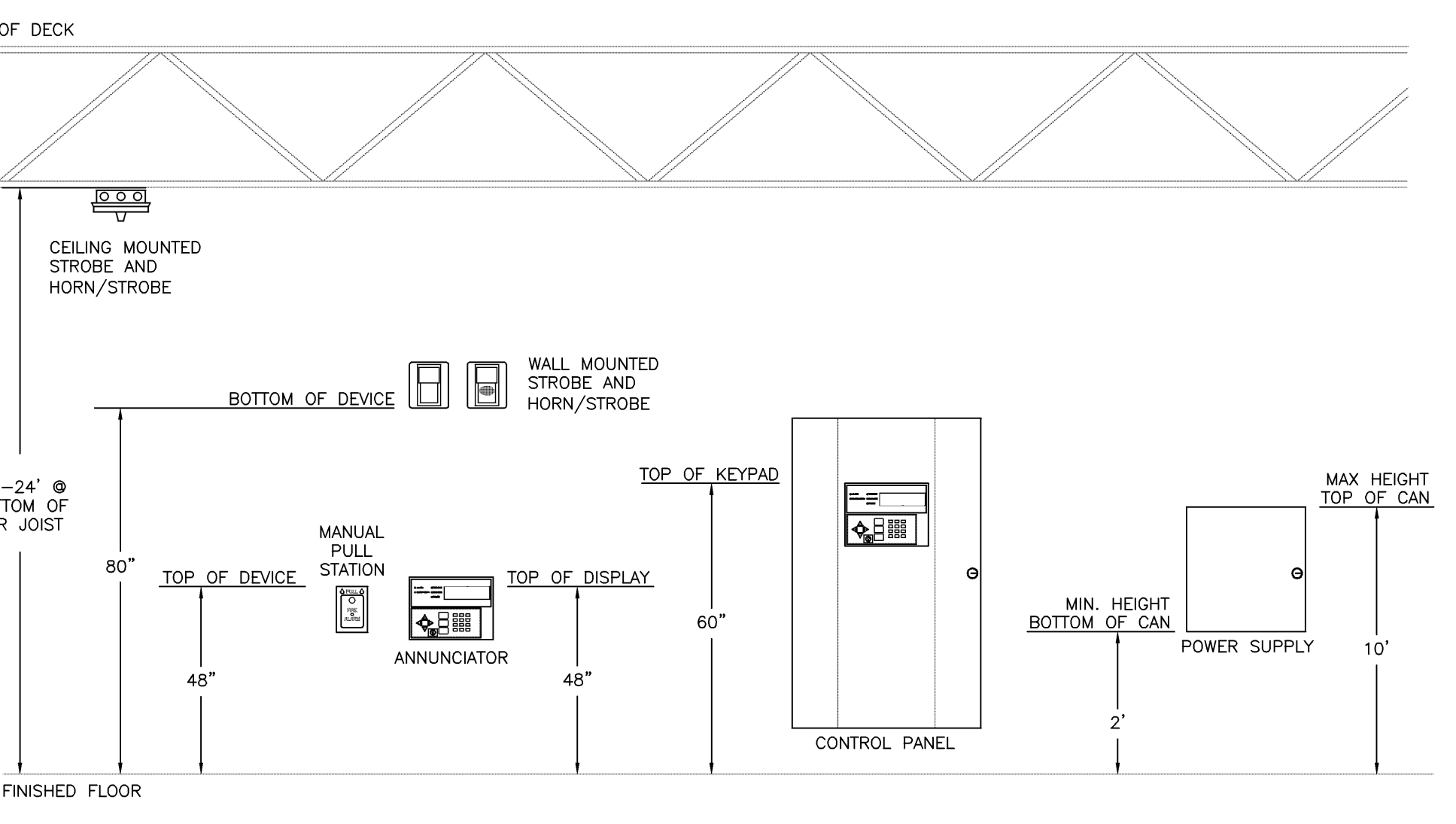
PANEL LAYOUT
SCALE: NO SCALE



TYPICAL RISER ASSEMBLY ELEVATION
SCALE: NO SCALE



PHONE LINE/RJ31X JACK WIRING DETAIL
SCALE: NONE



TYPICAL DEVICE MOUNTING HEIGHT
SCALE: NO SCALE

SCOPE OF WORK
THIS IS AN EXISTING STORE THAT IS OPEN FOR BUSINESS.
THE EXISTING FIRE ALARM SYSTEM WILL BE REPLACED WITH NEW TO ENSURE RELIABLE PERFORMANCE.



CONSULTANT:
Ray Dots
DESIGNER:
Bill Cummings
QUALITY CONTROL:
Brian Scudder

THE HOME DEPOT
Portland, ME



STORE#2401
THE HOME DEPOT
245 Riverside St.
Portland, ME

NICET LEVEL IV
BRIAN SCUDDER, SET
FIRE ALARM SYSTEMS
CERTIFICATION NUMBER
96297
DATE

REVISIONS
△
△
△
△
△

DESIGN COMPLETE:
05/16/11

HOME DEPOT
REPLACEMENT PROGRAM
FA6.0
FIRE ALARM DETAILS