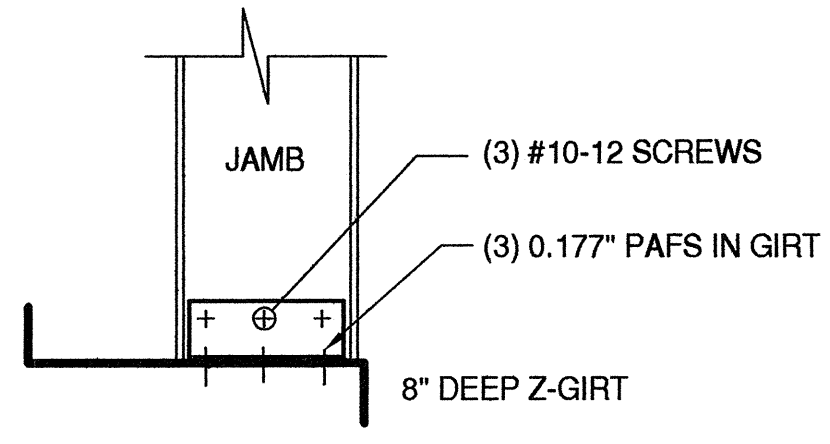
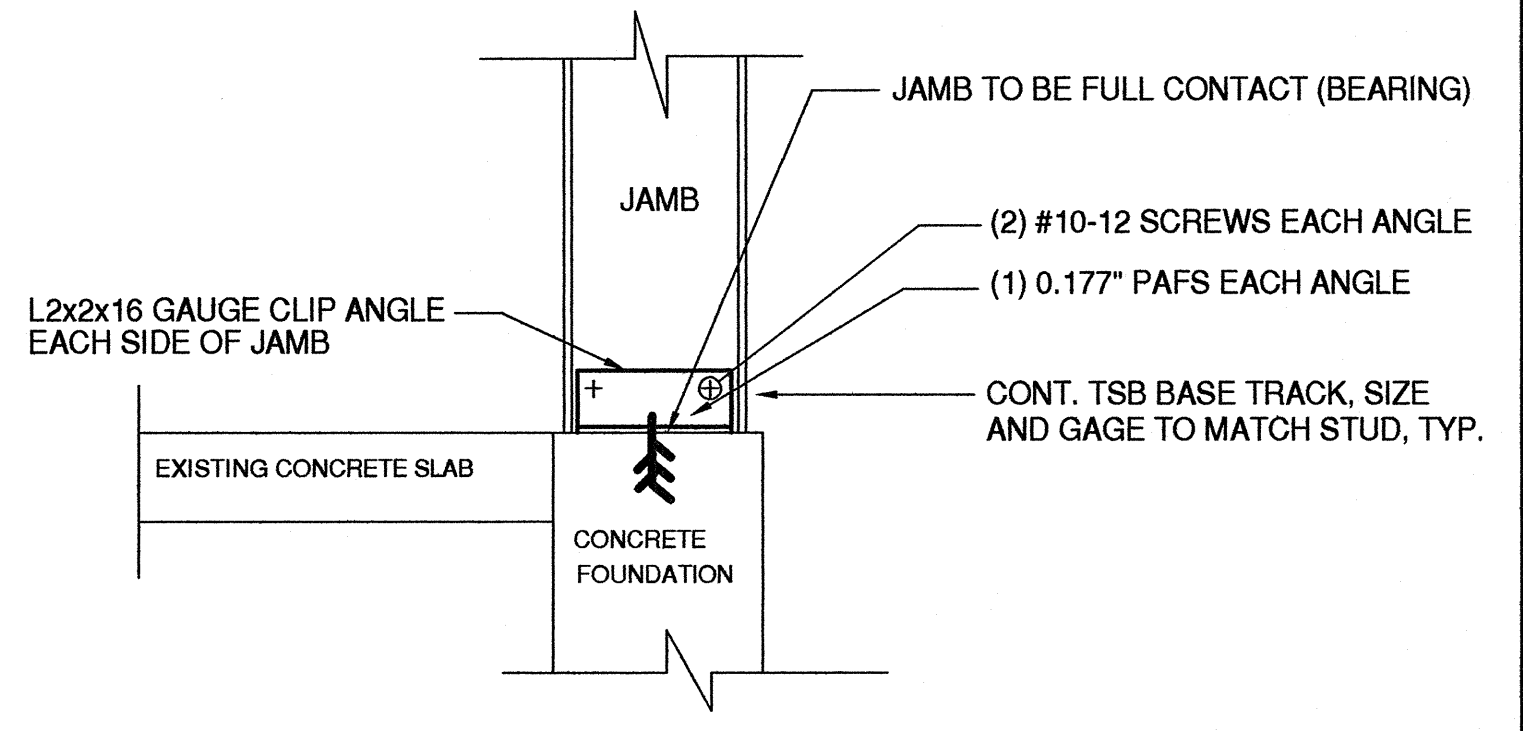


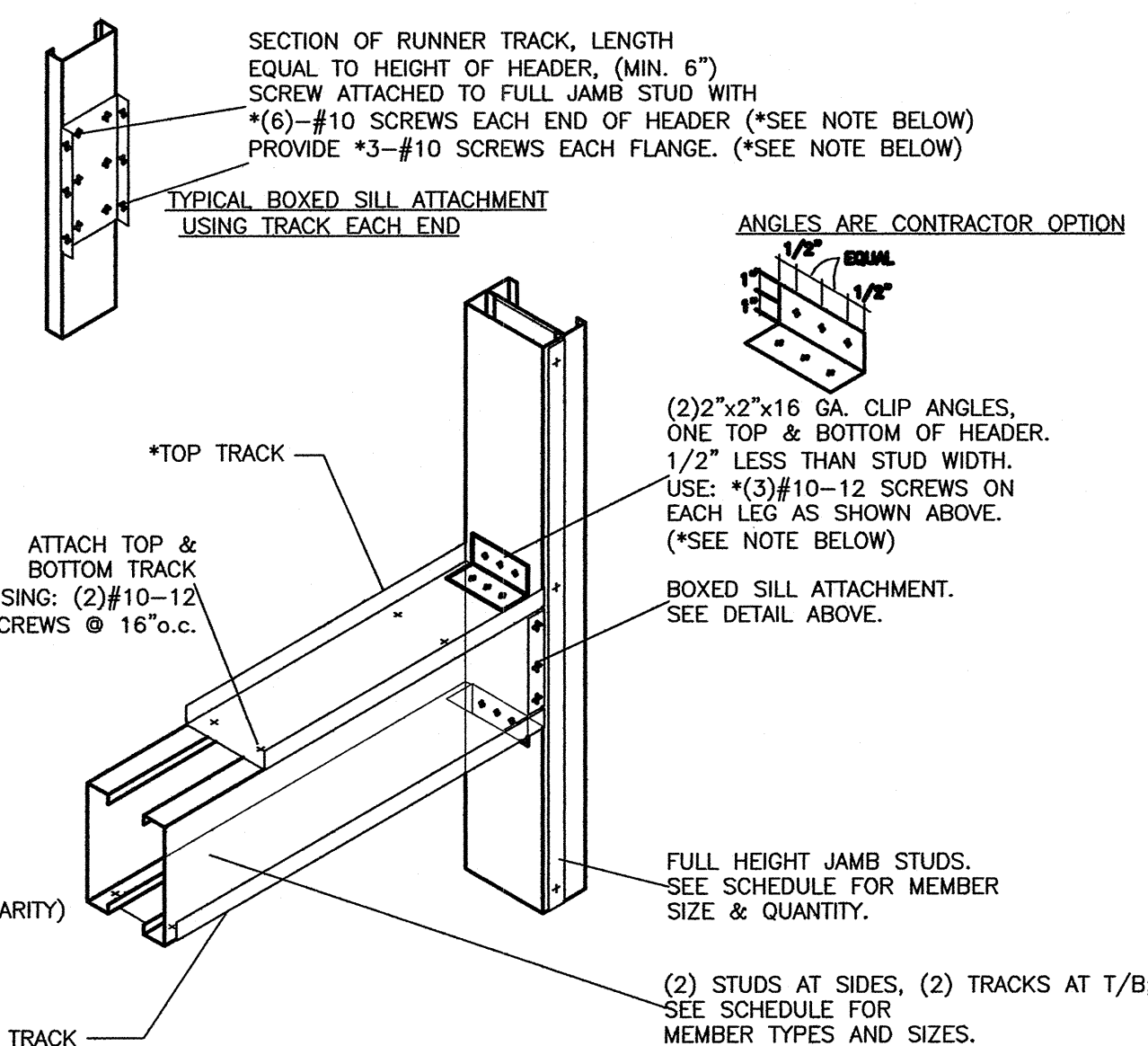
(SIMILAR AT SILL, ROTATE C7 180 DEGREES)
TYPICAL NEW C7 HEAD DETAIL
 NTS



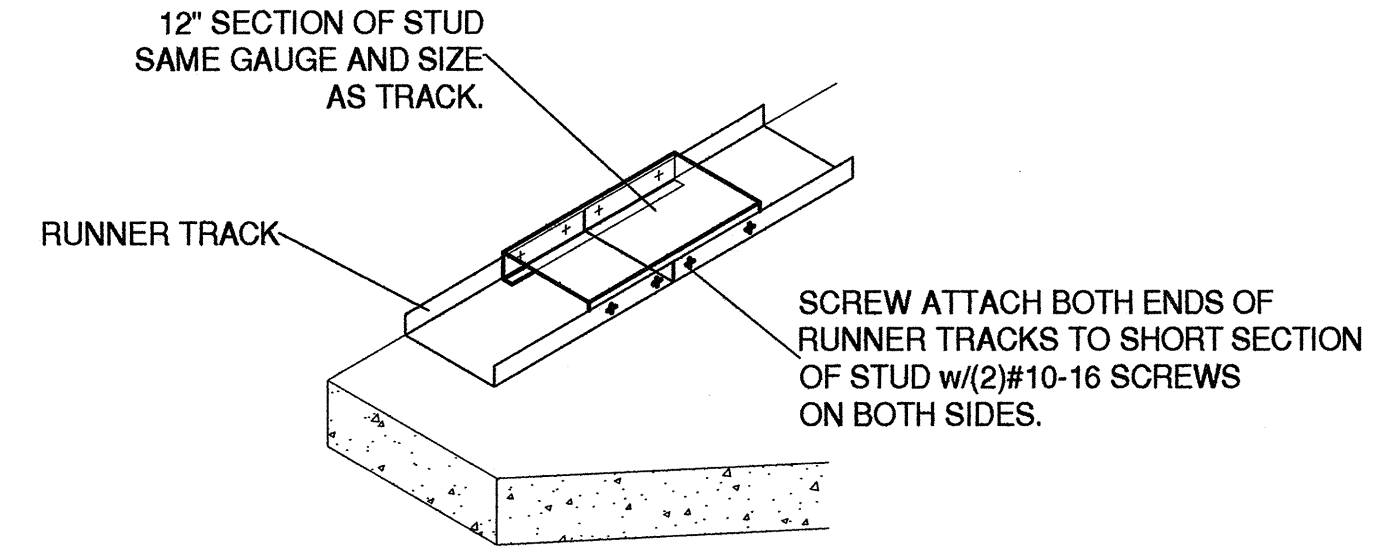
(SIMILAR AT NEW C7 GIRT)
TYPICAL JAMB TO GIRT DETAIL
 NTS



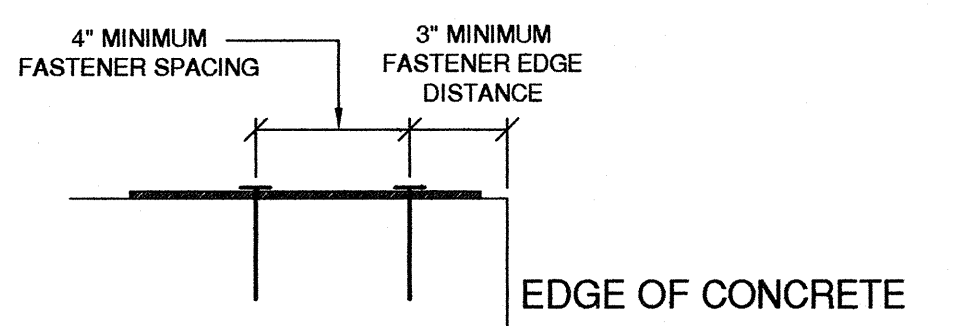
TYPICAL JAMB TO FOUNDATION DETAIL
 NTS



TYPICAL BOXED SILL CONNECTION DETAIL
 NTS



TYPICAL BASE TRACK SPLICE DETAIL
 NTS



TYPICAL POWER DRIVEN FASTENERS (PAF) IN CONCRETE
 NTS

ISSUED FOR CONSTRUCTION

COMPLY WITH ALL LOCAL, STATE, AND FEDERAL LAWS, TYPICAL

TYPICAL LIGHT GAGE STEEL FRAMING NOTES:

- ALL LIGHT GAGE STUDS, TRACKS, AND COMPONENTS TO BE BY DIETRICH INDUSTRIES, INC.
- THE EXTENT OF ALL WORK FOR LIGHT GAGE FRAMED WALL SYSTEMS IS DETAILED ON THE ARCHITECTURAL DRAWINGS. THESE NOTES ARE TO BE USED IN CONJUNCTION WITH THOSE DRAWINGS AND SPECIFICATIONS, INCLUDING ALL ADDENDUMS.
- PROVIDE ALL NECESSARY CHANNEL (STIFFENED FLANGE) STUDS, JOISTS, RUNNERS, TRACKS, BLOCKING, SHOES, CLIP ANGLES, REINFORCEMENTS, FASTENERS AND ALL OTHER ACCESSORIES REQUIRED FOR A COMPLETE FRAMING SYSTEM.
- THE FOLLOWING SPECIFICATIONS AND PUBLICATIONS (LATEST EDITIONS WITH CURRENT AMENDMENTS) ARE TO BE FOLLOWED (U.N.O.): ASTM, AISI, AWS, INTERNATIONAL BUILDING CODE (IBC).
- FABRICATION OF ALL LIGHT GAGE FRAMING IS TO CONFORM WITH THE FOLLOWING REQUIREMENTS OF ASTM A446 HAVING THE FOLLOWING MINIMUM YIELD STRESSES (Fy):
 - Fy = 50 KSI OR GREATER FOR ALL STUDS, TRACK AND SLIP TRACK 16 GAGE OR HEAVIER.
 - Fy = 33 KSI OR GREATER FOR ALL STUDS, TRACK, AND SLIP TRACK 18 GAGE OR LIGHTER.
 - Fy = 33 KSI OR GREATER FOR ALL COMPONENTS NOT OTHERWISE SPECIFIED.
- FABRICATE METAL FRAMING COMPONENTS (STUDS, TRACK AND BRIDGING) FROM GALVANIZED STEEL-SHEET MEETING A MINIMUM G60 COATING. ACCESSORIES TO BE HOT-DIPPED GALVANIZED IN STRICT COMPLIANCE WITH ASTM A123, A143, A153, A384, A385 AND A386 AS APPLICABLE TO EACH ITEM. PROVIDE NUTS, BOLTS, WAHSERS, SCREWS, AND OTHER FASTENERS WITH CORROSION-RESISTANT PLATED FINISH EQUIVALENT TO CADMIUM PLATING, ASTM A165, TYPE NS.
- AT ALL LOCATIONS WHERE STUD SYSTEM ABUTS STRUCTURAL COLUMNS OR WALLS, INSTALL COMPRESSIBLE FILLER AND ANCHOR STUDS TO SUPPORTING STRUCTURE, SEE ARCHITECTURAL PLANS.
- AT ALL EXPANSION AND CONTROL JOINTS, FRAME BOTH SIDES WITH SEPARATE STUDS; DO NOT BRIDGE THE JOINT WITH COMPONENTS OF STUD SYSTEM.
- MAINTAIN DEFLECTION (SLIP) JOINT (IF NOTED ON PLANS) TO ALLOW FOR FULL STRUCTURAL FRAME MOVEMENT INDEPENDANT OF STUD SYSTEM.
- ALL SCREWS SHOWN ARE TO BE "TEK" SCREWS, SIZE AS SHOWN.
- ALL STUDS TO BE SET IN FULL CONTACT WITH BASE TRACK.
- SEE WALL SECTION(S) FOR STUD AND SLIP TRACK REQUIREMENTS.
- SIZE, GAGE, & SPACING OF JACK AND CRIPPLE STUDS TO MATCH TYPICAL WALL STUDS, UNLESS NOTED OTHERWISE ON DETAILS.
- ALL LIGHT GAGE FRAMING HAS BEEN DESIGNED FOR WIND LOADS AS REFERENCED IN ASCE 7-02 (WIND SPEED = 95MPH, EXP. C, I=1.10) WITH MAX. DEFLECTION = L/240 FOR METAL SIDING.
- REFER TO CONSTRUCTION DOCUMENTS (PLANS AND SPECIFICATIONS) FOR ADDITIONAL REQUIREMENTS.
- CONTRACTOR MAY SUBSTITUTE STUD SIZE SHOWN WITH STUD HAVING SAME Fy, DEPTH, AND GAGE, WHILE HAVING A WIDER FLANGE.
- CONTRACTOR MAY SUBSTITUTE STUD SIZE SHOWN WITH STUD HAVING SAME Fy, DEPTH, AND FLANGE WIDTH, WHILE HAVING A THICKER GAGE.
- FASTENER SIZE SHOWN IS MINIMUM. FASTENER SPACING SHOWN IS MAXIMUM.
- DESIGN WIND LOAD = 20.0 PSF FOR ALL STUDS AT WALL ZONES 4 AND 5.
- CONTRACTOR MAY SUBSTITUTE LGMF SHOWN MANUFACTURED BY ANOTHER MANUFACTURER MEETING THE MINIMUM DESIGN PROPERTIES SPECIFIED BY DIETRICH INDUSTRIES. ACCEPTABLE MANUFACTURERS INCLUDE MARINO, BOSTWICK, MILCOR, AND WARE.

| FRAMED OPENING SCHEDULE | | | | | | |
|-------------------------|---|----------|---|-------------------|--------------|----------------|
| OPENING TYPE | HEAD(S) | | SILL (S1) | | JAMB (J1) | |
| | MATERIAL | ASSEMBLY | MATERIAL | ASSEMBLY | MATERIAL | ASSEMBLY |
| SEE SHEET S2 | NEW C7 REQ'D AT 3 LOCATIONS, SEE SHEET S2 | | NEW C7 REQ'D 1 LOCATION (SEE SHEET S2) | STUD/WALL, SEE S2 | (1) 358CSJ16 | NESTED SECTION |
| | EXISTING 8" Z-GIRT 5 PLACES, SEE SHEET S2 | | (2) 358TSB16 (2) 358CSJ16 (8) LOCATIONS, SEE SHEET S2 | TSB SILL | (1) 358TSB16 | |

NOTES:
 1. COORDINATE ALL ROUGH OPENING SIZES WITH THE WINDOW AND DOOR MANUFACTURER.
 2. ALL SCREWS SHOWN ON SCHEDULE ARE TO BE MIN. #10 TEK @ MAX. 16" O.C. LOCATED NO CLOSER THAN 1/2" FROM FREE EDGE, U.N.O..
 3. PROVIDE DOUBLE (2) STUDS BACK-TO-BACK AT ENDS OF ALL OPENINGS NOT OTHERWISE SPECIFIED.
 4. ALL STOREFRONTS ASSUMED TO SPAN IN THE VERTICAL DIRECTION, SUPPORT AT PERIMETER BY OTHERS.
 5. ALL JAMBS TO BE ONE PIECE AND CONTINUOUS, SPLICES ARE NOT ALLOWED.
 6. ALL STUDS AND JAMBS TO BE IN FULL CONTACT (BEARING) EACH END. PROVIDE CONT. 3625TSB16 TRACK AT TOP AND BOTTOM OF ALL STUDS AND/OR JAMBS.

**TOP TRACK AT BOXED SILL, MAY HAVE LEGS UP OR DOWN, SEE DETAILS

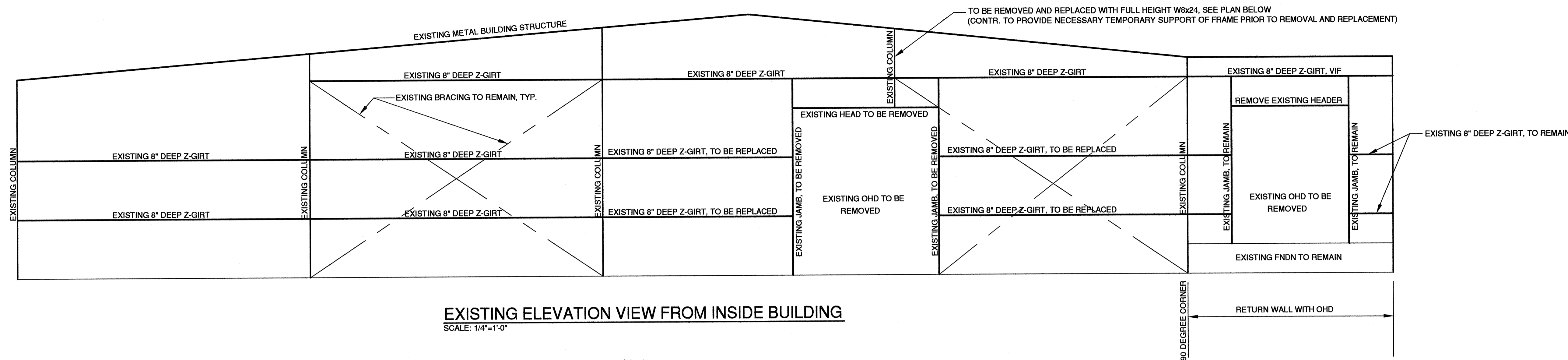
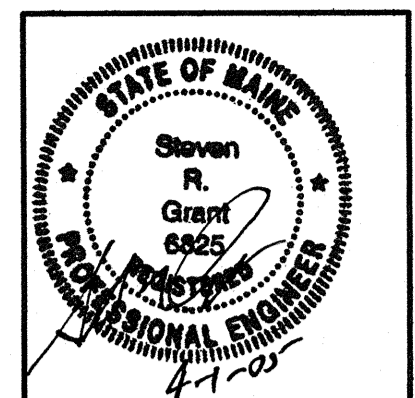
SEE SHEET S2 FOR WALL ELEVATIONS

| FRAMED OPENING CONNECTION SCHEDULE | | | |
|------------------------------------|------------------------|-----------------------|--|
| OPENING TYPE | HEAD(S) | SILL | JAMB |
| | CONN. REQ. EACH END | CONN. REQ. EACH END | CONN. REQ. EACH END |
| SEE SHEET S2 | SEE DETAIL ON SHEET S2 | SEE DETAIL THIS SHEET | 16 GA. CLIP WITH (3) #10 SCREWS EACH LEG |

NOTES:
 1. CONTRACTOR MAY SUBSTITUTE EQUAL NUMBER OF #12 SCREWS OR 0.205" PAFS IN LIEU OF FASTENERS INDICATED, RESPECTIVELY.
 2. PROVIDE MIN. 4 FASTENERS AT ALL TOP JAMB CONNECTIONS IF NOT SPECIFIED, PROVIDE 2 EACH SIDE OF JAMB.
 3. PROVIDE MIN. 3 FASTENERS (EACH LEG) AT ALL SILL AND HEADER CONNECTIONS IF NOT SPECIFIED.

SRG ENGINEERING, INC.
 CONSULTING STRUCTURAL ENGINEER
 P.O. BOX 925
 GRAY, ME 04039
 TEL: (207) 657-7923
 FAX: (207) 657-7242
 EMAIL: SRG@SRGENG.COM
 PROJECT NO. FOR DESIGN CHKD DRAWN
 05-029 SRG SRG SRG

NOTES AND DETAILS
 OF
RUG DEPOT
 659 WARREN AVE., PORTLAND, MAINE
 FOR
DOWNEAST HARDWOOD FLOORING
 AUBURN, MAINE

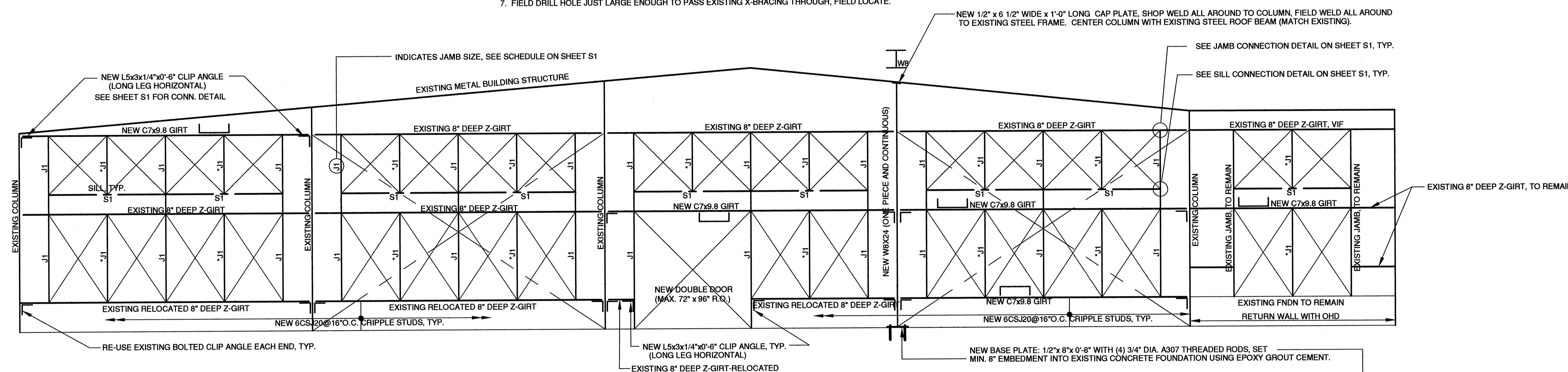


EXISTING ELEVATION VIEW FROM INSIDE BUILDING

SCALE: 1/4"=1'-0"

STRUCTURAL NOTES:

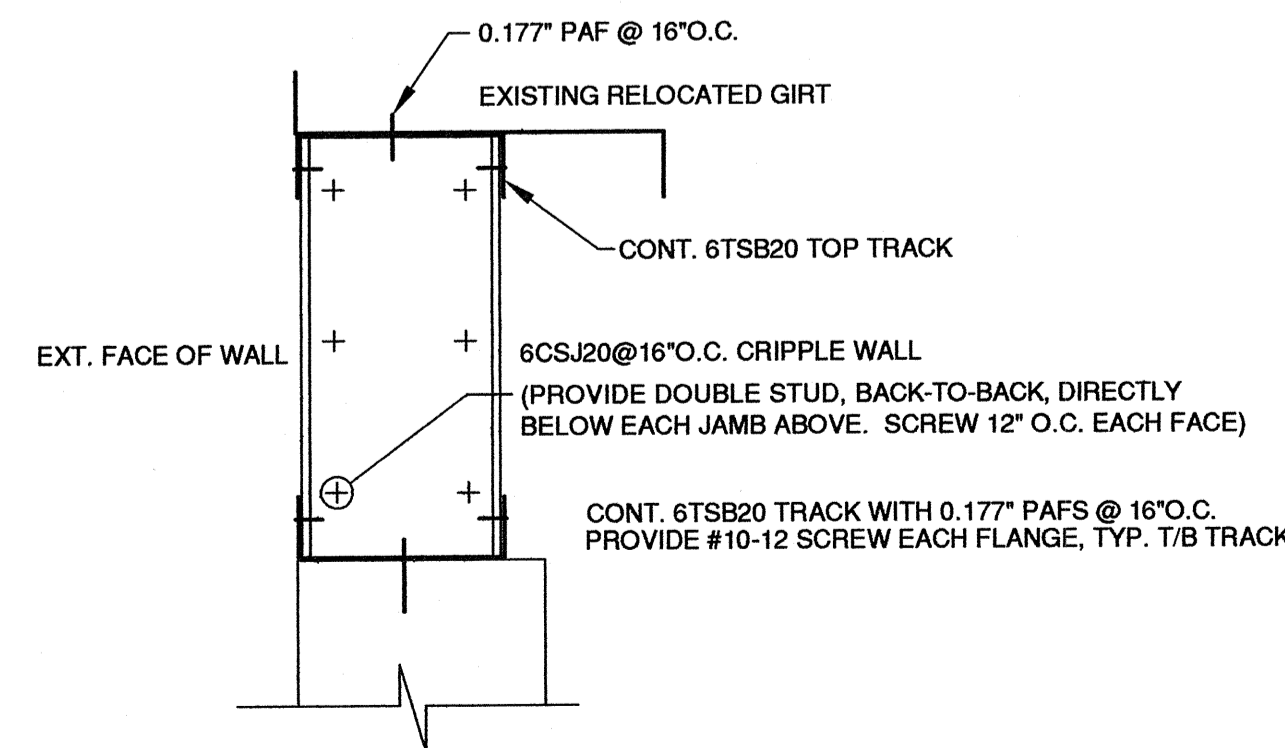
- DESIGN BUILDING CODE 2003 IBC.
- STRUCTURAL STEEL EITHER ASTM A36 OR A992.
- WELDS E70 SERIES.
- BOLTS FASTENING GIRTS TO BE ASTM A307, SIZE INDICATED ON PLANS.
- DESIGN SNOW LOAD FOR NEW COLUMN; $Pf=0.7 \times Ce \times Ct \times Pg$, ($Ce=1.0$, $Ct=1.1$, $I=1.0$, $Pg=60$ PSF) $Pf=46$ psf.
- DESIGN ROOF DEAD LOAD = 14psf.
- FIELD DRILL HOLE JUST LARGE ENOUGH TO PASS EXISTING X-BRACING THROUGH, FIELD LOCATE.



PROPOSED ELEVATION VIEW FROM INSIDE BUILDING

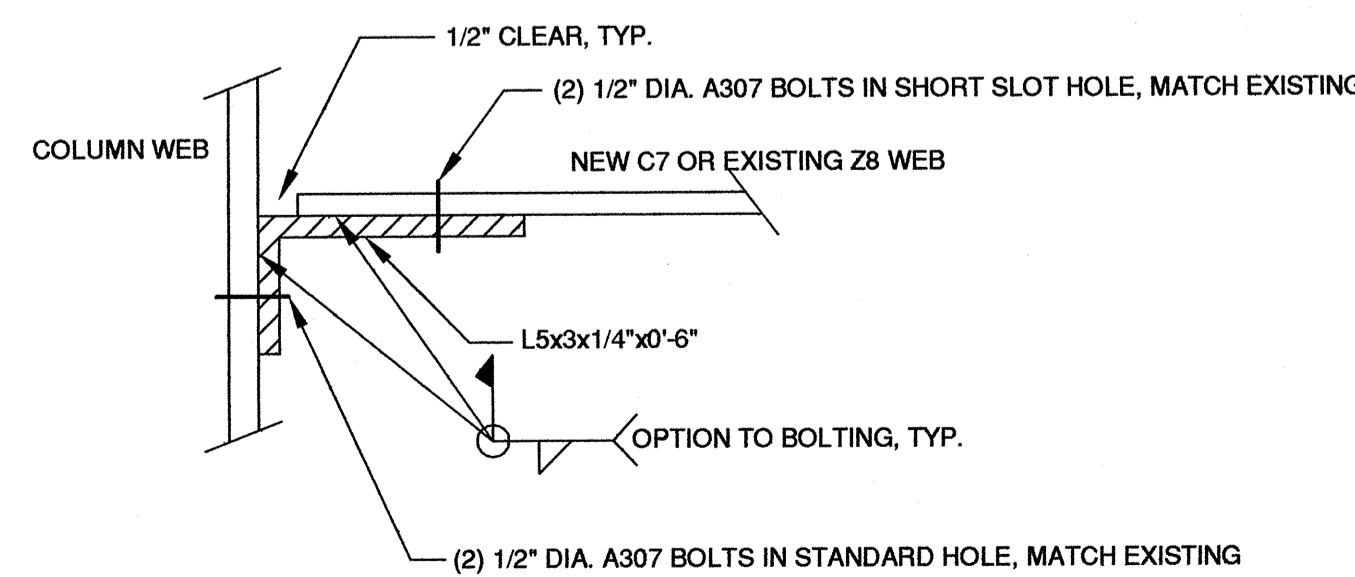
SCALE: 1/4"=1'-0"

*J1 INDICATES JAMB IS OPTIONAL, G.C. VERIFY WITH WINDOW MANUFACTURER
NEW 6CS.120@16" O.C. CRIPPLE STUDS ARE REQUIRED TO SUPPORT WEIGHT OF NEW WINDOWS, SEE DETAIL THIS SHEET



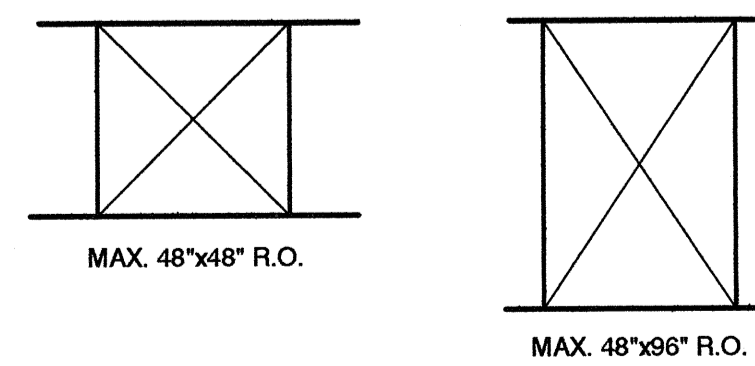
TYP. CRIPPLE WALL DETAIL BELOW LOWER GIRT

NTS



TYP. C7 AND Z8 HEAD/SILL GIRT CONNECTION TO COLUMN

NTS



KEY: WALL OPENINGS

ISSUED FOR CONSTRUCTION

COMPLY WITH ALL LOCAL, STATE, AND FEDERAL LAWS, TYPICAL

| NO. | REV. | BY | DATE | STATUS |
|-----|------|----|------|--------|
| | | | | |
| | | | | |
| | | | | |
| | | | | |
| | | | | |

SRG ENGINEERING, INC.
CONSULTING STRUCTURAL ENGINEER

P.O. BOX 925
GRAY, ME 04039
TEL: (207) 857-7923
FAX: (207) 857-7942
EMAIL: SRG@SRGENG.COM

PROJECT NO.: 05-029

| | | | | | | | |
|--|--|--|--|--|--|--|--|
| | | | | | | | |
| | | | | | | | |
| | | | | | | | |
| | | | | | | | |

ELEVATIONS AND DETAILS
OF
RUG DEPOT
FOR
DOWNEAST HARDWOOD FLOORING
AUBURN, MAINE

| | |
|----------|----------|
| | |
| DATE | SCALE |
| 04-01-05 | AS NOTED |

SHEET S2 OF 2