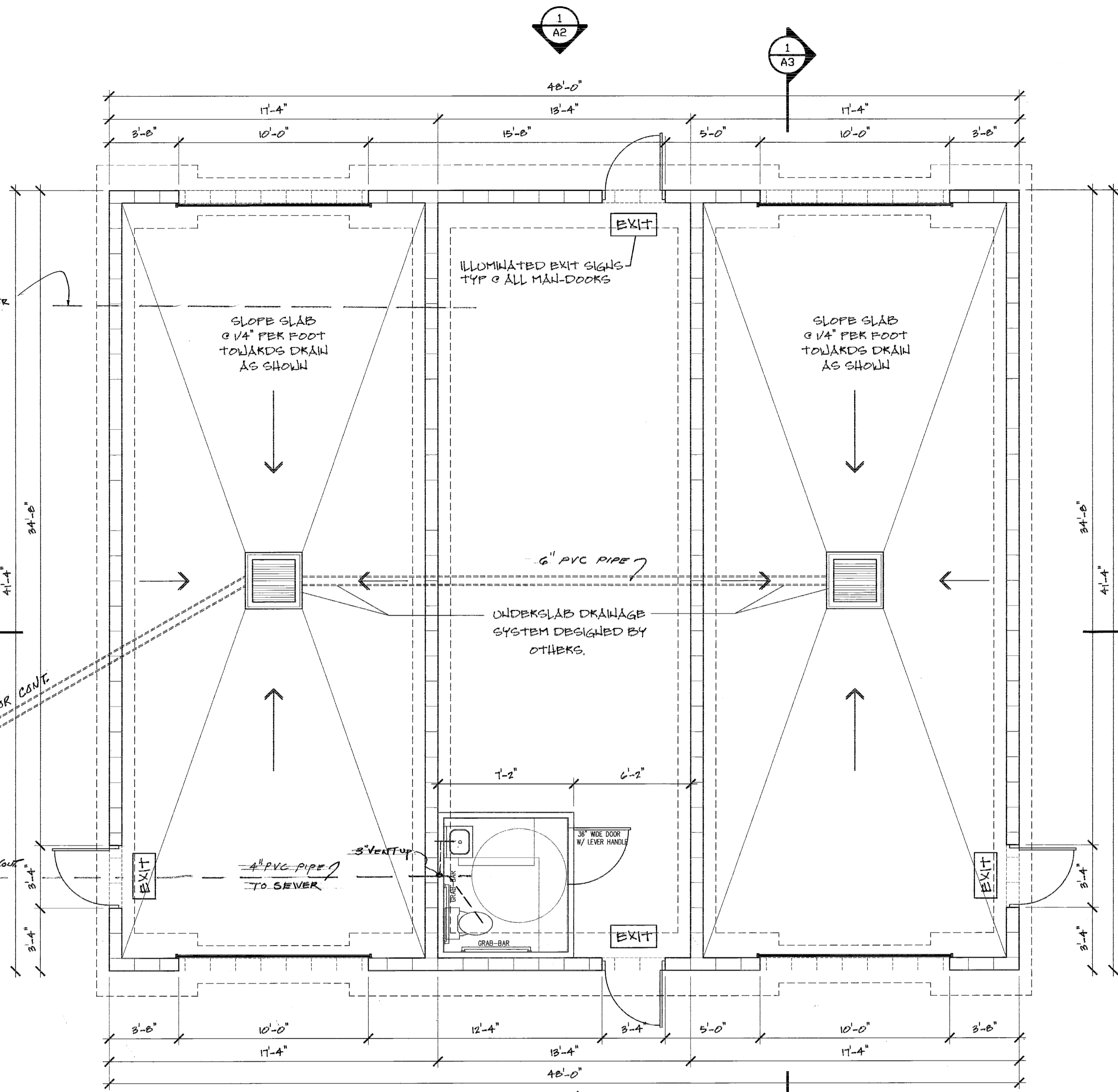
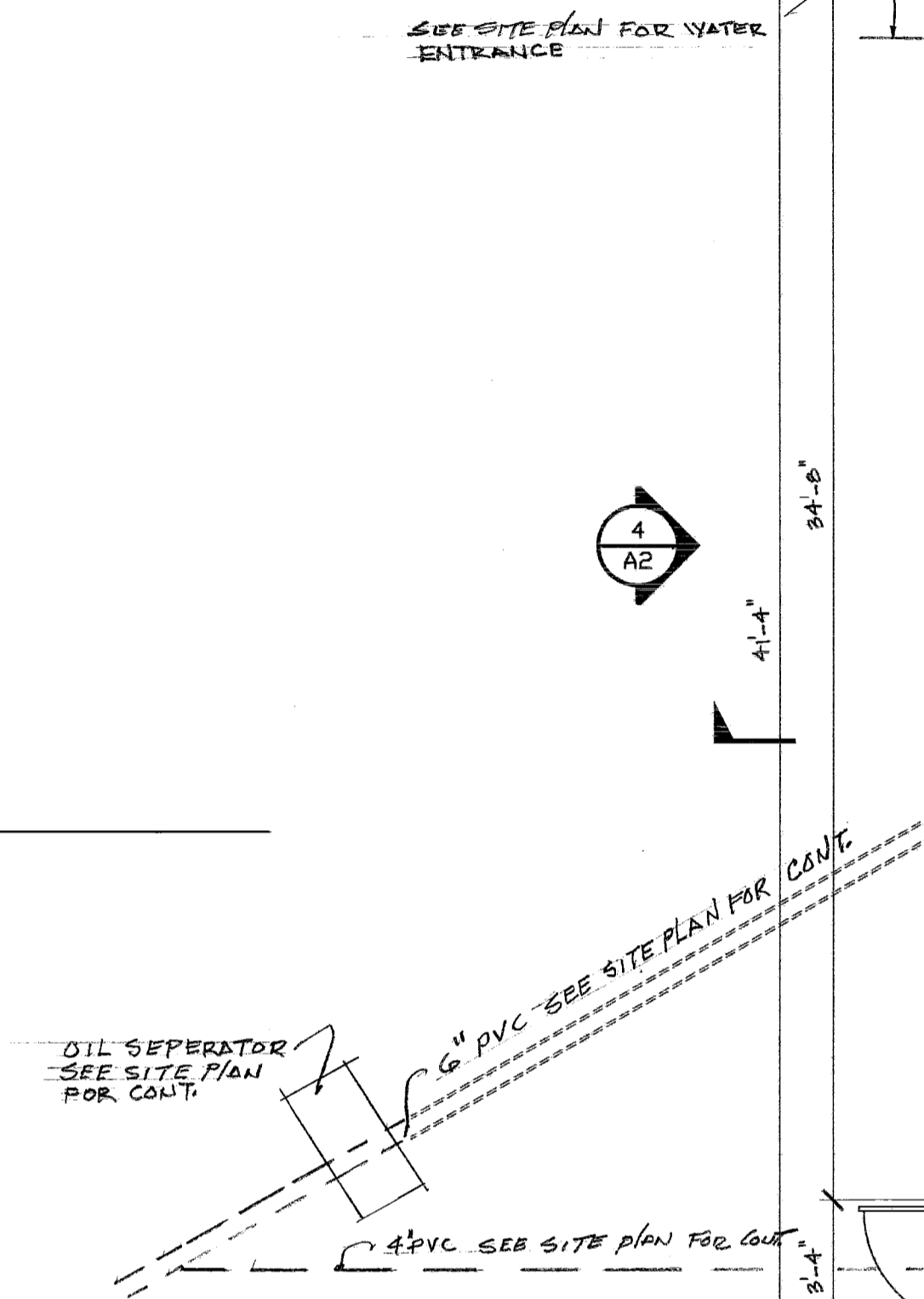
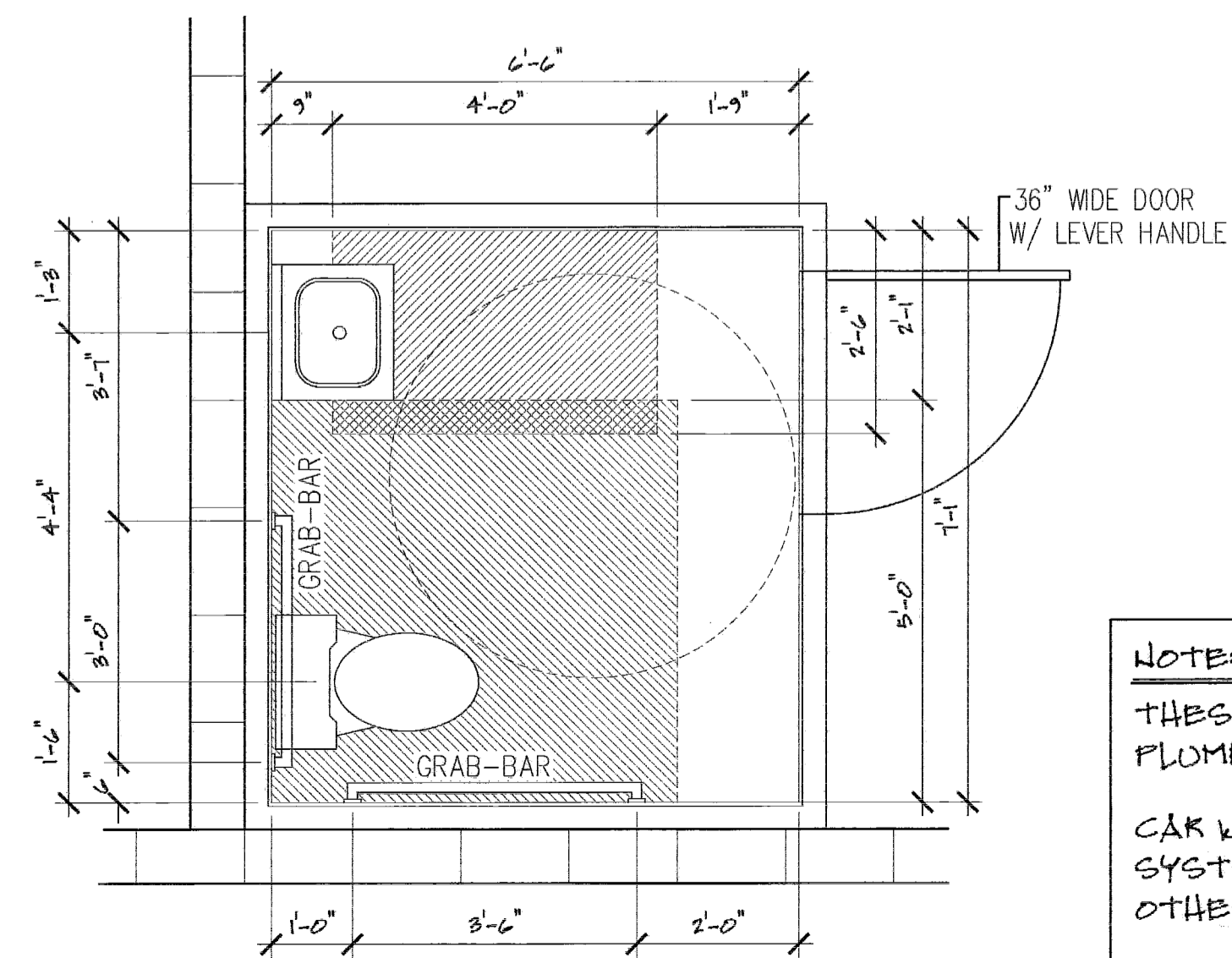
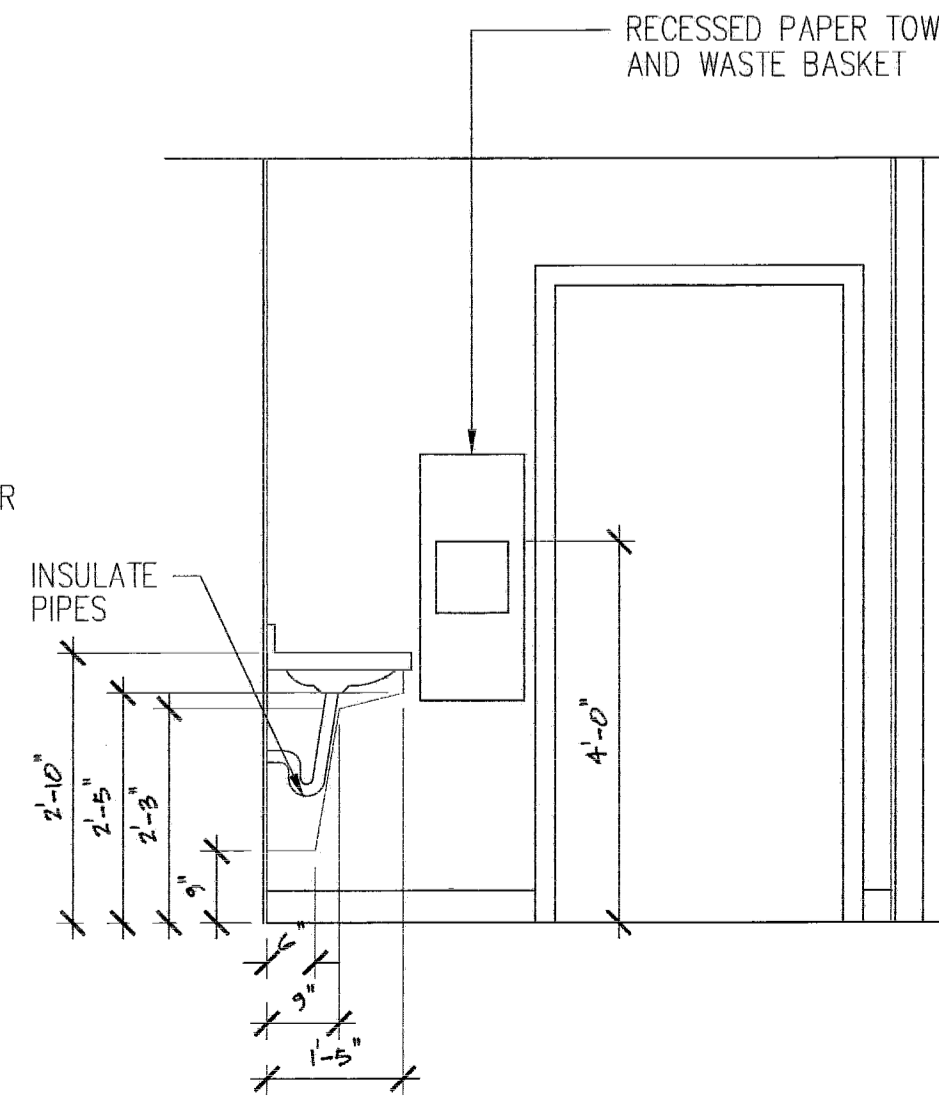
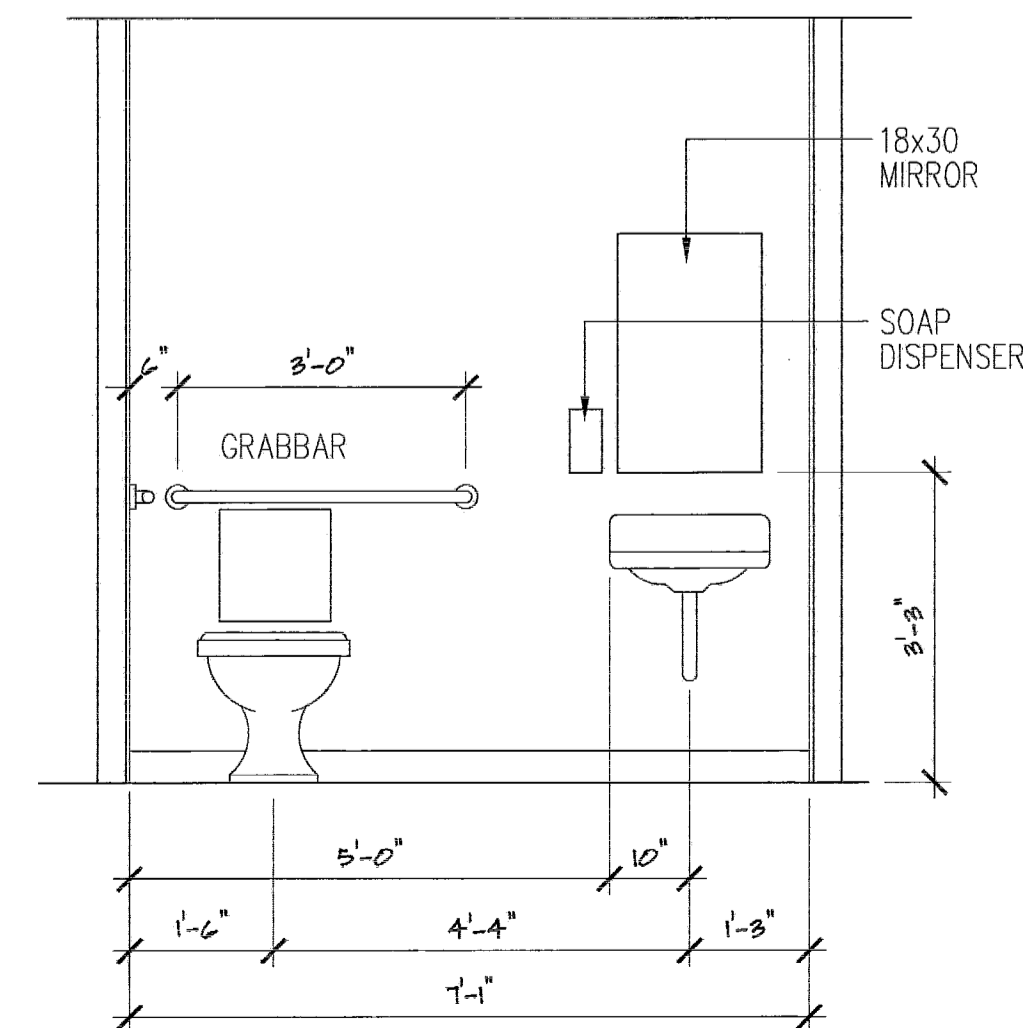
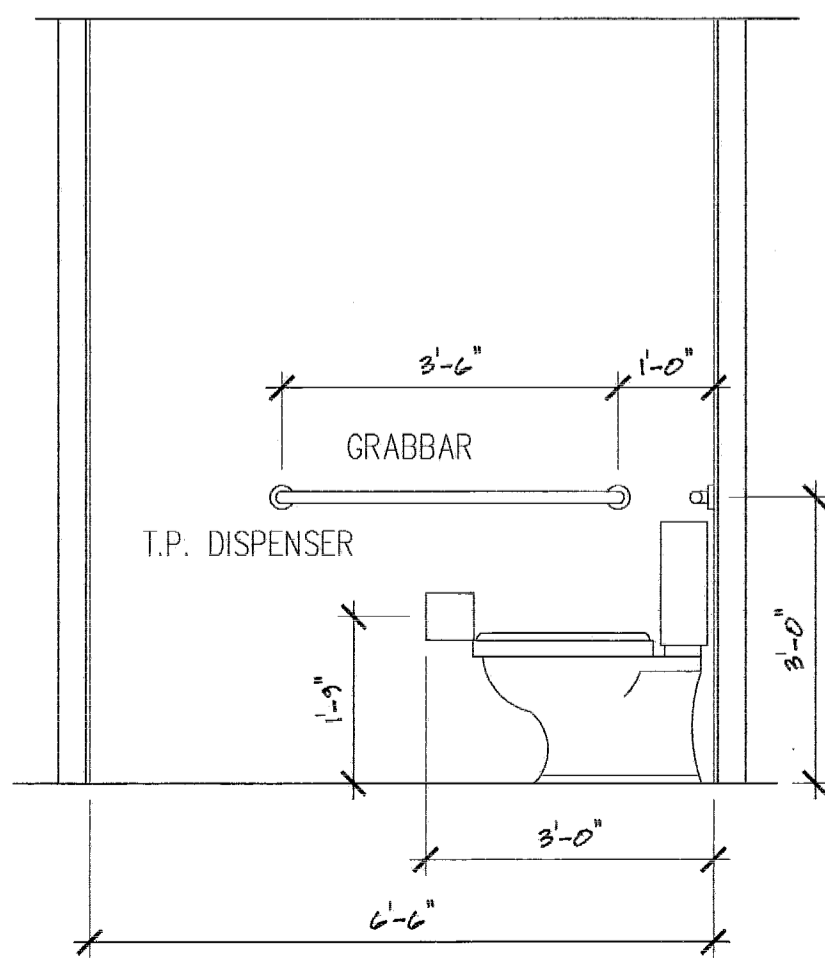


TYPICAL DOOR
1/4"=1'-0"



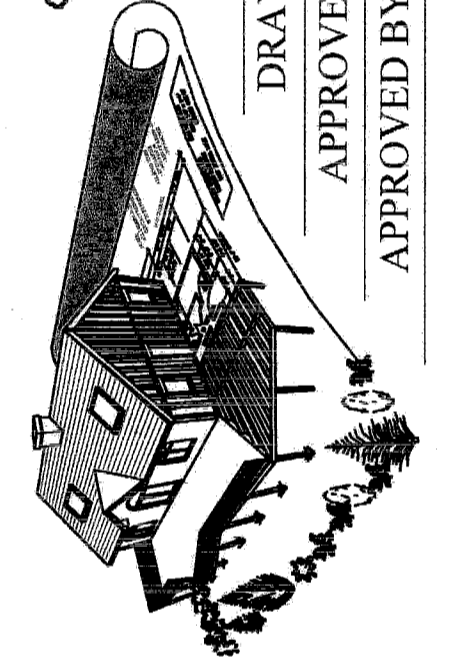
FLOOR PLAN
1/4"=1'-0"

ADA ACCESSIBLE BATH
1/2"=1'-0"



NOTE:
THESE DRAWINGS DO NOT DESCRIBE THE ELECTRICAL,
PLUMBING, AND MECHANICAL SYSTEMS REQUIRED.
CAR WASH ELECTRICAL, PLUMBING, AND MECHANICAL
SYSTEMS TO BE ENGINEERED AND INSTALLED BY
OTHERS.

CUSTOM CONCEPTS, INC.
686 U.S. ROUTE 1, BOX 6 - SCARBOROUGH, MAINE 04074
TEL: (207) 883-0088 FAX: (207) 883-0081
JOB NUMBER: *****
SCALE: 1/4" = 1'-0" O.A.D.
UPDATED: 22 MARCH 04
DRAWN BY: TFD



- PRELIMINARY DESIGN (FOR CLIENT REVIEW)
- DESIGN DEVELOPMENT (FOR CLIENT REVIEW AND COST ESTIMATING)
- CONTRACT DOCUMENTS (FOR PERMITS, BIDS, AND CONSTRUCTION)

