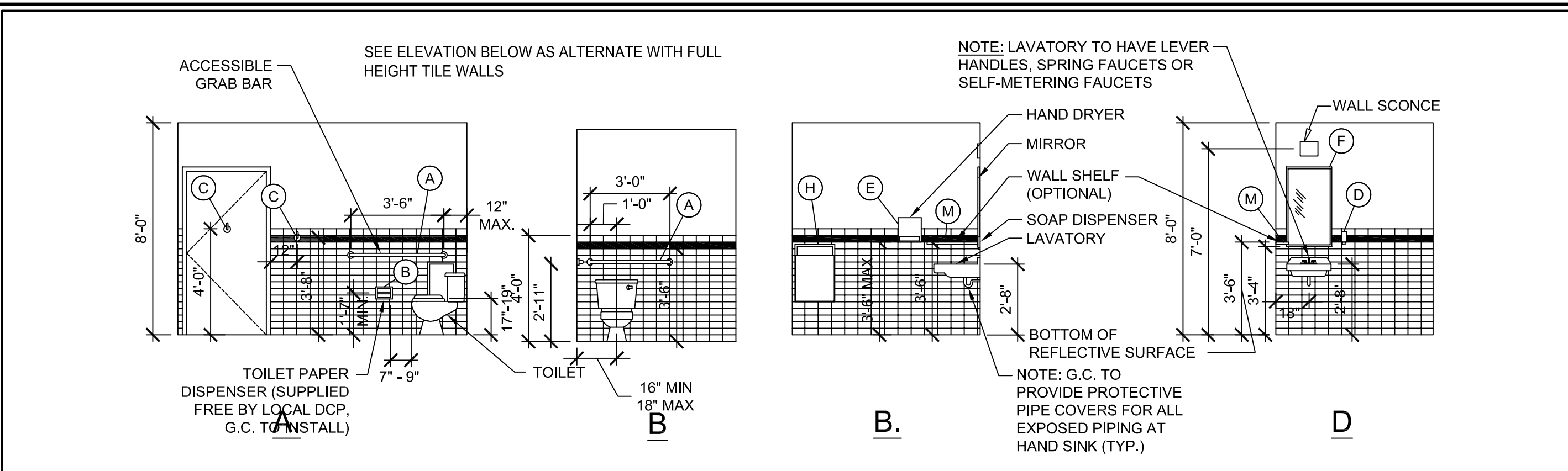


1 INTERIOR ELEVATION AT MEN'S BATHROOM
 1/4" = 1'-0" NOTE:



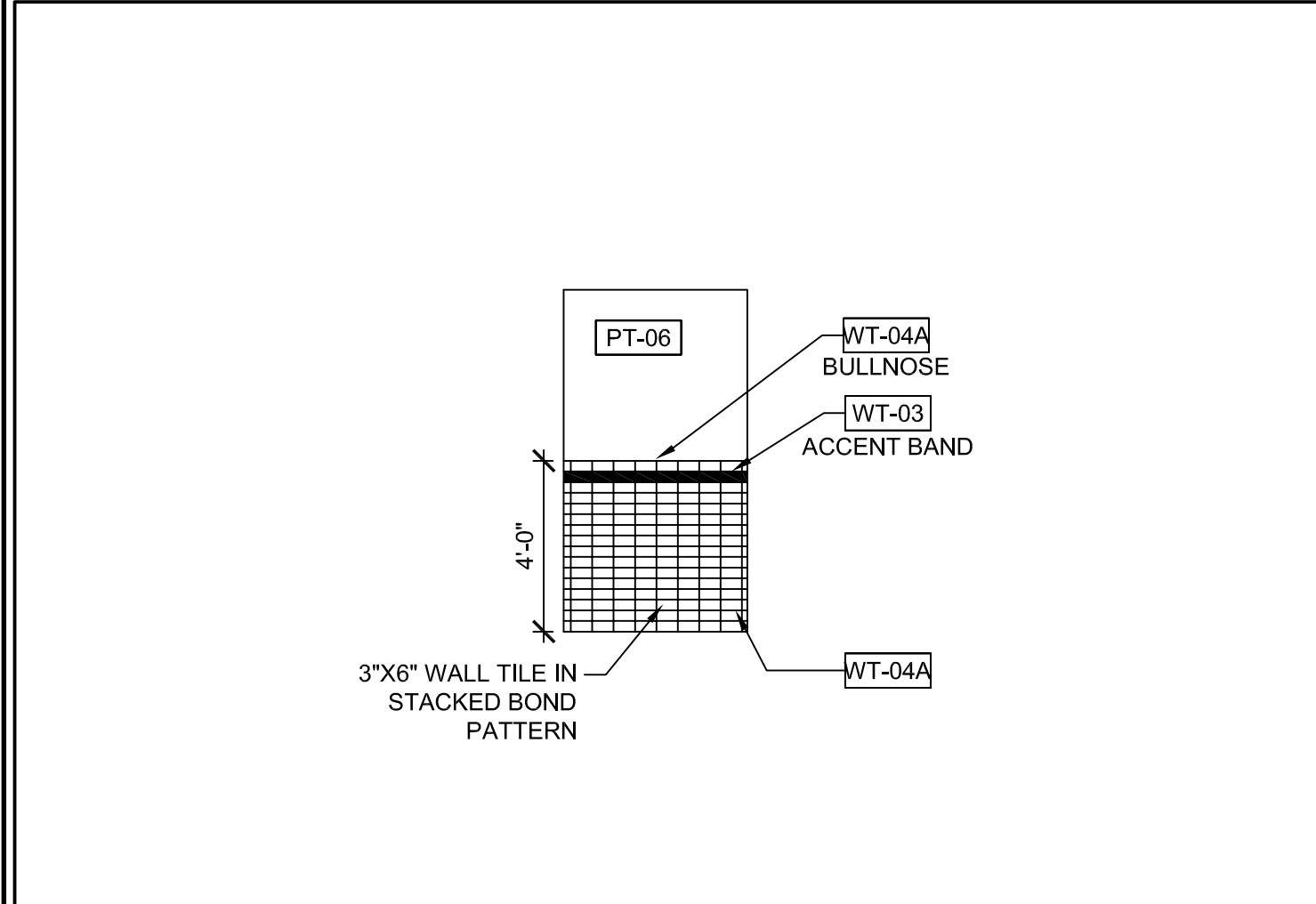
2 INTERIOR ELEVATION AT WOMENS BATHROOM
 1/4" = 1'-0" NOTE:



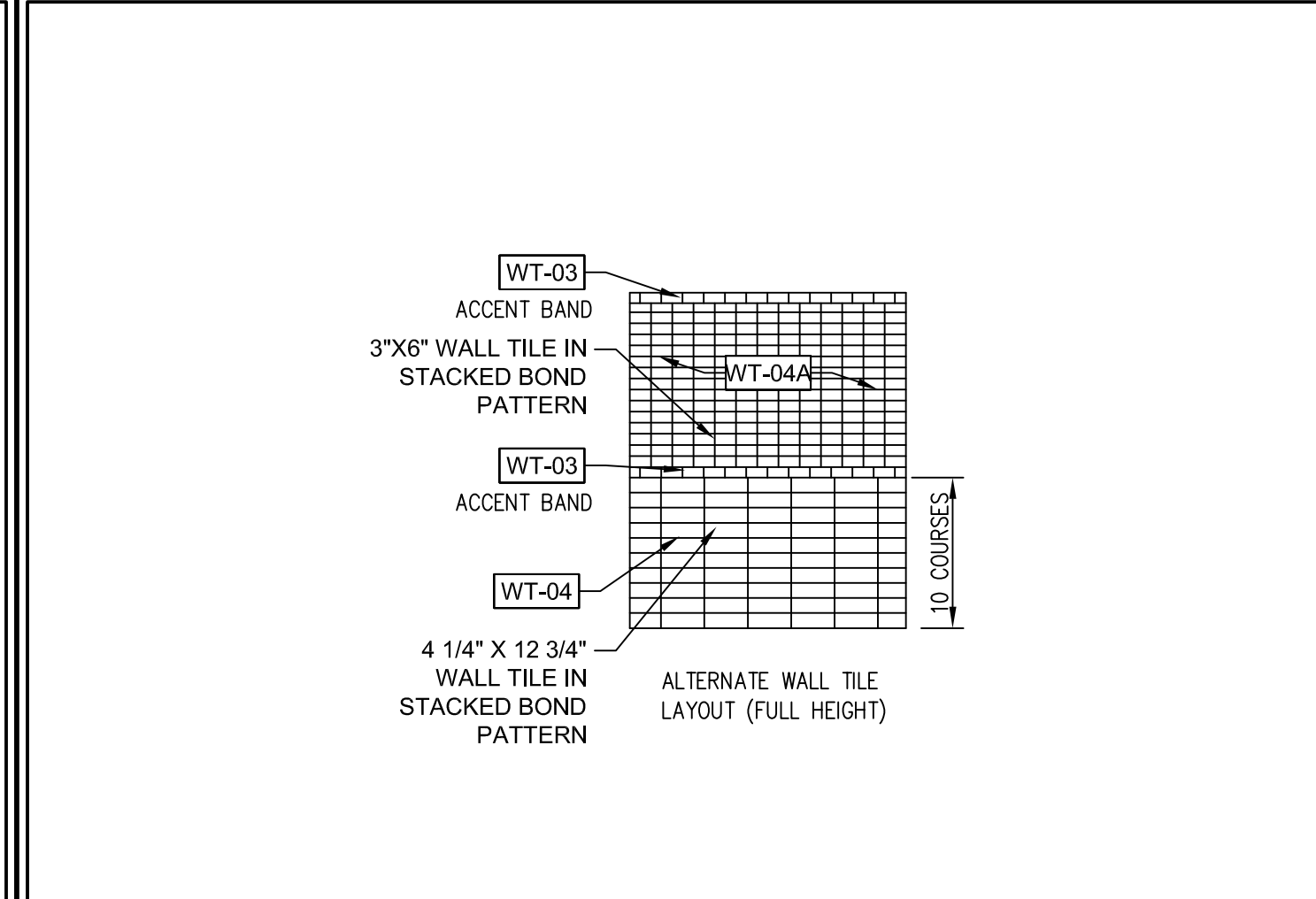
3 NOT USED
 1/4" = 1'-0" NOTE:



4 NOT USED
 1/4" = 1'-0" NOTE:



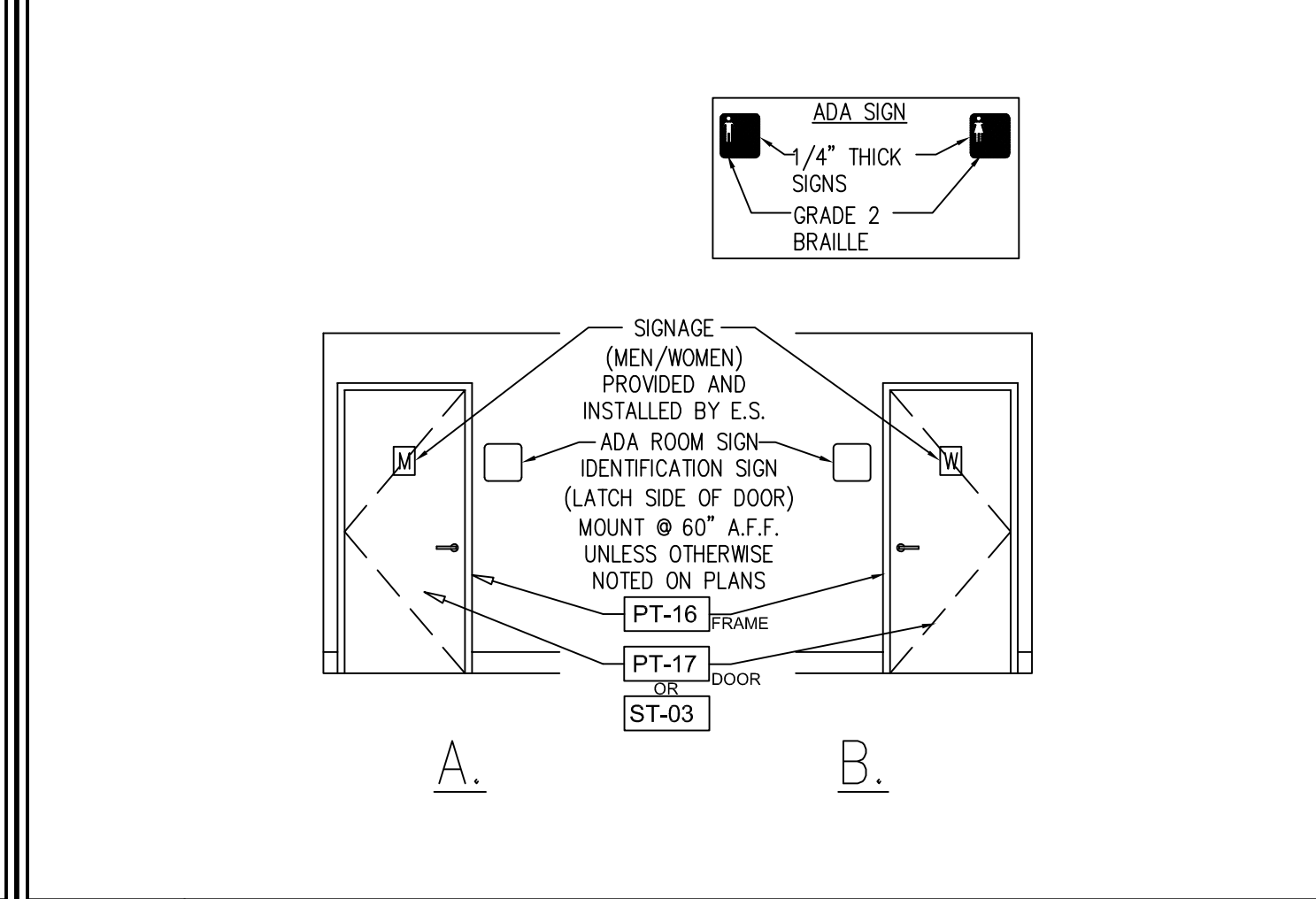
5 STANDARD BATHROOM FINISHES
 1/4" = 1'-0" NOTE:



6 ALTERNATE BATHROOM FINISHES
 1/4" = 1'-0" OPTIONAL UPGRADE



7 NOT USED
 1/4" = 1'-0" NOTE:



8 TOILET DOOR SIGNAGE
 1/4" = 1'-0" NOTE:

TOILET EQUIPMENT SCHEDULE

Checked: 12/18/2014

CODE	ITEM	MANUFACTURER & PRODUCT #	MOUNTING HEIGHT	REMARKS
A	GRAB BARS	ASI 3701-18P (18"), -36P (36") & -42P (42")	36" MAX. A.F.F. NOTE C	
B	TOILET TISSUE DISPENSER	KC PROFESSIONAL #09551	24" A.F.F. NOTE C,D	
C	COAT HOOK (ACCESSIBLE)	Bobrick #B-7671	48" A.F.F. NOTE A	
D	SOAP DISPENSER	DERMA FOAM E- KAY CHEMICAL COMPANY	NOTE A, C	
E	HAND DRYER	EXCEL DRYER INC XL-BW	NOTE A, C & E	
F	MIRROR	ASI 0620-2436	40" A.F.F. TO BOTTOM, NOTE C	
G	CHEMICAL DISPENSER	P&G	NOTE A, C	
H	WASTE RECEPTACLE	ASI 0458	41"-45" A.F.F. FOR ADA	
I	BABY CHANGING STATION	ASI 9012 HORIZONTAL	SEE INSTALLATION INSTRUCTIONS	
J	SWING-UP GRAB BAR	BOBRICK #B-4998.99	SEE INSTALLATION INSTRUCTIONS	
K	SANITARY NAPKIN DISPOSAL	ASI 0852	OPTIONAL ITEM	
L	SEAT COVER DISPENSER	ASI 0477 SM		
M	WALL SHELF	ASI 0692-516 (16")	42" A.F.F. FOR ADA; NOTE C	

NOTES

NOTE A: OPERATING CONTROLS OF ALL HAND DRYERS, SOAP DISPENSERS AND MULTI PURPOSE UNITS TO BE 42" A.F.F.

NOTE B: G.C. TO FIELD VERIFY ALL SIZES

NOTE C: PROVIDE BLOCKING FOR ALL WALL MOUNTED FIXTURES AND ACCESSORIES

NOTE D: TOILET TISSUE & PAPER TOWEL DISPENSERS SUPPLIED FREE FROM LOCAL DCP; INSTALLED BY G.C.

NOTE E: HAND DRYER TO BE ORDERED FROM NATIONAL ACCOUNT SUPPLIER, AND IS REQUIRED TO HAVE STANDARD DBI GREEN MESSAGING/BRANDING.

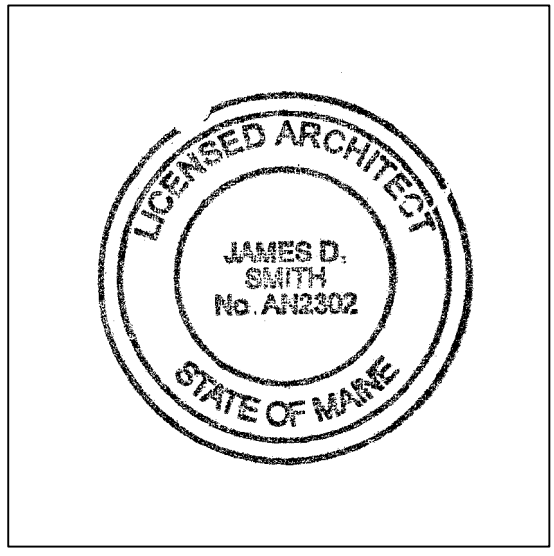
ALTERNATE TOILET EQUIPMENT

ALTERNATE HANDS-FREE TOILET EQUIPMENT IS AVAILABLE FOR OPTIONAL USE IN BATHROOMS

ALTERNATE WALL MOUNTED LAVATORY: WALL MOUNTED LAVATORY- "COMRADE" BY AMERICAN STANDARD #024.131. PROVIDE ELECTRONIC HANDWASHING FAUCET SLOAN OPTIMA #ETF-600 W/ TRANSFORMER #EL-154 AND AERATOR #ETF-1024-A

ALTERNATE TOILET: "MADERA" BY AMERICAN STANDARD- #3043.102. PROVIDE SLOAN FLUSHMETER ROYAL #111ES-S W/TRANSFORMER #EL-154; RECOMMENDED WORKING PRESSURE BETWEEN 25 PSI AT VALVE WHEN FLUSHING AND 80 PSI STATIC

OPTIONAL URINAL: "ALLBROOK" FLOWISE 0.5 GPF W/SIPHON JET BY AMERICAN STANDARD, PROVIDE FLUSH VALVE SELECTRONIC #6063.051.002 BY AMERICAN STANDARD.



JAMES D. SMITH, ARCHITECT, AIA
 35 LOTHROP'S LANE
 WEST BARNSTABLE, MA 02668
 PHONE: 508-367-8920
 JAMESDSMITH1@COMCAST.NET

DATE	SCALE	NOTED	DRAWN	ARL	JOB #	C.M.
02-29-16					D15098	R. MAHONEY

STORE LOCATION:
PORTLAND, ME
 598 WARREN AVE.

INTERIOR ELEVATIONS, WALL FINISH SCHEDULE

P.C. #: 339010
 FRESH/BREW IMAGE: "DARK/ROAST"

A-8B