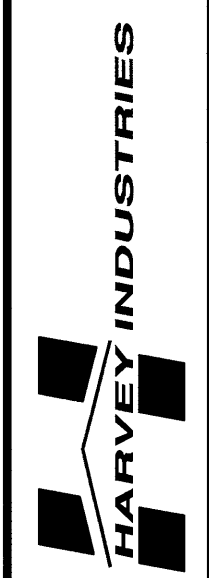


REVISION 01-21-05

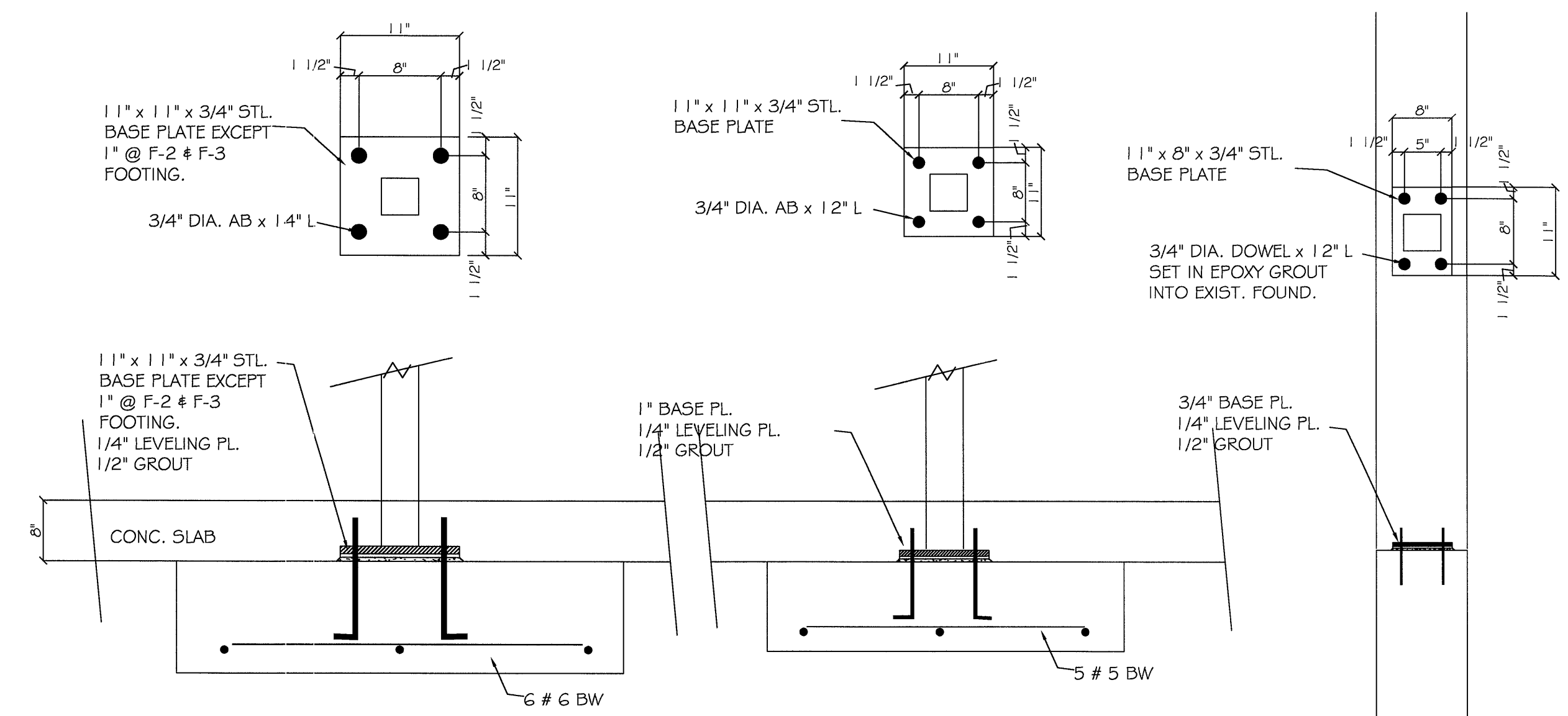
MEZZANINE FOOTINGS

WAREHOUSE FACILITY  
401 RIVERSIDE ST. PORTLAND, ME



Project no. 01-20  
drawn AVG  
checked RRD  
dated 01-21-05

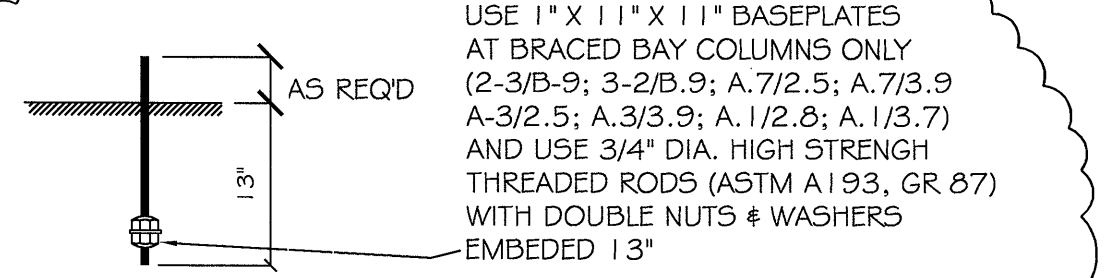
S-1.1



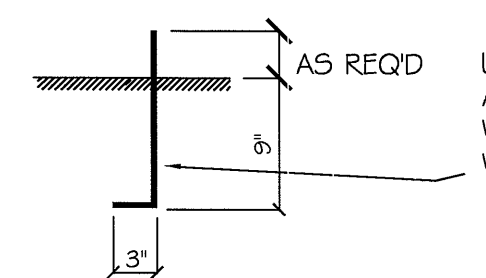
**TYPE F-1 & F-2**  
SCALE: 3/4" = 1'-0"

**TYPE F-3 & F-4**  
SCALE: 3/4" = 1'-0"

**TYPE F-5**  
SCALE: 3/4" = 1'-0"



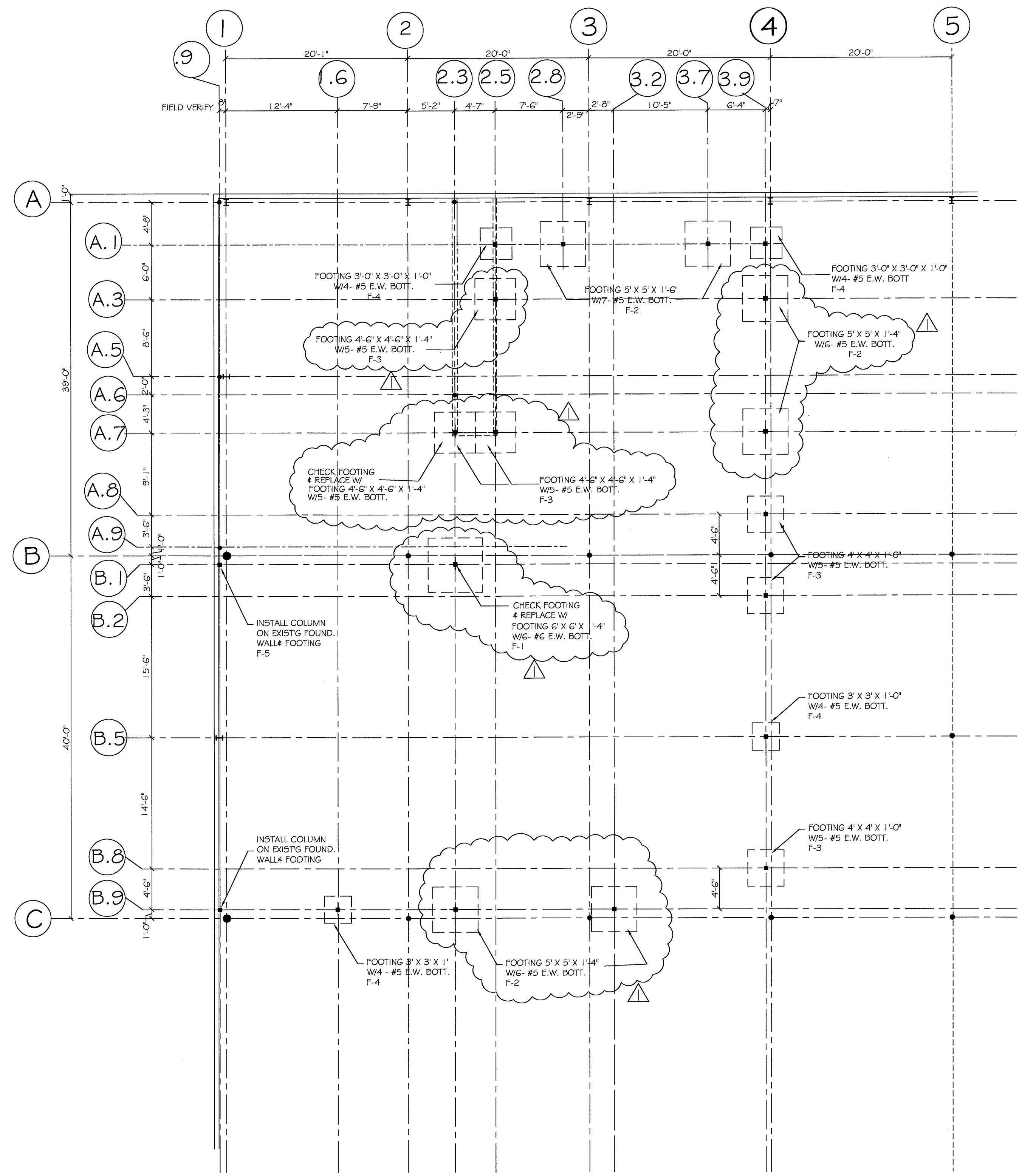
USE 11" X 11" X 1/2" BASEPLATES AT BRACED BAY COLUMNS ONLY (2-3/B-9; 3-2/B-9; A.7/2.5; A.7/3.9; A-3/2.5; A.3/3.9; A.1/2.8; A.1/3.7) AND USE 3/4" DIA. HIGH STRENGTH THREADED RODS (ASTM A193, GR B7) WITH DOUBLE NUTS & WASHERS EMBEDDED 13"



USE 3/4" X 11" X 1/2" BASEPLATES AT ALL OTHER COLUMNS (EXCEPT F-5) WITH 3/4" DIA. A36 HOOKED ANCHOR RODS WITH MIN. 9" EMBEDMENT

NOTE: ON WALLS (TYPE F-5) USE 3/4" X 8" X 1/2" BASEPLATES WITH 3/4" DIA. A36 DOWELS X 12" LONG SET IN EPOXY GROUT IN EXIST'G FOUNDATION WALL.

FOOTING SCHEDULE			
MARK	SIZE	DEPTH	REIN.
F-1	6'-0" x 6'-0"	16"	6 # 6 BW
F-2	5'-0" x 5'-0"	16"	6 # 6 BW
F-3	4'-6" x 4'-6"	16"	5 # 5 BW
F-4	3'-0" x 3'-0"	12"	5 # 5 BW
F-5	12" FD. WALL		



**NEW COLUMN FOOTING PLAN**  
SCALE: 1/8" = 1'-0"