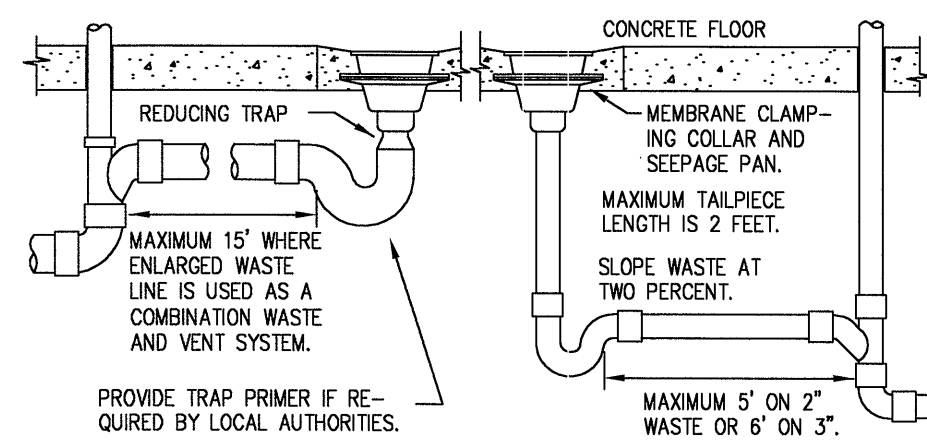


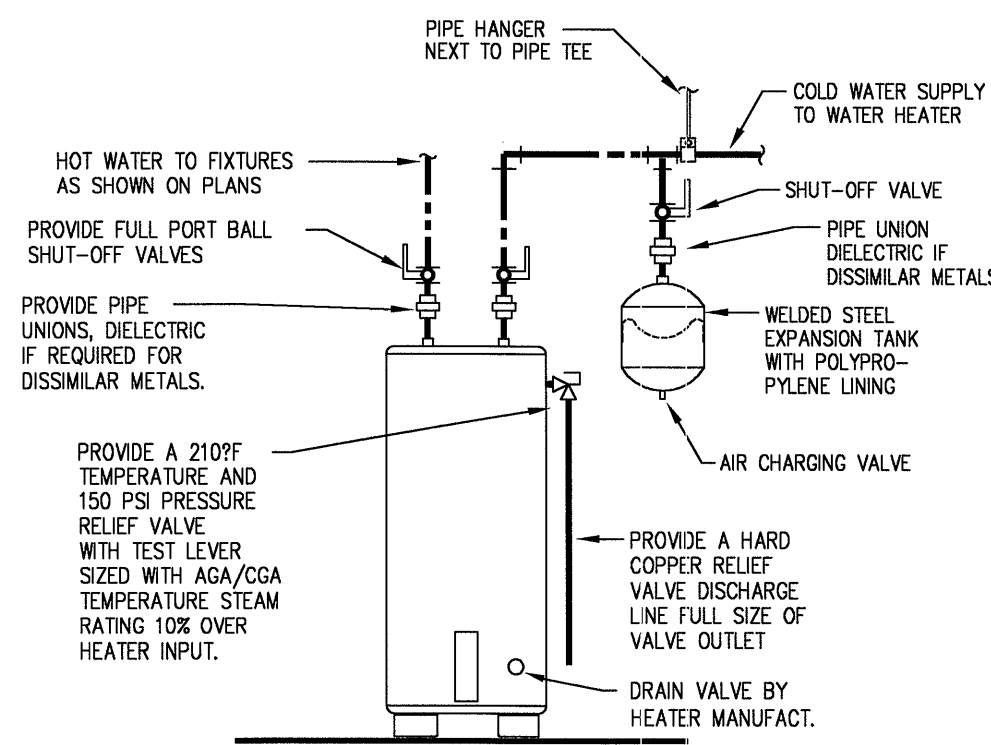
REFER TO PLANS FOR VTR PIPE SIZES AND LOCATIONS. LOCATE VTR MINIMUM THREE FEET FROM PROPERTY LINE, OR TEN FEET HORIZONTAL OR THREE FEET VERTICAL ABOVE ANY BUILDING OPENING OR FRESH AIR INTAKE, OR ONE FOOT FROM ANY VERTICAL SURFACE. PROVIDE 1/2" FIBERGLASS INSULATION WITH ALL-SERVICE JACKET ON VENT PIPE INSIDE BUILDING WITHIN TEN FEET OF VENT THRU ROOF LOCATION. AT CONTRACTOR'S OPTION, HE MAY USE A NEOPRENE OR FLEXIBLE PVC COUPLING CLAMPED TO FLASHING AND PIPE WITH SS SCREW CLAMPS. VERIFY FLASHING AND COUNTERFLASHING WITH ROOFING CONTRACTOR.

VENT THROUGH ROOF DETAIL
NO SCALE



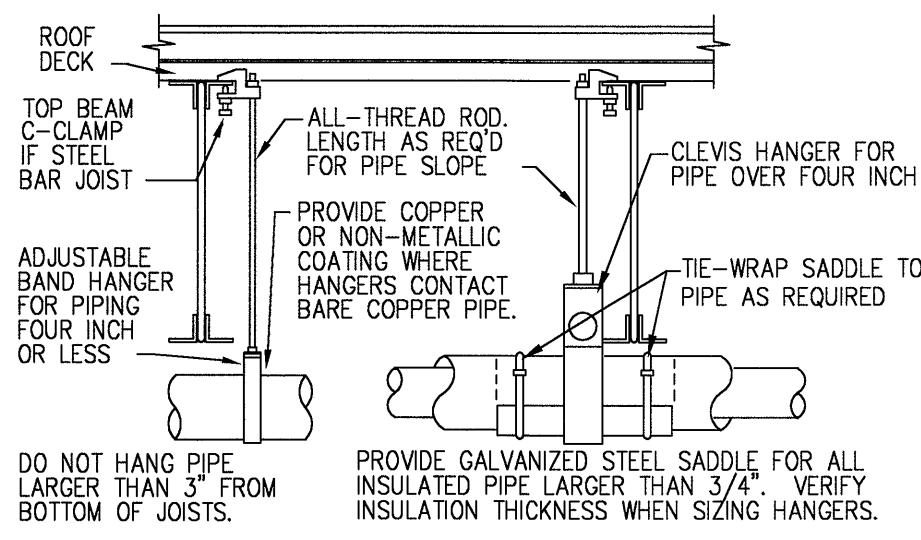
LOCATE FLOOR/HUB DRAINS WHERE SHOWN ON DIMENSIONED ARCHITECTURAL PLAN. IF FLOOR STRUCTURE INTERFERES WITH FLOOR/HUB DRAIN, MOVE SIDWAYS IF POSSIBLE, OTHERWISE MOVE BACK. ALWAYS LOCATE WHERE EASILY ACCESSIBLE, BUT NOT IN FOOT TRAFFIC. IF SITUATION IS FLOOR SLAB ON GRADE, PROVIDE BACKFILL PER SPECIFICATIONS. IF CONCRETE FLOOR IS NOT EXISTING, SET DRAIN IN PLACE AND POUR AROUND IT. IF CONCRETE FLOOR IS EXISTING, SAW CUT OR CORE DRILL IT. SET DRAIN BODY IN PLACE AND POUR AROUND IT. RECESS TOP OF FLOOR SINKS 1/2" BELOW FLOOR SURFACE AND SLOPE FLOOR TO IT.

FLOOR DRAIN DETAIL
NO SCALE



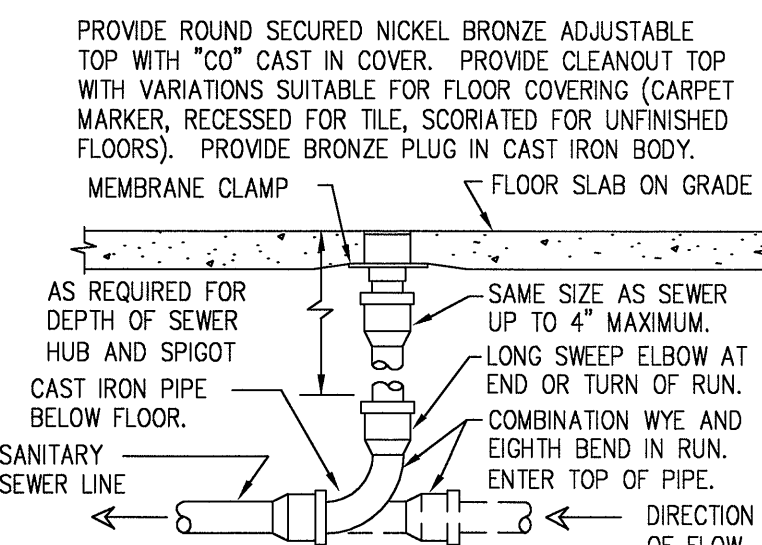
REFER TO SPECIFICATIONS AND PLUMBING FIXTURE SCHEDULE. PIPING ARRANGEMENT SHOWN IS SCHEMATIC. ADJUST TO SUIT FIELD CONDITIONS. REFER TO FLOOR PLANS FOR PIPE SIZES. SET HEATER THERMOSTAT AT 115°F. PROVIDE SEISMIC STRAP OR BRACING IF/AS REQUIRED BY LOCAL AUTHORITIES.

ELECTRIC WATER HEATER
NO SCALE



PROVIDE UPPER ATTACHMENT AS REQUIRED FOR CASES NOT SHOWN HERE. DO NOT INSTALL HANGER INSIDE INSULATION OR OTHERWISE PENETRATE VAPOR BARRIER. DO NOT HANG ONE PIPE FROM ANOTHER EXCEPT IN CHASES. TRAPEZE HANGERS MAY BE USED FOR MULTIPLE PARALLEL PIPES. HANGER SPACING FOR PIPE SIZE COPPER: 4"=12' 3"=11' 2-1/2"=10' 2"=9' 1-1/2"=8' 1-1/4"=7' 1"=6' 3/4"=5' 1/2"=5'. CAST IRON: 10' AND ONE NEAR ALL JOISTS. STEEL: 4"=14' 3"=12' 2-1/2"=11' 2"=10' 1-1/2"=9' 1"=7' 3/4"=6' 1/2"=5'. LOCATE HANGERS AS CLOSE AS POSSIBLE TO TURNS AND TEES OF PIPE. PROVIDE SUPPLEMENTARY STEEL STRUTS BETWEEN JOISTS IF REQUIRED. LOCATE HANGERS TO TAKE LOAD OFF OF EQUIPMENT CONNECTIONS. ANCHOR WATER PIPE AGAINST SWAYING DUE TO CHANGES IN WATER VELOCITY. PROVIDE SEISMIC BRACING IF/AS REQUIRED BY LOCAL AUTHORITIES. CHAINS OR PERFORATED STRAP IRON OR STEEL IS NOT ACCEPTABLE. REFER TO CODES FOR FURTHER INFORMATION.

Pipe Hanger Detail
No Scale



FLOOR CLEANOUT DETAIL
NO SCALE

NO SUBSTITUTION ALLOWED ON PLUMBING FIXTURES		PLUMBING FIXTURE SCHEDULE										
FIXTURE SYMBOL	FIXTURE	DESCRIPTION	MANUFACTURER	MODEL NO.	W	V	CW	HW	COLOR			
	P1	ELONGATED TANK TYPE TOILET	KOHLER	"WELLWORTH" K-3422	3"	2"	1/2"	-	ICE GREY (95)			
		FURNISH WITH: ELONGATED OPEN FRONT SEAT, 1/2"x3/8" CHROME BRASS ANGLE STOP, 3/8" CHROME COPPER SUPPLY.										
	P2	(ADA) ELONGATED TANK TYPE TOILET	KOHLER	"HIGHLINE" K-3427	3"	2"	1/2"	-	ICE GREY (95)			
		FURNISH WITH: ELONGATED OPEN FRONT SEAT, 1/2"x3/8" CHROME BRASS ANGLE STOP, 3/8" CHROME COPPER SUPPLY.										
	P3	(ADA) 19" COUNTER SET LAVATORY	KOHLER	PENNINGTONK-2196-4	1-1/4"	1-1/2"	1/2"-3/8"	1/2"-3/8"	ICE GREY (95)			
		FURNISH WITH: GROHE METERING FAUCET "CONTROPRESS" 36 223 000 WITH UNDER DECK MIXING VALVE, KOHLER K-13885 OFFSET TRAP W/PADDING, 1/2"x3/8" BRASS ANGLE STOPS, 3/8" OPPER SUPPLIES										
	P4	URINAL	KOHLER	BARDONK-4960-T	2"	2"	3/4"	-	ICE GREY (95)			
		FURNISH WITH: TOTO TMU1HNC-12 (1) GALLON FLUSH VALVE, J.R. SMITH 0636 WALL CARRIER.										
	P5	SERVICE/MOP SINK	FIAT	MSB 2424	2"	2"	1/2"	1/2"				
		FURNISH WITH: 830-AA SERVICE FAUCET, 832-AA HOSE & BRACKET, 889-CC MOP HANGER.										
	P6	21" X19" STAINLESS STEEL SINK	JUST	"STYLIST" SL-2119-A-GR	1-1/2"	1-1/2"	1/2"-3/8"	1/2"-3/8"				
		FURNISH WITH: GROHE EURODISC 33-949-000 FAUCET W/SPRAY, 10" 2 HOLE EURO ESCUTCHEON 07-552-000, STRAINER, 1/2"x3/8" BRASS ANGLE STOPS.										
	P7	(ADA) WATER COOLER	HALSEY TAYLOR	HTV8-Q	1-1/4"	1-1/2"	1/2"-3/8"	-				
		FURNISH WITH: STANDARD FINISH, IN-LINE WATER FILTER										
	P8	FLOOR DRAIN	J.R. SMITH	2010-B	2"	2"	-	-				
		FURNISH WITH: 5" SQUARE POLISHED BRONZE STRAINER TOP.										
	P9	WALL FAUCET	WOODFORD	24P-1/2	-	-	1/2"	-				
		FURNISH WITH: LOOSE "T" HANDLE										
	P10	ELECTRIC WATER HEATER	A.O. SMITH	EES-30D	-	-	3/4"	3/4"				
		FURNISH WITH: PRESSURE/TEMPERATURE RELIEF VALVE, 30 GALLON, 4500 WATTS, 94 LBS EMPTY, 300 LBS FULL.										
	P11	NON-FREEZE WALL HYDRANT	WOODFORD	MODEL 60P	-	-	1/2"	-				
		FURNISH WITH: LOOSE "T" HANDLE										

1. FIXTURE SCHEDULE: NO EQUALS

S.S.E. SOUTH SHORE ENGINEERING TEAM INC.
ELECTRICAL & MECHANICAL ENGINEERS - Phone: 781-331-4660 Fax: 781-828-4405 - E-mail: SSETEAM@aol.com
720 WASHINGTON STREET - HANOVER, MA - COLLEGE PARK - YALE BUILDING

DION & SOKOL INC ARCHITECTS

project no. 01-20
drawn GMP
checked CJW/JPS
dated 01-21-2003

P-3

PLUMBING SCHEDULES & DETAILS

WAREHOUSE FACILITY
401 RIVERSIDE ST. PORTLAND, ME

revisions:
REV# 1 - 01-23-03

SUBURBY MA