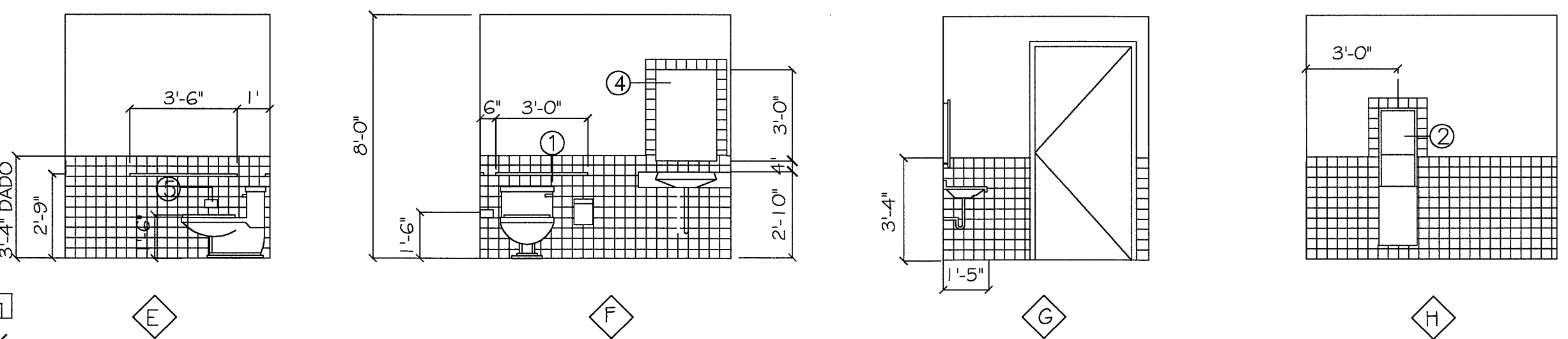
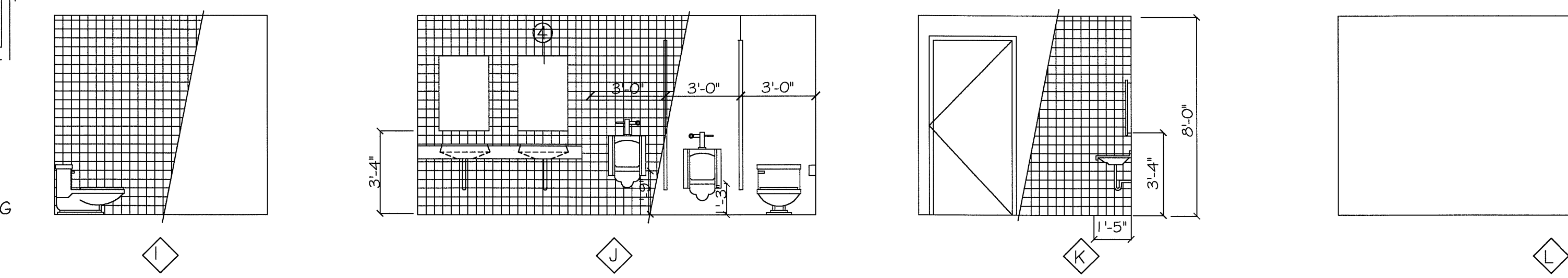
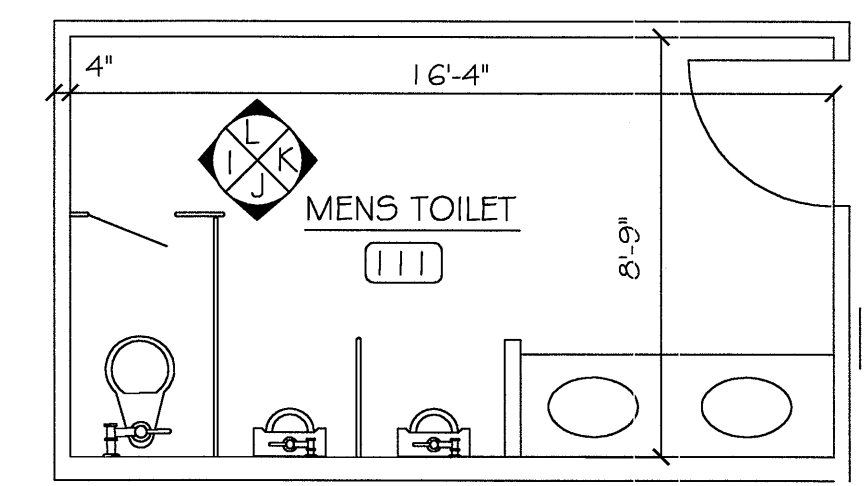


MEN'S HANDICAP TOILET - 107 4" x 4" CERAMIC TILE DADO
SCALE: 1/4" = 1'-0"

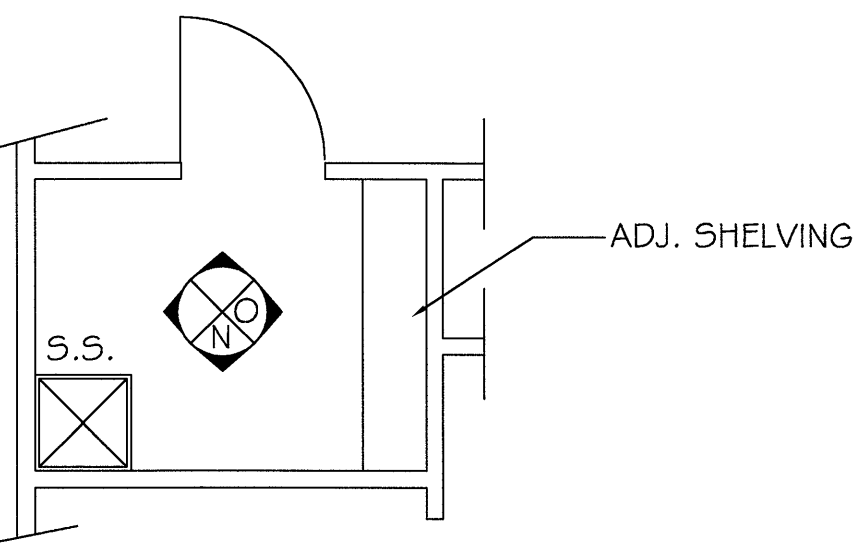
SEE SHEET C-2 FOR FLOOR & WALL TILE PATTERN



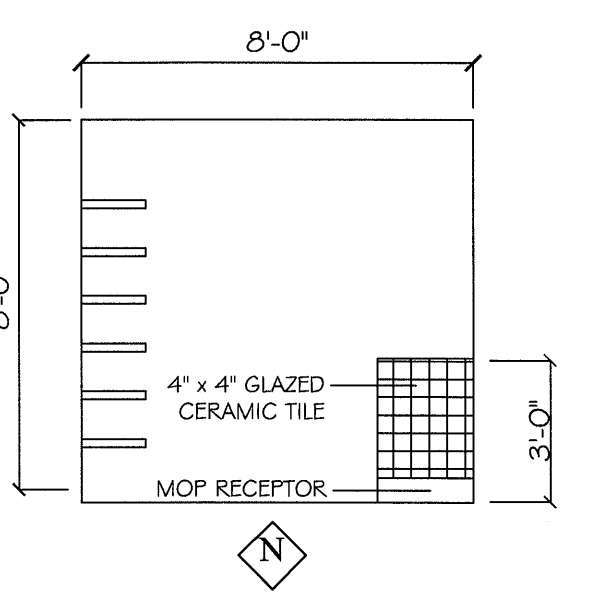
WOMEN'S HANDICAP TOILET - 108 4" x 4" CERAMIC TILE DADO
SCALE: 1/4" = 1'-0"



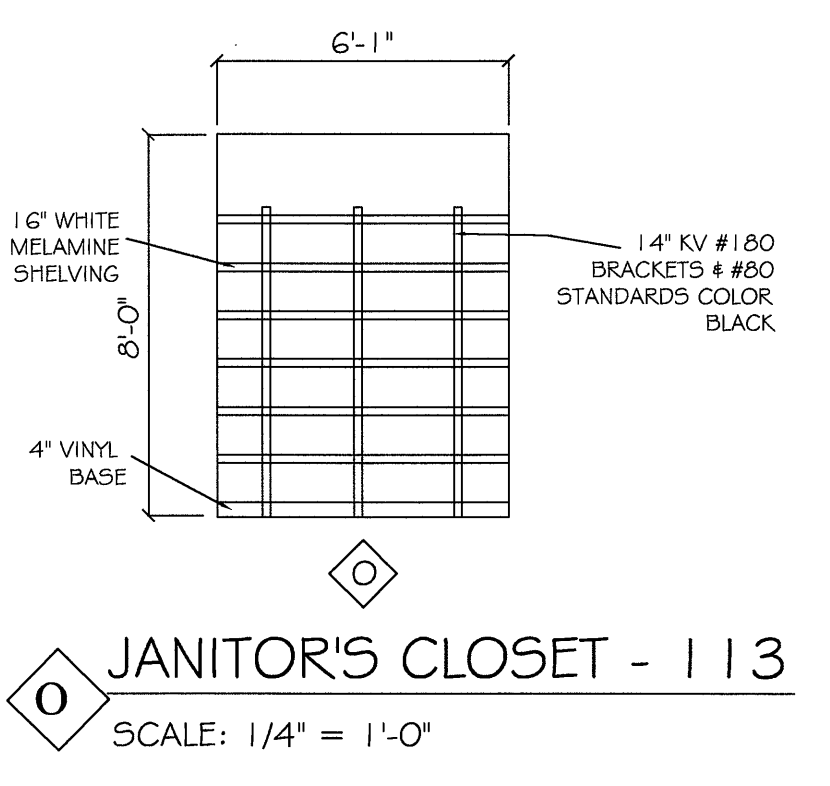
MEN'S TOILET (EMPLOYEE) - 111 4" x 4" CERAMIC TILE DADO
SCALE: 1/4" = 1'-0"



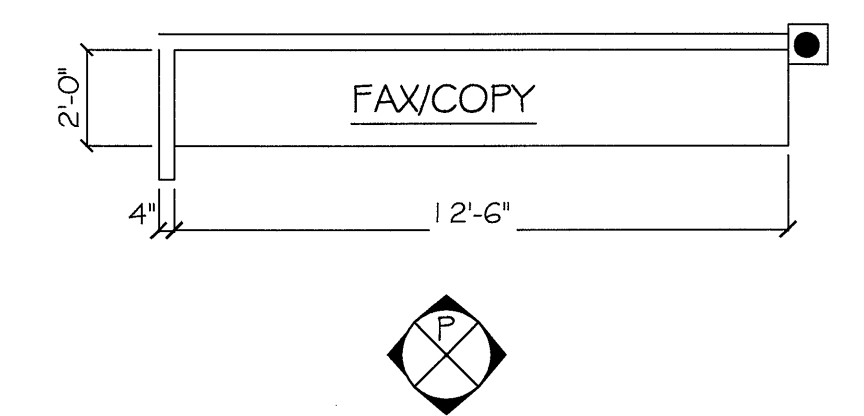
JANITOR'S CLOSET - 113
SCALE: 1/4" = 1'-0"



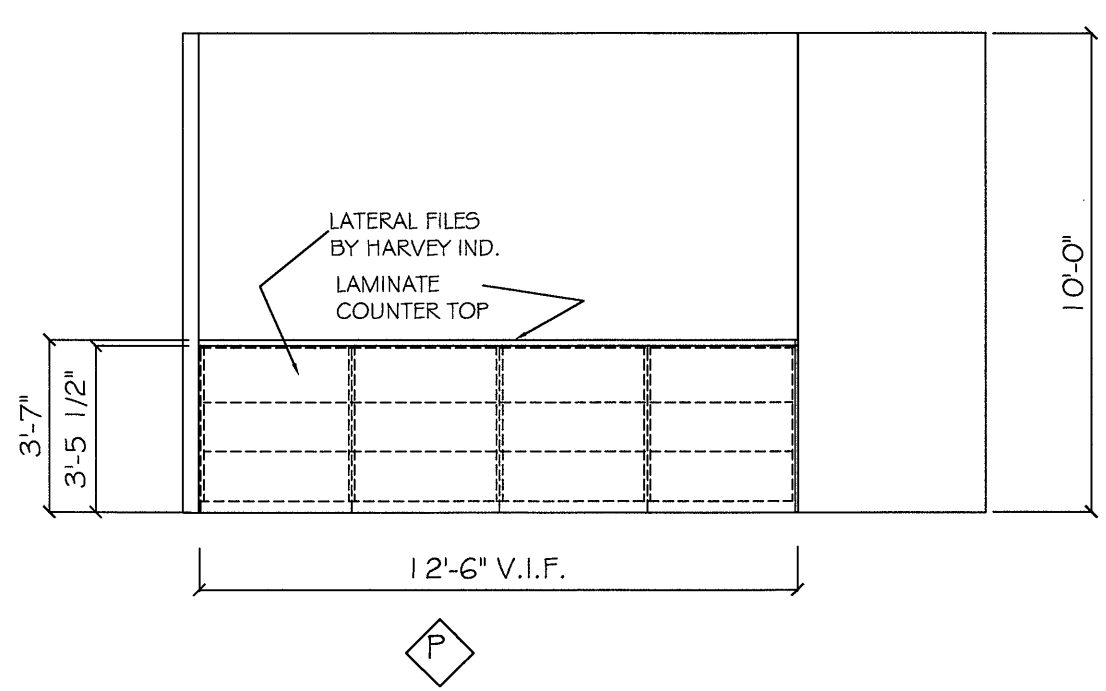
JANITOR'S CLOSET - 113
SCALE: 1/4" = 1'-0"



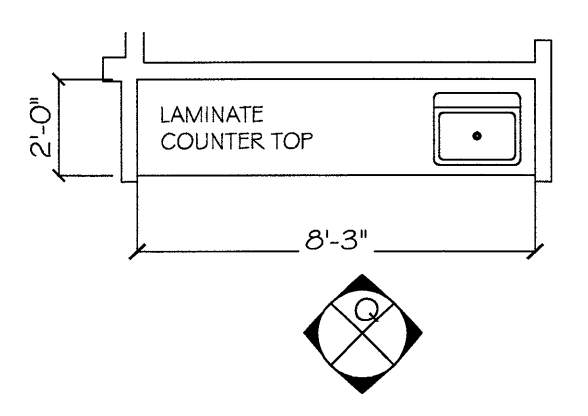
JANITOR'S CLOSET - 113
SCALE: 1/4" = 1'-0"



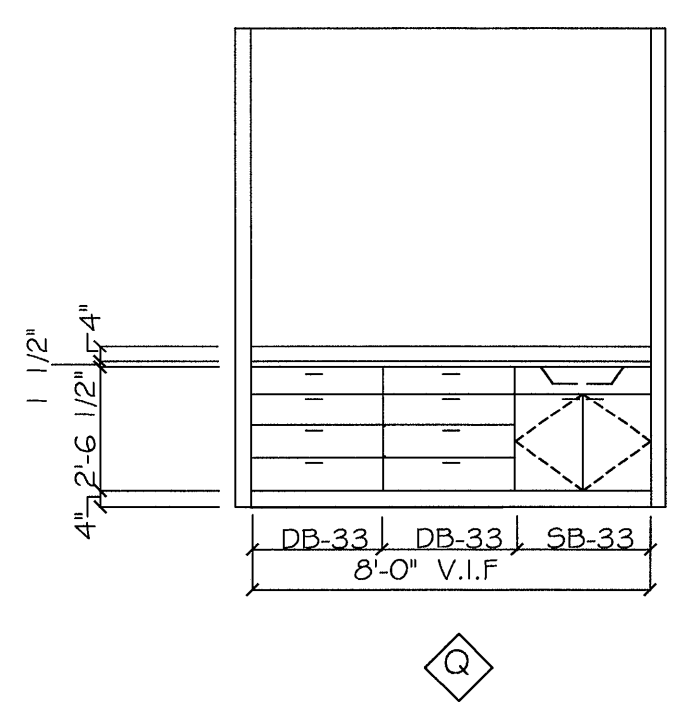
PLAN - FAX-COPIER COUNTER
SCALE: 1/4" = 1'-0"



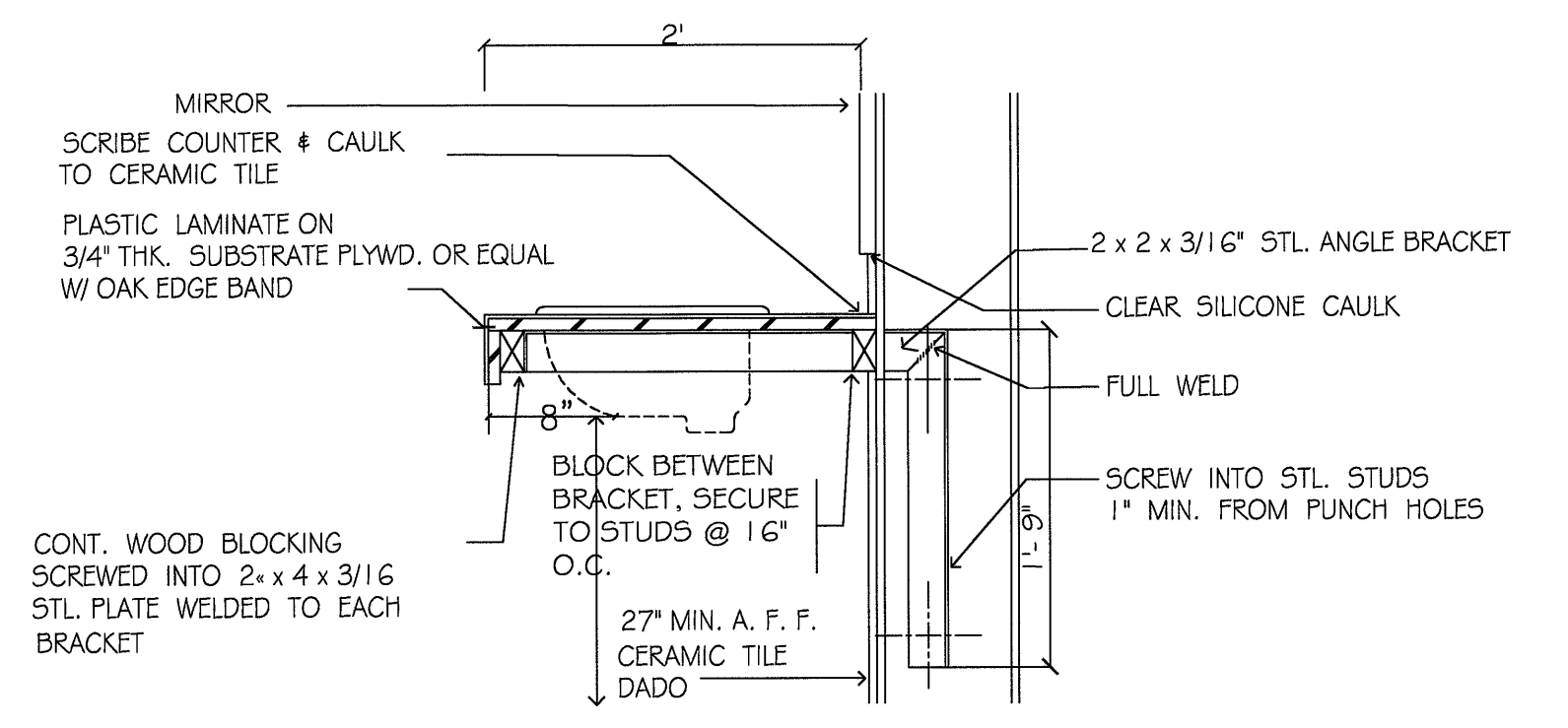
FAX-COPIER COUNTER
SCALE: 1/4" = 1'-0"



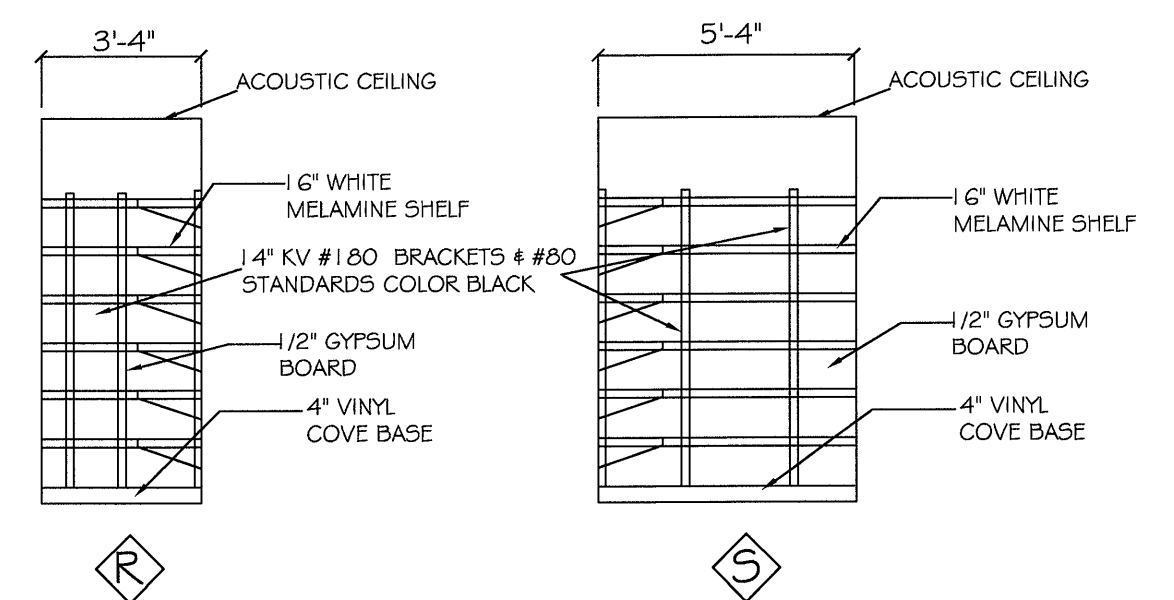
PLAN - COFFEE COUNTER
SCALE: 1/4" = 1'-0"



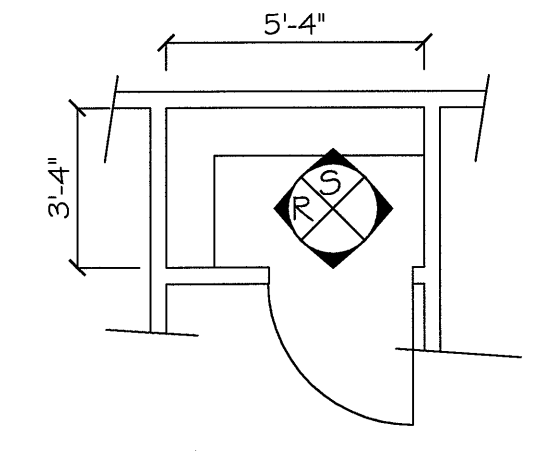
COFFEE COUNTER
SCALE: 1/4" = 1'-0"



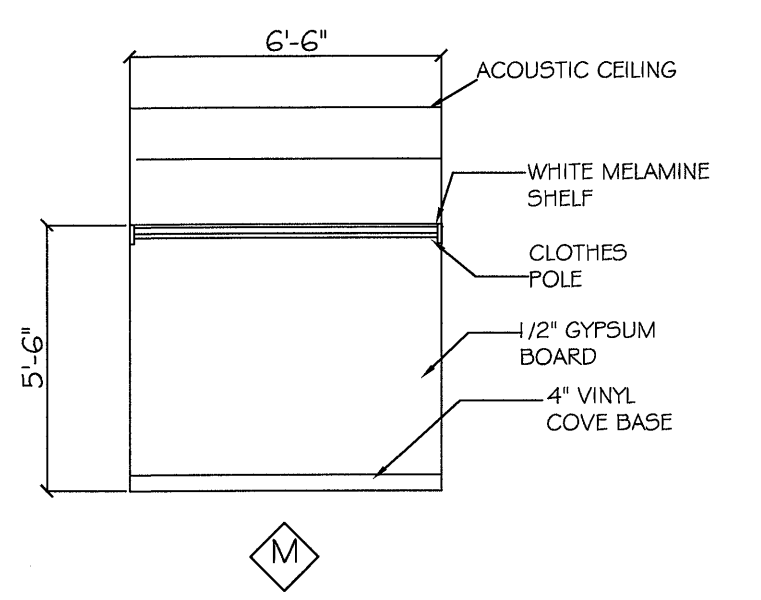
TYPICAL LAVATORY COUNTERTOP DETAIL
SCALE: 1" = 1'-0"



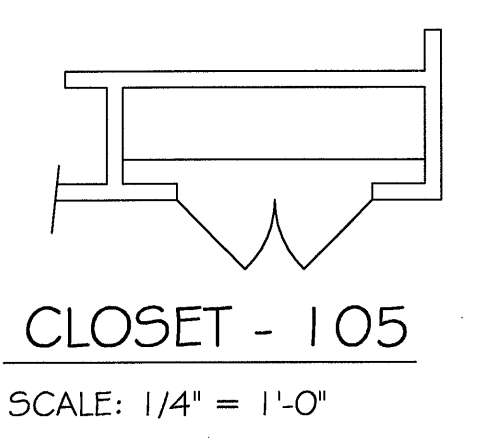
CLOSET - 106
SCALE: 1/4" = 1'-0"



CLOSET - 106
SCALE: 1/4" = 1'-0"



CLOSET - 105
SCALE: 1/4" = 1'-0"



CLOSET - 105
SCALE: 1/4" = 1'-0"

- BARRIER FREE TOILET ROOM NOTES**
- All Toilet Room fixture locations shall comply with the American Disabilities Act, REGULATION 508-16, and the State of R.I. Building Code.
 - Refer to Sheet A-7.3 for Toilet Room accessory schedule and to Plumbing Sheet for plumbing fixture schedule.
 - Provide 2x10 F.R. backing at all fixture mounting locations.
 - Provide insulated pipe sleeve at exposed lavatory piping.

TOILET ROOM ACCESSORY SCHEDULE				
No.	DESCRIPTION	MODEL No.	QTY	REMARKS
1	BOBRICK GRAB BARS 1-1/4" WITH POLISHED ENDS & PEENED GRIP	B - 550 x 42"	4	MOUNTING HGT. 33" TO 36"
2	BOBRICK RECESSED PAPER TOWEL DISP. AND WASTE RECEPTACLE FOR 4" WALLS	B - 3944	3	MOUNTING HGT. (40" MAX) FOLDED PAPER TOWEL
3	BOBRICK DOUBLE ROBE HOOK	B - 672	3	MOUNTING HGT 54"
4	BOBRICK 24" x 36" STAINLESS STL CHANNEL FRAME MIRROR	24" x 36"	4	MOUNTING HGT 40" MAX
5	BOBRICK TOILET PAPER DESPENSER	B - 685	3	SURFACE MOUNTED
6	GLOBAL - LAMINATED PLASTIC TOILET PARTITION	EMPIRE-CEILING HUNG	1	WITH ROBE HOOK AT DOOR
7	BOBRICK SANITARY NAPKIN DISPOSAL	B - 270	1	

NOTE: PROVIDE 1 1/2 GA. x 4" BACKING CHANNELS AT ALL FIXTURE MOUNTING LOCATIONS

TOILET RM. DETAILS

WAREHOUSE FACILITY
401 RIVERSIDE ST. PORTLAND, ME.

HARVEY INDUSTRIES

Project no. 01-20
drawn AMG
checked RSD
dated 01-21-05

A-7.3